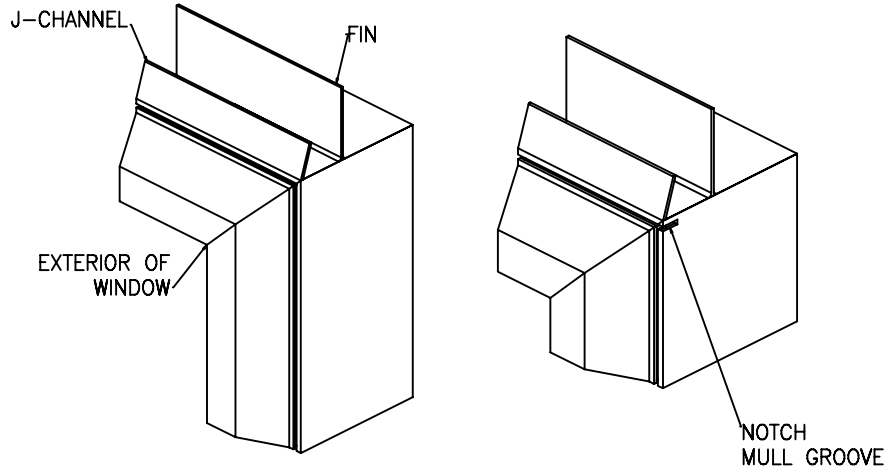
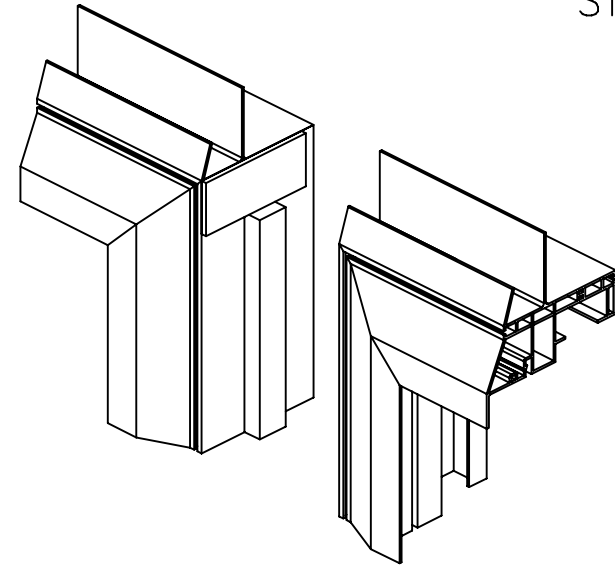


STEP 1



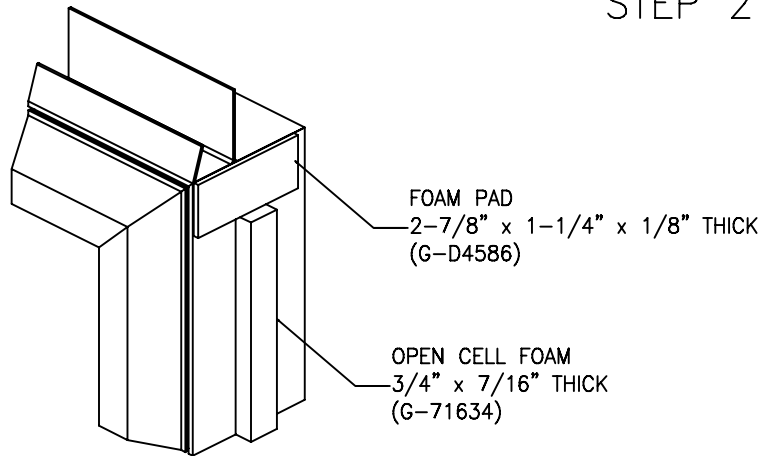
REMOVE NAILING FINs & J-CHANNELS FROM UNITS TO BE MULLED AS SHOWN. NOTCH MULLION GROOVES AT TOP FOR BRICKMOULD INSTALLATION.

STEP 3



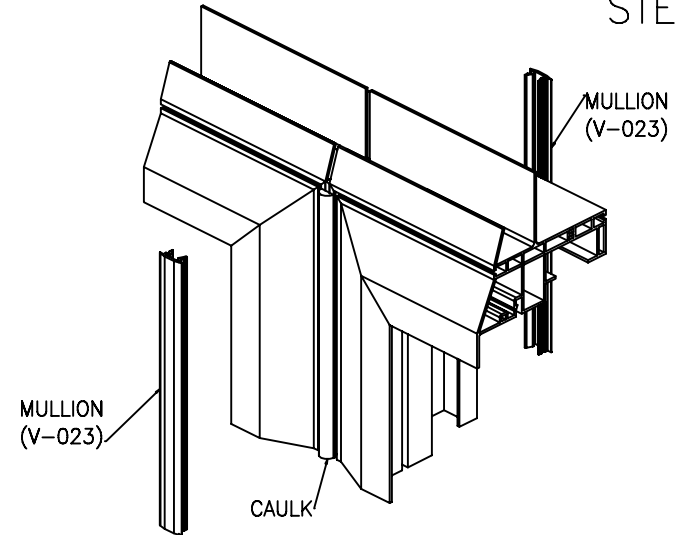
ALIGN FRAMES.

STEP 2



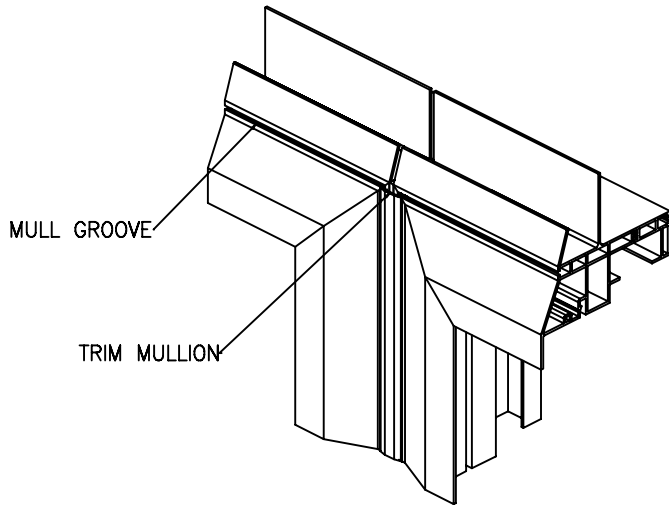
APPLY (1) FOAM PAD AT TOP AND BOTTOM AS SHOWN. (APPLY PADS TO ONE WINDOW ONLY).
 APPLY FULL LENGTH OPEN CELL FOAM BETWEEN FOAM PADS. (APPLY FOAM TO ONE WINDOW ONLY).

STEP 4



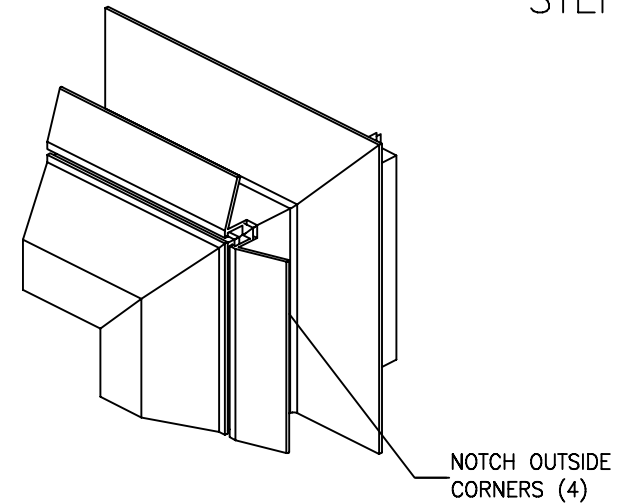
SLIDE FRAMES TOGETHER AND APPLY INSIDE MULLION. APPLY CAULK ALONG JOINT BETWEEN FRAMES. APPLY OUTSIDE MULLION.

STEP 5



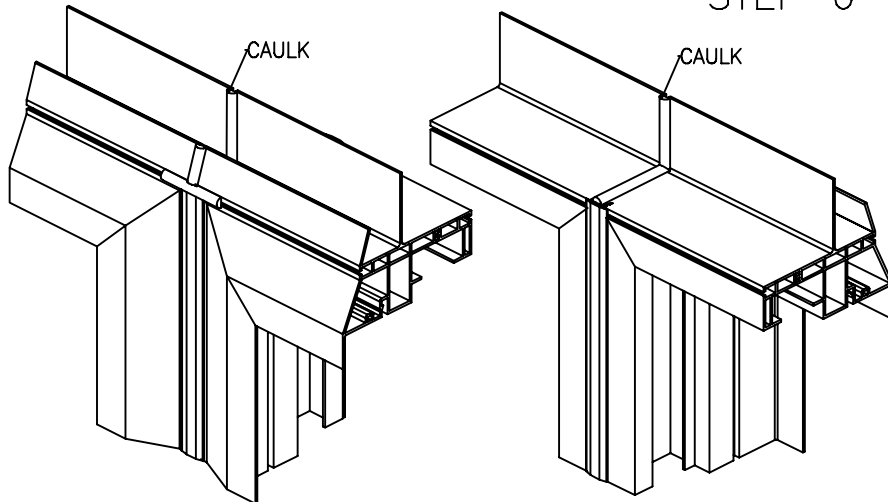
TRIM OUTSIDE MULLION EVEN WITH MULL GROOVE AT THE TOP.
 (TO ALLOW BRICKMOULD TO BE INSTALLED).
 TRIM OUTSIDE MULLION EVEN WITH THE SILL AT THE BOTTOM.

STEP 7



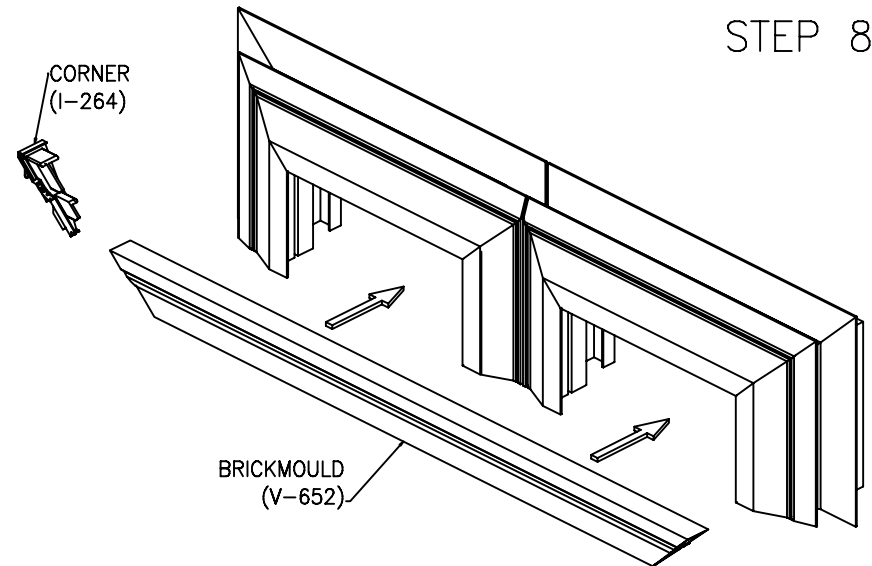
PREPARE THE WINDOWS FOR BRICKMOULD INSTALLATION BY NOTCHING OUT THE EDGES OF THE MULL GROOVES AND THE J-CHANNEL ON ALL (4) CORNERS ON THE PERIMETER OF THE WINDOW.

STEP 6



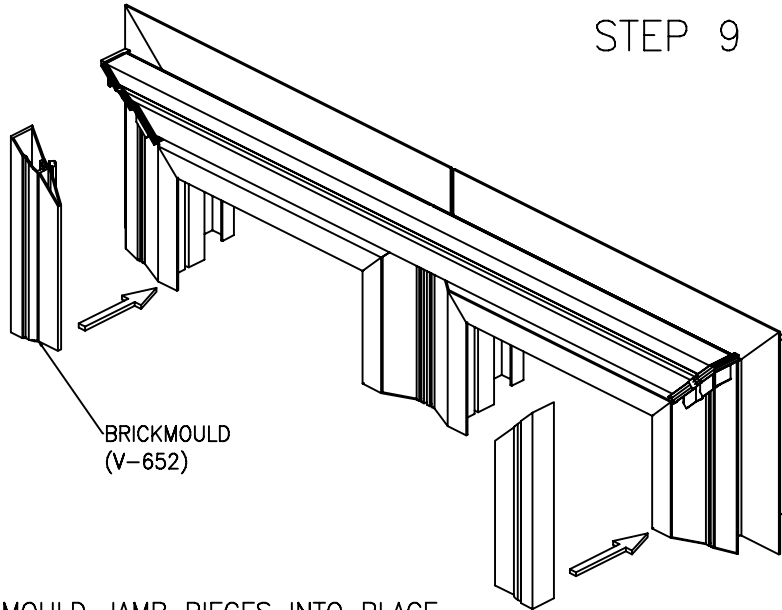
IMPORTANT: USE A QUALITY SILICONE WHEN CAULKING.
 APPLY CAULK ACROSS JOINT WHERE FRAMES MEET. (HEAD & SILL)
 APPLY CAULK ACROSS JOINT WHERE NAILING FIN MEET.
 APPLY CAULK INTO MULL GROOVES AND ACROSS TOP OF MULL.

STEP 8



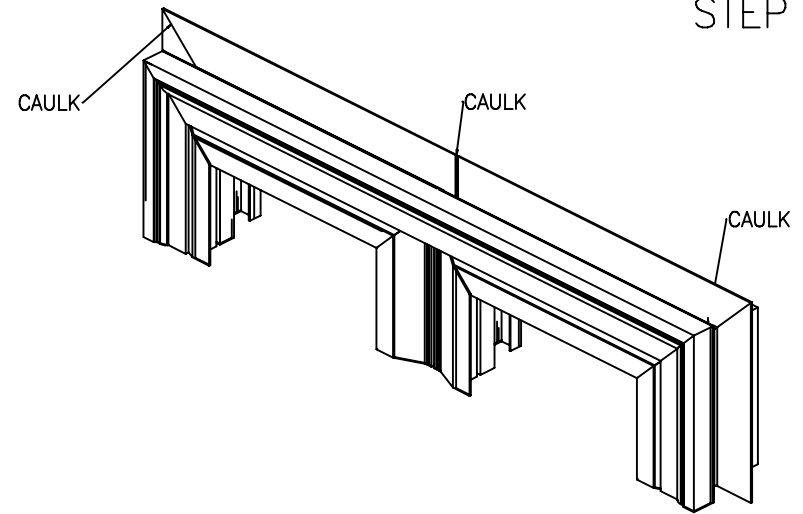
TAKE FULL LENGTH PIECE OF BRICKMOULD, WITH CORNER ON EACH END, FOR ACROSS THE HEAD OF THE TWIN UNIT. ONCE PIECE IS CENTERED ON WINDOWS SNAP IT INTO THE MULL GROOVE.

STEP 9



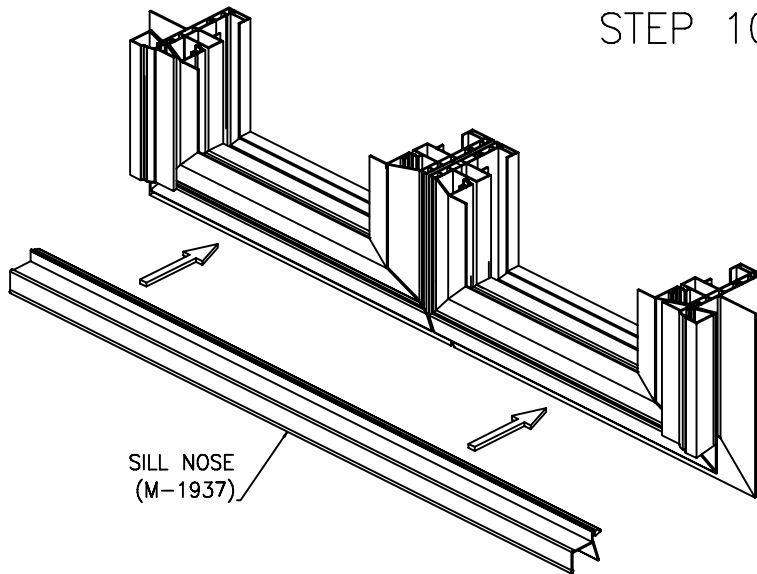
SNAP BRICKMOULD JAMB PIECES INTO PLACE AT APPROXIMATELY THE MID POINT OF THE WINDOW JAMB TO AVOID INTERFERENCE WITH THE HEAD PIECE. ONCE ATTACHED SLIDE UP TO HEAD.

STEP 11



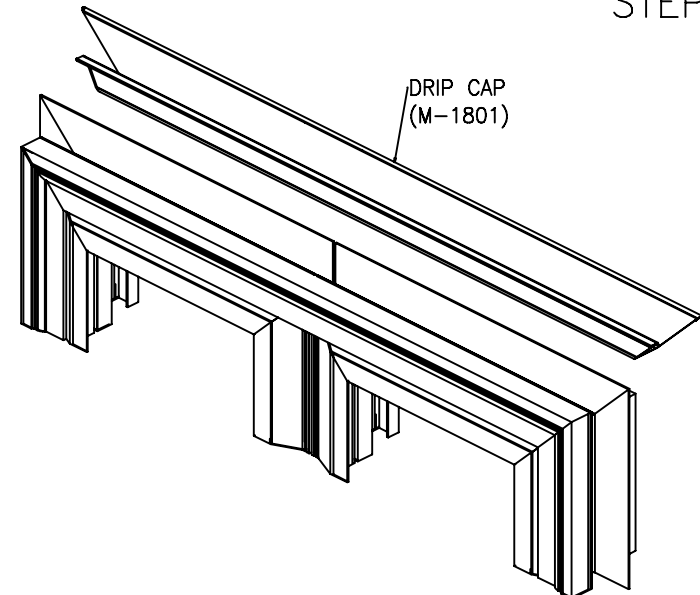
IMPORTANT: USE A QUALITY EXTERIOR GRADE SILICONE CAULK. APPLY A 1/4" BEAD OF CAULK ACROSS HEAD OF BOTH WINDOWS AS SHOWN BEFORE APPLYING DRIP CAP (APPROX. 1/4" AWAY FROM OUTSIDE EDGE OF FRAME). APPLY CAULK ACROSS ENDS OF FRAMES AND UP FINIS.

STEP 10



WHEN JAMBS ARE IN PLACE WITH THE HEAD PIECE, APPLY SILL NOSE PIECE BY SNAPPING IT INTO THE MULL GROOVE ACROSS THE SILL OF THE TWIN WINDOW UNIT.

STEP 12



APPLY A CONTINUOUS DRIP CAP TO THE HEAD.