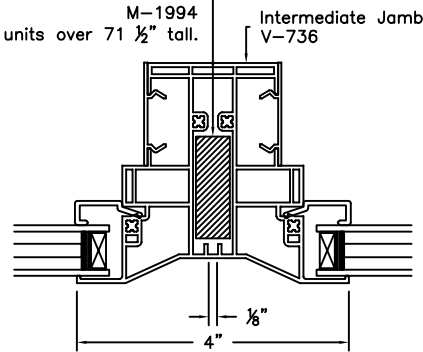



Wood Reinforcement
WD000004
*Used in units 59 3/4"-71 1/2" tall.
Aluminum Reinforcement
M-1994
**Used in units over 71 1/2" tall.



				MATERIAL:		 650 WEST MARKET STREET GRATZ, PA 17030-0370	DESCRIPTION: 3500/3540 Series Picture Window Standard with J-Channel Mainframe	
				FINISH:	UNSPECIFIED WALL:		PRODUCT: 3500PW, 3540PW	
				AREA:	BREAK ALL CORNERS R.015, UNLESS OTHERWISE SPECIFIED		DATE: 02/09/16	
				WEIGHT:			SCALE: 1:2	
				PERIMETER:			PART NUMBER:	
LTR	ECN #	REVISIONS	DATE	BY	PERIMETER:		DRAWING NUMBER: CS-000346	

The information, design or data shown on this document or electronic media is the exclusive property of MI Windows and Doors, LLC. It is considered confidential and proprietary and is made available for limited use only. Its use or reproduction without the expressed written consent of MI Windows and Doors, LLC., is prohibited.