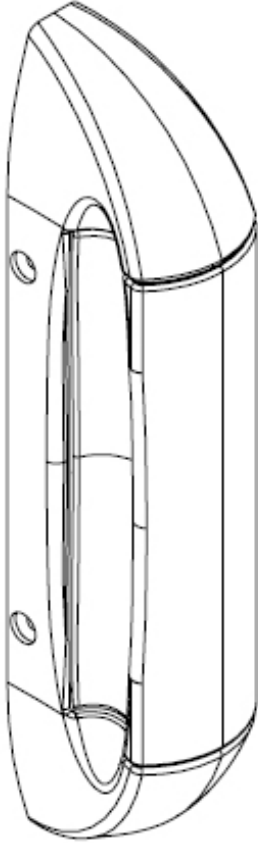
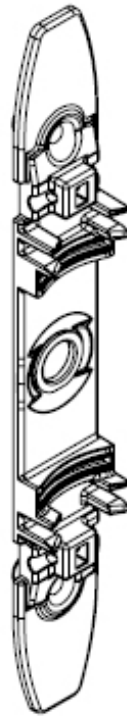


INSTINCT® Installation Instructions

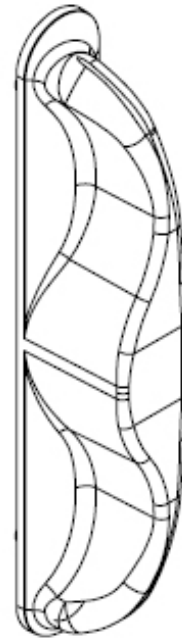
KIT Contents:



(1x) INSTINCT Handle



(1x) INSTINCT Mounting Plate



(1x) Standard External Pull



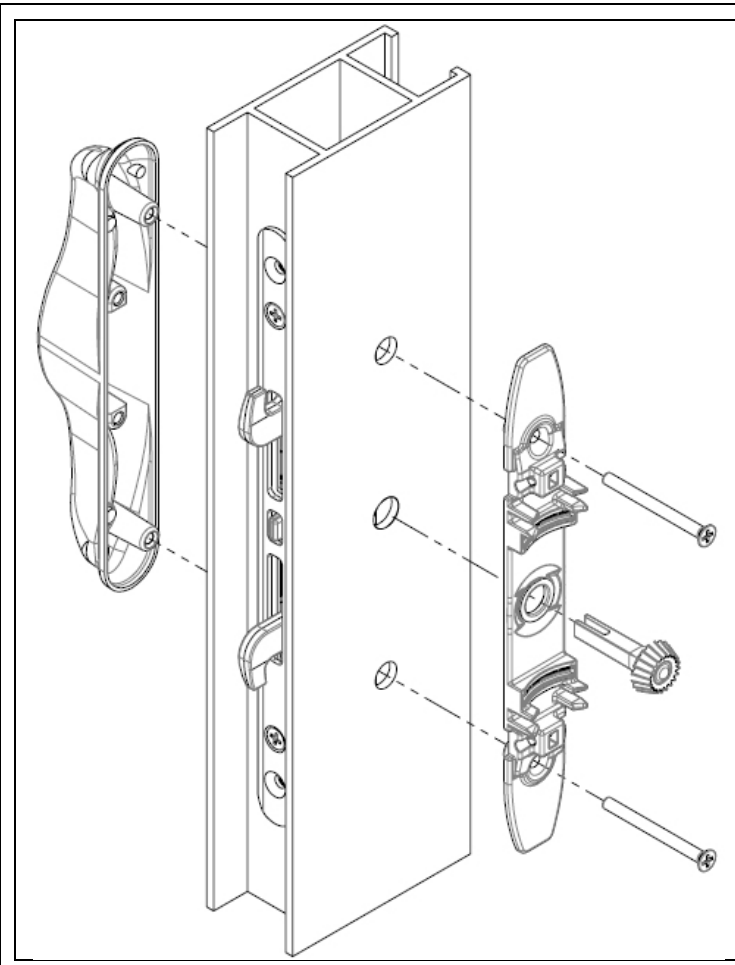
(2x) M4x26 Handle Mounting Screws



(2x) M4x45 Mounting Plate Screws

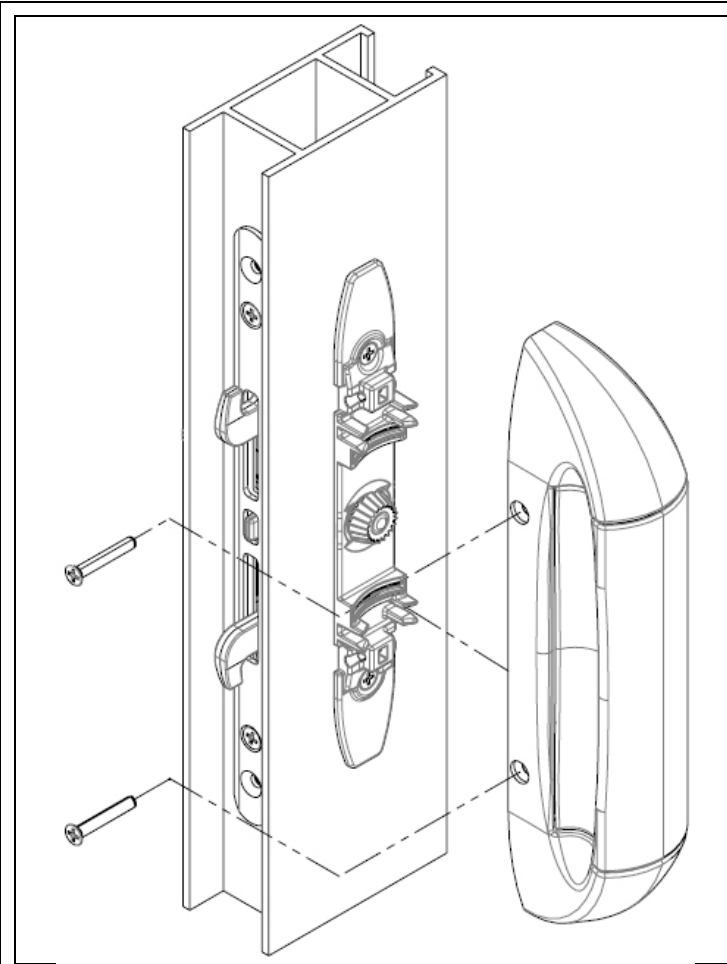


(1x) Drive Pinion



Mounting Plate and Drive Pinion Installation

- Insert Mounting Plate and Exterior Pull into mounting holes
- Insert Drive Pinion in place as shown
- Use Mounting Plate Screws to fix mounting plate
(Caution: Do not over-tighten screws)



INSTINCT Handle Installation

- Make sure lock is in locked position (hooks extended as shown)
- With handle in locked position as shown, align handle with mounting plate then set and hold in place
- Install Handle Mounting Screws, careful to avoid damage to profile

Operation Check

- Rotate lever into unlocked position
- Ensure that hooks are fully retracted
- Push mishandling button and activate lock with lever
- Push vertically on hooks and make sure that they do not retract
 - If hooks retract, carefully repeat the handle installation steps
- Unlock lock and close door