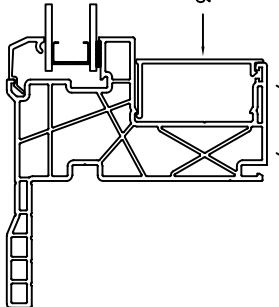
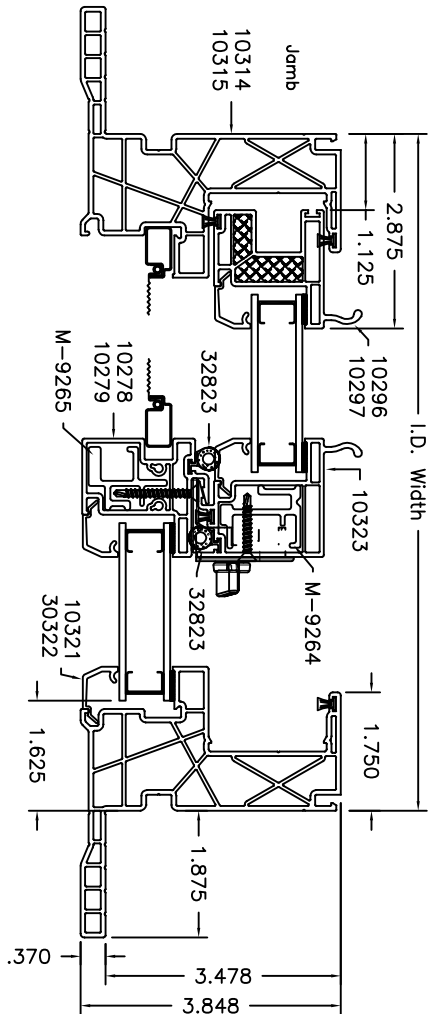
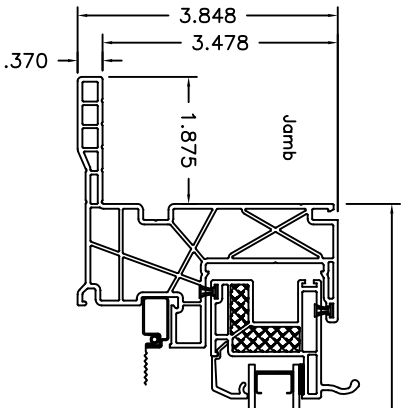
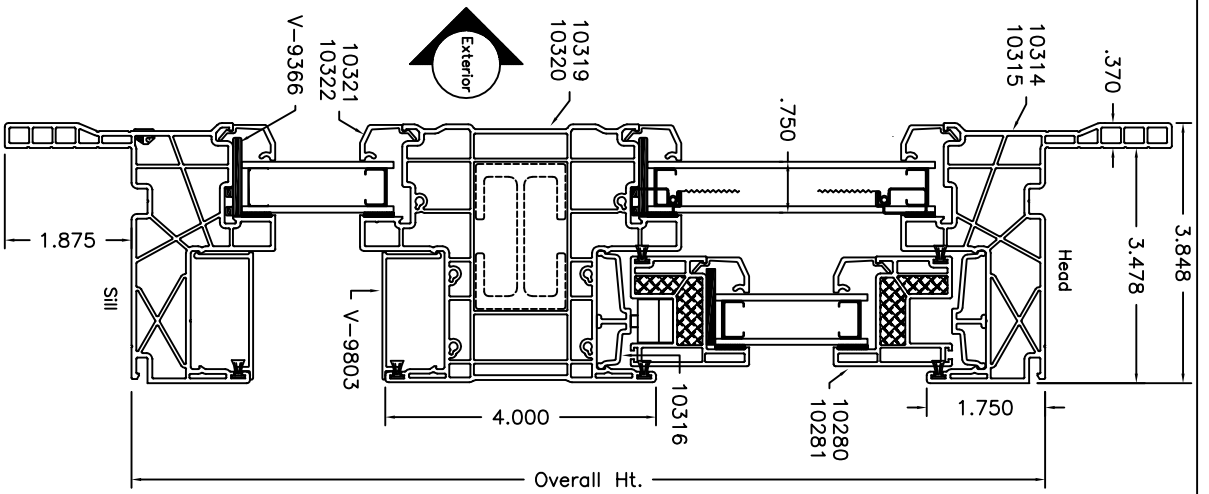


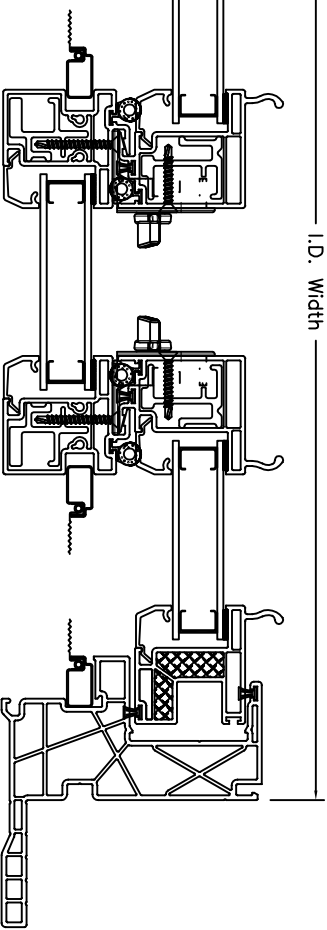
Typical Fixed Portion Of Combo
PXOX/XOXP/Etc.
V-9803
Shown Half Scale
Glazing May Vary

MATERIAL:		UNSPECIFIED WALL:		MIWD MI WINDOWS AND DOORS 600 WEST LAMAR STREET SUITE 200 SUITE 200 PHILADELPHIA, PA 19106-3370	DESCRIPTION: Horizontal Slider, Finless, XOP Cross Sectional Drawing	
FINISH:					PRODUCT: HM160	DATE: 09/10/12
ARBE:					SCALE: Half	PART NUMBER:
WEIGHT:					DFTM: T.C.	DRAWING NUMBER: CS-000237
PERIMETER:						
REVISIONS:		DATE:		BY:		
EON #				LTR		

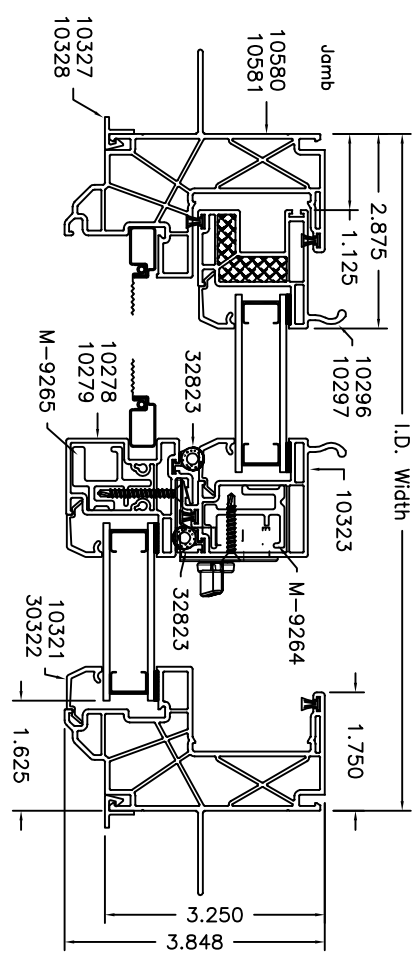
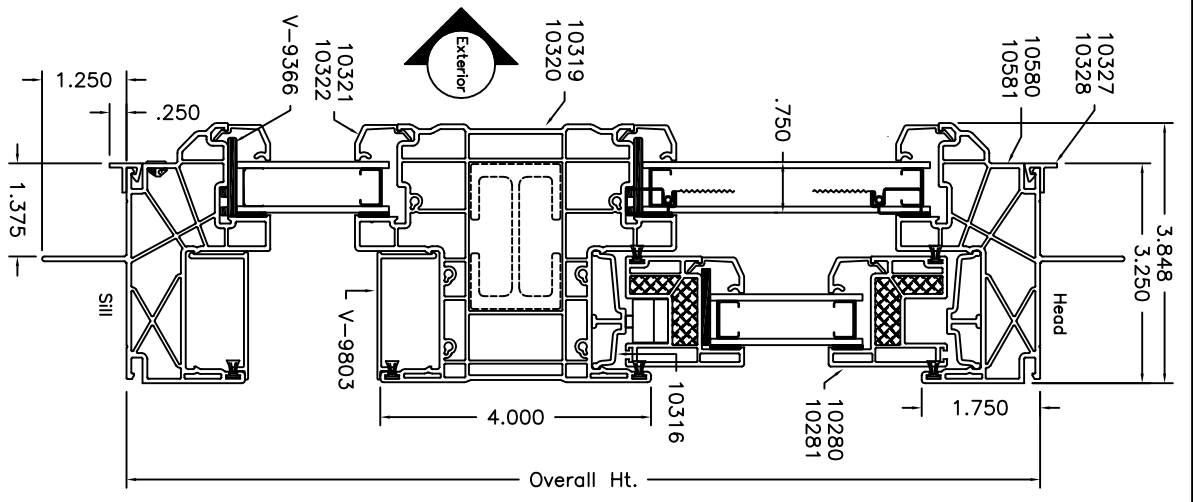
The information, design or data shown on this document or electronic media is the exclusive property of MI Windows and Doors, LLC. It is considered confidential and proprietary and is made available for limited use only. Its use or reproduction without the expressed written consent of MI Windows and Doors, LLC, is prohibited.



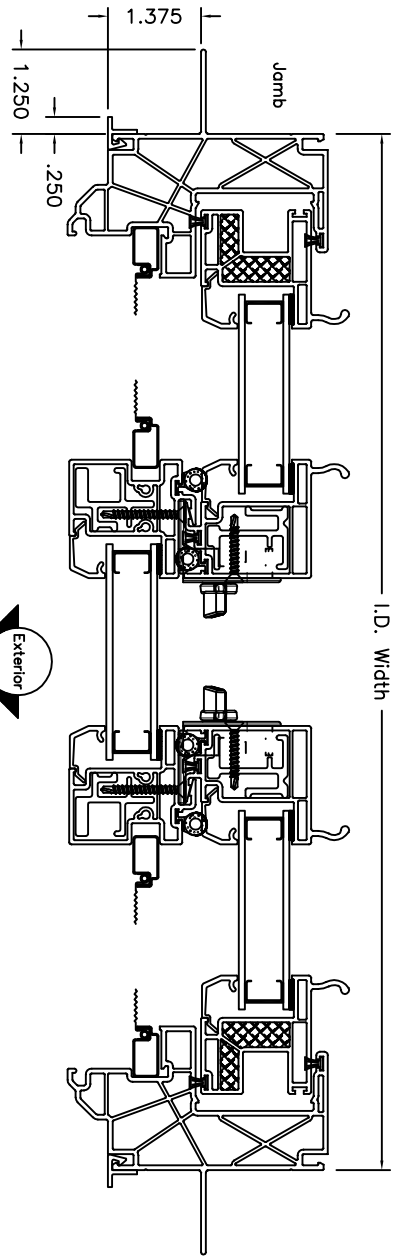
Typical Fixed Portion Of Combo
PXOX/XOXP/Etc.
V-9803



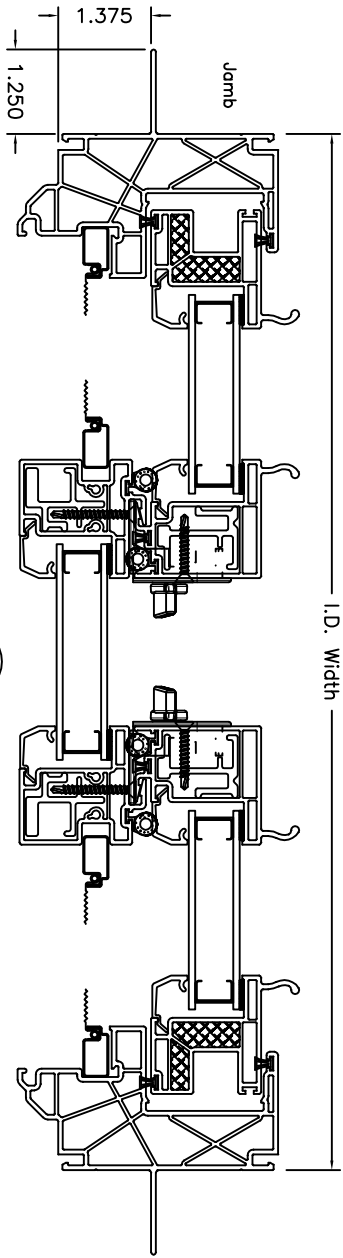
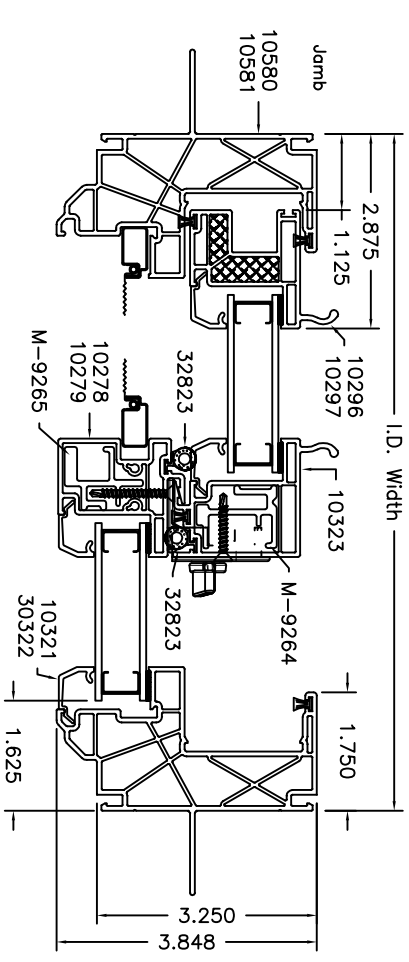
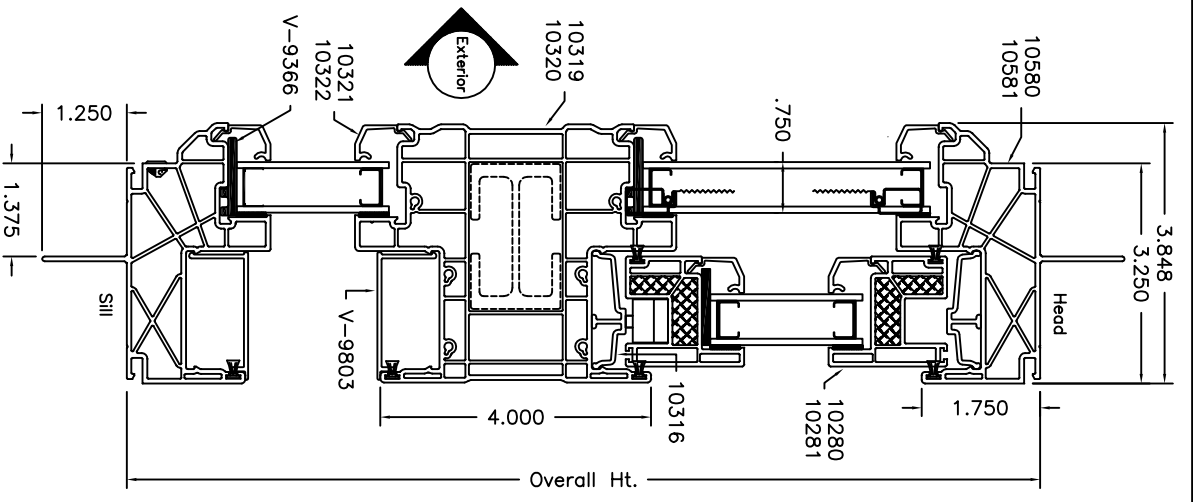
LITERATURE		REVISIONS		DATE		BY		PERMETER:	
MATERIAL:		FINISH:		UNSPECIFIED WALL:		WEIGHT:		BREAK ALL CORNERS R.015, UNLESS OTHERWISE SPECIFIED	
DESCRIPTION: Horizontal Slider, Flange, XOP		PRODUCT: HM160		SCALE: Half		PART NUMBER:		DATE: 09/10/12	
Cross Sectional Drawing		DATE: 09/10/12		DFTM: T.C.		DRAWING NUMBER: CS-000249			
<p>MIND MI WINDOWS AND DOORS 400 WEST MARKET STREET GAITHERSBURG, MD 20878-1070</p> <p>The information, design or data shown on this document or electronic media is the exclusive property of MI Windows and Doors, LLC. It is considered confidential and proprietary and is made available for limited use only. Its use or reproduction without the expressed written consent of MI Windows and Doors, LLC, is prohibited.</p>									



Typical Fixed Portion Of Combo
PXOX/XOXP/Etc.
V-9803
Shown Half Scale
Glazing May Vary

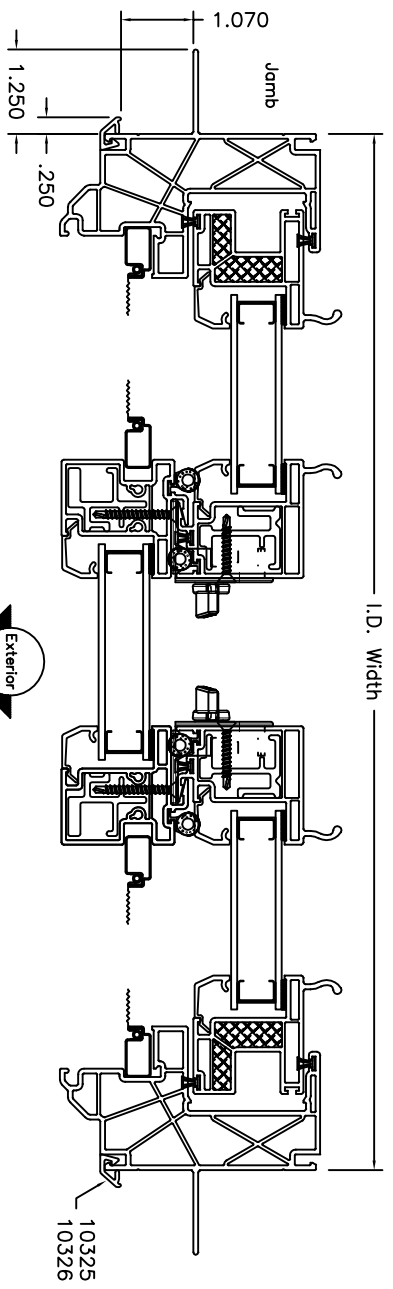
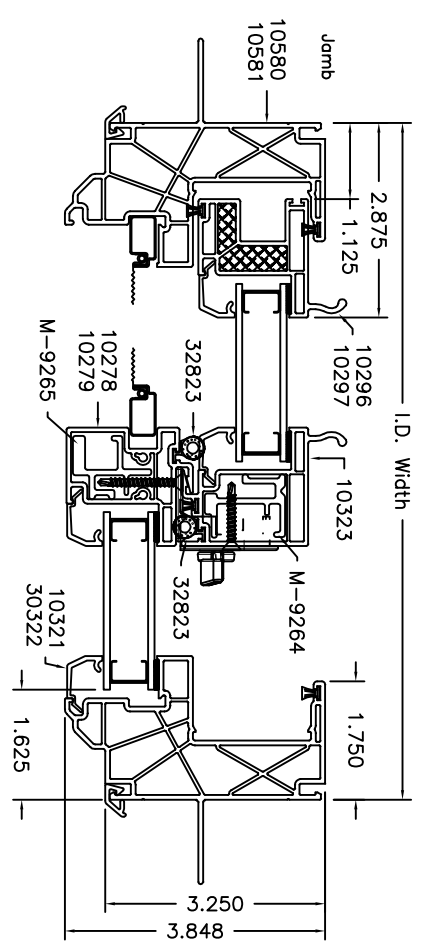
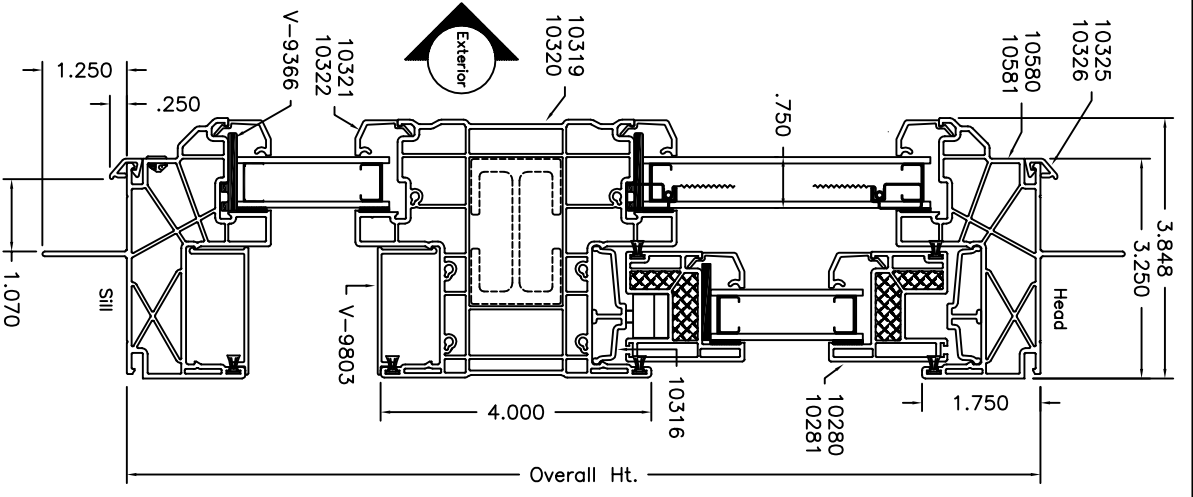


LTR		ECN #		REVISIONS		DATE		BY		PERMETER:		UNSPECIFIED WALL:		MATERIAL:		DESCRIPTION: Horizontal Slider, 1 3/8" Fin Setback, XOP	
														FINISH:		Cross Sectional Drawing, With Stucco Key	
														AREC:		PRODUCT: HM160	
														WEIGHT:		SCALE: Half	
														OTHERWISE SPECIFIED		PART NUMBER:	
														BREAK ALL CORNERS R.015, UNLESS OTHERWISE SPECIFIED		DRAWING NUMBER: CS-000246	
														The information, design or data shown on this document or electronic media is the exclusive property of MI Windows and Doors, LLC. It is considered confidential and proprietary and is made available for limited use only. Its use or reproduction without the expressed written consent of MI Windows and Doors, LLC., is prohibited.		DATE: 09/10/12	
														MIWD MI WINDOWS AND DOORS 600 WEST MARKET STREET GAITHERSBURG, PA 17033-0370			



Typical Fixed Portion Of Combo
PXOX/XOXP/Etc.
V-9803
Shown Half Scale
Glazing May Vary

LTR	ECN #	REVISIONS	DATE	BY	PERMETER:	MATERIAL:	UNSPECIFIED WALL:	<p>MiWD MI WINDOWS AND DOORS 400 WEST MARKET STREET SUITE 201 PHILADELPHIA, PA 19106-3370</p> <p>The information, design or data shown on this document or electronic media is the exclusive property of Mi Windows and Doors, LLC. It is considered confidential and proprietary and is made available for limited use only. Its use or reproduction without the expressed written consent of Mi Windows and Doors, LLC, is prohibited.</p>	DESCRIPTION: Horizontal Slider, 1 3/8" Fin Setback, XOP
						FINISH:	UNSPECIFIED WALL:		Cross Sectional Drawing
						AREC:		PRODUCT: HM160	DATE: 09/10/12
						WEIGHT:		SCALE: Half	PART NUMBER:
						PERMETER:		DFTM: T.C.	DRAWING NUMBER: CS-0002A3



Typical Fixed Portion Of Combo
PXOX/XOX/ETC.
V-9803
Shown Half Scale
Glazing May Vary

LTR	ECN #	REVISIONS	DATE	BY	PERMETER:	UNSPECIFIED WALL:	MATERIAL:	DESCRIPTION: Horizontal Slider, 1" Fin Setback, XOP Cross Sectional Drawing	PRODUCT: HM160	DATE: 09/10/12
							FINISH:		SCALE: Half	PART NUMBER:
							ARCA:		DFTM: T.C.	DRAWING NUMBER: CS-000240
							WEIGHT:			
							BREAK ALL CORNERS R.015, UNLESS OTHERWISE SPECIFIED			
							<p>MiWD MI WINDOWS AND DOORS 600 WEST MARKET STREET, SUITE 201, PA 17033-0370</p> <p>The information, design or data shown on this document or electronic media is the exclusive property of Mi Windows and Doors, LLC. It is considered confidential and proprietary and is made available for limited use only. Its use or reproduction without the expressed written consent of Mi Windows and Doors, LLC, is prohibited.</p>			