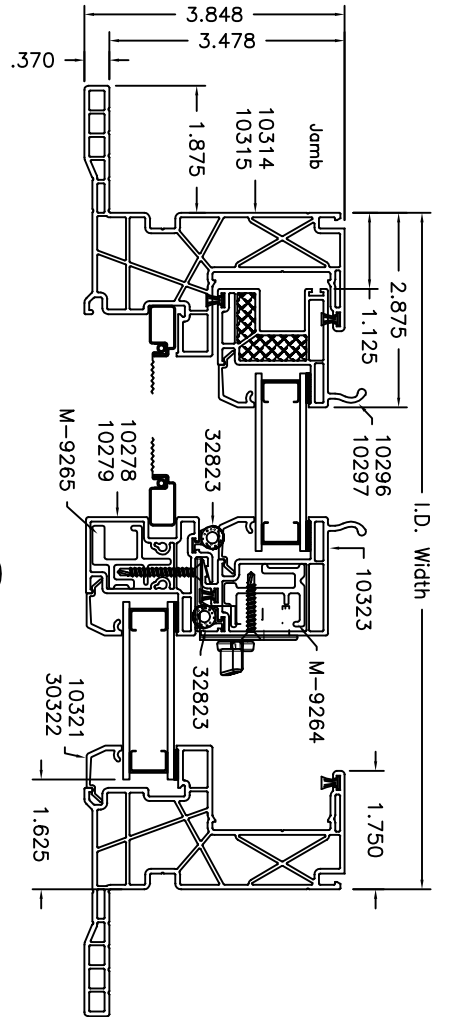
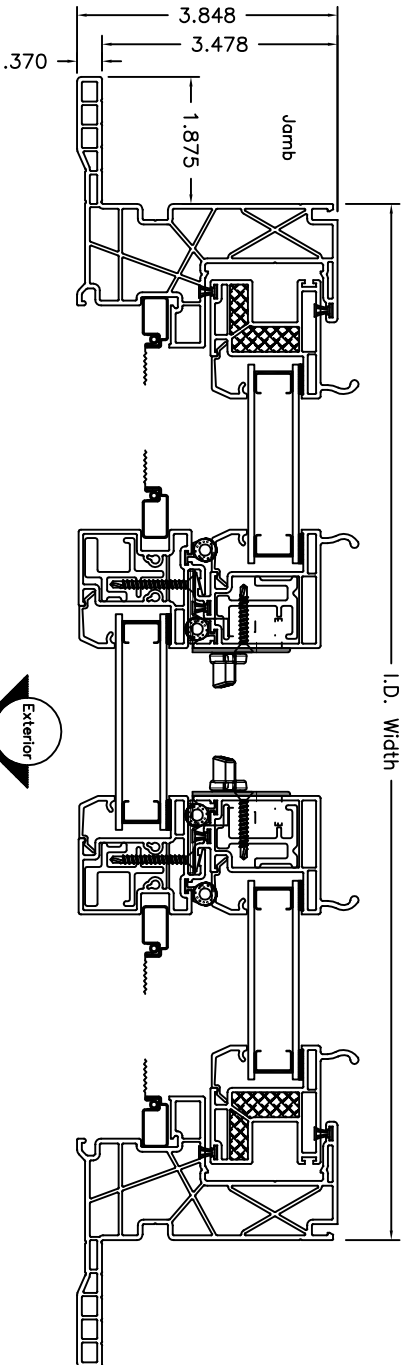
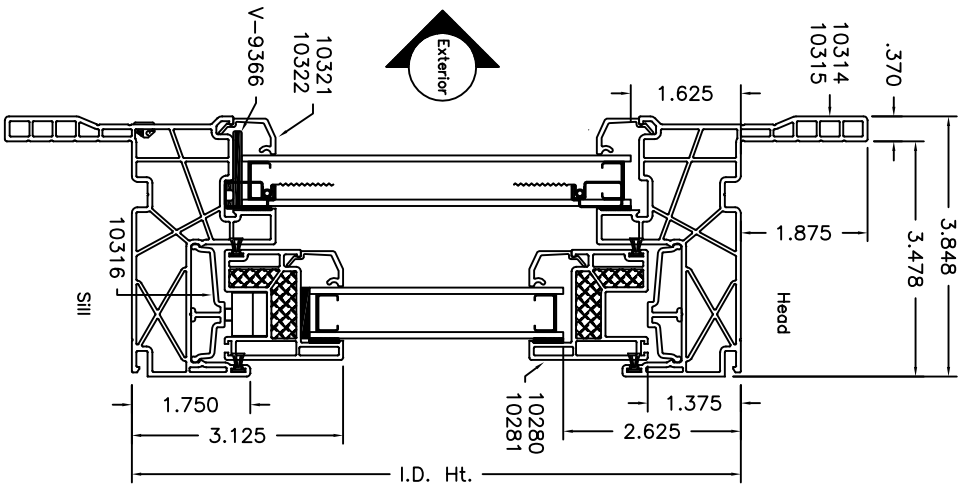
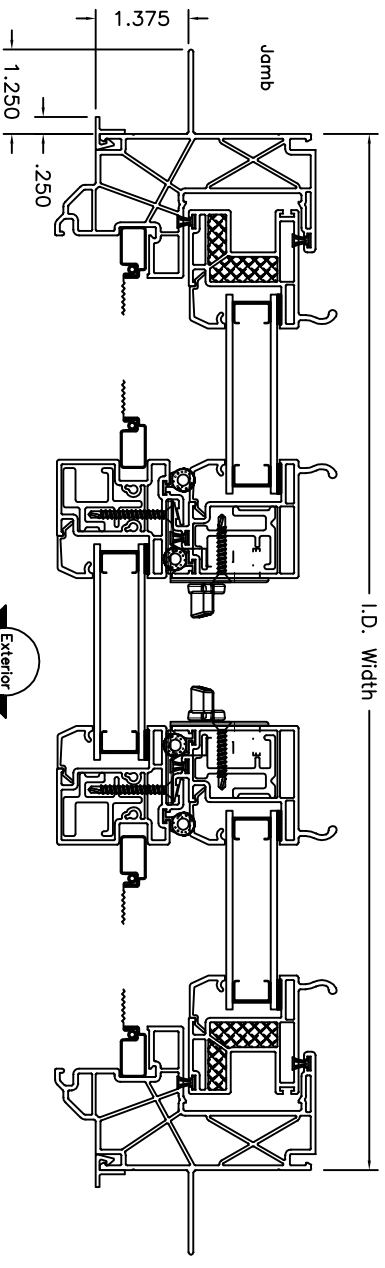
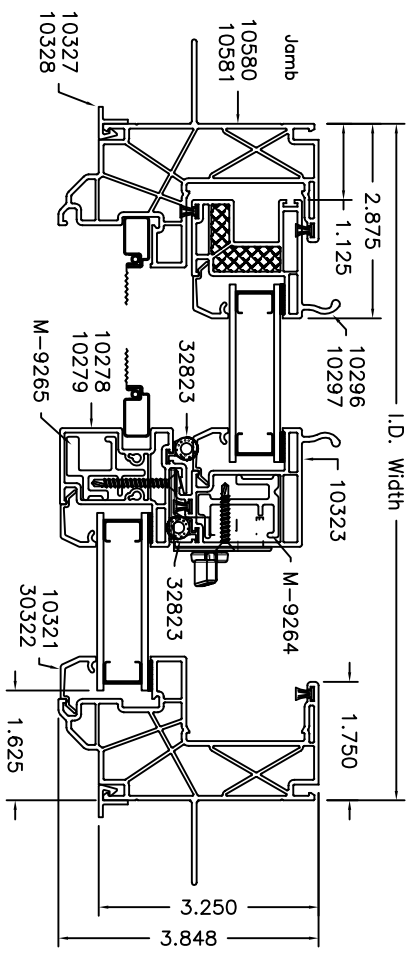
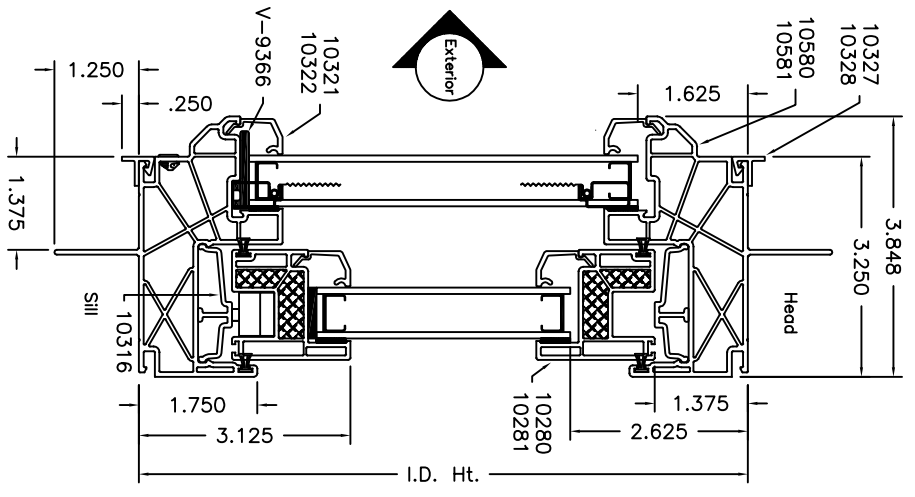


MATERIAL:		UNSPECIFIED WALL:		MiWD MI WINDOWS AND DOORS 600 WEST MARKET STREET SUITE 201 PHILADELPHIA, PA 19106-3370	DESCRIPTION: Horizontal Slider, Finless Cross Sectional Drawing	
FINISH:					PRODUCT: HM160	DATE: 09/10/12
AREC:					SCALE: Half	PART NUMBER:
WEIGHT:					DFTM: T.C.	DRAWING NUMBER: CS-000235
PERIMETER:						
REVISIONS:		DATE		BY		
ECN #						

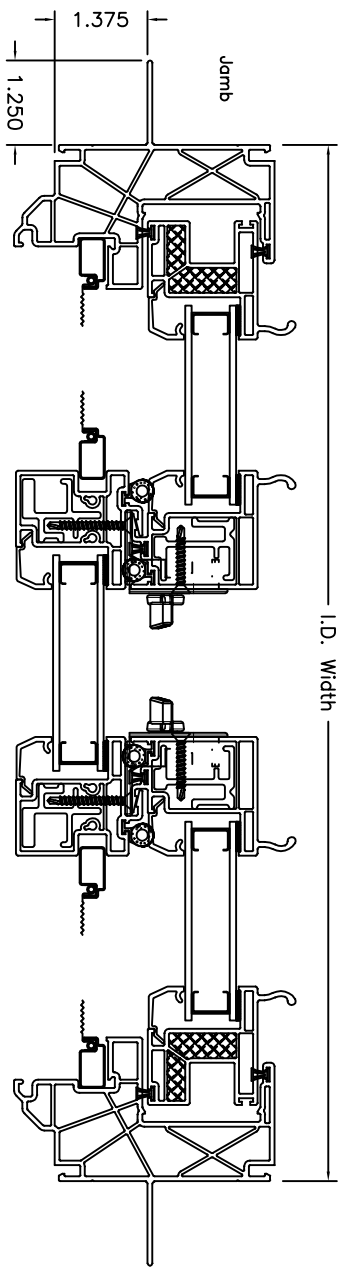
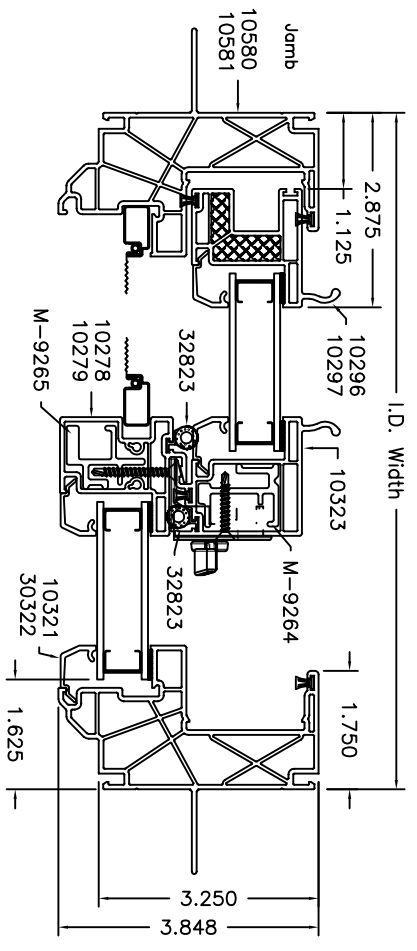
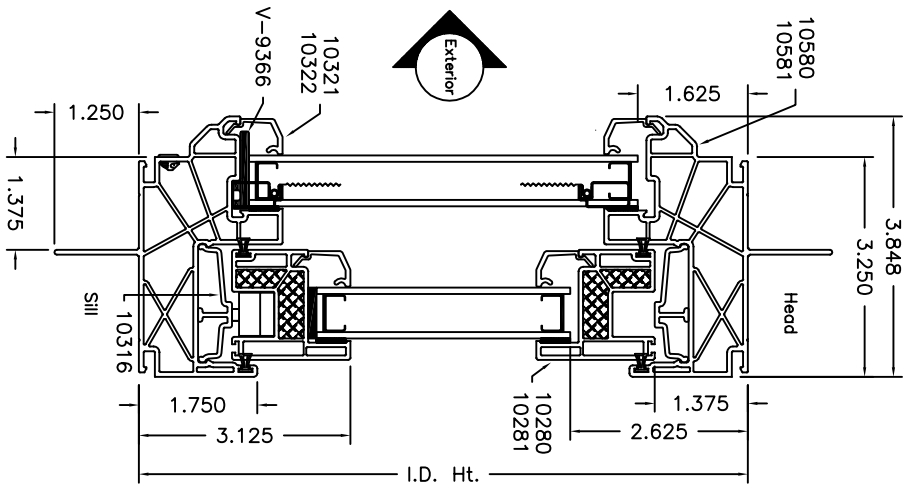
The information, design or data shown on this document or electronic media is the exclusive property of Mi Windows and Doors, LLC. It is considered confidential and proprietary and is made available for limited use only. Its use or reproduction without the expressed written consent of Mi Windows and Doors, LLC, is prohibited.



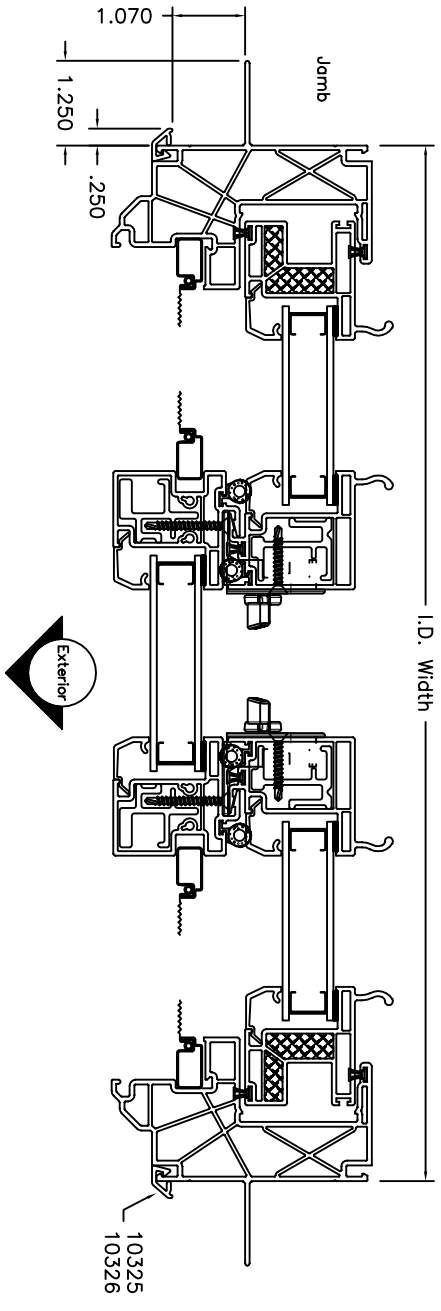
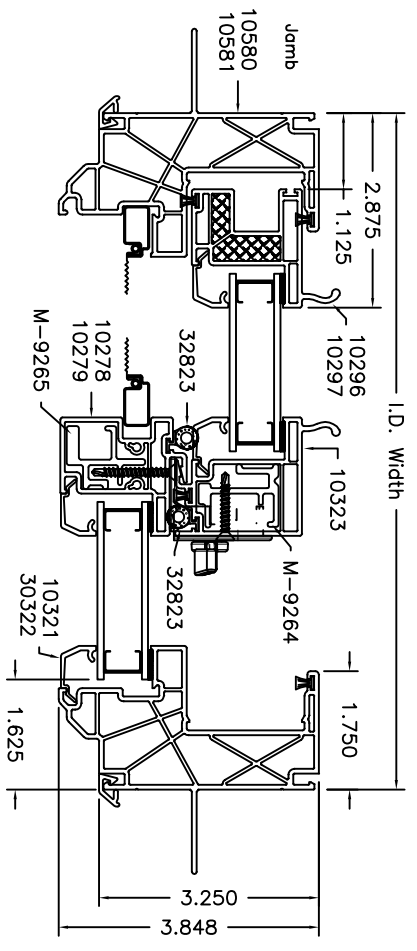
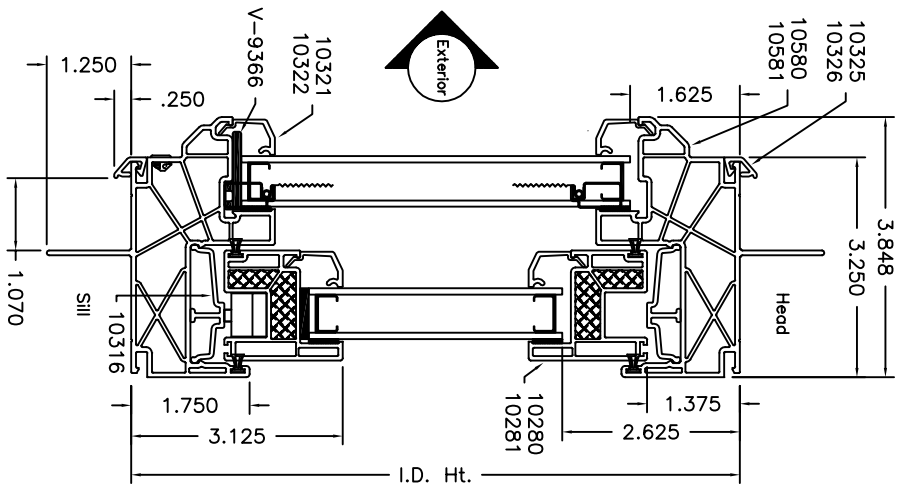
MATERIAL:		UNSPECIFIED WALL:		MIMD MI WINDOWS AND DOORS 600 WEST MARKET STREET GAITHERSBURG, MD 20878-1070		DESCRIPTION: Horizontal Slider, Flange	
FINISH:		UNSPECIFIED WALL:				Cross Sectional Drawing	
AREA:		UNSPECIFIED WALL:				PRODUCT: HM160	
WEIGHT:		UNSPECIFIED WALL:				SCALE: Half	
PERIMETER:		UNSPECIFIED WALL:		DATE: 09/10/12		PART NUMBER:	
REVISIONS:		UNSPECIFIED WALL:		OTHERWISE SPECIFIED		DRAWING NUMBER: CS-000247	
DATE:		UNSPECIFIED WALL:		The information, design or data shown on this document or electronic media is the exclusive property of MI Windows and Doors, LLC. It is considered confidential and proprietary and is made available for limited use only. Its use or reproduction without the expressed written consent of MI Windows and Doors, LLC., is prohibited.		DFTM: T.C.	
BY:		UNSPECIFIED WALL:		MI Windows and Doors, LLC.		DRAWING NUMBER: CS-000247	



LITERATURE		ECON #		REVISIONS		DATE		BY		PERMETER:		MATERIAL:		UNSPECIFIED WALL:		<p>MIND MI WINDOWS AND DOORS 600 WEST MARKET STREET SUITE 201 PHILADELPHIA, PA 19106-3370</p> <p>The information, design or data shown on this document or electronic media is the exclusive property of MI Windows and Doors, LLC. It is considered confidential and proprietary and is made available for limited use only. Its use or reproduction without the expressed written consent of MI Windows and Doors, LLC, is prohibited.</p>		<p>DESCRIPTION: Horizontal Slider, 1 3/8" Fin Setback, Stucco Key Cross Sectional Drawing</p>	
												FINISH:				PRODUCT: HM160			
												AREA:				SCALE: Half			
												WEIGHT:				PART NUMBER:			
												OTHERWISE SPECIFIED				DRAWING NUMBER: CS-000244			
												DATE: 09/10/12							



MATERIAL:		UNSPECIFIED WALL:		<p>MWD MI WINDOWS AND DOORS 600 WEST MARKET STREET SUITE 201 PHILADELPHIA, PA 19106-3270</p> <p>The information, design or data shown on this document or electronic media is the exclusive property of MI Windows and Doors, LLC. It is considered confidential and proprietary and is made available for limited use only. Its use or reproduction without the expressed written consent of MI Windows and Doors, LLC, is prohibited.</p>	
FINISH:		AREC			
WEIGHT:		BREAK ALL CORNERS R015, UNLESS OTHERWISE SPECIFIED			
PERIMETER:					
DESCRIPTION:	Horizontal Slider, 1 3/8" Fin Setback			DATE:	09/10/12
Cross Sectional Drawing				SCALE:	Half
PRODUCT:	HM160			PART NUMBER:	
				DFTM:	T.C.
				DRAWING NUMBER:	CS-000241
REVISIONS:					
BY:					
DATE:					
ECN #:					



LTR		ECN #	REVISIONS	DATE	BY	MATERIAL:	UNSPECIFIED WALL:	<p>MWD MI WINDOWS AND DOORS 600 WEST MARKET STREET SUITE 201 PHILADELPHIA, PA 19106-3270</p> <p>The information, design or data shown on this document or electronic media is the exclusive property of MI Windows and Doors, LLC. It is considered confidential and proprietary and is made available for limited use only. Its use or reproduction without the expressed written consent of MI Windows and Doors, LLC, is prohibited.</p>	DESCRIPTION: Horizontal Slider, 1" Fin Setback Cross Sectional Drawing	PRODUCT: HM160	DATE: 09/10/12
						FINISH:			SCALE: Half	PART NUMBER:	
						ARBK:			DFTM: T.C.	DRAWING NUMBER: CS-000238	
						WEIGHT:	BREAK ALL CORNERS R.015, UNLESS OTHERWISE SPECIFIED				
						PERIMETER:					