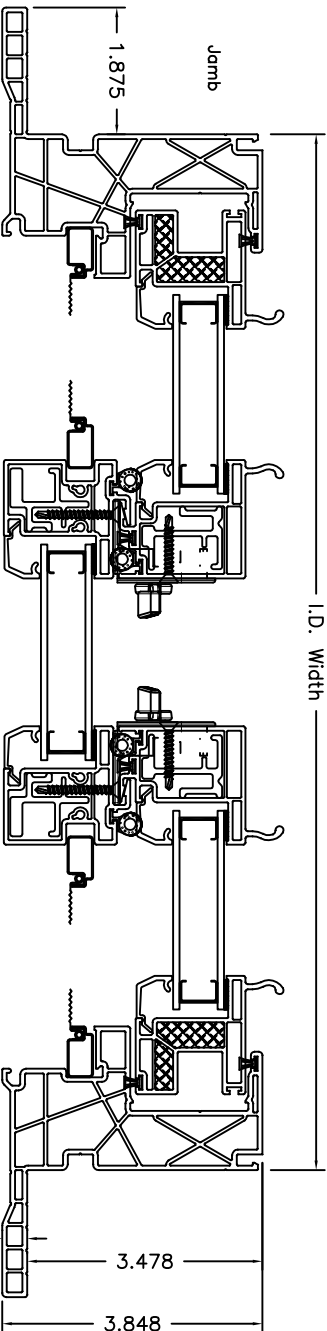
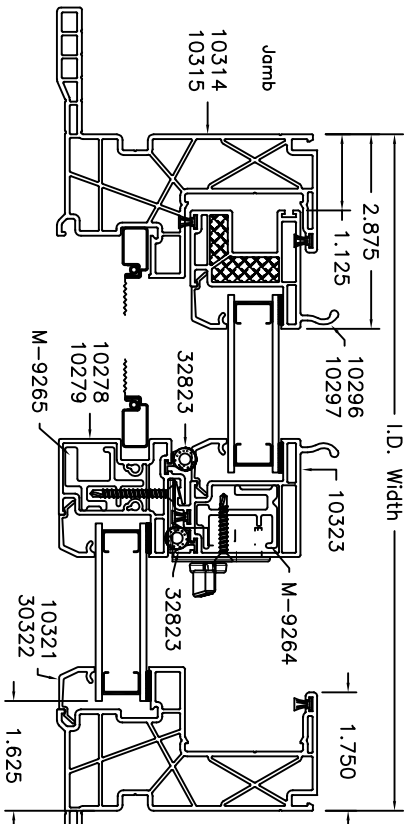
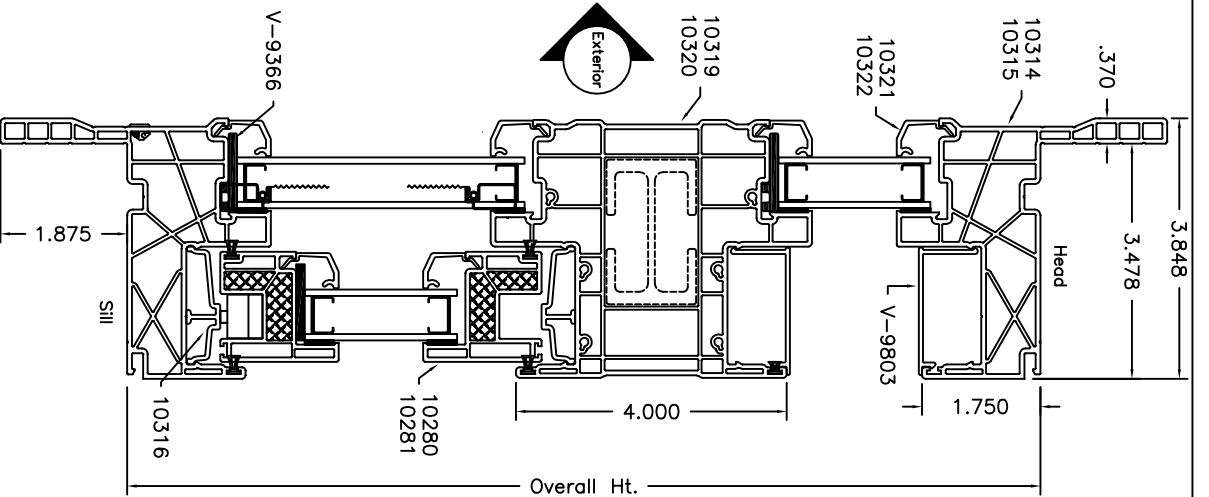


Typical Fixed Portion Of Combo  
PXOX/XOXP/Etc.  
V-9803  
Shown Half Scale  
Glazing May Vary

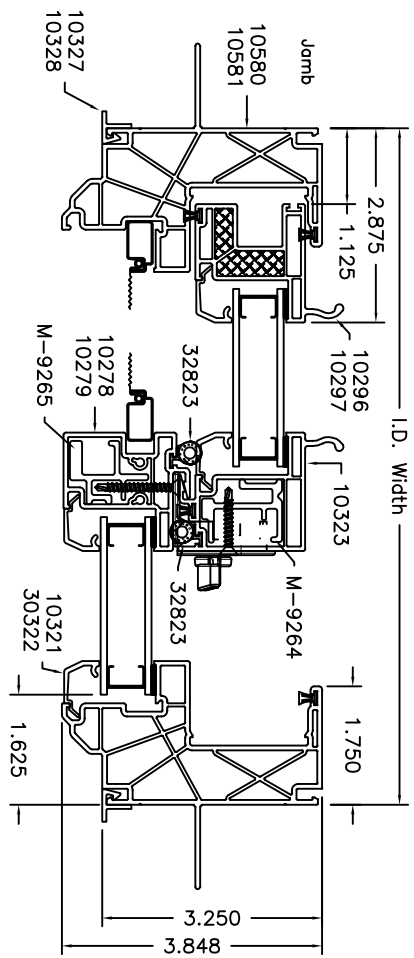
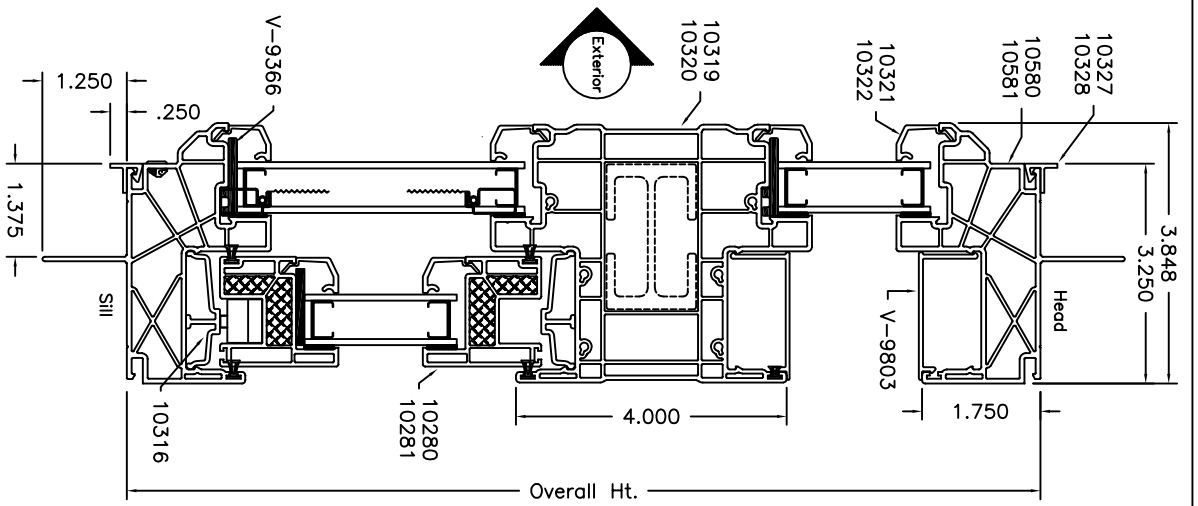
MATERIAL:		UNSPECIFIED WALL:		<b>MIWD</b> MI WINDOWS AND DOORS 600 WEST MARKET STREET GAITHERSBURG, PA 17033-0370 The information, design or data shown on this document or electronic media is the exclusive property of MI Windows and Doors, LLC. It is considered confidential and proprietary and is made available for limited use only. Its use or reproduction without the expressed written consent of MI Windows and Doors, LLC, is prohibited.		DESCRIPTION: Horizontal Slider, Finless, POX Cross Sectional Drawing	
FINISH:		UNSPECIFIED WALL:				PRODUCT: HM160	DATE: 09/10/12
AREA:		UNSPECIFIED WALL:				SCALE: Half	PART NUMBER:
WEIGHT:		UNSPECIFIED WALL:				DFNM: T.C.	DRAWING NUMBER: CS-000236
PERIMETER:		UNSPECIFIED WALL:					
REVISIONS:		DATE:		BY:			
ECN #		DATE:		BY:			
LTR		DATE:		BY:			



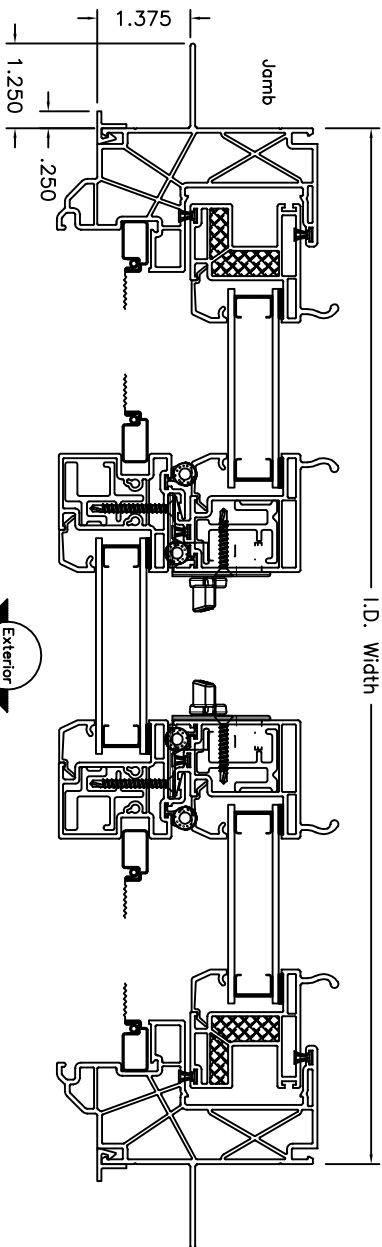
Typical Fixed Portion Of Combo  
PXOX/XOXP/Etc.  
V-9803  
Shown Half Scale  
Glazing May Vary

MATERIAL:	UNSPECIFIED WALL:	<p><b>MWMD</b> MI WINDOWS AND DOORS 600 WEST MARKET STREET GAITHERSBURG, PA 17040-0370</p> <p>The information, design or data shown on this document or electronic media is the exclusive property of MI Windows and Doors, LLC. It is considered confidential and proprietary and is made available for limited use only. Its use or reproduction without the expressed written consent of MI Windows and Doors, LLC, is prohibited.</p>
FINISH:		
ARBE:		
WEIGHT:		
PERIMETER:		
DESCRIPTION:	Horizontal Slider, Flange, POX Cross Sectional Drawing	PRODUCT: HM160
SCALE:	Half	DATE: 09/10/12
DFTM:	T.C.	PART NUMBER:
		DRAWING NUMBER: CS-000248

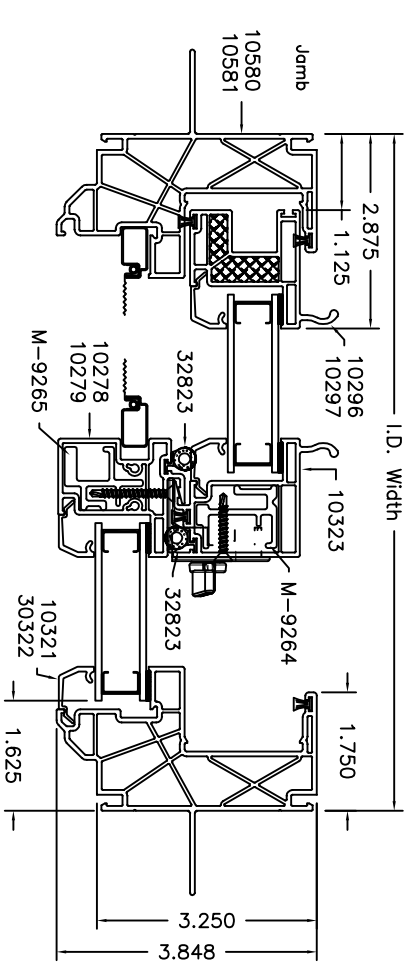
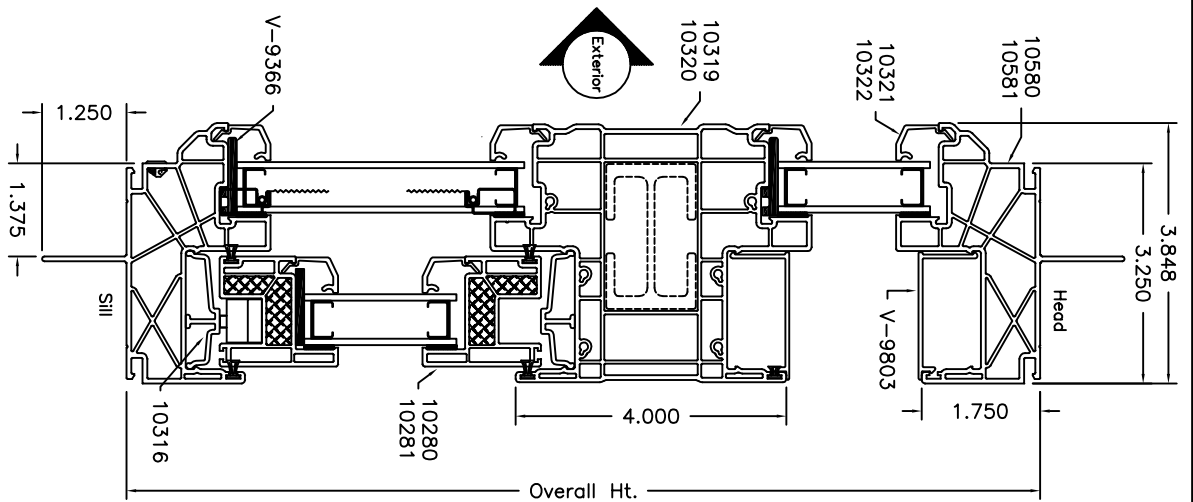
LTR	ECN #	REVISIONS	DATE	BY



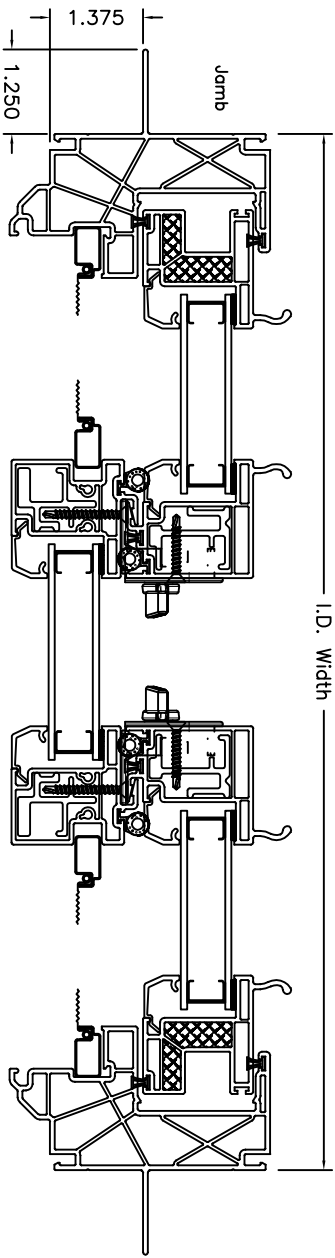
Typical Fixed Portion Of Combo  
PXOX/XOXP/Etc.  
V-9803  
Shown Half Scale  
Glazing May Vary



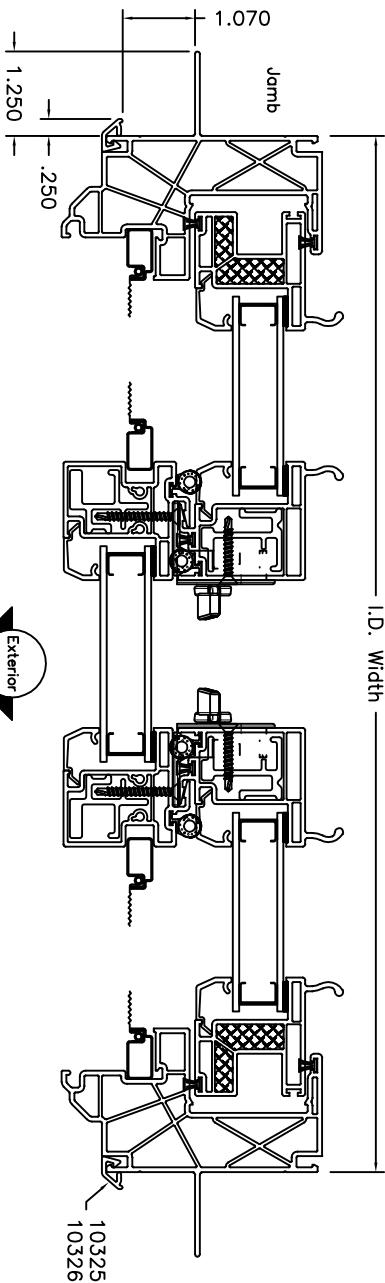
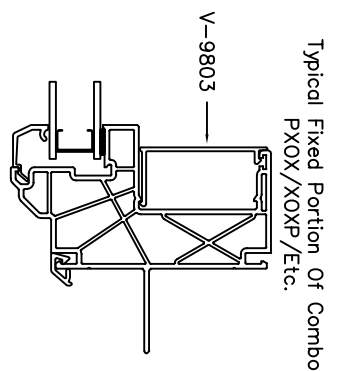
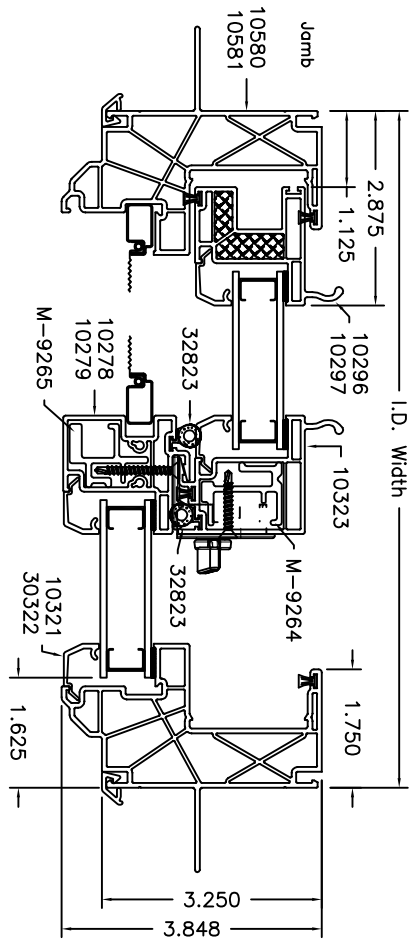
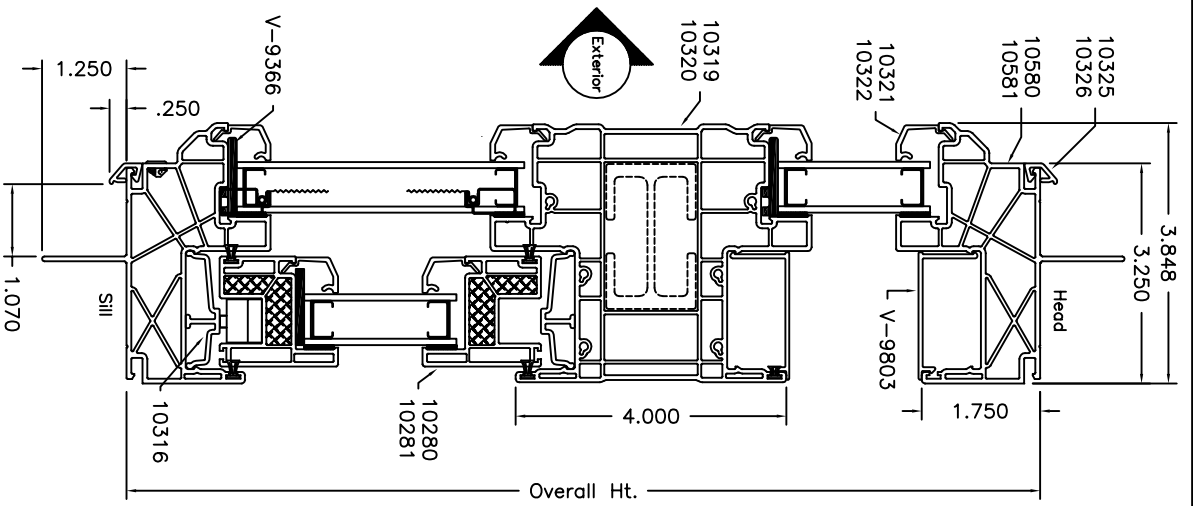
MATERIAL:		UNSPECIFIED WALL:		<p><b>MiWD</b> MI WINDOWS AND DOORS 600 WEST MARKET STREET SUITE 201 PHILADELPHIA, PA 19106-3370</p> <p>The information, design or data shown on this document or electronic media is the exclusive property of Mi Windows and Doors, LLC. It is considered confidential and proprietary and is made available for limited use only. Its use or reproduction without the expressed written consent of Mi Windows and Doors, LLC, is prohibited.</p>	
FINISH:		UNSPECIFIED WALL:			
ARCA:		UNSPECIFIED WALL:			
WEIGHT:		UNSPECIFIED WALL:			
PERIMETER:		UNSPECIFIED WALL:		<p>PRODUCT: HM160</p> <p>SCALE: Half</p> <p>DATE: 09/10/12</p>	
REVISIONS:		DATE:		<p>DESCRIPTION: Horizontal Slider, 1 3/8" Fin Setback, POX</p> <p>Cross Sectional Drawing, With Stucco Key</p>	
BY:		DATE:		<p>SCALE: Half</p> <p>PART NUMBER:</p>	
LTR:		DATE:		<p>DFTM: T.C.</p> <p>DRAWING NUMBER: CS-000245</p>	



Typical Fixed Portion Of Combo  
PXOX/XOXP/Etc.  
V-9803  
Shown Half Scale  
Glazing May Vary



LITERATURE		REVISIONS		DATE		BY		PERMETER:		UNSPECIFIED WALL:		MATERIAL:		DESCRIPTION: Horizontal Slider, 1 3/8" Fin Setback, POX Cross Sectional Drawing	
ECON #										UNSPECIFIED WALL:		FINISH:		PRODUCT: HM160	
										UNSPECIFIED WALL:		AREC:		DATE: 09/10/12	
										UNSPECIFIED WALL:		WEIGHT:		PART NUMBER:	
										UNSPECIFIED WALL:		PERIMETER:		DRAWING NUMBER: CS-000242	
										UNSPECIFIED WALL:		BREK: ALL CONDENSES R015, UNLESS OTHERWISE SPECIFIED			
										UNSPECIFIED WALL:		The information, design or data shown on this document or electronic media is the exclusive property of MI Windows and Doors, LLC. It is considered confidential and proprietary and is made available for limited use only. Its use or reproduction without the expressed written consent of MI Windows and Doors, LLC., is prohibited.			
										UNSPECIFIED WALL:		<b>MIWD</b> MI WINDOWS AND DOORS 600 WEST MARKET STREET GAITHERSBURG, PA 17040-0370			



LITERATURE		ECON #		REVISIONS		DATE		BY		PERMETER:		UNSPECIFIED WALL:		MATERIAL:	
														FINISH:	
														AREC:	
														WEIGHT:	
														BREAK ALL CORNERS R.015, UNLESS OTHERWISE SPECIFIED	
														The information, design or data shown on this document or electronic media is the exclusive property of MI Windows and Doors, LLC. It is considered confidential and proprietary and is made available for limited use only. Its use or reproduction without the expressed written consent of MI Windows and Doors, LLC., is prohibited.	
														<b>MIWD</b> MI WINDOWS AND DOORS 600 WEST MARKET STREET GAITHERSBURG, PA 17040-0370	
														DESCRIPTION: Horizontal Slider, 1" Fin Setback, POX Cross Sectional Drawing	
														PRODUCT: HM160	
														SCALE: Half	
														PART NUMBER:	
														DATE: 09/10/12	
														DRAWING NUMBER: CS-000239	