

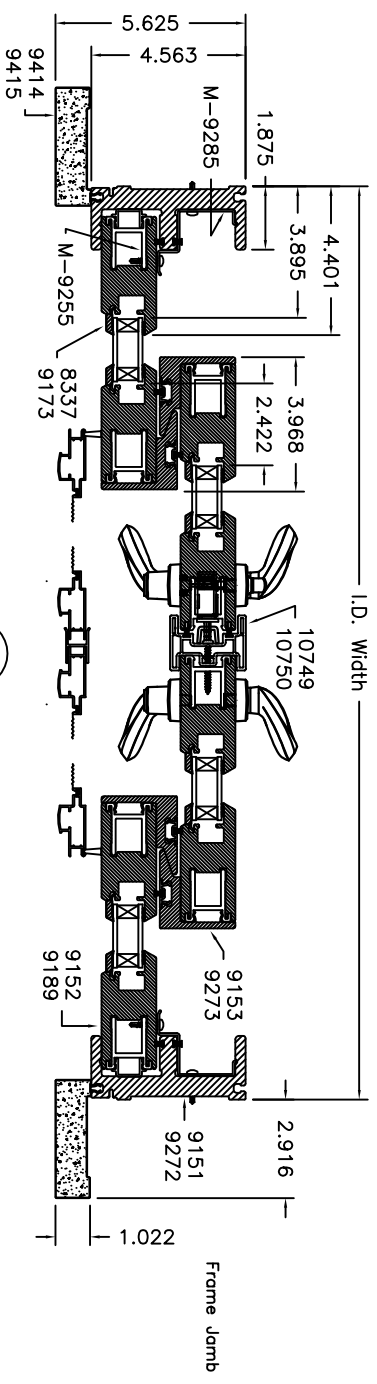
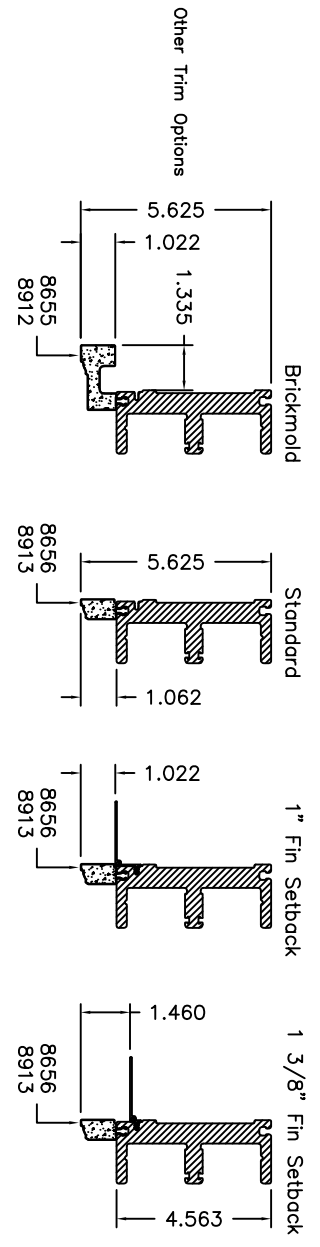
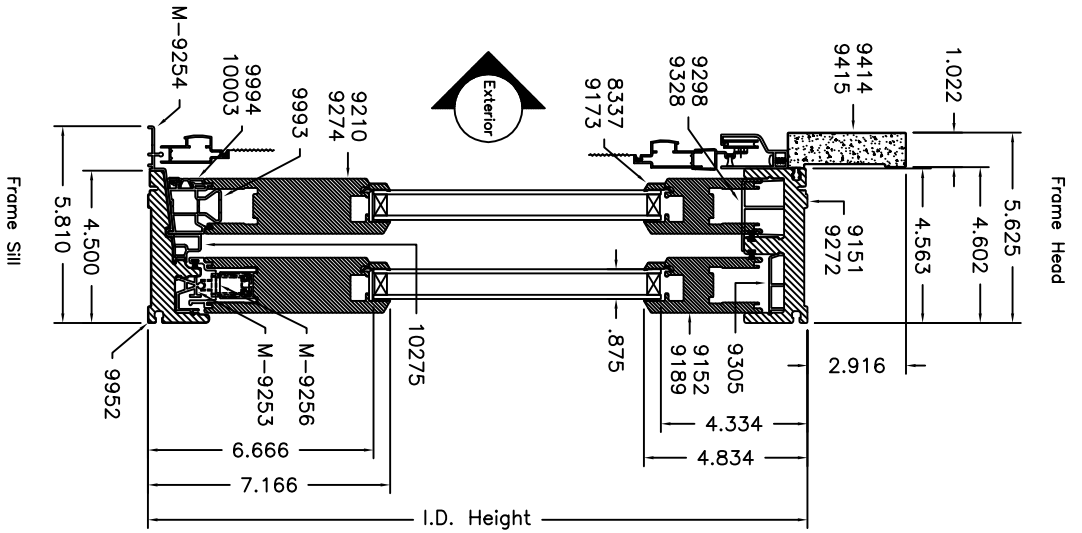
Nominal Door Size	I.D. Door Size	Rough Opening
5'-0" x 6'-8"	59 1/2" x 79 1/2"	60" x 80"
6'-0" x 6'-8"	71 1/2" x 79 1/2"	72" x 80"
8'-0" x 6'-8"	95 1/2" x 79 1/2"	96" x 80"
5'-0" x 8'-0"	59 1/2" x 95 1/2"	60" x 96"
6'-0" x 8'-0"	71 1/2" x 95 1/2"	72" x 96"
8'-0" x 8'-0"	95 1/2" x 95 1/2"	96" x 96"

Flat Casing Exterior Trim
OX Shown, XO Opposite

MATERIAL:		UNSPECIFIED WALL:		DESCRIPTION:	
FINISH:		ARBEK:		Cross Sectional Drawing	
WEIGHT:		BREAK ALL CORNERS R.015, UNLESS OTHERWISE SPECIFIED		OX or XO	
PERIMETER:		DATE: 02/02/11		PART NUMBER:	
REVISIONS:		DATE:		DRAWING NUMBER: CS-000340	
EON #		DATE:		DATE: 02/02/11	
LTR		BY:		DATE: 02/02/11	

MiWD MI WINDOWS AND DOORS
600 WEST MARKET STREET SUITE 1100-0370
LANCASTER, PA 17602-0370

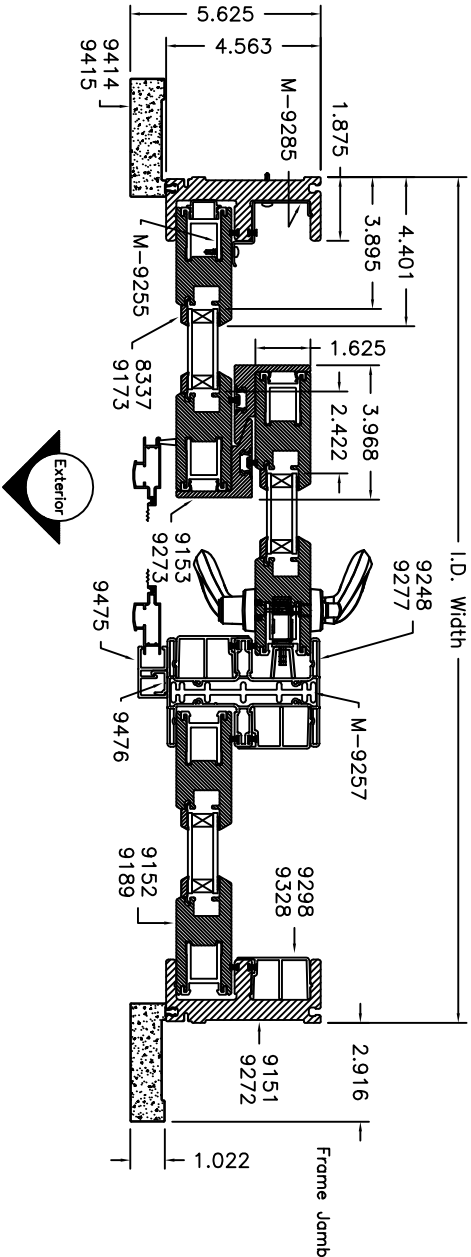
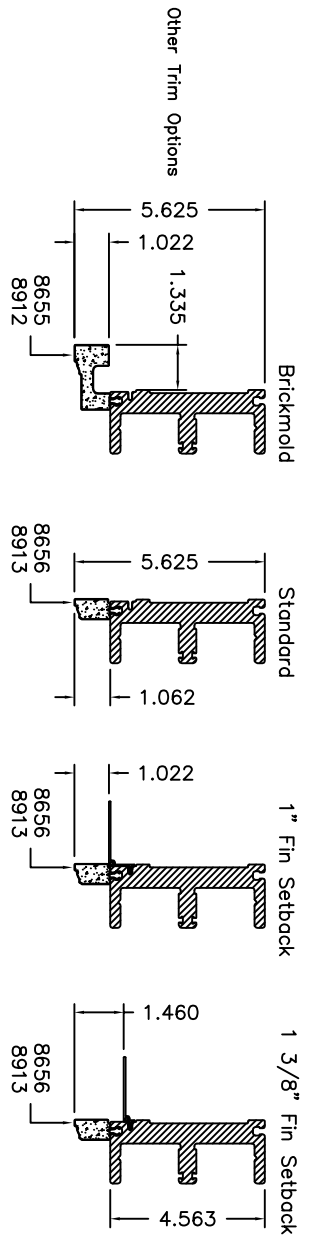
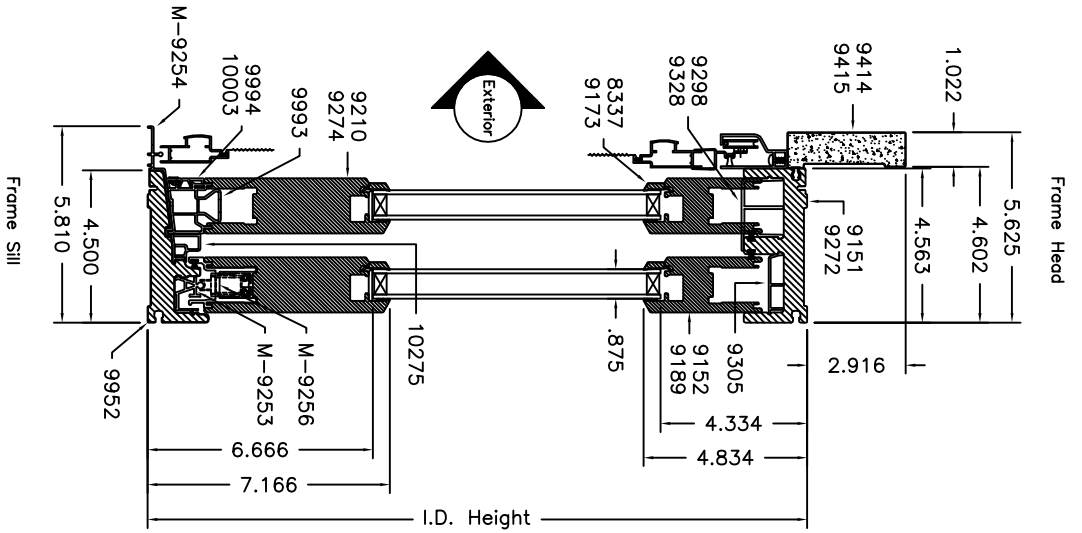
The information, design or data shown on this document or electronic media is the exclusive property of Mi Windows and Doors, LLC. It is considered confidential and proprietary and is made available for limited use only. Its use or reproduction without the expressed written consent of Mi Windows and Doors, LLC, is prohibited.



Nominal Door Size	I.D. Door Size	Rough Opening
10'-0" x 6'-8"	117 $\frac{1}{2}$ " x 79 $\frac{1}{2}$ "	117 $\frac{1}{2}$ " x 80"
12'-0" x 6'-8"	141 $\frac{1}{2}$ " x 79 $\frac{1}{2}$ "	141 $\frac{1}{2}$ " x 80"
16'-0" x 6'-8"	189 $\frac{1}{2}$ " x 79 $\frac{1}{2}$ "	189 $\frac{1}{2}$ " x 80"
10'-0" x 8'-0"	117 $\frac{1}{2}$ " x 95 $\frac{1}{2}$ "	117 $\frac{1}{2}$ " x 96"
12'-0" x 8'-0"	141 $\frac{1}{2}$ " x 95 $\frac{1}{2}$ "	141 $\frac{1}{2}$ " x 96"
16'-0" x 8'-0"	189 $\frac{1}{2}$ " x 95 $\frac{1}{2}$ "	189 $\frac{1}{2}$ " x 96"

Flot Casing Exterior Trim
 O-OX Shown, XO-O Opposite

LTR		EON #		REVISIONS		DATE		BY		PERMETER:		MATERIAL:		UNSPECIFIED WALL:		MWD MI WINDOWS AND DOORS 600 WEST LAMAR STREET SUITE 1100-0370 GAITHERSBURG, MD 20878		DESCRIPTION: Cross Sectional Drawing OXXX		PRODUCT: 390FR and EC190 SCALE: 250 : 1 DFTM: T.C.		DATE: 02/02/11 PART NUMBER: DRAWING NUMBER: CS-000356	
-----	--	-------	--	-----------	--	------	--	----	--	-----------	--	-----------	--	-------------------	--	--	--	--	--	--	--	---	--



Nominal Door Size	I.D. Door Size	Rough Opening
7'-6" x 6'-8"	91" x 79 1/2"	91 1/2" x 80"
9'-0" x 6'-8"	109" x 79 1/2"	109 1/2" x 80"
12'-0" x 6'-8"	145" x 79 1/2"	145 1/2" x 80"
7'-6" x 8'-0"	91" x 95 1/2"	91 1/2" x 96"
9'-0" x 8'-0"	109" x 95 1/2"	109 1/2" x 96"
12'-0" x 8'-0"	145" x 95 1/2"	145 1/2" x 96"

Flat Casing Exterior Trim
OX-0 Shown, O-XO Opposite

MiWD MI WINDOWS AND DOORS
600 WEST MARKET STREET SUITE 200 PA 17003-0270

DESCRIPTION: Cross Sectional Drawing
OXO

PRODUCT: 390FR and EC190
DATE: 02/02/11

SCALE: 250 : 1
PART NUMBER:

DFTM: T.C.
DRAWING NUMBER: CS-000341

MATERIAL:	
FINISH:	
AREA:	
WEIGHT:	
PERIMETER:	
UNSPECIFIED WALL:	
BREAK ALL CORNERS R0.15, UNLESS OTHERWISE SPECIFIED	
REVISIONS:	
DATE:	
BY:	
ECN #	
LTR	

The information, design or data shown on this document or electronic media is the exclusive property of Mi Windows and Doors, LLC. It is considered confidential and proprietary and is made available for limited use only. Its use or reproduction without the expressed written consent of Mi Windows and Doors, LLC, is prohibited.