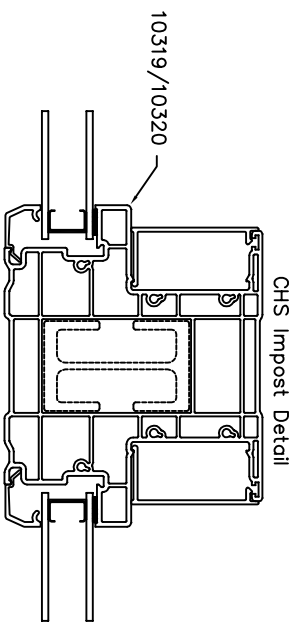
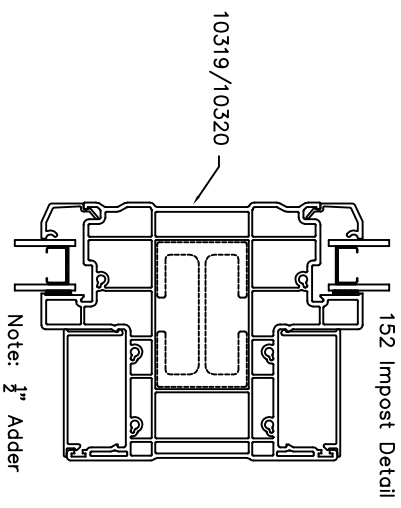
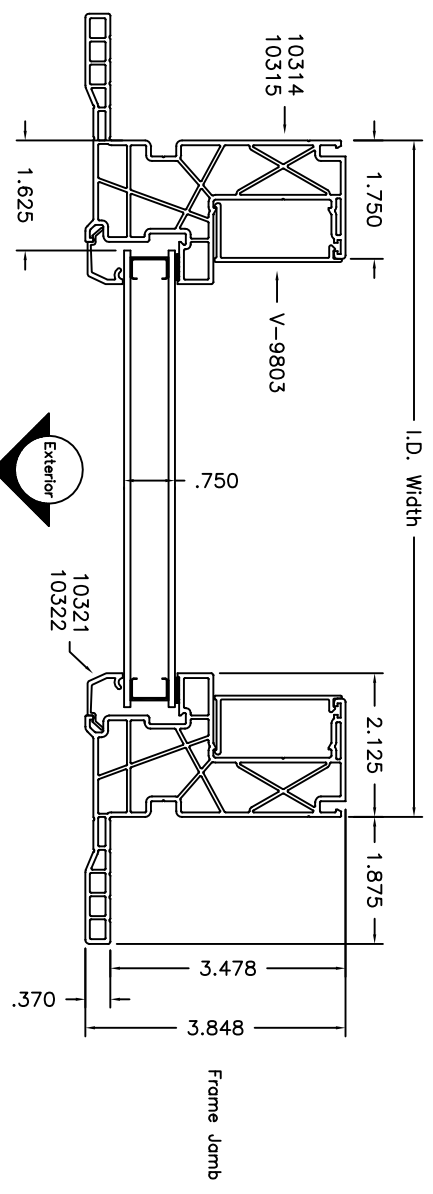
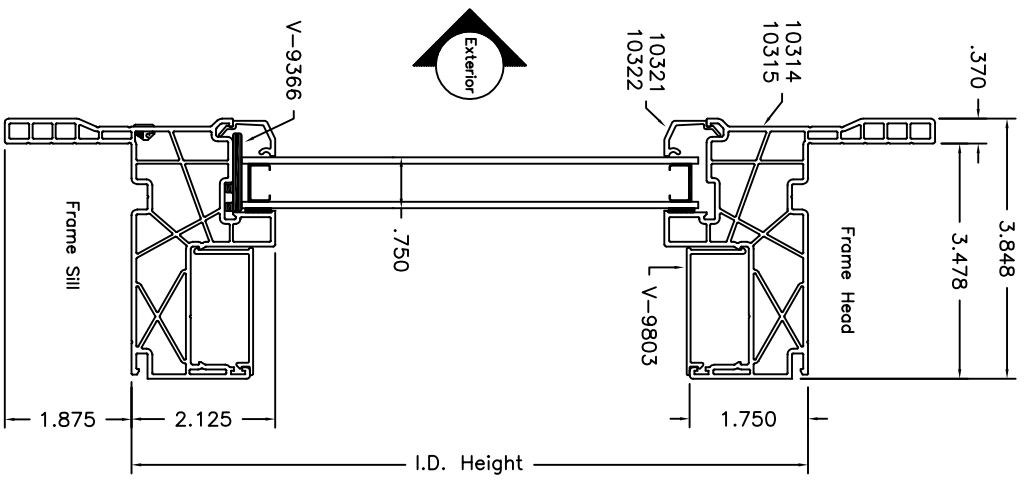
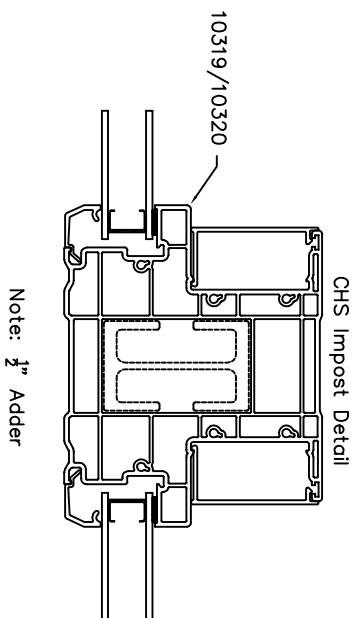
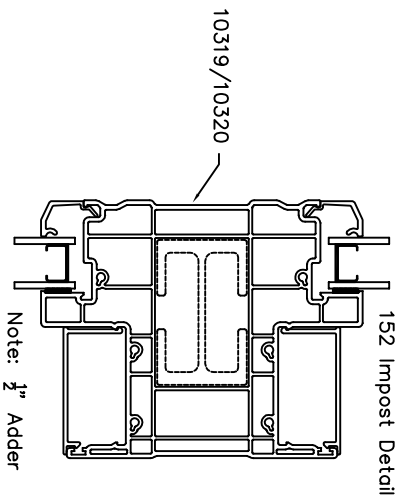
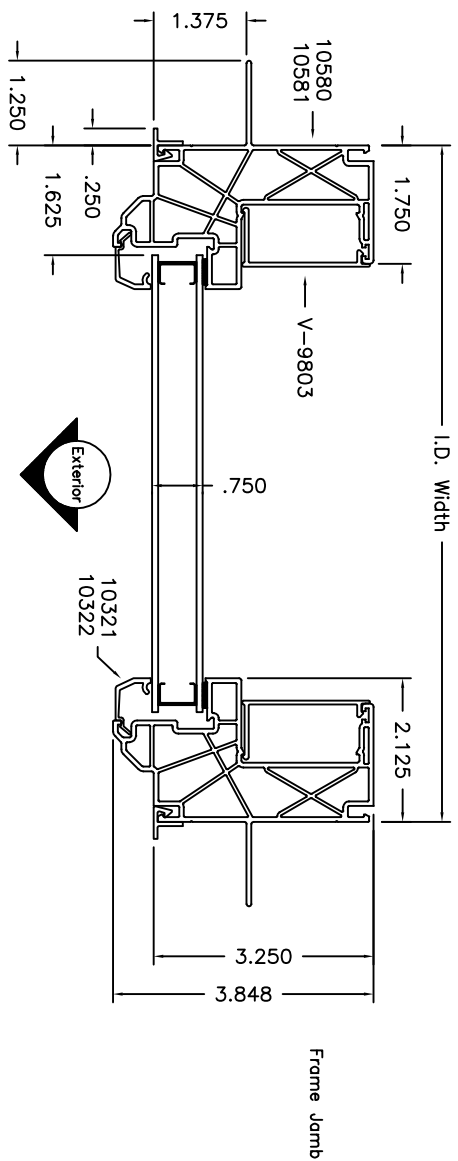
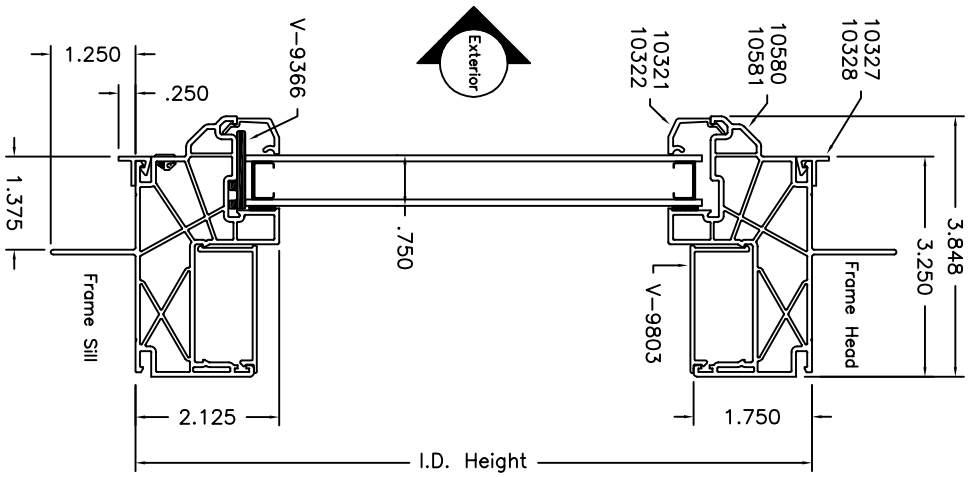


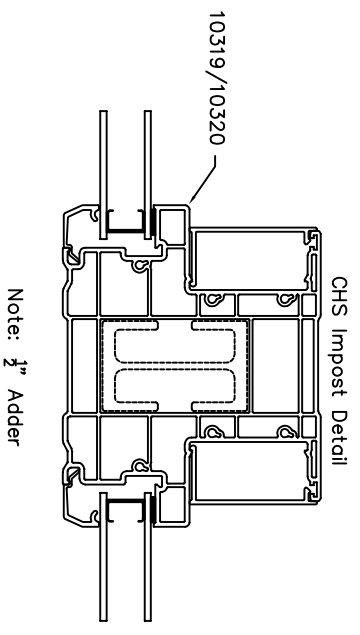
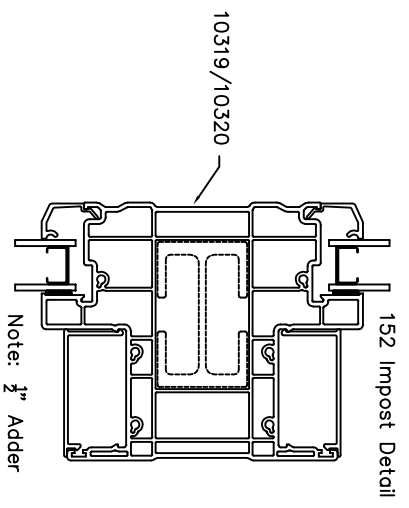
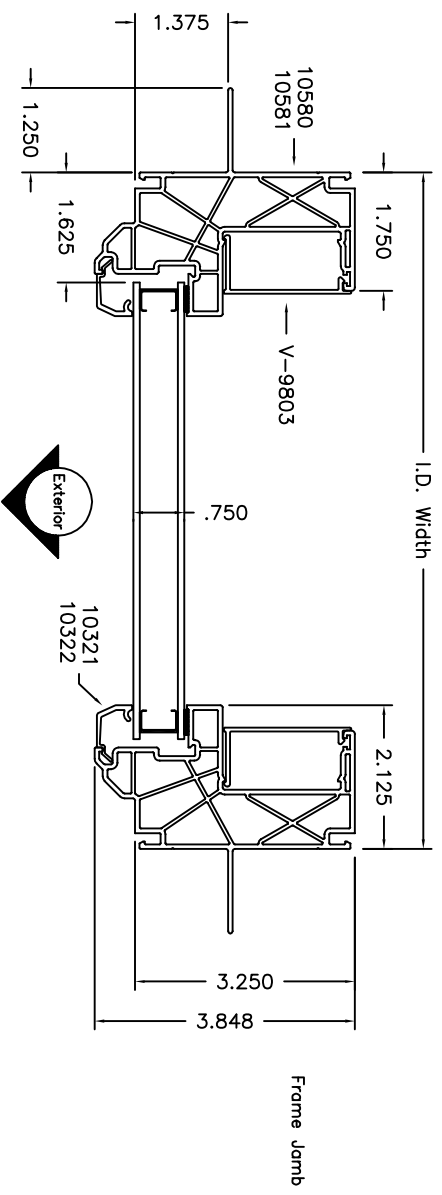
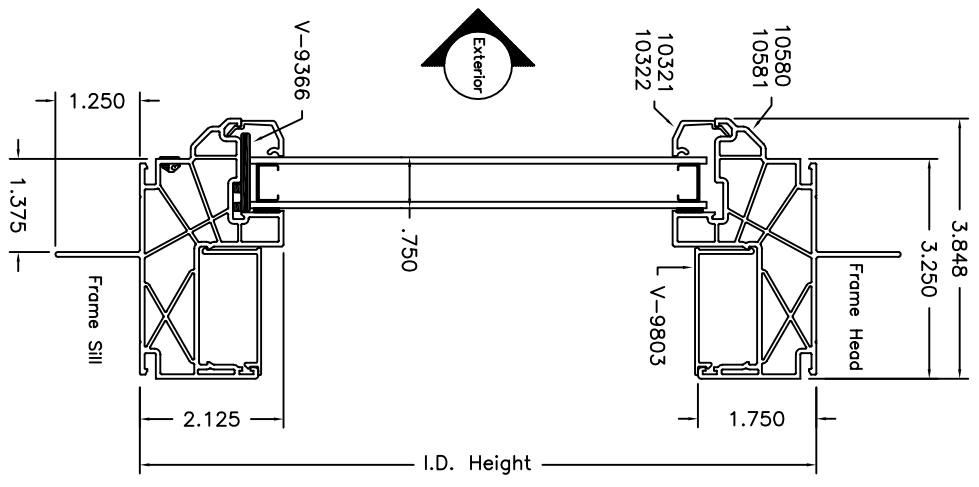
LTR		EON #		REVISIONS		DATE		BY		PERMETER:		WEIGHT:		BREAK ALL CORNERS R.015, UNLESS OTHERWISE SPECIFIED		UNSPECIFIED WALL:		FINISH:		MATERIAL:	
<p>MIWD MI WINDOWS AND DOORS 600 WEST MARKET STREET GAITHERSBURG, PA 17040-0370</p> <p>The information, design or data shown on this document or electronic media is the exclusive property of MI Windows and Doors, LLC. It is considered confidential and proprietary and is made available for limited use only. Its use or reproduction without the expressed written consent of MI Windows and Doors, LLC, is prohibited.</p>																					
DESCRIPTION:												Cross Sectional Drawing									
PRODUCT:												HM152 and HM155									
SCALE:												HHd/f									
PART NUMBER:												DATE: 11/19/13									
DRAWING NUMBER:												CS-000325									



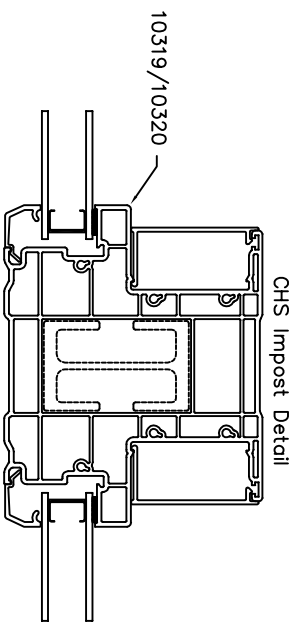
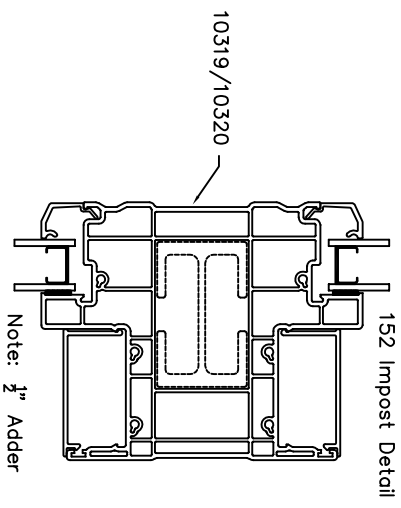
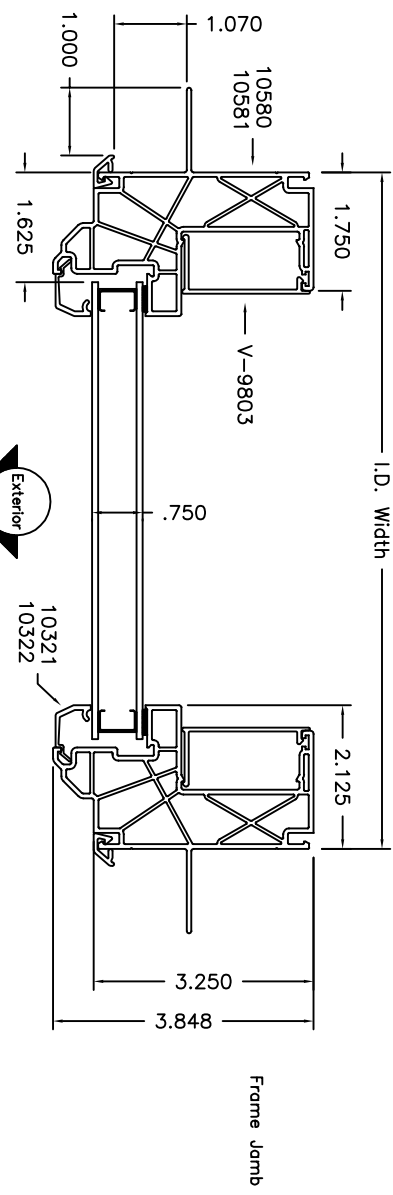
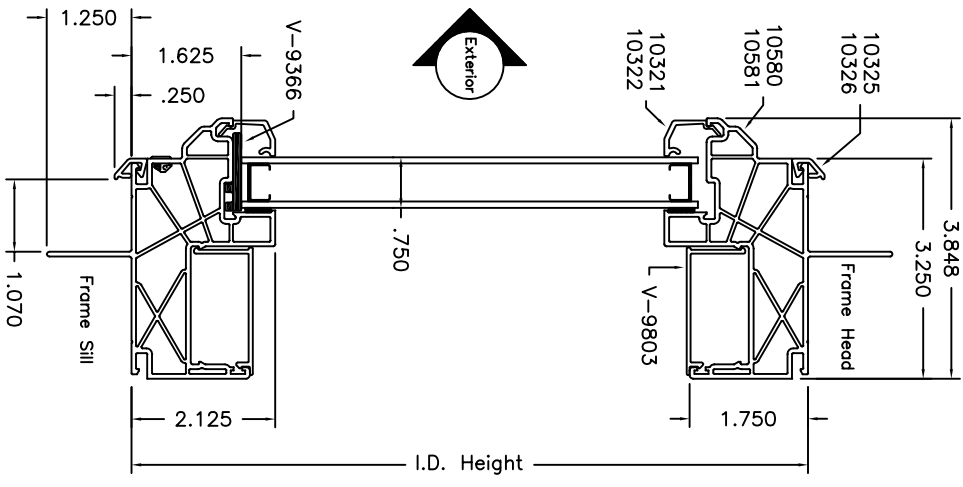
LTR		EON #		REVISIONS		DATE		BY		PERMETER:		WEIGHT:		MATERIAL:		FINISH:		UNSPECIFIED WALL:		<p>MWD MI WINDOWS AND DOORS 600 WEST MARKET STREET GAITHERSBURG, PA 17033-0370</p> <p>The information, design or data shown on this document or electronic media is the exclusive property of MI Windows and Doors, LLC. It is considered confidential and proprietary and is made available for limited use only. Its use or reproduction without the expressed written consent of MI Windows and Doors, LLC., is prohibited.</p>		DESCRIPTION:		PRODUCT:		SCALE:		PART NUMBER:		DATE:	
														Cross Sectional Drawing		Flange		HM152 and HM155		Half		CS-000329		11/19/13							



MATERIAL:		UNSPECIFIED WALL:		<p>MIMD MI WINDOWS AND DOORS 600 WEST MARKET STREET SUITE 204 PA 17033-0370</p> <p>The information, design or data shown on this document or electronic media is the exclusive property of MI Windows and Doors, LLC. It is considered confidential and proprietary and is made available for limited use only. Its use or reproduction without the expressed written consent of MI Windows and Doors, LLC., is prohibited.</p>	
FINISH:		AREC:			
WEIGHT:		BREAK ALL CORNERS R.015, UNLESS OTHERWISE SPECIFIED			
PERIMETER:					
DESCRIPTION:	1 3/8" Fin Setback, with Stucco Key			DATE:	11/19/13
SCALE:	Half			PART NUMBER:	
DFTM:	T.C.			DRAWING NUMBER:	CS-000328
REVISIONS:		DATE:	BY:		
ECN #					



MATERIAL:		UNSPECIFIED WALL:		<p>MIWD MI WINDOWS AND DOORS 605 WEST MARKET STREET SUITE 201 PA 17003-0370</p> <p>The information, design or data shown on this document or electronic media is the exclusive property of MI Windows and Doors, LLC. It is considered confidential and proprietary and is made available for limited use only. Its use or reproduction without the expressed written consent of MI Windows and Doors, LLC., is prohibited.</p>
FINISH:		AREC		
WEIGHT:		BREAK ALL CORNERS R.015, UNLESS OTHERWISE SPECIFIED		
PERIMETER:				
DESCRIPTION:	Cross Sectional Drawing			DATE: 11/19/13
SCALE: Half	PRODUCT: HM152 and HM155			PART NUMBER:
DFTM: T.C.	DRAWING NUMBER: CS-000327			
REVISIONS:		DATE:	BY:	
EON #				



LITERATURE		MATERIAL:		UNSPECIFIED WALL:		MIWD MI WINDOWS AND DOORS 600 WEST MARKET STREET SUITE 204 PA 17033-0370		DESCRIPTION: Cross Sectional Drawing 1" Fin Setback		DATE: 11/19/13	
ECN #		FINISH:		PERIMETER:		The information, design or data shown on this document or electronic media is the exclusive property of MI Windows and Doors, LLC. It is considered confidential and proprietary and is made available for limited use only. Its use or reproduction without the expressed written consent of MI Windows and Doors, LLC., is prohibited.		SCALE: Half		PART NUMBER:	
REVISIONS		AREC:		OTHERWISE SPECIFIED		PRODUCT: HM152 and HM155		DFTM: T.C.		DRAWING NUMBER: CS-000326	
DATE		WEIGHT:									
BY		PERMETER:									