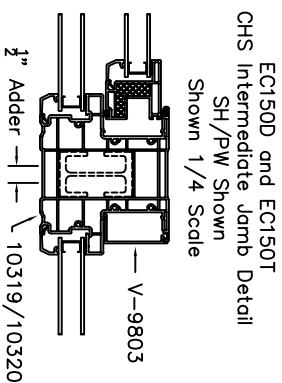
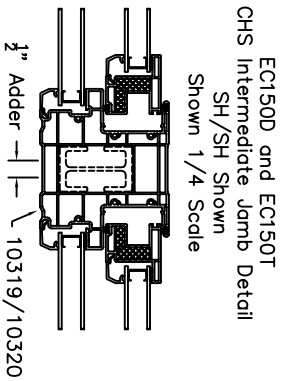
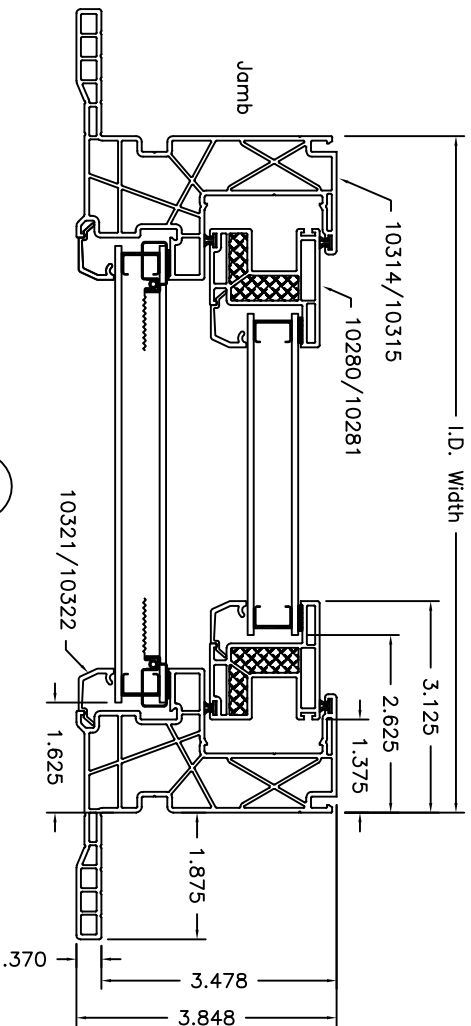
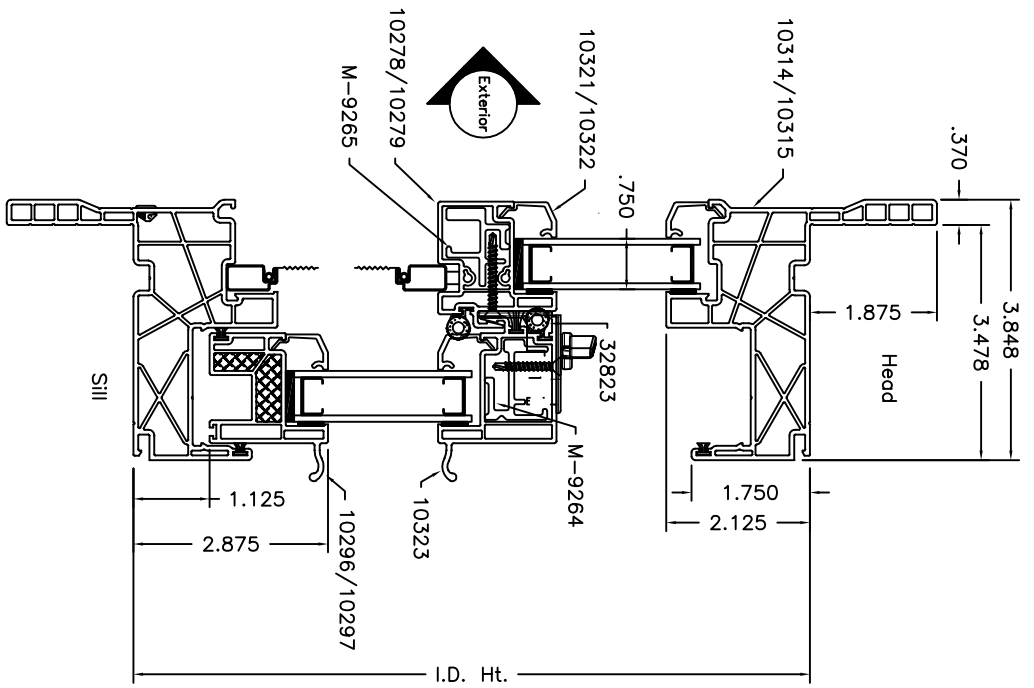
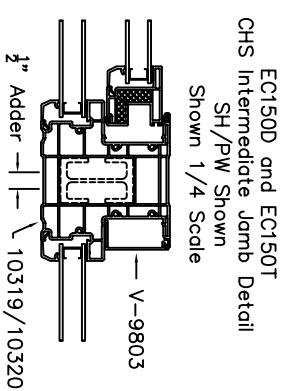
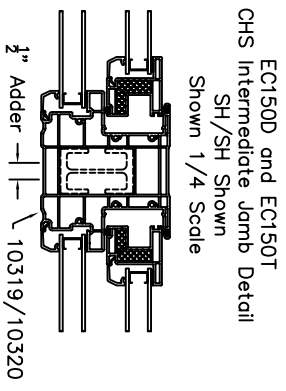
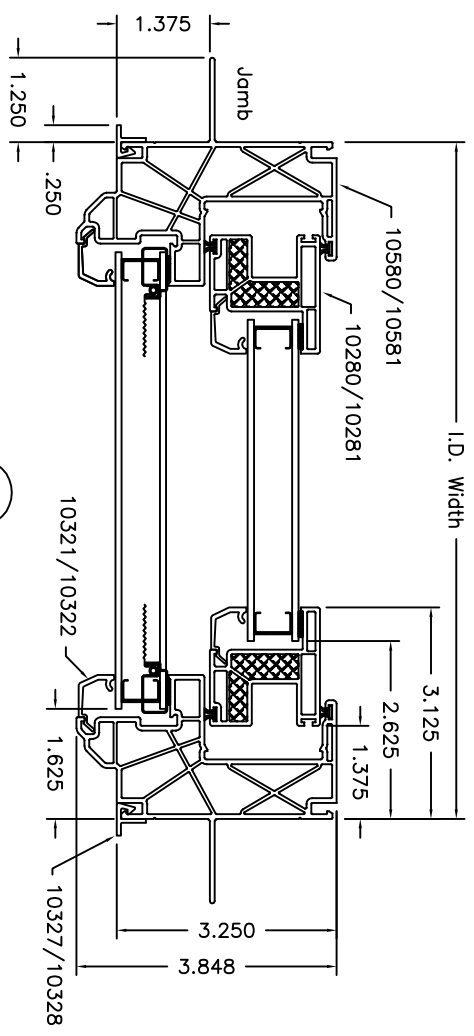
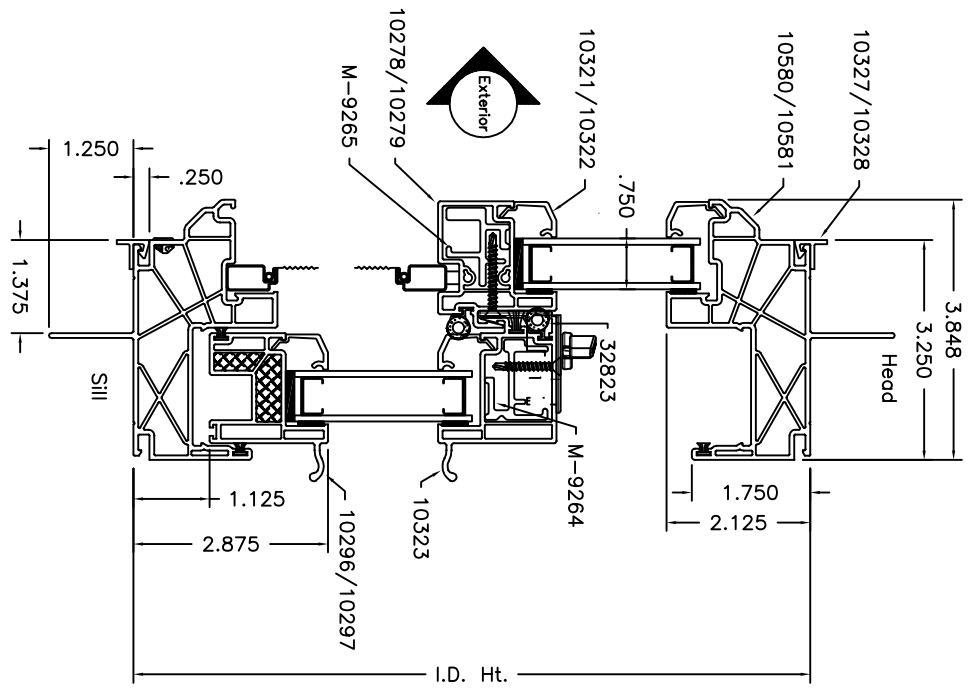


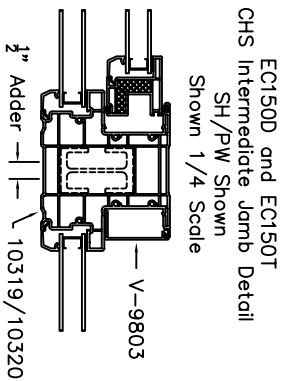
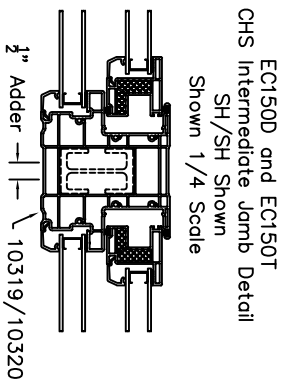
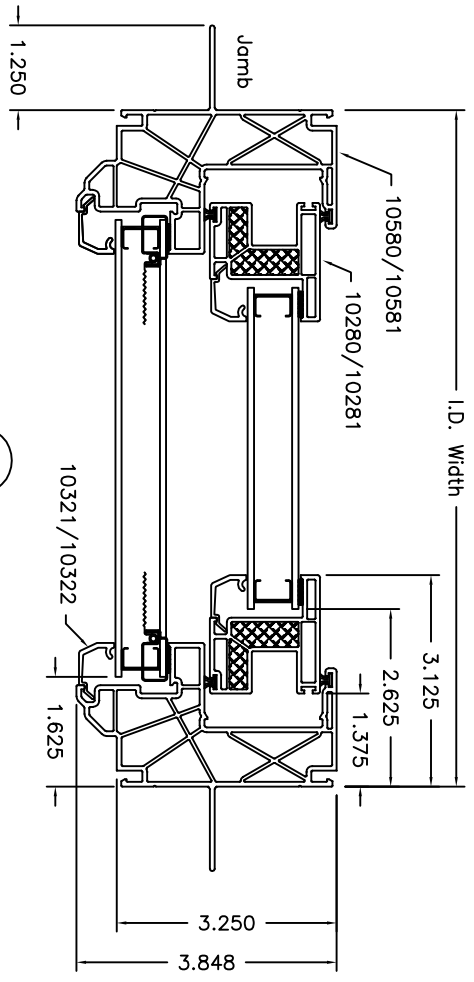
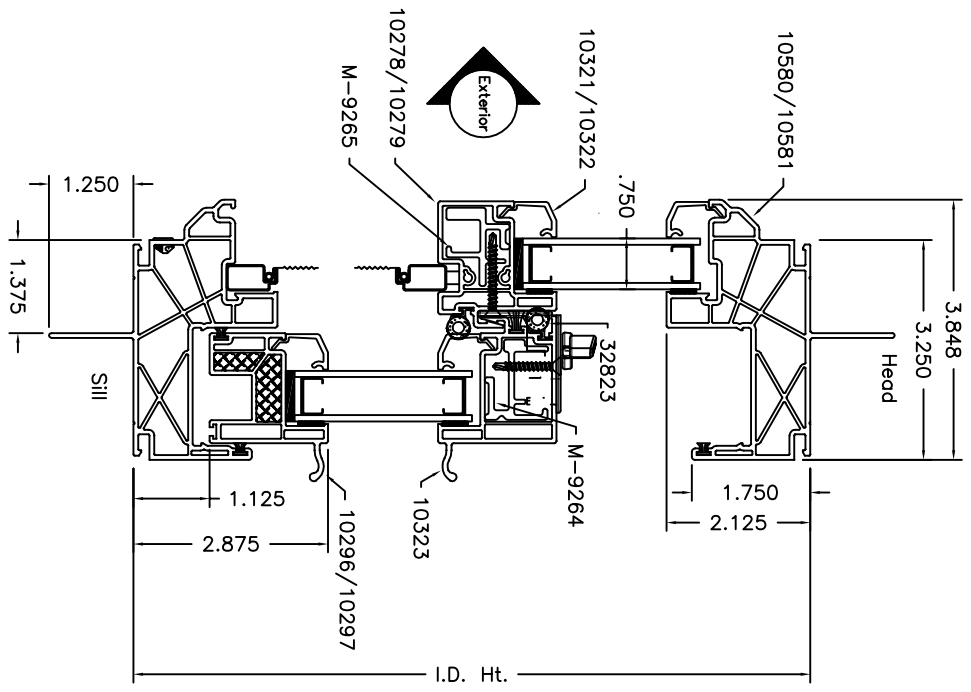
LITERATURE		MATERIAL:		UNSPECIFIED WALL:		DESCRIPTION: Single Hung, Finless Cross Sectional Drawing	
ECN #		FINISH:		BREAK ALL CORNERS R.015, UNLESS OTHERWISE SPECIFIED		PRODUCT: HM150	
REVISIONS		AREC:		The information, design or data shown on this document or electronic media is the exclusive property of MI Windows and Doors, LLC. It is considered confidential and proprietary and is made available for limited use only. Its use or reproduction without the expressed written consent of MI Windows and Doors, LLC., is prohibited.		SCALE: Half	
DATE		WEIGHT:		MI WINDS AND DOORS 600 WEST MARKET STREET GAITHERSBURG, MD 20878-4370		PART NUMBER:	
BY		PERIMETER:		DATE: 10/01/12		DRAWING NUMBER: CS-000215	



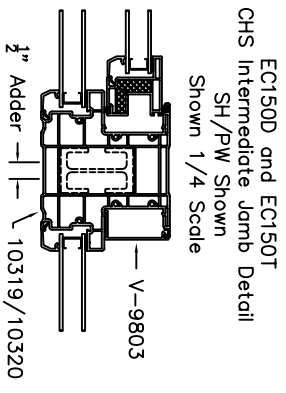
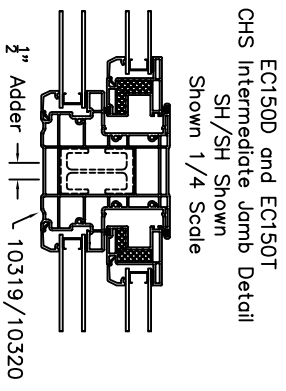
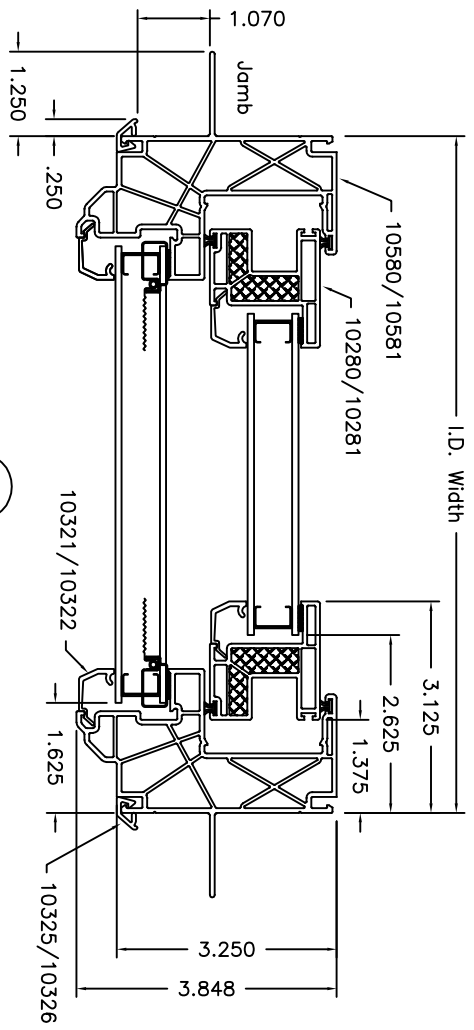
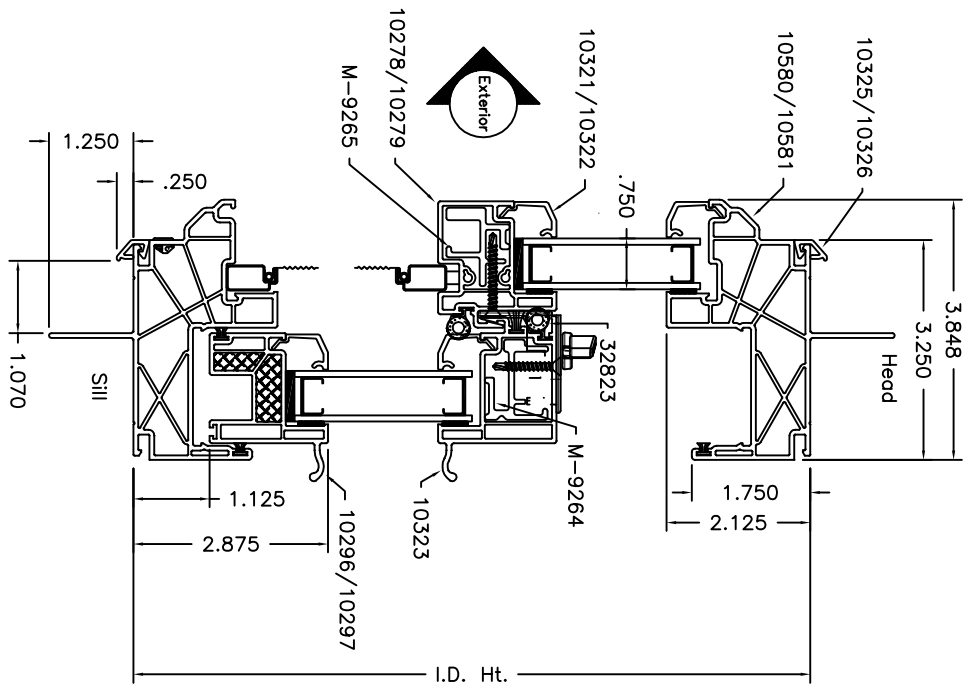
MATERIAL:		UNSPECIFIED WALL:		<p>MWD MI WINDOWS AND DOORS 600 WEST MARKET STREET GAITHERSBURG, PA 17033-0370</p> <p>The information, design or data shown on this document or electronic media is the exclusive property of MI Windows and Doors, LLC. It is considered confidential and proprietary and is made available for limited use only. Its use or reproduction without the expressed written consent of MI Windows and Doors, LLC., is prohibited.</p>	DESCRIPTION: Single Hung, Flange Cross Sectional Drawing	
FINISH:		AREC			PRODUCT: HM150	DATE: 10/01/12
WEIGHT:		PERIMETER:			SCALE: Half	PART NUMBER:
REVISIONS:		DATE:			DFTM: T.C.	DRAWING NUMBER: CS-000219
ECN #		BY				



LITERATURE		MATERIAL:		UNSPECIFIED WALL:		DESCRIPTION: Single Hung, 1 3/8" Fin Setback w/Stucco Key	
ECN #		FINISH:		UNSPECIFIED WALL:		Cross Sectional Drawing	
REVISIONS		AREA:		BREAK ALL CORNERS R.015, UNLESS OTHERWISE SPECIFIED		PRODUCT: HM150	
DATE		WEIGHT:		The information, design or data shown on this document or electronic media is the exclusive property of MI Windows and Doors, LLC. It is considered confidential and proprietary and is made available for limited use only. Its use or reproduction without the expressed written consent of MI Windows and Doors, LLC., is prohibited.		SCALE: Half	
BY		PERIMETER:		MI Windows and Doors, LLC. 600 WEST MARKET STREET SUITE 204 PA 17033-0270		PART NUMBER:	
						DATE: 10/01/12	
						DRAWING NUMBER: CS-000218	



LITERATURE		MATERIAL:		UNSPECIFIED WALL:		DESCRIPTION: Single Hung, 1 3/8" Fin Setback Cross Sectional Drawing	
ECN #		FINISH:		BREAK ALL CORNERS R.015, UNLESS OTHERWISE SPECIFIED		PRODUCT: HM150	
REVISIONS		AREA:		The information, design or data shown on this document or electronic media is the exclusive property of MI Windows and Doors, LLC. It is considered confidential and proprietary and is made available for limited use only. Its use or reproduction without the expressed written consent of MI Windows and Doors, LLC., is prohibited.		SCALE: Half	
DATE		WEIGHT:		MI Windows and Doors, LLC., 600 WEST MARKET STREET, GAITHERSBURG, MD 20878-1070, (301) 948-3370		PART NUMBER:	
BY		PERIMETER:		DATE: 10/01/12		DRAWING NUMBER: CS-000217	



LITERATURE		MATERIAL:		UNSPECIFIED WALL:		DESCRIPTION: Single Hung, 1" Fin Setback Cross Sectional Drawing	
ECN #		FINISH:		BREKAK ALL CORNERS R.015, UNLESS OTHERWISE SPECIFIED		PRODUCT: HM150	
REVISIONS		AREC:		The information, design or data shown on this document or electronic media is the exclusive property of MI Windows and Doors, LLC. It is considered confidential and proprietary and is made available for limited use only. Its use or reproduction without the expressed written consent of MI Windows and Doors, LLC., is prohibited.		SCALE: Half	
DATE		WEIGHT:		MI Windows and Doors, LLC., 600 WEST MARKET STREET, SUITE 200, GAITHERSBURG, MD 20878-1000		PART NUMBER:	
BY		PERIMETER:		DATE: 10/01/12		DRAWING NUMBER: CS-000216	