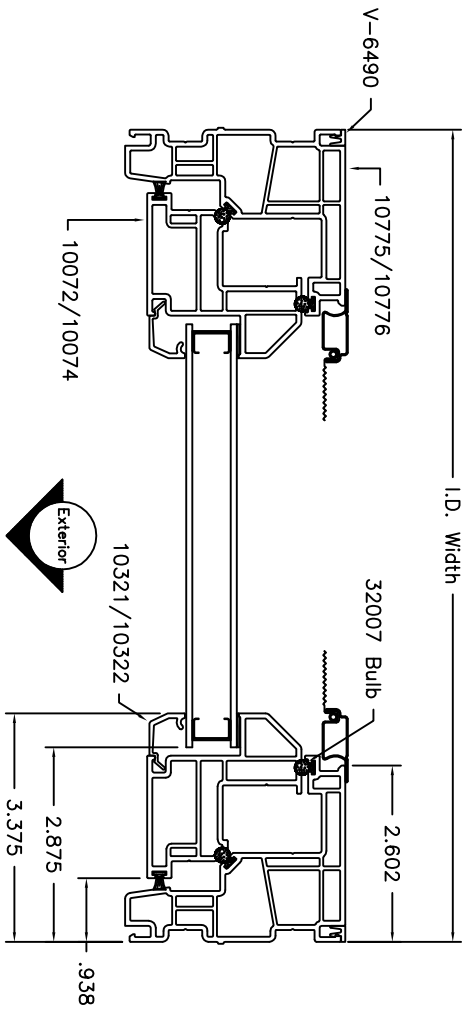
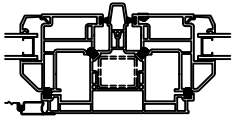
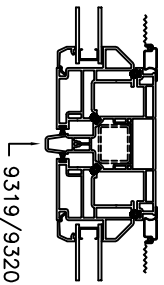


Fixed Over Casement  
Impost Detail  
Continuous Frame  
Shown 1/4 Scale

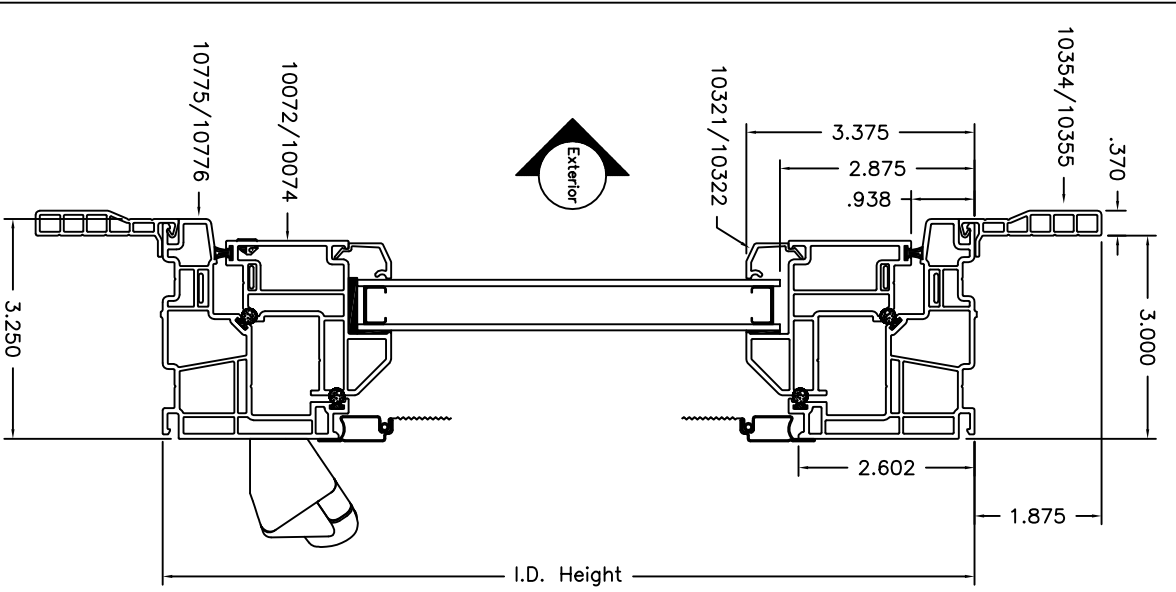


Multi-Panel Impost  
Shown 1/4 Scale

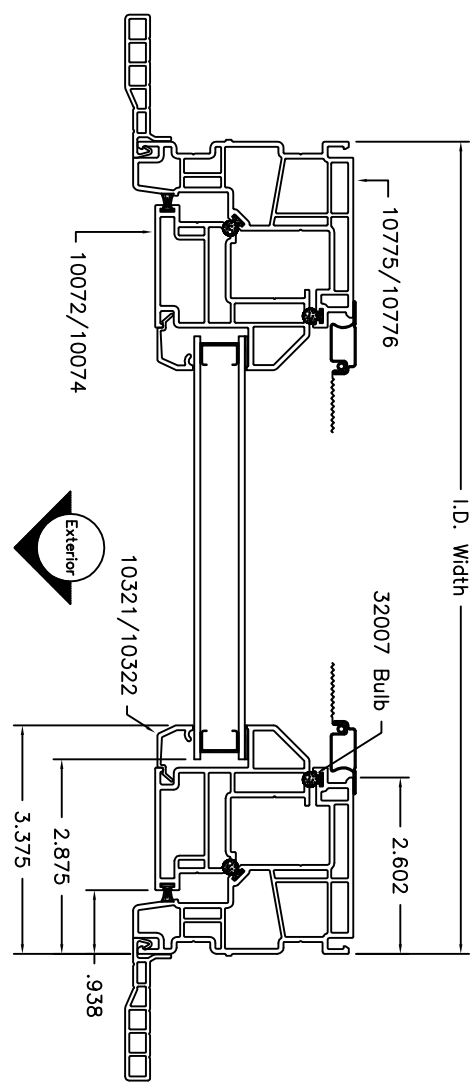
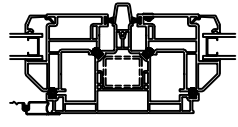


MATERIAL:		UNSPECIFIED WALL:		<b>MIWD</b> MI WINDOWS AND DOORS 600 WEST MARKET STREET GAITHERSBURG, PA 17033-0370		DESCRIPTION: Cross Sectional Drawing	
FINISH:		AREC:				Finless Frame	
T.C.:		T.C.:		PRODUCT: HM147		DATE: 10/01/12	
WEIGHT:		PERIMETER:		SCALE: Half		PART NUMBER:	
REVISIONS:		DATE:		DFTM: T.C.		DRAWING NUMBER: CS-000088	
REVISED sash profiles to Non Air Cell		11/08/15		REVISIONS:			
New frame without air cell		06/10/15		REVISIONS:			
ECN #		BY		REVISIONS:			
LITR		DATE		REVISIONS:			

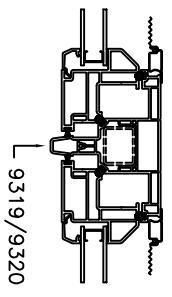
The information, design or data shown on this document or electronic media is the exclusive property of MI Windows and Doors, LLC. It is considered confidential and proprietary and is made available for limited use only. Its use or reproduction without the expressed written consent of MI Windows and Doors, LLC., is prohibited.



Fixed Over Casement  
Impost Detail  
Continuous Frame  
Shown 1/4 Scale

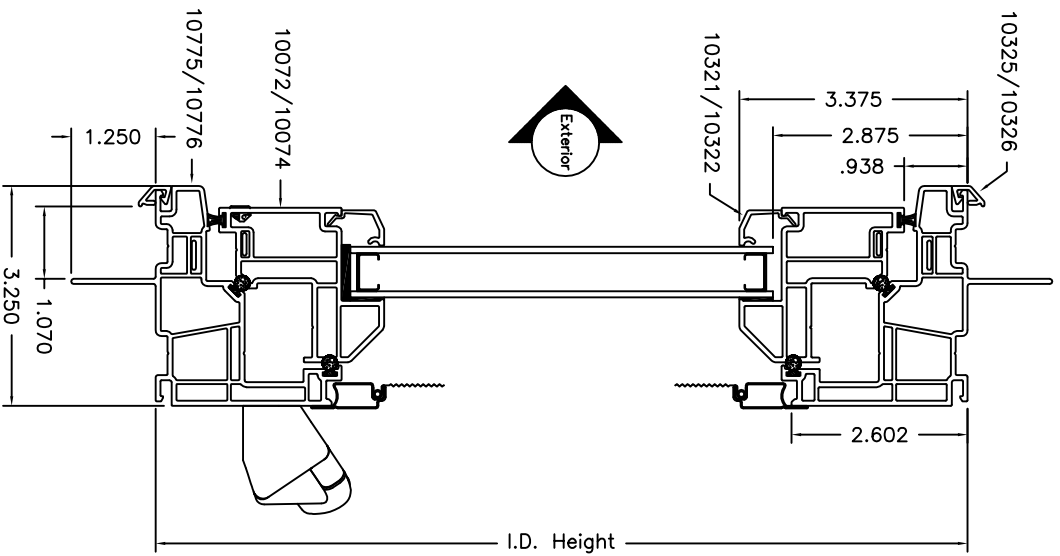


Multi-Panel Impost  
Shown 1/4 Scale

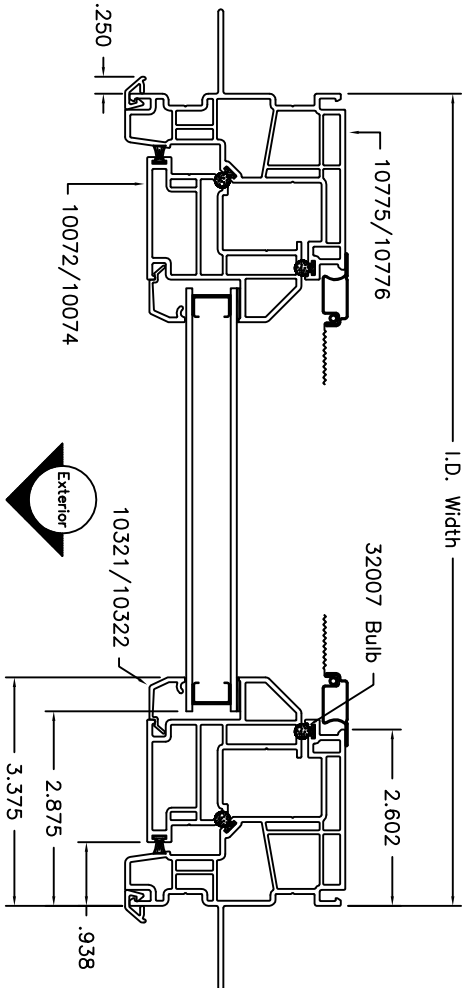
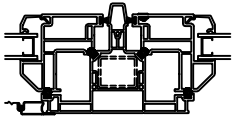


MATERIAL:		UNSPECIFIED WALL:		<b>MIWD</b> MI WINDOWS AND DOORS 600 WEST MARKET STREET GAITHERSBURG, MD 20878-0370	DESCRIPTION: Cross Sectional Drawing Flange Frame	
FINISH:		AREC:			PRODUCT: HM147	DATE: 10/01/12
F	135A-15	Revised sash profiles to Non Air Cell	WEIGHT:	BREAK ALL CORNERS R.015, UNLESS OTHERWISE SPECIFIED	SCALE: Half	PART NUMBER:
E	067A-15	New frame without air cell	PERIMETER:		DFTM: T.C.	DRAWING NUMBER: CS-000092
LITER		ECN #	REVISIONS	DATE	BY	

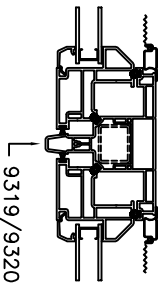
The information, design or data shown on this document or electronic media is the exclusive property of MI Windows and Doors, LLC. It is considered confidential and proprietary and is made available for limited use only. Its use or reproduction without the expressed written consent of MI Windows and Doors, LLC., is prohibited.



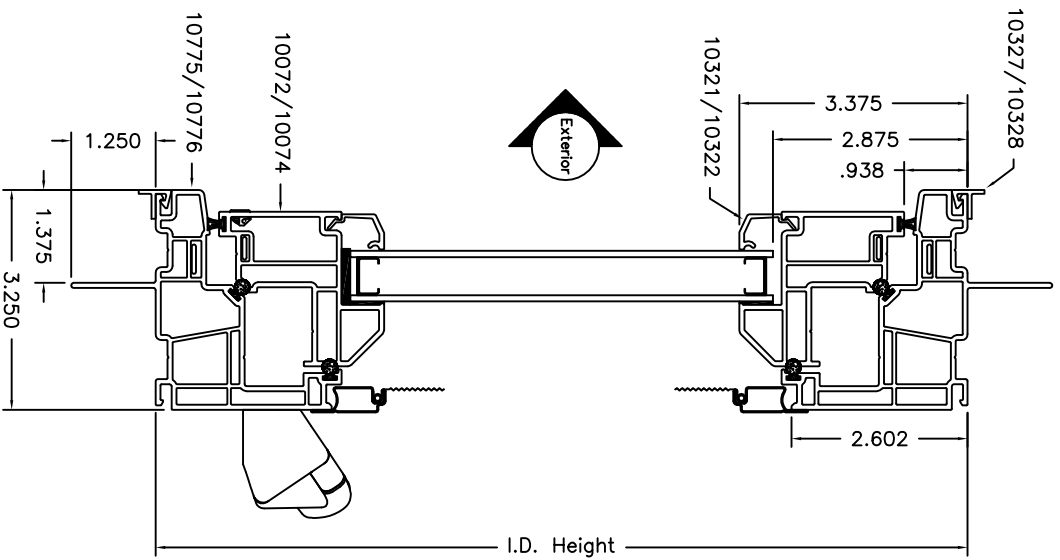
Fixed Over Casement  
Impost Detail  
Continuous Frame  
Shown 1/4 Scale



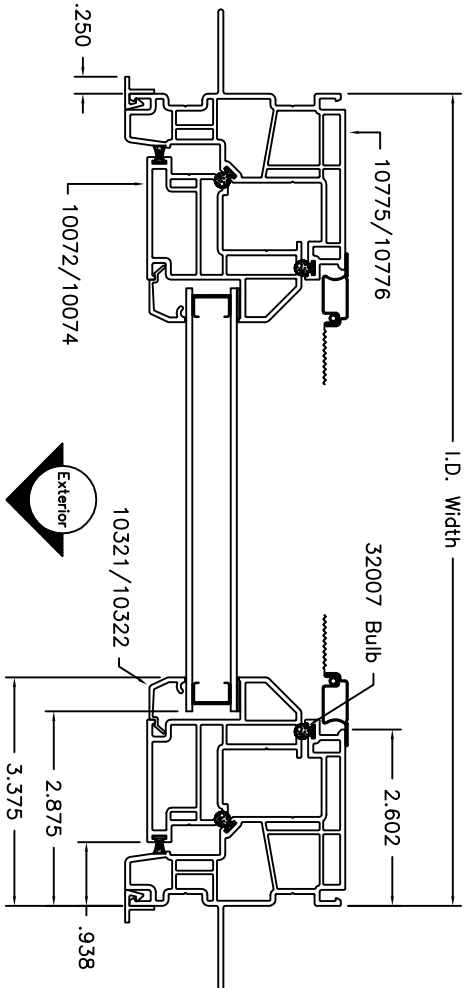
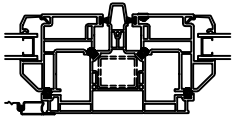
Multi-Panel Impost  
Shown 1/4 Scale



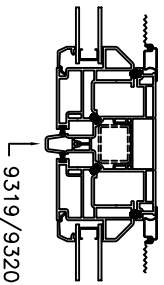
MATERIAL:		UNSPECIFIED WALL:		<b>MIWD</b> MI WINDOWS AND DOORS 600 WEST MARKET STREET GAITHERSBURG, PA 17040-0370		DESCRIPTION: Cross Sectional Drawing Fin Frame, 1" Setback	
FINISH:		AREC:				PRODUCT: HM147	DATE: 10/01/12
F	135A-15	Revised sash profiles to Non Air Cell	11/08/15	T.C.	The information, design or data shown on this document or electronic media is the exclusive property of MI Windows and Doors, LLC. It is considered confidential and proprietary and is made available for limited use only. Its use or reproduction without the expressed written consent of MI Windows and Doors, LLC., is prohibited.	SCALE: Half	PART NUMBER:
E	067A-15	New frame without air cell	06/10/15	T.C.		DFTM: T.C.	DRAWING NUMBER: CS-000091
LITER		ECN #	DATE	BY	PERMETER:		
		REVISIONS					



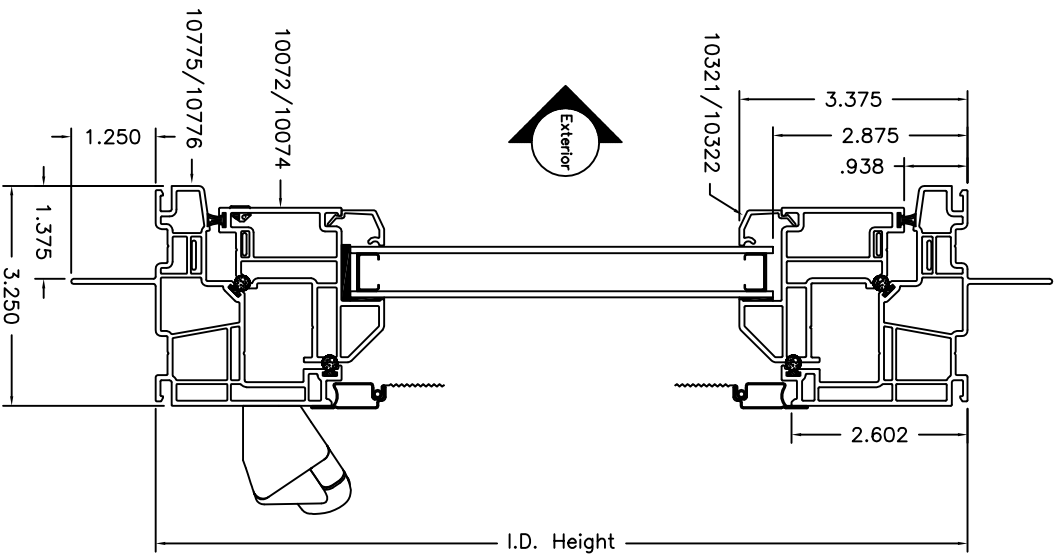
Fixed Over Casement  
Impost Detail  
Continuous Frame  
Shown 1/4 Scale



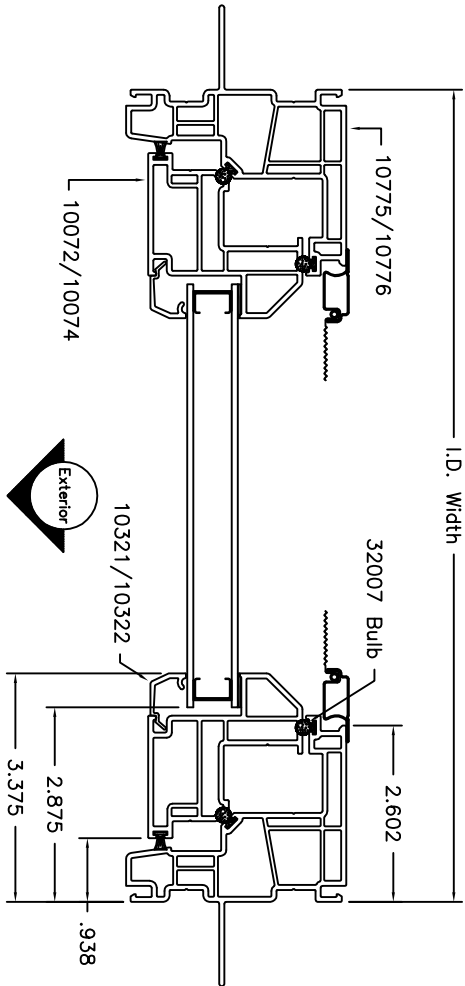
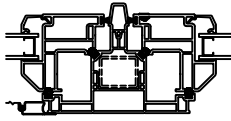
Multi-Panel Impost  
Shown 1/4 Scale



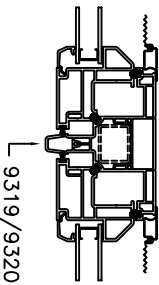
MATERIAL:		UNSPECIFIED WALL:		<p><b>MIWD</b> MI WINDOWS AND DOORS 400 WEST MARKET STREET GAITHERSBURG, MD 20878</p> <p>The information, design or data shown on this document or electronic media is the exclusive property of MI Windows and Doors, LLC. It is considered confidential and proprietary and is made available for limited use only. Its use or reproduction without the expressed written consent of MI Windows and Doors, LLC., is prohibited.</p>		DESCRIPTION: Cross Sectional Drawing Fin Frame, 1 3/8" Setback, With Stucco Key	
FINISH:		AREC:				PRODUCT: HM147	DATE: 10/01/12
WEIGHT:		PERIMETER:				SCALE: Half	PART NUMBER:
REVISIONS:		DATE				DRAWING NUMBER: CS-000090	
F	135A-15	Revised sash profiles to Non Air Cell	11/08/15	T.C.			
E	067A-15	New frame without air cell	06/10/15	T.C.			
LTR	ECN #						



Fixed Over Casement  
Impost Detail  
Continuous Frame  
Shown 1/4 Scale



Multi-Panel Impost  
Shown 1/4 Scale



MATERIAL:		UNSPECIFIED WALL:		<b>MIWD</b> MI WINDOWS AND DOORS 600 WEST MARKET STREET GAITHERSBURG, MD 20878-0270	DESCRIPTION: Cross Sectional Drawing Fin Frame, 1 3/8" Setback	
FINISH:		AREC:			PRODUCT: HM147	DATE: 10/01/12
REVISIONS:		PERIMETER:		SCALE: Half		PART NUMBER:
E 067A-15 New frame without air cell		06/10/15 T.C.		DFTM: T.C.		DRAWING NUMBER: CS-000089
F 135A-15 Revised sash profiles to Non Air Cell		11/08/15 T.C.				
LITER		BY				

The information, design or data shown on this document or electronic media is the exclusive property of MI Windows and Doors, LLC. It is considered confidential and proprietary and is made available for limited use only. Its use or reproduction without the expressed written consent of MI Windows and Doors, LLC., is prohibited.