

Width Information

Nominal Width	Finished Opening Width	Doylight Finished Opening	Exterior Pocket Wall	Interior Pocket Wall	I.D. Frame Width	Total Rough Opening
5-0	61 1/8"	61 5/8"	31 3/32"	32 5/8"	92 1/4"	92 3/4"
6-0	73 1/8"	73 5/8"	37 3/32"	38 5/8"	110 1/4"	110 3/4"
8-0	97 1/8"	97 5/8"	49 3/32"	50 5/8"	146 1/4"	146 3/4"

Height Information

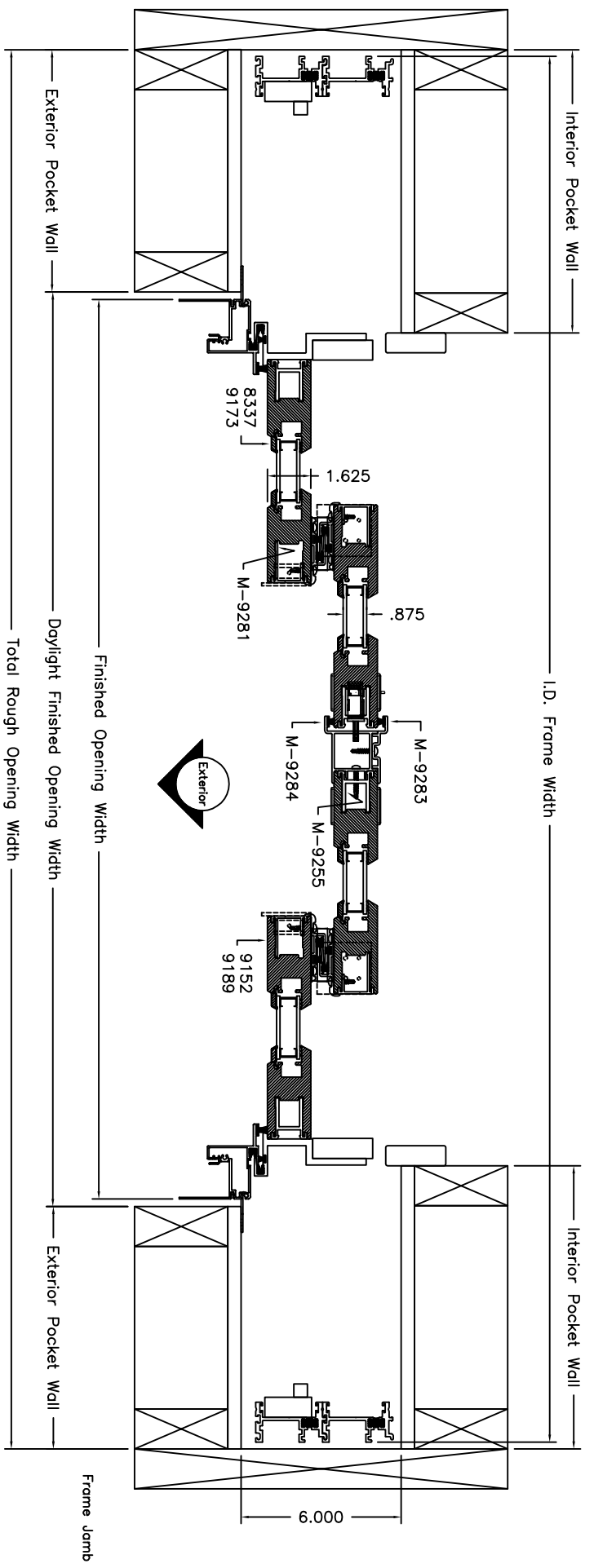
Nominal Ht.	I.D. Height	Rough Opening Ht.
6-8	79 1/4"	79 3/4"
8-0	95 1/4"	95 3/4"

MATERIAL:		FINISH:		UNSPECIFIED WALL:		 <small>400 WEST MARKET STREET GAITHERSBURG, MD 20878-0370</small>		DESCRIPTION: Cross Sectional Drawing XIP/PIX Configurations	
026A-16		Hoop strip now exterior, frame widths revised		02/10/16		T.C. AREA:		DATE: 09/10/14	
019A-15		Release exterior flush pull		02/10/15		T.C. WEIGHT:		SCALE: 1 : 4	
002A-15		ID Width reduced 3/16"		01/13/15		T.C. PERIMETER:		PART NUMBER:	
ECN #		REVISIONS		DATE		BY		DRAWING NUMBER: CS-000036	
LTR								DFTK: Tony Collins	

The information, design or data shown on this document or electronic media is the exclusive property of MI Windows and Doors, LLC. It is considered confidential and proprietary and is made available for limited use only. Its use or reproduction without the expressed written consent of MI Windows and Doors, LLC, is prohibited.

XIP Shown, PIX Opposite

XIP Shown, PIX Opposite



For Vertical Cross Section, See Drawing # CS-000036

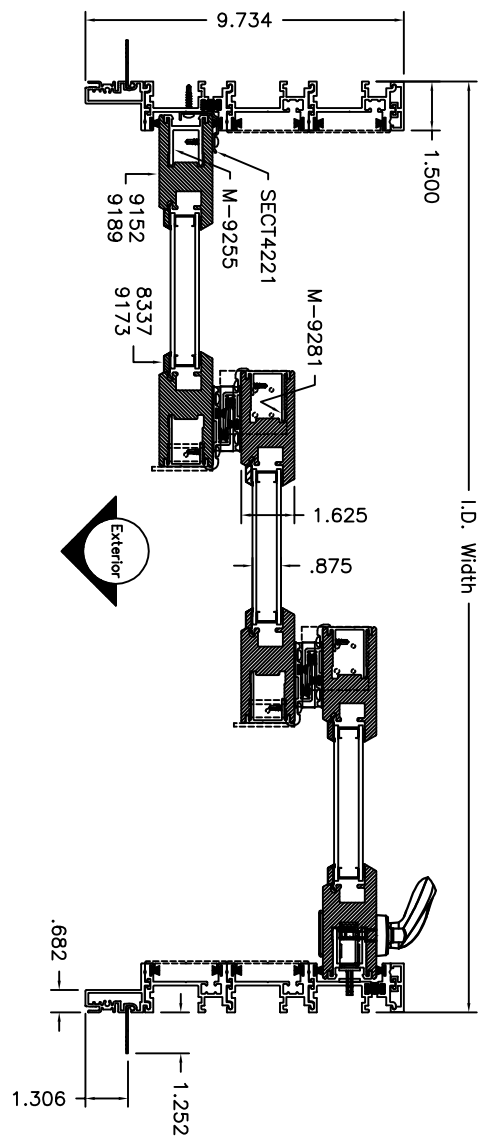
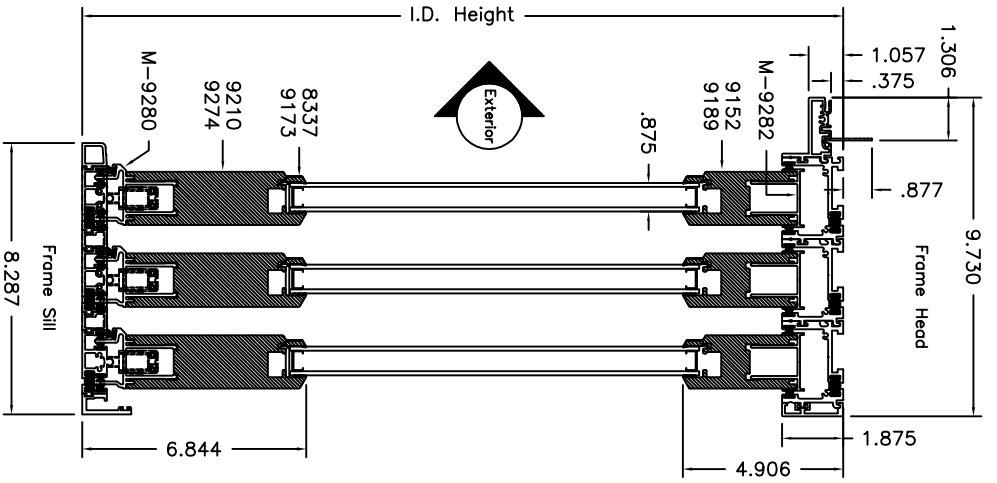
Width Information

Nominal Width	Finished Opening Width	Doylight Finished Opening	Exterior Pocket Wall	Interior Pocket Wall	I.D. Frame Width	Total Rough Opening
10-0	121 3/4"	122 5/16"	31 3/32"	32 5/8"	184"	184 1/2"
12-0	145 3/4"	146 5/16"	37 3/32"	38 5/8"	220"	220 1/2"
16-0	193 3/4"	194 5/16"	49 3/32"	50 5/8"	292"	292 1/2"

Height Information

Nominal Ht.	I.D. Height	Rough Opening Ht.
6-8	79 1/4"	79 3/4"
8-0	95 1/4"	95 3/4"

		MATERIAL:			
		FINISH:		UNSPECIFIED WALL:	
C	026A-16	Hook strip now exterior, frame widths revised	02/10/16	T.C. AREA:	
B	019A-15	Release exterior flush pull	02/10/15	T.C. WEIGHT:	BREAK ALL CORNERS R.O.T.S, UNLESS OTHERWISE SPECIFIED
A	002A-15	ID Width reduced, interior trim now standard	01/14/15	T.C. PERIMETER:	
LTR	ECN #	REVISIONS	DATE	BY	
<p>MIWD MI WINDOWS AND DOORS 400 WEST MARKET STREET GAITHERSBURG, MD 20878-0370</p> <p>The information, design or data shown on this document or electronic media is the exclusive property of MI Windows and Doors, LLC. It is considered confidential and proprietary and is made available for limited use only. Its use or reproduction without the expressed written consent of MI Windows and Doors, LLC., is prohibited.</p>					
DESCRIPTION: Cross Sectional Drawing PIXIXIP Configuration					
PRODUCT: 192P Multi Slide					
SCALE: 1 : 4					
PART NUMBER:					
DRAWING NUMBER: CS-000038					
DATE: 09/10/14					
DFTM: Tony Collins					



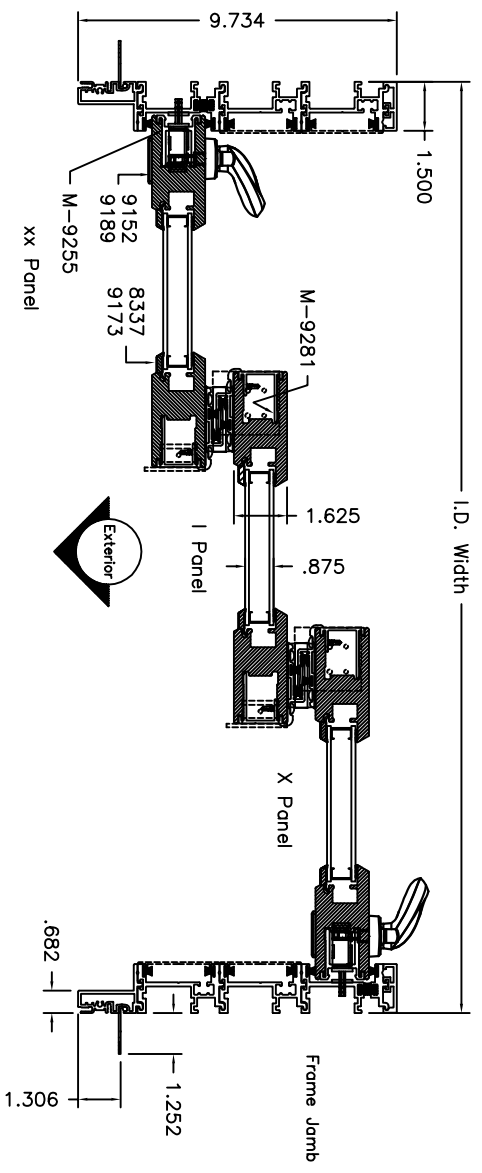
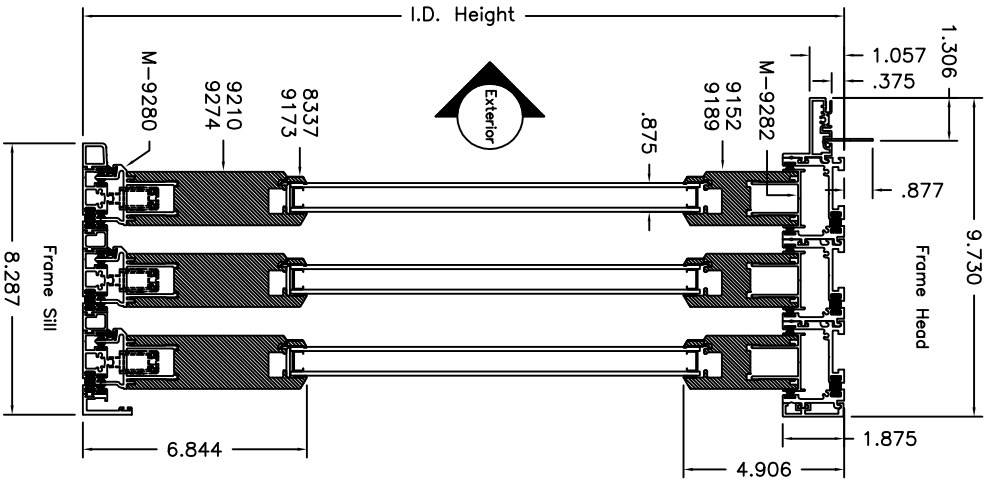
OIX Shown, XIO Opposite

Call Size	I.D. Size	Rough Opening
7-6 x 6-8	87 5/16" x 79 1/4"	87 13/16" x 79 3/4"
9-0 x 6-8	105 5/16" x 79 1/4"	105 13/16" x 79 3/4"
12-0 x 6-8	141 5/16" x 79 1/4"	141 13/16" x 79 3/4"
15-0 x 6-8	177 5/16" x 79 1/4"	177 13/16" x 79 3/4"
7-6 x 8-0	87 5/16" x 95 1/4"	87 13/16" x 95 3/4"
9-0 x 8-0	105 5/16" x 95 1/4"	105 13/16" x 95 3/4"
12-0 x 8-0	141 5/16" x 95 1/4"	141 13/16" x 95 3/4"
15-0 x 8-0	177 5/16" x 95 1/4"	177 13/16" x 95 3/4"

MATERIAL:		UNSPECIFIED WALL:		MATERIAL:		UNSPECIFIED WALL:	
FINISH:		AREA:		FINISH:		AREA:	
T.C.:		T.C.:		T.C.:		T.C.:	
DATE:		DATE:		DATE:		DATE:	
BY:		BY:		BY:		BY:	
PERIMETER:		PERIMETER:		PERIMETER:		PERIMETER:	
REVISIONS:		REVISIONS:		REVISIONS:		REVISIONS:	
B		019A-15		Release exterior flush pull		02/10/15	
A		002A-15		ID Width reduced 3/16", interior trim now std.		01/02/15	
ENR #							
DESCRIPTION:		Cross Sectional Drawing		PRODUCT: 193T		DATE: 09/10/14	
OIX or XIO Configurations		SCALE: 1 : 4		PART NUMBER:		DRAWING NUMBER: CS-000040	
DFTM: Tony Collins							

MiWD MI WINDOWS AND DOORS
60 WEST MARKET STREET ORTZ, PA 17050-0370

The information, design or data shown on this document or electronic products of Mi Windows and Doors, LLC. It is provided as a reference only. The use of this information without the expressed written consent of Mi Windows and Doors, LLC, is prohibited.



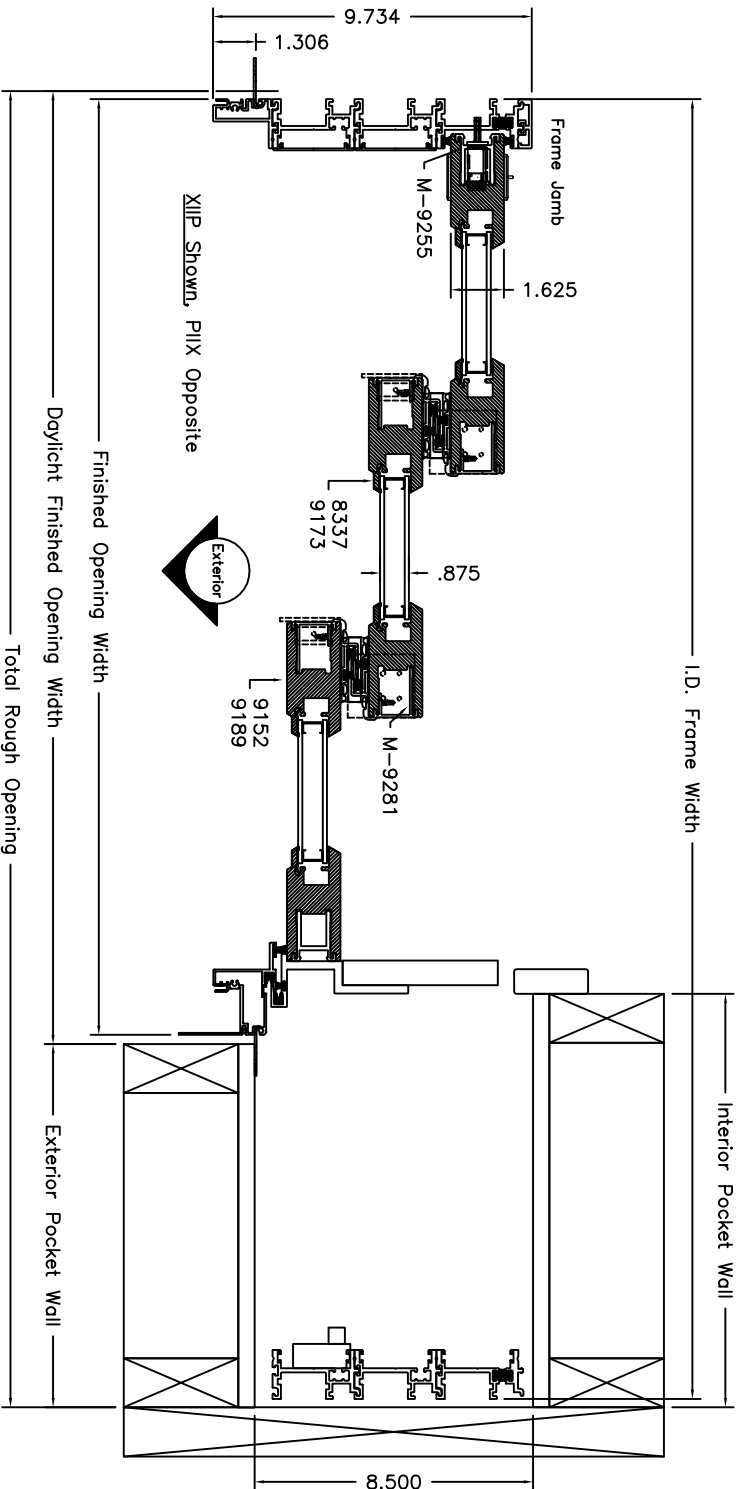
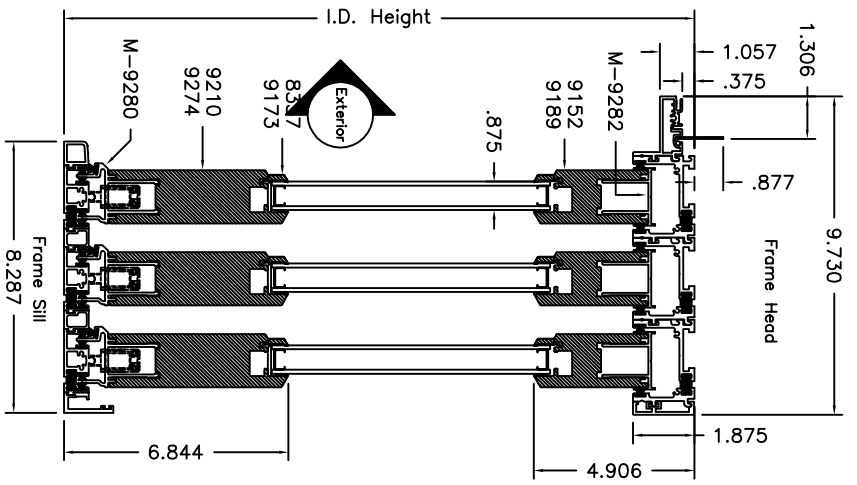
xxix shown, Xixx opposite

Coll Size	I.D. Size	Rough Opening
7-6 x 6-8	87 5/16" x 79 1/4"	87 13/16" x 79 3/4"
9-0 x 6-8	105 5/16" x 79 1/4"	105 13/16" x 79 3/4"
12-0 x 6-8	141 5/16" x 79 1/4"	141 13/16" x 79 3/4"
15-0 x 6-8	177 5/16" x 79 1/4"	177 13/16" x 79 3/4"
7-6 x 8-0	87 5/16" x 95 1/4"	87 13/16" x 95 3/4"
9-0 x 8-0	105 5/16" x 95 1/4"	105 13/16" x 95 3/4"
12-0 x 8-0	141 5/16" x 95 1/4"	141 13/16" x 95 3/4"
15-0 x 8-0	177 5/16" x 95 1/4"	177 13/16" x 95 3/4"

MATERIAL:		UNSPECIFIED WALL:		DESCRIPTION: Cross Sectional Drawing XIX Configuration	
FINISH:		AREA:		PRODUCT: 193T Multi Slide	
T.C.:		PERIMETER:		PART NUMBER:	
DATE:		DATE:		DRAWING NUMBER: CS-000042	
REVISIONS:		BREAK ALL CORNERS R.015, UNLESS OTHERWISE SPECIFIED		DATE: 09/10/14	
A 002A-15 ID Width reduced 3/16", interior trim now std.		02/10/15 T.C.		SCALE: 1 : 4	
B 019A-15 Release exterior flush pull		01/02/15 T.C.		DPTM: Tony Collins	
ECN #		BY		DATE: 09/10/14	

MILWD MI WINDOWS AND DOORS
400 WEST MARKET STREET GAITHERSBURG, MD 20878-0370

The information, design or data shown on this document or electronic media is the property of Mil Windows and Doors, LLC. It is intended for use only for the project and is not to be used for any other project without the expressed written consent of Mil Windows and Doors, LLC. It is prohibited.



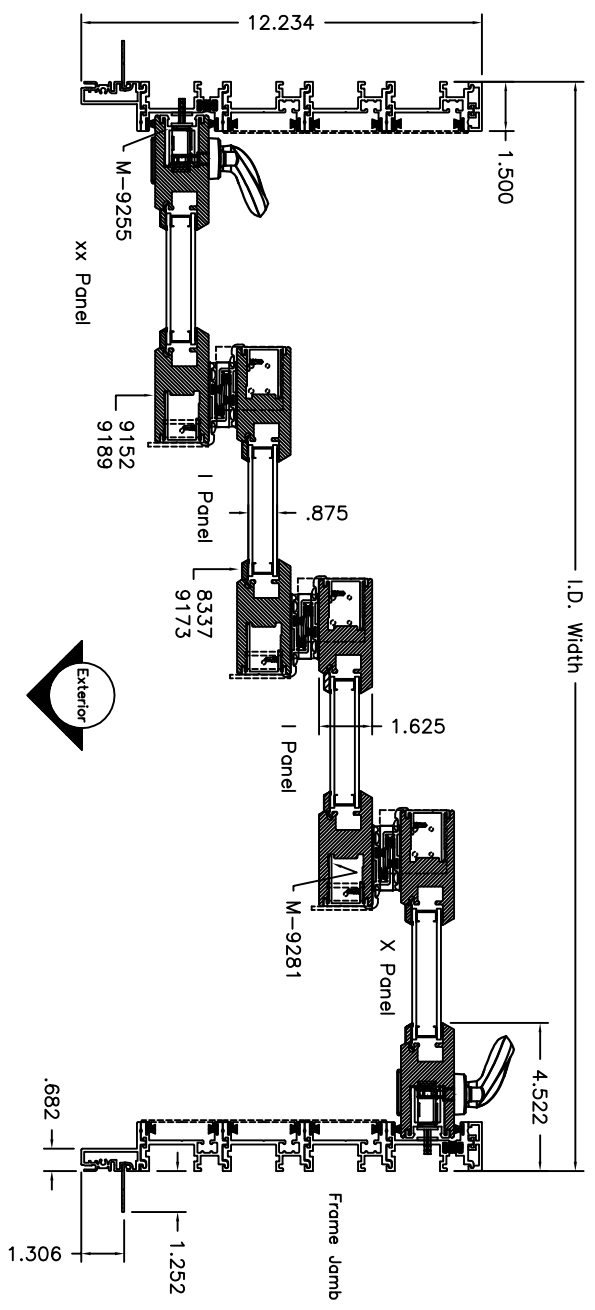
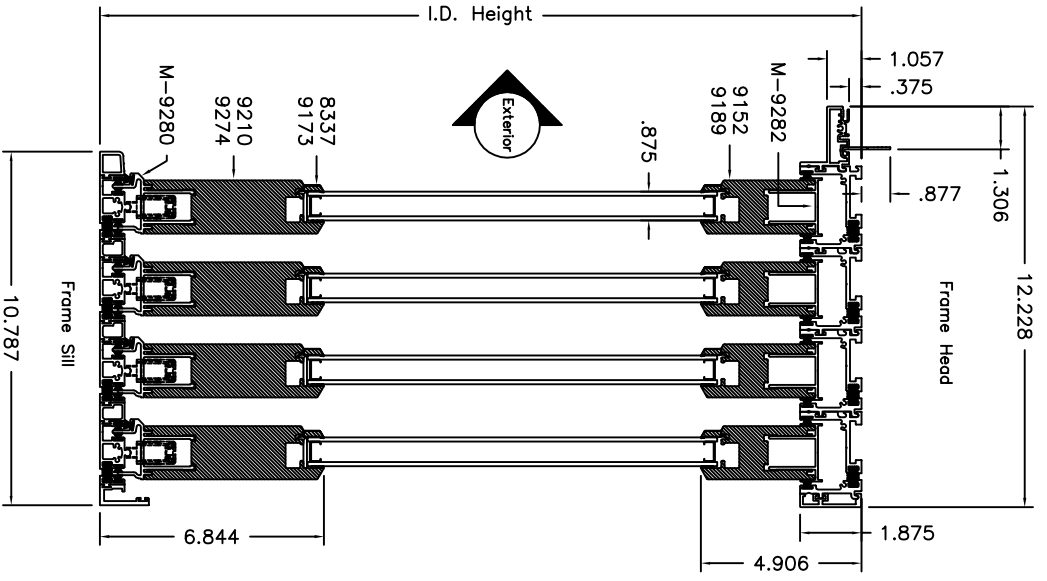
Width Information

Nominal Width	Finished Opening Width	Doylicht Finished Opening	Exterior Pocket Wall	Interior Pocket Wall	I.D. Frame Width	Total Rough Opening
7-6	88 9/16"	89 3/32"	31 3/32"	32 5/8"	119 11/16"	120 3/16"
9-0	106 9/16"	107 3/32"	37 3/32"	38 5/8"	143 11/16"	144 3/16"
12-0	142 9/16"	143 3/32"	49 3/32"	50 5/8"	191 11/16"	192 3/16"

Height Information

Nominal Ht.	I.D. Height	Rough Opening Ht.
6-8	79 1/4"	79 3/4"
8-0	95 1/4"	95 3/4"

		MATERIAL:			
		FINISH:			
		UNSPECIFIED WALL:			
C	026A-16	Hook strip now exterior, frame widths revised	02/11/16	T.C.	AREA:
B	019A-15	Release exterior flush pull	02/10/15	T.C.	WEIGHT:
A	002A-15	Width reduced, interior trim now standard	01/15/15	T.C.	PERIMETER:
LTR		ECN #		REVISIONS	
		DATE		BY	
<p>MIPWD MI WINDOWS AND DOORS 500 WEST MARKET STREET DENVER, CO 80202-0370</p> <p>The information, design or data shown on this document or electronic media is the sole property of MI Windows and Doors, LLC. It is considered confidential and proprietary and is made available for limited use only. Its use or reproduction without the expressed written consent of MI Windows and Doors, LLC, is prohibited.</p>					
DESCRIPTION: Cross Sectional Drawing XIP or Plix Configuration			PRODUCT: 193PT		
SCALE: 1 : 4			PART NUMBER:		
DTRK: Tony Collins			DRAWING NUMBER: CS-000044		
			DATE: 09/10/14		



xxlix shown, Xlix opposite

Call Size	I.D. Size	Rough Opening
10-0 x 6-8	114 3/4" x 79 1/4"	115 1/4" x 79 3/4"
12-0 x 6-8	138 3/4" x 79 1/4"	139 1/4" x 79 3/4"
16-0 x 6-8	186 3/4" x 79 1/4"	187 1/4" x 79 3/4"
10-0 x 8-0	114 3/4" x 95 1/4"	115 1/4" x 95 3/4"
12-0 x 8-0	138 3/4" x 95 1/4"	139 1/4" x 95 3/4"
16-0 x 8-0	186 3/4" x 95 1/4"	187 1/4" x 95 3/4"

MiWD
MI WINDOWS AND DOORS
400 WEST MARKET STREET GAITHERSBURG, MD 20878-0370

The information, design or data shown on this document or electronic medium is the confidential property of Mi Windows and Doors, LLC. It is intended for use only for the production of the product described herein. Any other use, reproduction or distribution without the expressed written consent of Mi Windows and Doors, LLC, is prohibited.

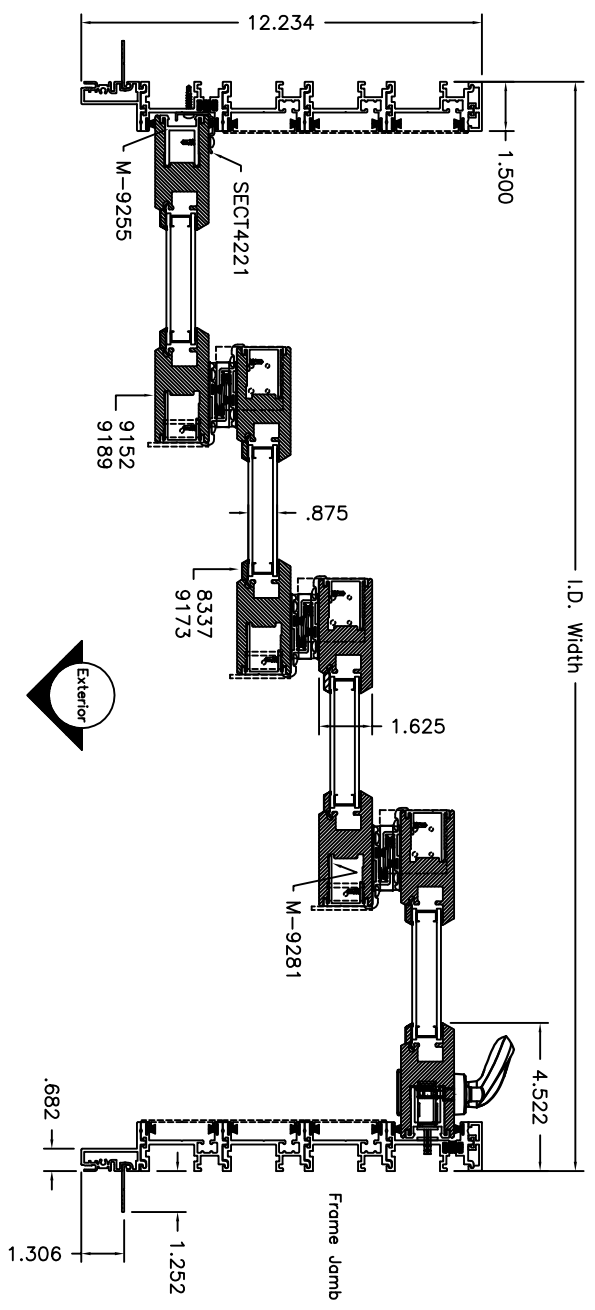
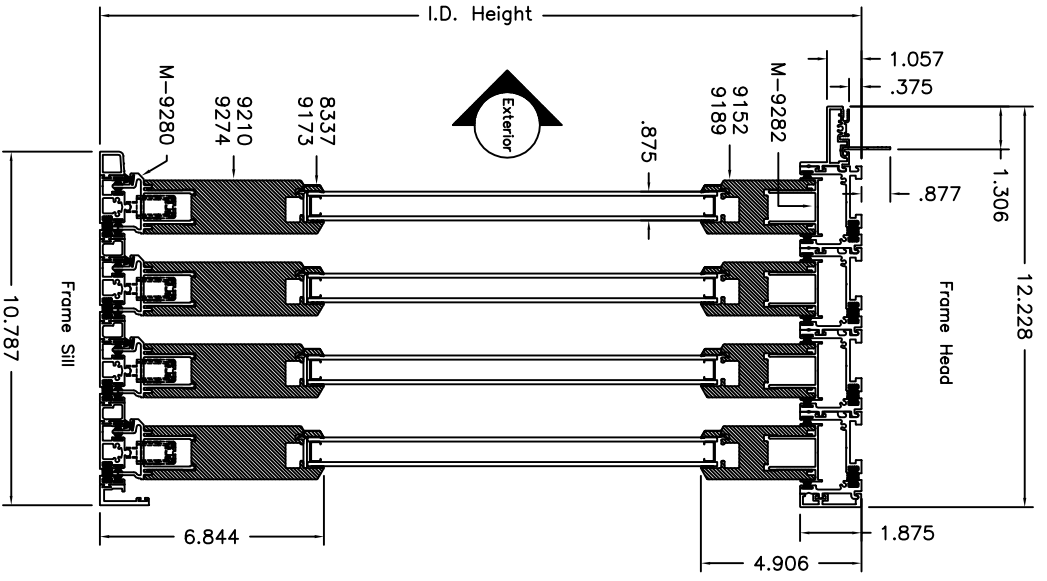
DESCRIPTION: Cross Sectional Drawing
XIX Configuration

PRODUCT: 194T Multi Slide
DATE: 09/10/14

SCALE: 1 : 4
PART NUMBER:

DFTK: Tony Collins
DRAWING NUMBER: CS-000046

MATERIAL:		UNSPECIFIED WALL:	
FINISH:			
AREA:			
WEIGHT:			
PERIMETER:			
02/10/15	T.C.		
07/02/15	T.C.		
DATE BY			
REVISIONS			
A	002A-15	Width reduced 1/4", Interior trim now standard	
B	019A-15	Release exterior flush pull	
ECON #			



Call Size	I.D. Size	Rough Opening
10-0 x 6-8	114 3/4" x 79 1/4"	115 1/4" x 79 3/4"
12-0 x 6-8	138 3/4" x 79 1/4"	139 1/4" x 79 3/4"
16-0 x 6-8	186 3/4" x 79 1/4"	187 1/4" x 79 3/4"
10-0 x 8-0	114 3/4" x 95 1/4"	115 1/4" x 95 3/4"
12-0 x 8-0	138 3/4" x 95 1/4"	139 1/4" x 95 3/4"
16-0 x 8-0	186 3/4" x 95 1/4"	187 1/4" x 95 3/4"

OILX Shown, X110 Opposite

MiWD
MI WINDOWS AND DOORS
400 WEST MARKET STREET GAITHERSBURG, MD 20878-0370

DESCRIPTION: Cross Sectional Drawing
Oilx or X110 Configuration

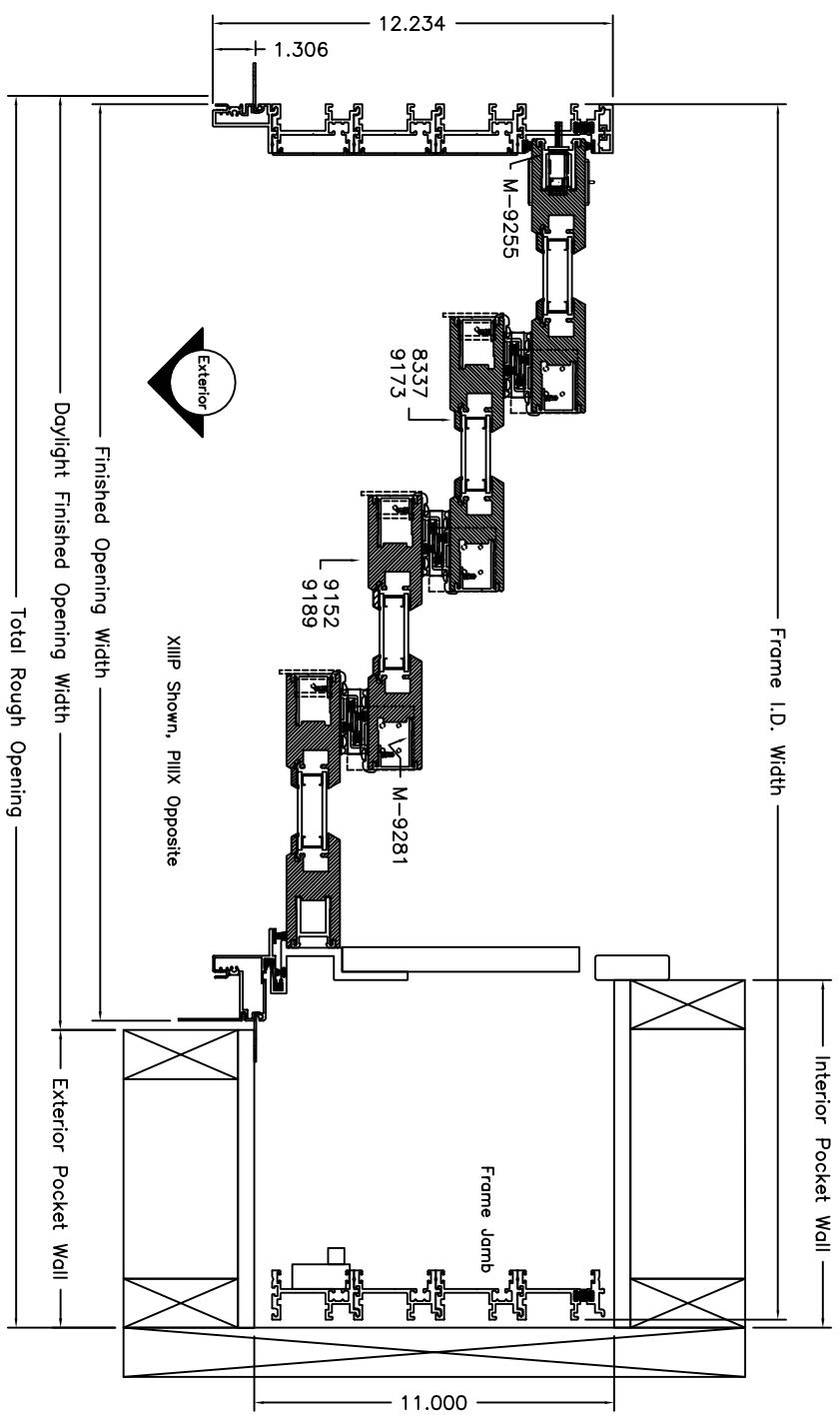
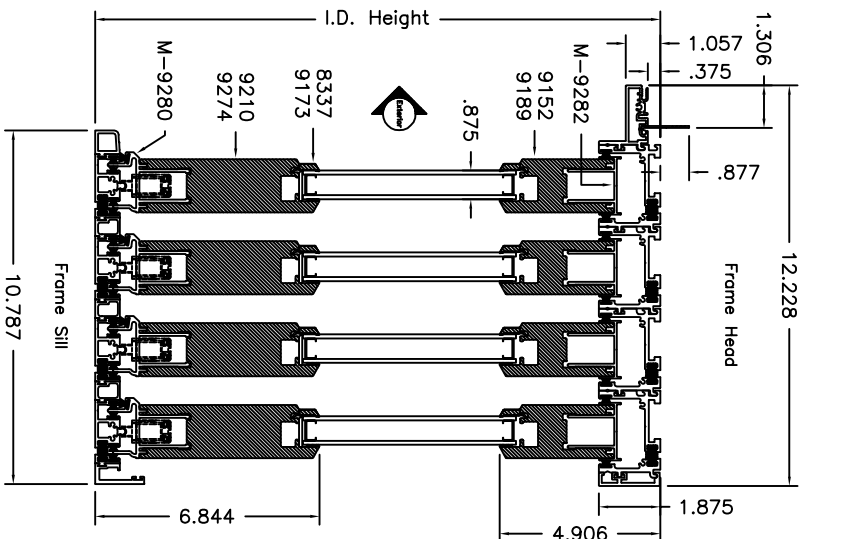
DATE: 09/10/14

MATERIAL:		UNSPECIFIED WALL:
FINISH:		
AREA:		
WEIGHT:		
PERIMETER:		
02/10/15	T.C.	
07/02/15	T.C.	
DATE BY		
REVISIONS		
A	002A-15	Width reduced 1/4", Interior trim now standard
B	019A-15	Release exterior flush pull
EON #		

BREAK ALL CORNERS R.015, UNLESS OTHERWISE SPECIFIED

The information, design or data shown on this document or electronic medium is the confidential property of Mi Windows and Doors, LLC. It is intended for use only in the production of the product shown. Any other use or reproduction without the expressed written consent of Mi Windows and Doors, LLC, is prohibited.

PRODUCT: 194T
SCALE: 1 : 4
PART NUMBER:
DRAWING NUMBER: CS-000048
DPTM: Tony Collins



Width Information

Nominal Width	Finished Opening Width	Daylight Finished Opening	Exterior Pocket Wall	Interior Pocket Wall	I.D. Frame Width	Total Rough Opening
10-0	116"	116 17/32"	31 3/32"	32 5/8"	147 1/8"	147 5/8"
12-0	140"	140 17/32"	37 3/32"	38 5/8"	177 1/8"	177 5/8"
16-0	188"	188 17/32"	49 3/32"	50 5/8"	237 1/8"	237 5/8"

Height Information

Nominal Ht.	I.D. Height	Rough Opening Ht.
6-8	79 1/4"	79 3/4"
8-0	95 1/4"	95 3/4"

MATERIAL:		FINISH:		UNSPECIFIED WALL:		DESCRIPTION:	
C	026A-16	Hook strip now exterior, frame widths revised	02/11/16	T.C. AREA:	MI WINDOWS AND DOORS		Cross Sectional Drawing
B	019A-15	Release exterior flush pull	02/10/15	T.C. WEIGHT:	400 WEST MARKET STREET, SUITE 1700, CINCINNATI, OH 45202-0370		Xillip or Pilix Configuration
A	002A-15	Widths reduced, interior trim now standard	07/15/15	T.C. PERIMETER:	The information, design or data shown on this document or electronic medium is the confidential property of MI Windows and Doors, LLC. It is intended for use only for the production of the product described herein. Any other use, reproduction or distribution without the expressed written consent of MI Windows and Doors, LLC, is prohibited.		194PT Multi Slide
REVISIONS		DATE	BY	SCALE: 1 : 4		PART NUMBER:	
LTR		DATE	BY	DFTM: Tony Collins		DRAWING NUMBER: CS-000050	
				DATE: 09/10/14			