

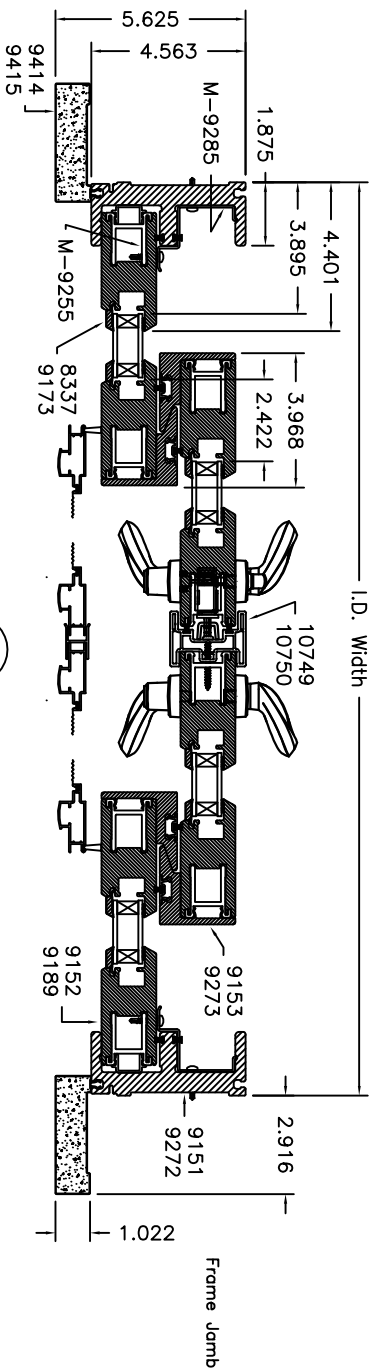
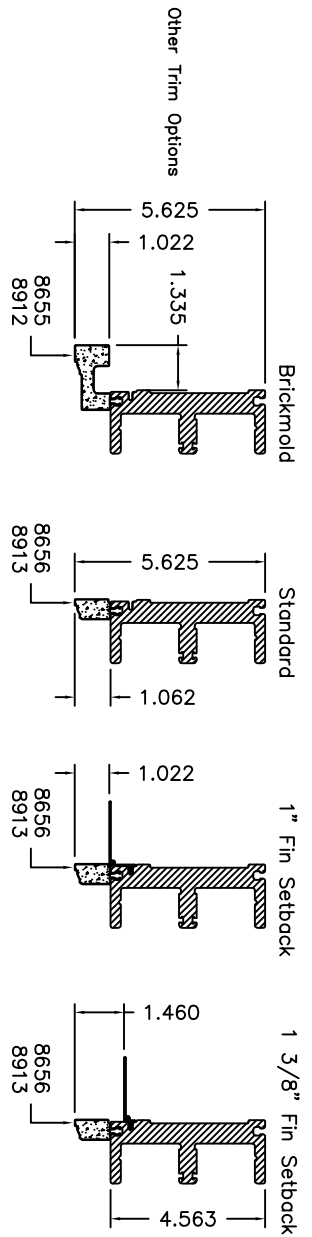
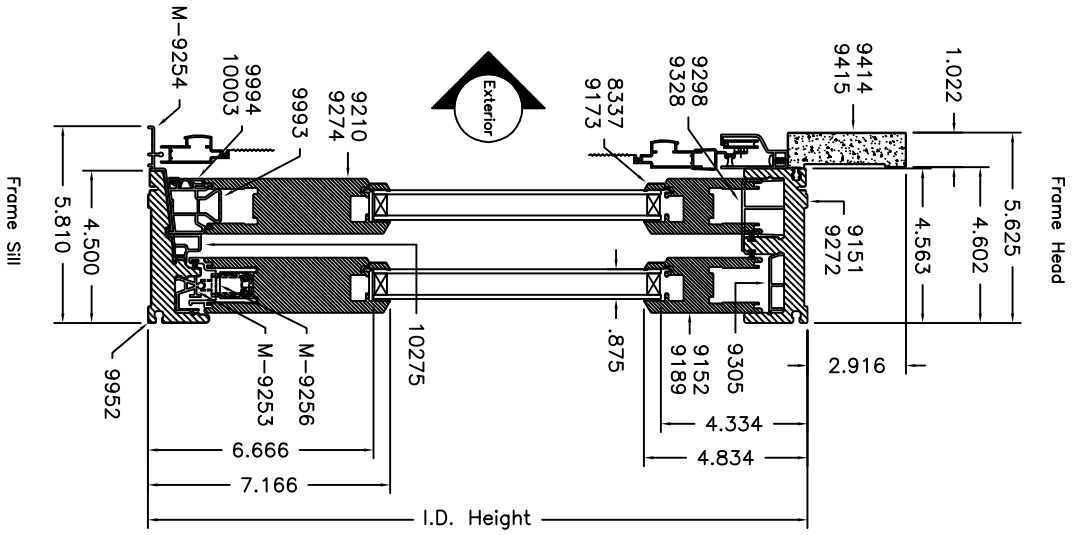
Nominal Door Size	I.D. Door Size	Rough Opening
5'-0" x 6'-8"	59 1/2" x 79 1/2"	60" x 80"
6'-0" x 6'-8"	71 1/2" x 79 1/2"	72" x 80"
8'-0" x 6'-8"	95 1/2" x 79 1/2"	96" x 80"
5'-0" x 8'-0"	59 1/2" x 95 1/2"	60" x 96"
6'-0" x 8'-0"	71 1/2" x 95 1/2"	72" x 96"
8'-0" x 8'-0"	95 1/2" x 95 1/2"	96" x 96"

Flat Casing Exterior Trim
OX Shown, XO Opposite

MATERIAL:		UNSPECIFIED WALL:		DESCRIPTION:	
FINISH:		UNSPECIFIED WALL:		Cross Sectional Drawing	
ARBE:		UNSPECIFIED WALL:		OX or XO	
WEIGHT:		BREAK ALL CORNERS R.015, UNLESS OTHERWISE SPECIFIED		PRODUCT: 390FR and EC190	
PERIMETER:		DATE: 02/02/11		SCALE: 250 : 1	
REVISIONS:		DATE:		PART NUMBER:	
BY:		DATE:		DRAWING NUMBER: CS-000340	
EON #		DATE:		DFTM: T.C.	

MiWD MI WINDOWS AND DOORS
600 WEST MARKET STREET SUITE 1000
PA 19080-0370

The information, design or data shown on this document or electronic media is the exclusive property of Mi Windows and Doors, LLC. It is considered confidential and proprietary and is made available for limited use only. Its use or reproduction without the expressed written consent of Mi Windows and Doors, LLC, is prohibited.

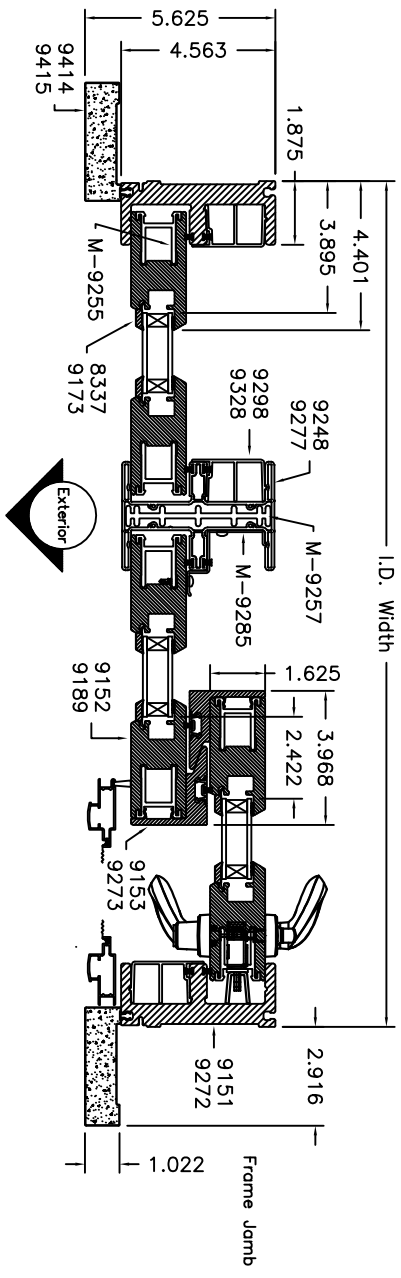
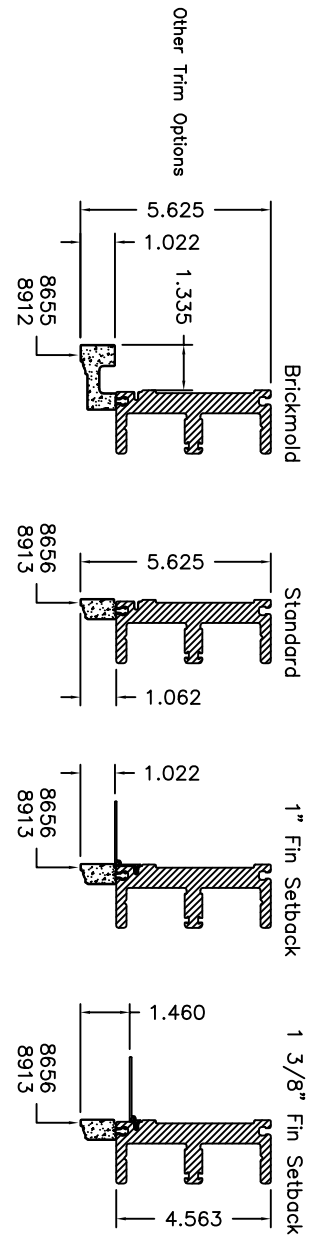
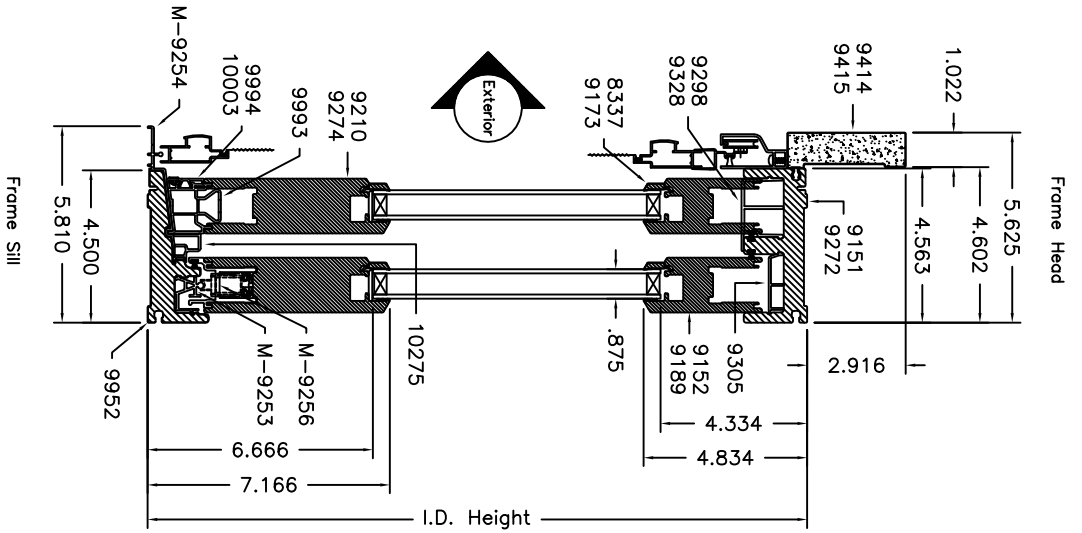


Nominal Door Size	I.D. Door Size	Rough Opening
10'-0" x 6'-8"	117 $\frac{1}{2}$ " x 79 $\frac{1}{2}$ "	117 $\frac{1}{2}$ " x 80"
12'-0" x 6'-8"	141 $\frac{1}{2}$ " x 79 $\frac{1}{2}$ "	141 $\frac{1}{2}$ " x 80"
16'-0" x 6'-8"	189 $\frac{1}{2}$ " x 79 $\frac{1}{2}$ "	189 $\frac{1}{2}$ " x 80"
10'-0" x 8'-0"	117 $\frac{1}{2}$ " x 95 $\frac{1}{2}$ "	117 $\frac{1}{2}$ " x 96"
12'-0" x 8'-0"	141 $\frac{1}{2}$ " x 95 $\frac{1}{2}$ "	141 $\frac{1}{2}$ " x 96"
16'-0" x 8'-0"	189 $\frac{1}{2}$ " x 95 $\frac{1}{2}$ "	189 $\frac{1}{2}$ " x 96"

Flot Casing Exterior Trim
 O-OX Shown, XO-O Opposite

MATERIAL:		UNSPECIFIED WALL:		DESCRIPTION:		Cross Sectional Drawing	
FINISH:		ARBC:		SCALE: 250 : 1		DATE: 02/02/11	
WEIGHT:		PERIMETER:		PRODUCT: 390FR and EC190		PART NUMBER:	
REVISIONS:		DATE:		BY:		DRAWING NUMBER: CS-000356	
EON #		DATE:		BY:		DRAWING NUMBER: CS-000356	
LTR		DATE:		BY:		DRAWING NUMBER: CS-000356	

MWD MI WINDOWS AND DOORS
 600 WEST LAMAR STREET SUITE 1100-0370
 The information, design or data shown on this document or electronic media is the exclusive property of MI Windows and Doors, LLC. It is considered confidential and proprietary and is made available for limited use only. Its use or reproduction without the expressed written consent of MI Windows and Doors, LLC, is prohibited.



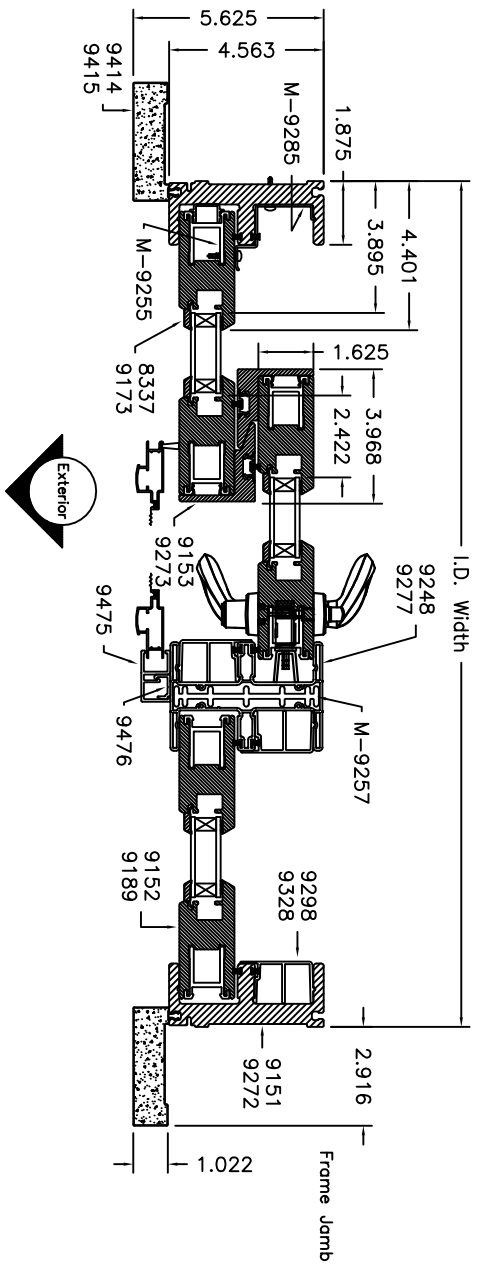
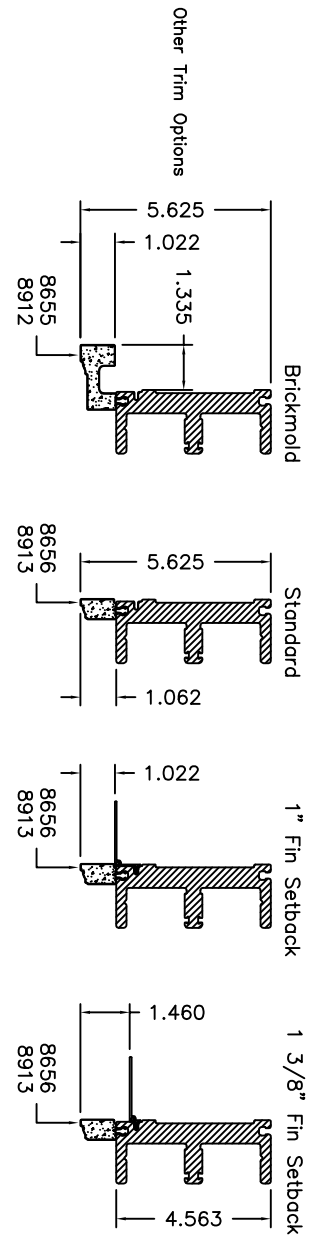
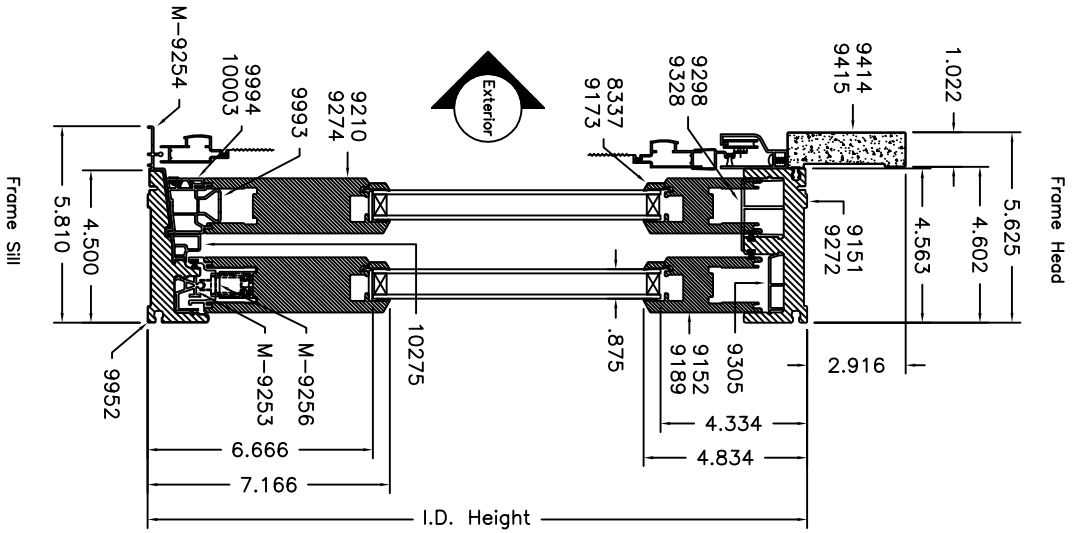
Nominal Door Size	I.D. Door Size	Rough Opening
7'-6" x 6'-8"	91" x 79 1/2"	91 1/2" x 80"
9'-0" x 6'-8"	109" x 79 1/2"	109 1/2" x 80"
12'-0" x 6'-8"	145" x 79 1/2"	145 1/2" x 80"
7'-6" x 8'-0"	91" x 95 1/2"	91 1/2" x 96"
9'-0" x 8'-0"	109" x 95 1/2"	109 1/2" x 96"
12'-0" x 8'-0"	145" x 95 1/2"	145 1/2" x 96"

Flat Casing Exterior Trim
 O-OX Shown, XO-O Opposite

MATERIAL:		UNSPECIFIED WALL:		DESCRIPTION:	
FINISH:		ARCA		Cross Sectional Drawing	
WEIGHT:		PERIMETER:		OOX or XO0	
REVISIONS:		DATE:		DATE: 02/02/11	
BY:		DATE:		SCALE: 250 : 1	
EON #		DATE:		PART NUMBER:	
EON #		DATE:		DRAWING NUMBER: CS-000355	

MWD MI WINDOWS AND DOORS
 600 WEST LAMAR STREET SUITE 200
 SAULT STE MARIE, MI 49783-0270

The information, design or data shown on this document or electronic media is the exclusive property of MI Windows and Doors, LLC. It is considered confidential and proprietary and is made available for limited use only. Its use or reproduction without the expressed written consent of MI Windows and Doors, LLC., is prohibited.



Nominal Door Size	I.D. Door Size	Rough Opening
7'-6" x 6'-8"	91" x 79 1/2"	91 1/2" x 80"
9'-0" x 6'-8"	109" x 79 1/2"	109 1/2" x 80"
12'-0" x 6'-8"	145" x 79 1/2"	145 1/2" x 80"
7'-6" x 8'-0"	91" x 95 1/2"	91 1/2" x 96"
9'-0" x 8'-0"	109" x 95 1/2"	109 1/2" x 96"
12'-0" x 8'-0"	145" x 95 1/2"	145 1/2" x 96"

Flat Casing Exterior Trim
OX-0 Shown, O-XO Opposite



DESCRIPTION: Cross Sectional Drawing
OXO

MATERIAL:	UNSPECIFIED WALL:	PRODUCT: 390FR and EC190	DATE: 02/02/11
FINISH:	AREC:	SCALE: 250 : 1	PART NUMBER:
WEIGHT:	PERIMETER:	DFTM: T.C.	DRAWING NUMBER: CS-000341
REVISIONS:	DATE:	BY:	
ECN #			

The information, design or data shown on this document or electronic media is the exclusive property of MI Windows and Doors, LLC. It is considered confidential and proprietary and is made available for limited use only. Its use or reproduction without the expressed written consent of MI Windows and Doors, LLC., is prohibited.