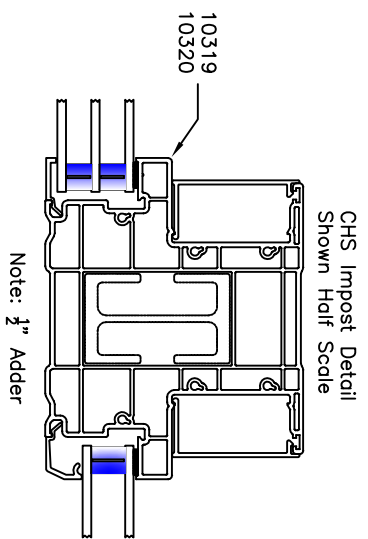
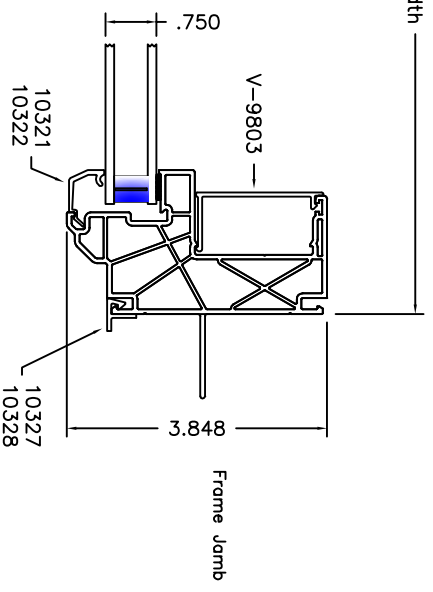
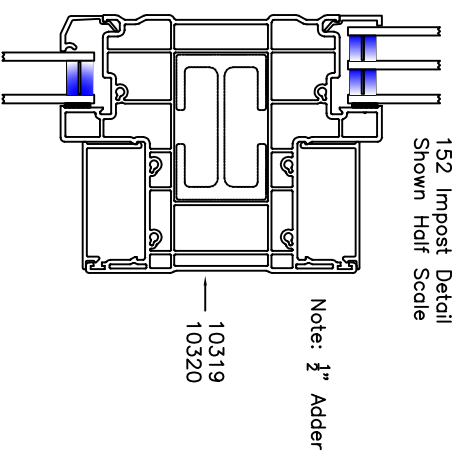
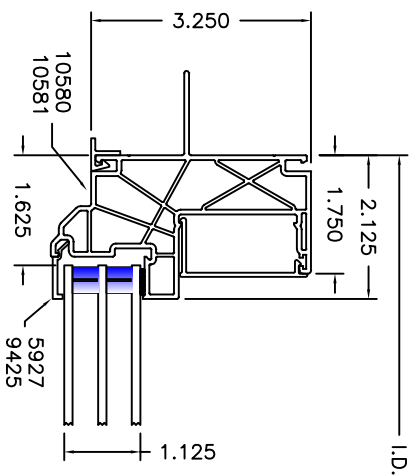
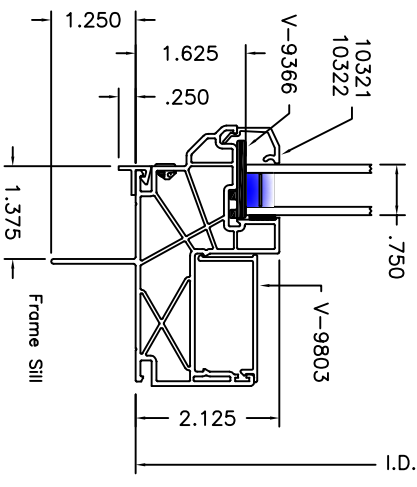
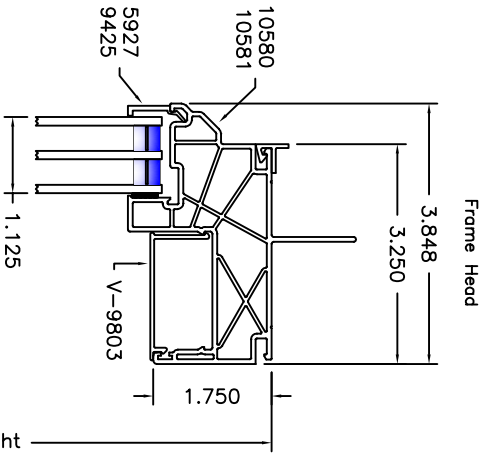
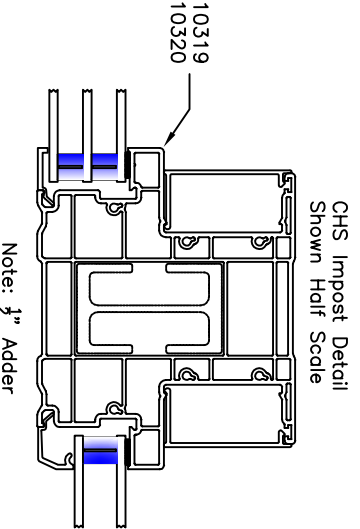
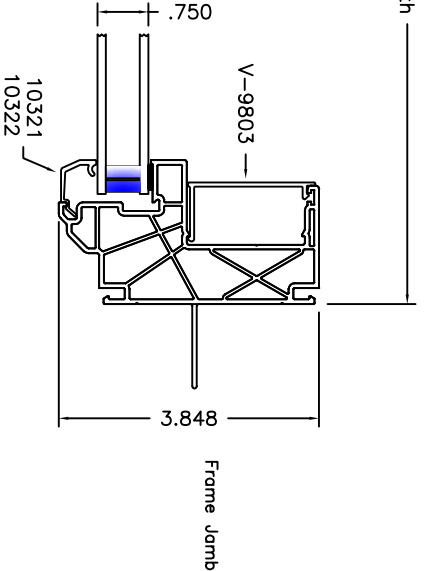
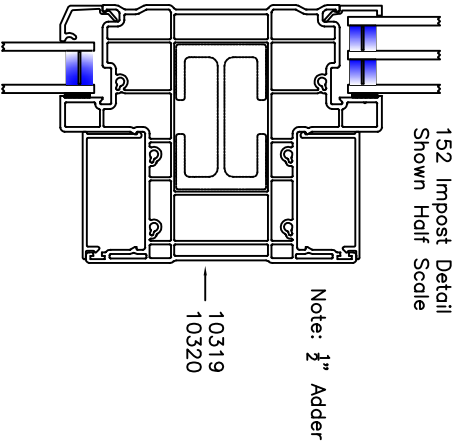
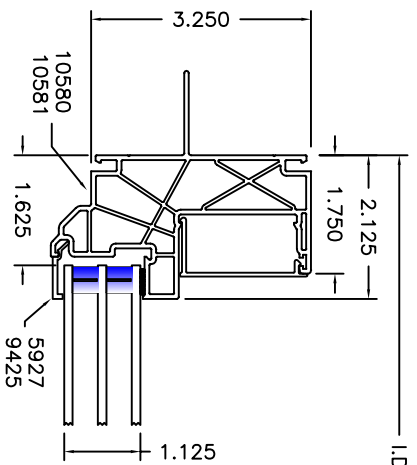
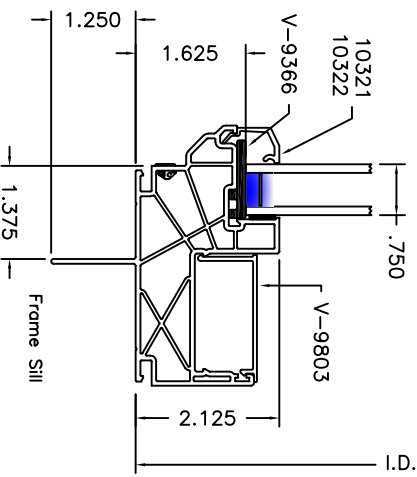
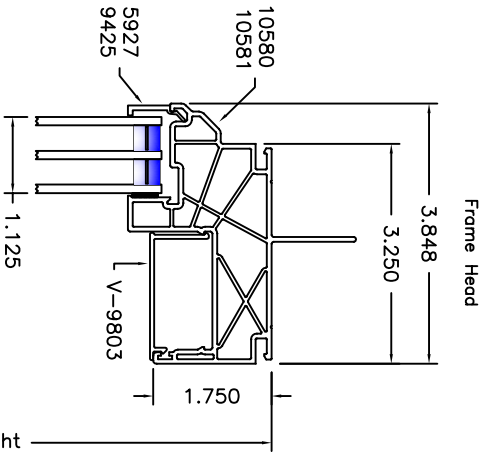


LITERATURE		MATERIAL:		UNSPECIFIED WALL:		MIWD MI WINDOWS AND DOORS <small>600 WEST LAMAR STREET GAITHERSBURG, PA 17530-0370</small>		DESCRIPTION:	
FINISH:		FINISH:		UNSPECIFIED WALL:		The information, design or data shown on this document or electronic media is the exclusive property of MI Windows and Doors, LLC. It is considered confidential and proprietary and is made available for limited use only. Its use or reproduction without the expressed written consent of MI Windows and Doors, LLC, is prohibited.		Cross Sectional Drawing	
AREC:		AREC:		UNSPECIFIED WALL:				Finless	
WEIGHT:		WEIGHT:		UNSPECIFIED WALL:				PRODUCT: EC152 and EC155	
PERIMETER:		PERIMETER:		UNSPECIFIED WALL:				SCALE: Half	
REVISIONS		REVISIONS		UNSPECIFIED WALL:				PART NUMBER:	
DATE		DATE		UNSPECIFIED WALL:				DRAWING NUMBER: CS-000320	
BY		BY		UNSPECIFIED WALL:				DATE: 01/27/11	
ECN #		ECN #		UNSPECIFIED WALL:					



LITERATURE		REVISIONS		DATE		BY		PERMETER:	
MATERIAL:		UNSPECIFIED WALL:		DESCRIPTION:		PRODUCT:		PART NUMBER:	
FINISH:		AREC:		1 3/8" Fin Setback with Stucco Key		EC152 and EC155		DRAWING NUMBER: CS-000323	
WEIGHT:		BREAK ALL CORNERS R015, UNLESS OTHERWISE SPECIFIED		The information, design or data shown on this document or electronic media is the exclusive property of MI Windows and Doors, LLC. It is considered confidential and proprietary and is made available for limited use only. Its use or reproduction without the expressed written consent of MI Windows and Doors, LLC, is prohibited.		SCALE:		DATE:	
PERIMETER:		MI WINDOS AND DOORS 600 WEST MARKET STREET GATZ, PA 17030-0370		1 3/8" Adder		DFTM: T.C.			



MIWD
MI WINDOWS AND DOORS
400 WEST MARKET STREET GAITHERSBURG, MD 20878

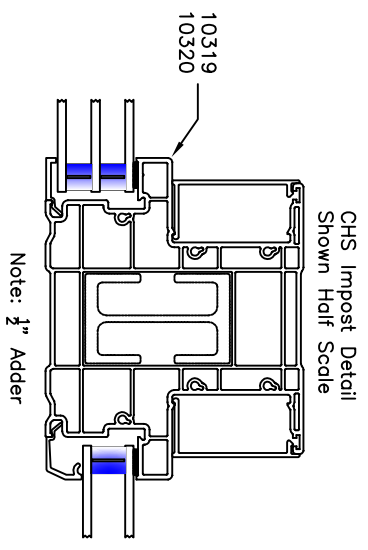
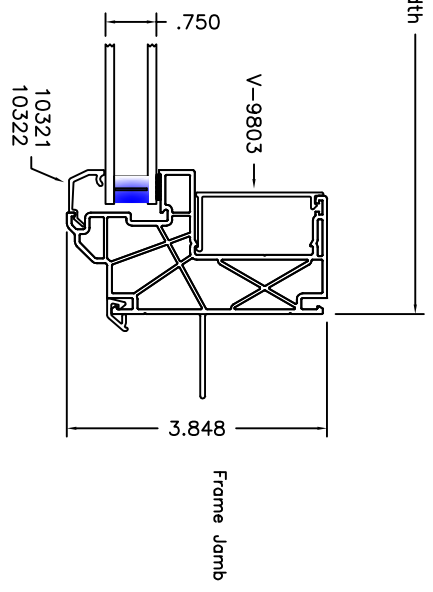
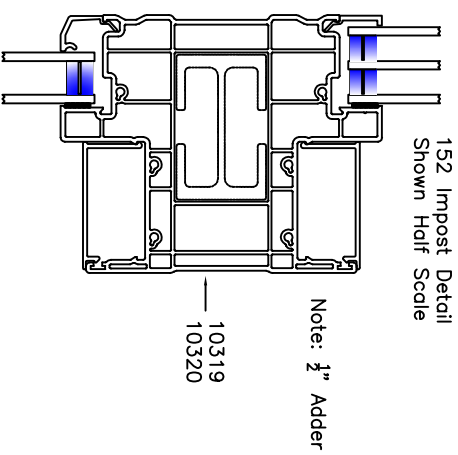
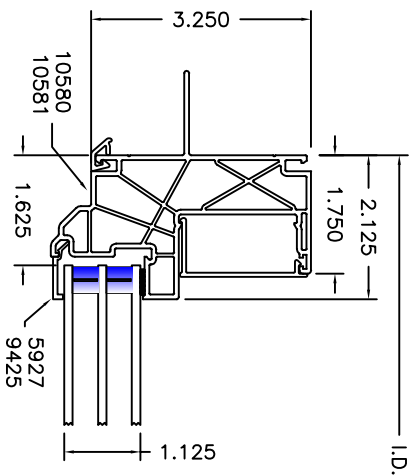
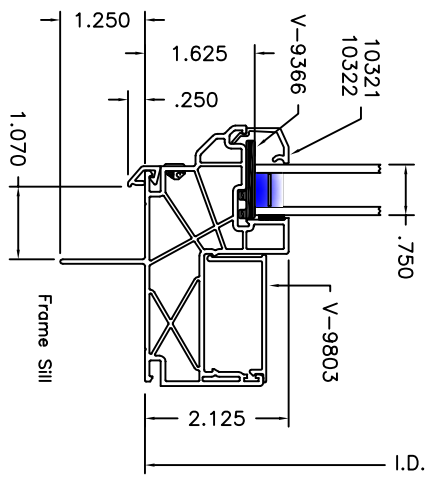
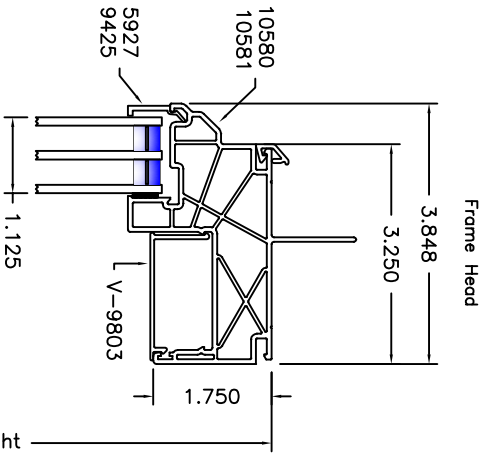
DESCRIPTION: Cross Sectional Drawing
1 3/8" Fin Setback

PRODUCT: EC152 and EC155
SCALE: Half
DATE: 01/27/11

PERMETER: DRAWING NUMBER: CS-000321

REVISIONS: DATE BY

MATERIAL:	UNSPECIFIED WALL:	The information, design or data shown on this document or electronic media is the exclusive property of MI Windows and Doors, LLC. It is considered confidential and proprietary and is made available for limited use only. Its use or reproduction without the expressed written consent of MI Windows and Doors, LLC, is prohibited.
FINISH:	BREAK ALL CORNERS R.015, UNLESS OTHERWISE SPECIFIED	
AREA:	WEIGHT:	
PERIMETER:		
ECN #	REVISIONS	DATE BY



MWD MI WINDOWS AND DOORS
600 WEST LAMAR STREET GAITHERSBURG, PA 17520-0370

DESCRIPTION: Cross Sectional Drawing
1" Fin Setback

PRODUCT: EC152 and EC155

UNSPECIFIED WALL:

BREAK ALL CORNERS R015, UNLESS OTHERWISE SPECIFIED

DATE: 01/27/11

SCALE: Half

MATERIAL:

PART NUMBER:

DFTM: T.C.

FINISH:

DRAWING NUMBER: CS-000321

WEIGHT:

PERIMETER:

REVISIONS:

DATE:

BY:

ECN #

LTR

DATE:

BY:

PERIMETER:

REVISIONS:

DATE:

BY:

PERIMETER:

REVISIONS:

DATE:

BY:

PERIMETER:

REVISIONS:

DATE:

BY:

PERIMETER: