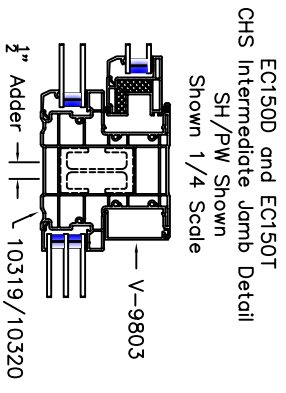
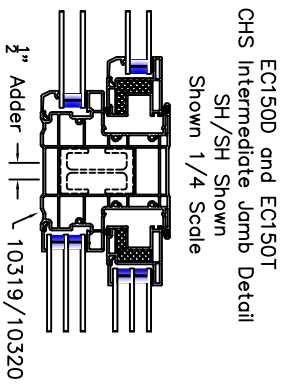
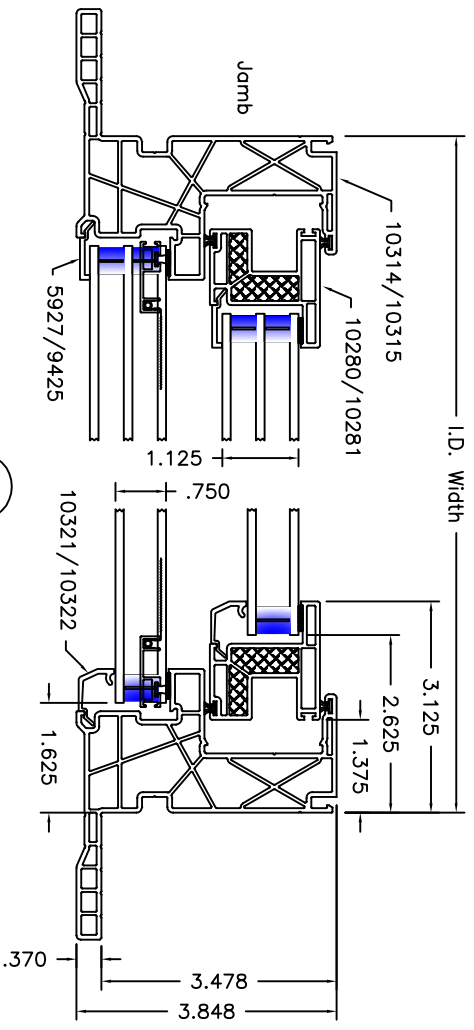
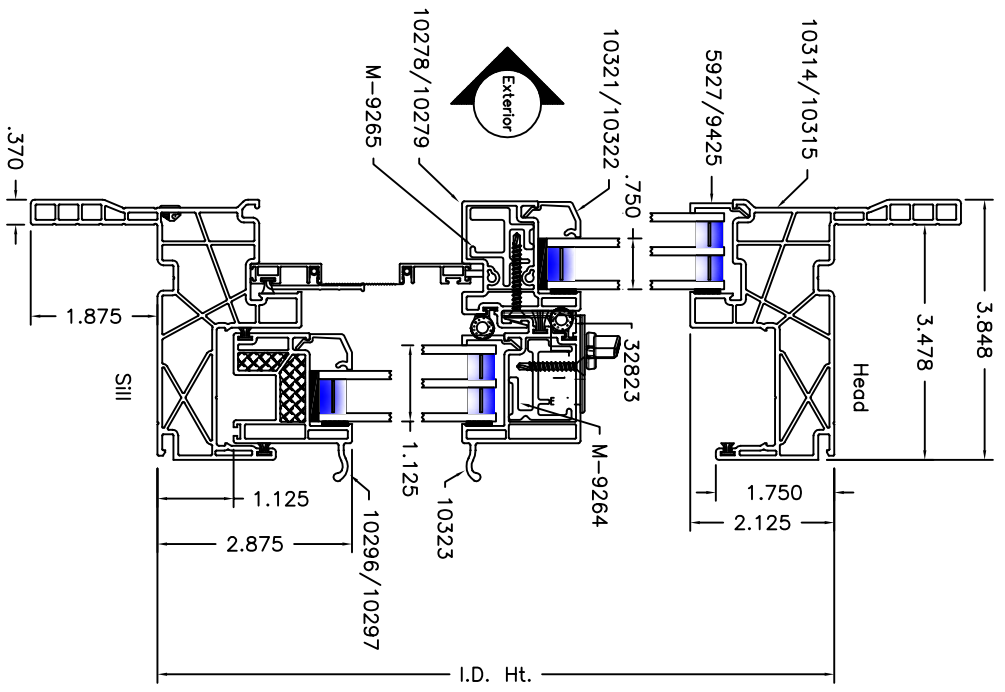
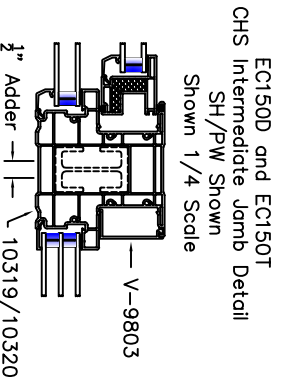
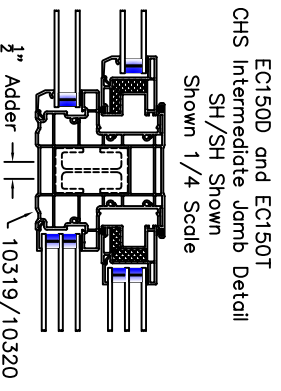
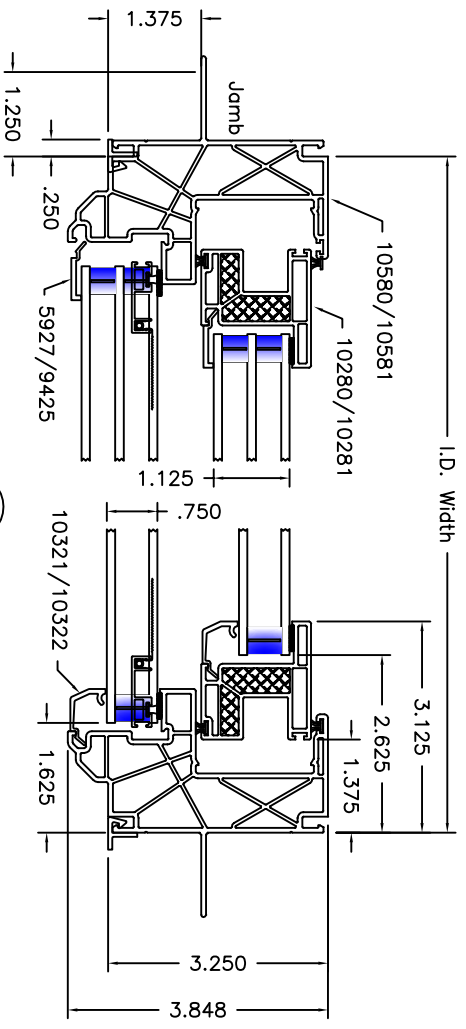
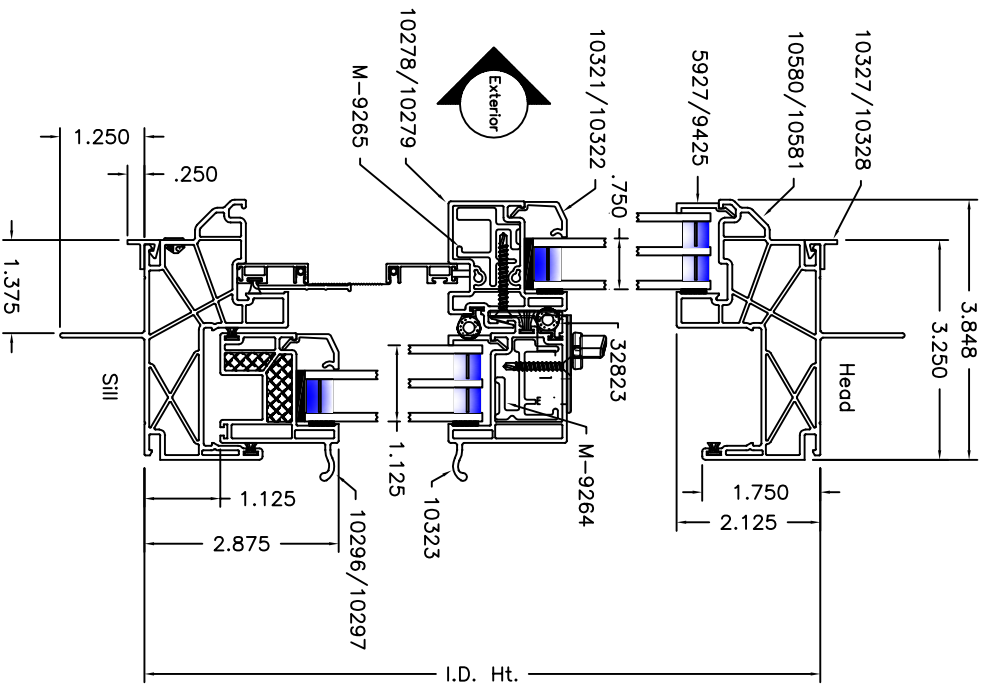


LITERATURE		MATERIAL:		UNSPECIFIED WALL:		DESCRIPTION: Single Hung, Finless Cross Sectional Drawing	
ECN #		FINISH:		UNSPECIFIED WALL:		PRODUCT: EC150	
REVISIONS		AREA:		BREAK ALL CORNERS R.015, UNLESS OTHERWISE SPECIFIED		SCALE: Half	
DATE		WEIGHT:		The information, design or data shown on this document or electronic media is the exclusive property of MI Windows and Doors, LLC. It is considered confidential and proprietary and is made available for limited use only. Its use or reproduction without the expressed written consent of MI Windows and Doors, LLC., is prohibited.		PART NUMBER:	
BY		PERIMETER:		MI WINDS AND DOORS 600 WEST MARKET STREET GAITHERSBURG, MD 20878-3370 1-800-337-0370		DRAWING NUMBER: CS-000201	
DATE		DATE		DATE: 01/27/11			

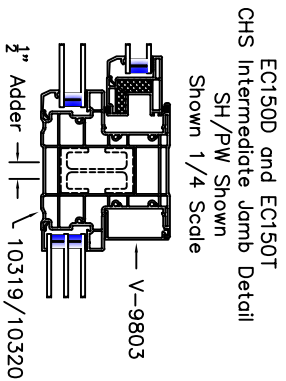
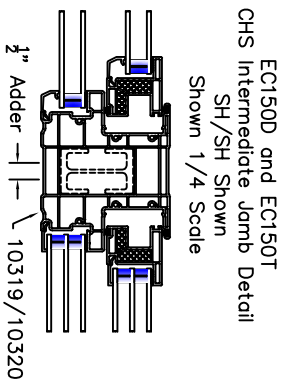
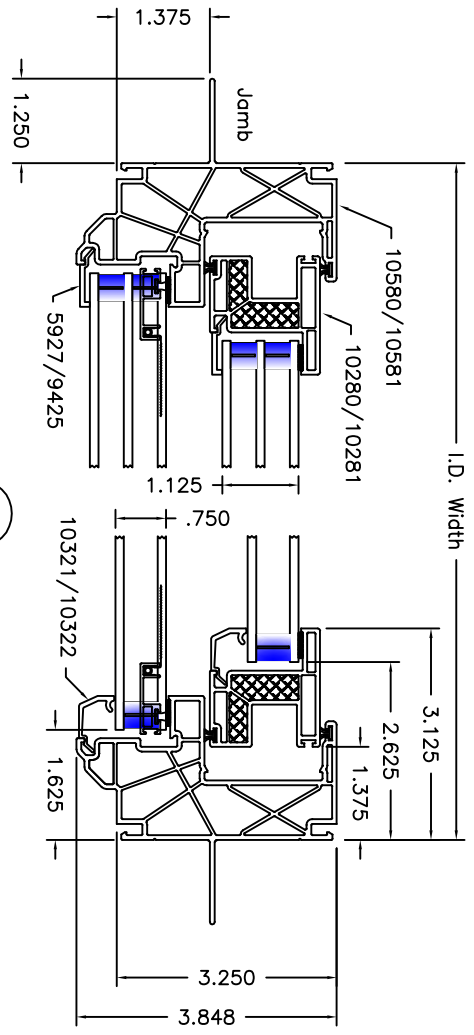
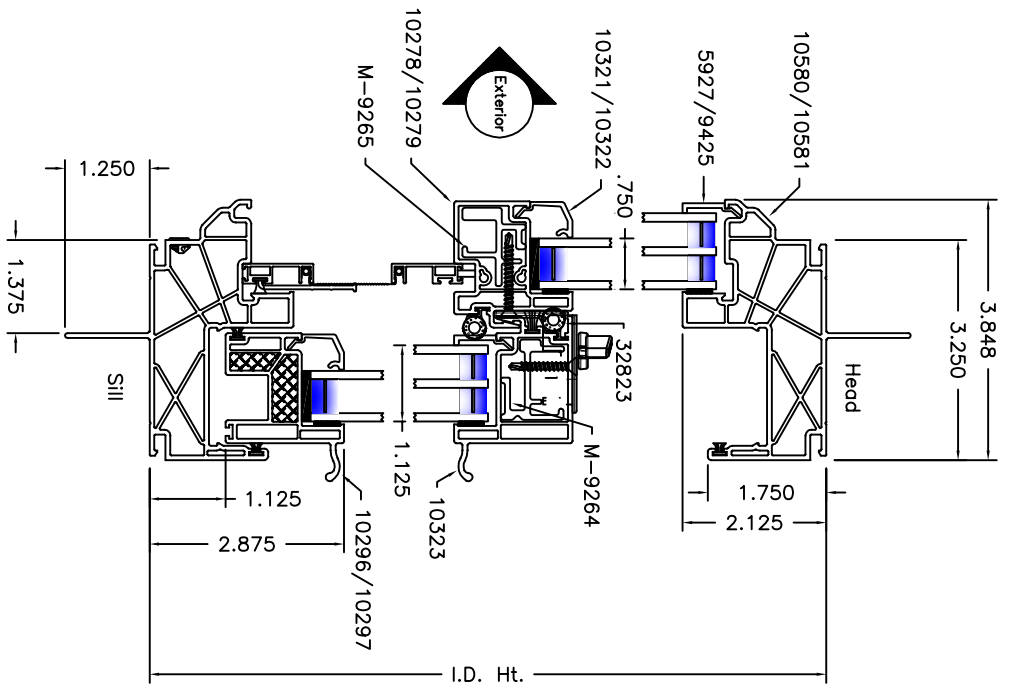


LITERATURE		MATERIAL:		UNSPECIFIED WALL:		DESCRIPTION: Single Hung, Flange Cross Sectional Drawing	
ECN #		FINISH:		BREAK ALL CORNERS R.015, UNLESS OTHERWISE SPECIFIED		PRODUCT: EC150	
REVISIONS		AREA:		The information, design or data shown on this document or electronic media is the exclusive property of MI Windows and Doors, LLC. It is considered confidential and proprietary and is made available for limited use only. Its use or reproduction without the expressed written consent of MI Windows and Doors, LLC., is prohibited.		SCALE: Half	
DATE		WEIGHT:		MI Windows and Doors, LLC. 400 WEST MARKET STREET GAITHERSBURG, PA 17033-0370		PART NUMBER:	
BY		PERIMETER:				DRAWING NUMBER: CS-000213	
						DATE: 01/27/11	

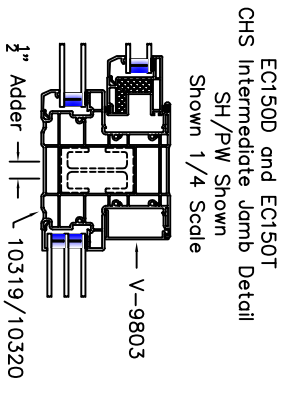
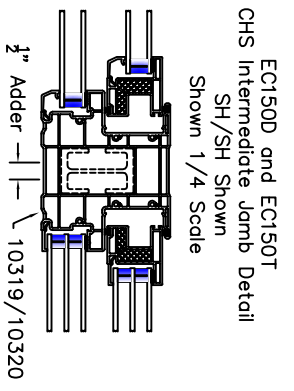
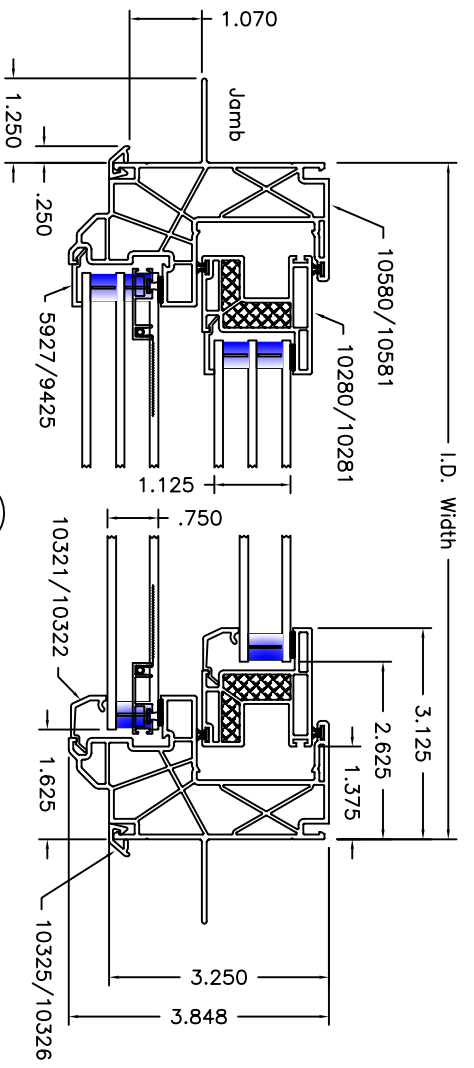
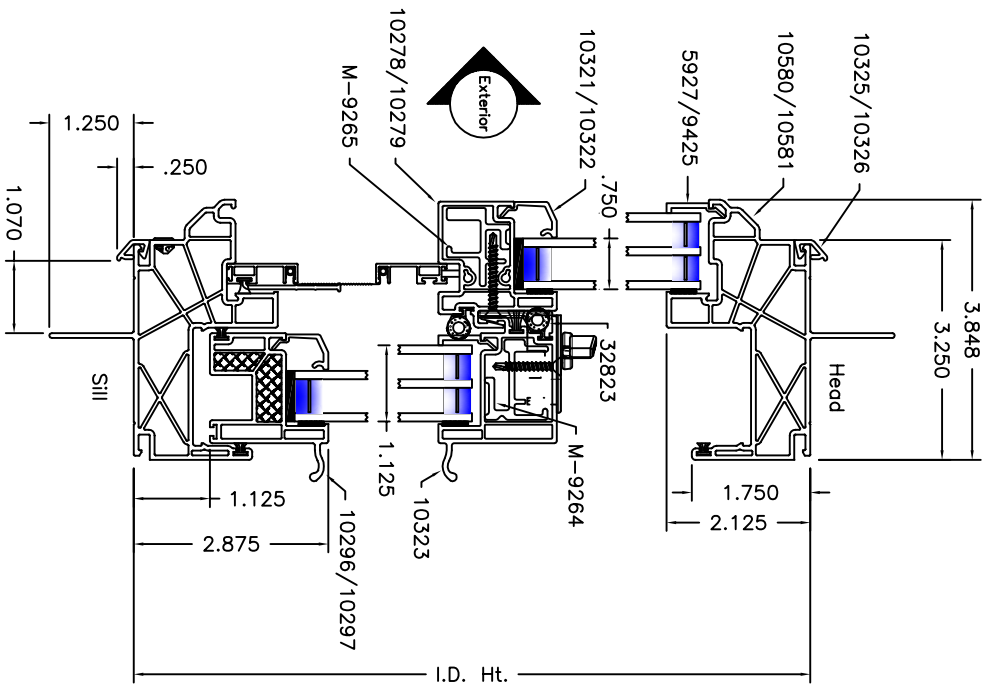


MATERIAL:		UNSPECIFIED WALL:		MWD MI WINDOWS AND DOORS 600 WEST MARKET STREET GAITHERSBURG, MD 20878-1070		DESCRIPTION: Single Hung, 1 3/8" Fin Setback with Stucco Key			
FINISH:		UNSPECIFIED WALL:				PRODUCT: EC150		Cross Sectional Drawing	
WEIGHT:		UNSPECIFIED WALL:				SCALE: Half		PART NUMBER:	
PERIMETER:		UNSPECIFIED WALL:				DATE: 01/27/11		DRAWING NUMBER: CS-000211	
REVISIONS:		DATE:		BY:		DATE:			
ECN #		DATE:		BY:		DATE:			

The information, design or data shown on this document or electronic media is the exclusive property of MI Windows and Doors, LLC. It is considered confidential and proprietary and its use or reproduction for limited use only. Its use or reproduction without the expressed written consent of MI Windows and Doors, LLC., is prohibited.



LITERATURE		MATERIAL:		UNSPECIFIED WALL:		DESCRIPTION: Single Hung, 1 3/8" Fin Setback Cross Sectional Drawing	
ECN #		FINISH:		BREKAK ALL CORNERS R.015, UNLESS OTHERWISE SPECIFIED		PRODUCT: EC150	
REVISIONS		AREC:		The information, design or data shown on this document or electronic media is the exclusive property of MI Windows and Doors, LLC. It is considered confidential and proprietary and is made available for limited use only. Its use or reproduction without the expressed written consent of MI Windows and Doors, LLC., is prohibited.		SCALE: Half	
DATE		WEIGHT:		MI Windows and Doors, LLC., 600 WEST MARKET STREET, SUITE 200, GAITHERSBURG, MD 20878-1000		PART NUMBER:	
BY		PERIMETER:		DATE: 01/27/11		DRAWING NUMBER: CS-000209	



MATERIAL:		UNSPECIFIED WALL:		DESCRIPTION: Single Hung, 1" Fin Setback Cross Sectional Drawing	
FINISH:		AREC		PRODUCT: EC150	
WEIGHT:		BREAK ALL CORNERS R015, UNLESS OTHERWISE SPECIFIED		SCALE: Half	
PERIMETER:		DATE: 12/10/15 T.C.		PART NUMBER:	
REVISIONS:		BY:		DRAWING NUMBER: CS-000207	
REVISED sash profiles to Non Air Cell		DATE: 12/10/15 T.C.		DATE: 01/27/11	
ECN #					
LTR					

MiWD MI WINDOWS AND DOORS
600 WEST MARKET STREET GAITHERSBURG, PA 17033-0370

The information, design or data shown on this document or electronic media is the exclusive property of Mi Windows and Doors, LLC. It is considered confidential and proprietary and is made available for limited use only. Its use or reproduction without the expressed written consent of Mi Windows and Doors, LLC., is prohibited.