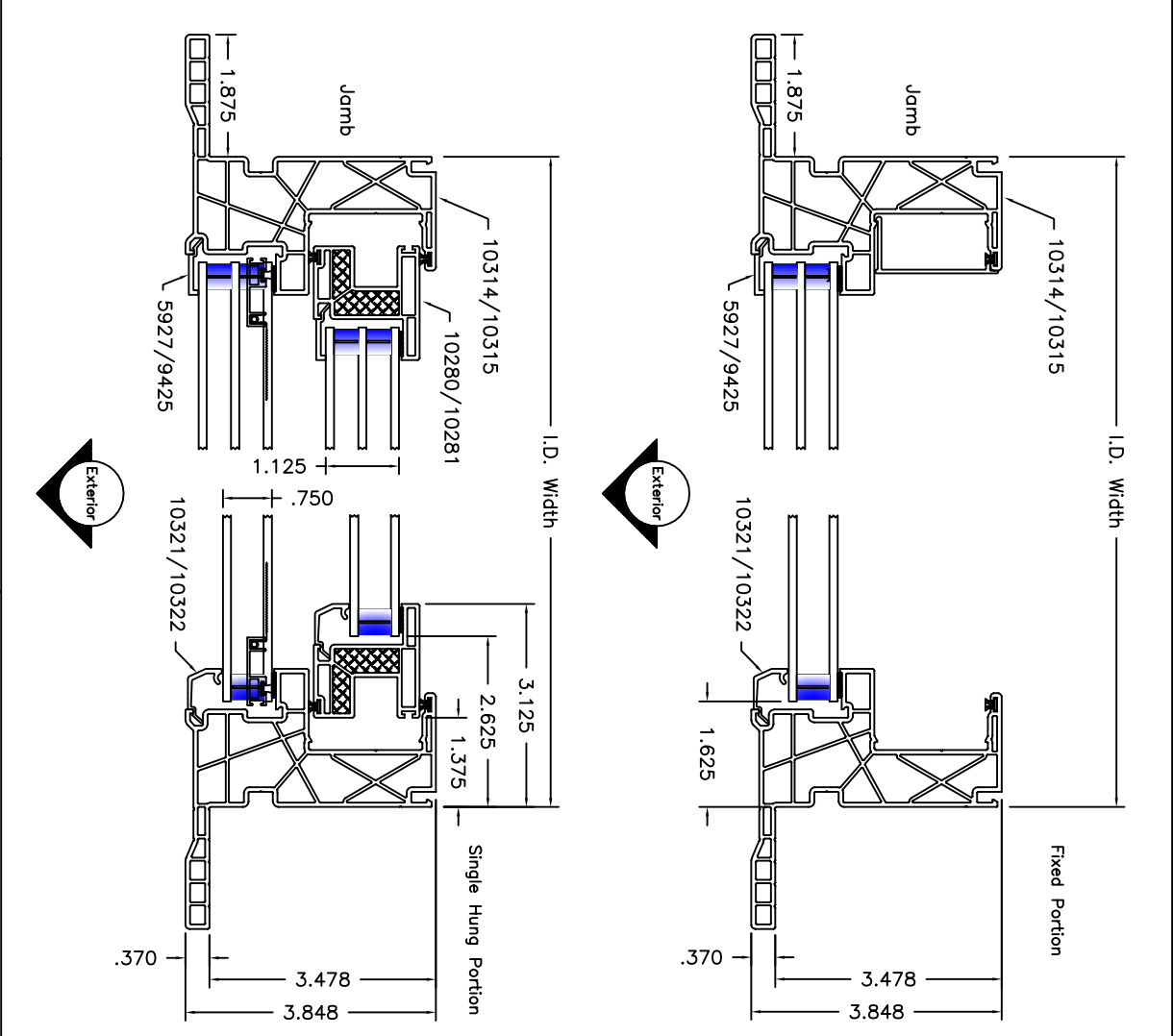
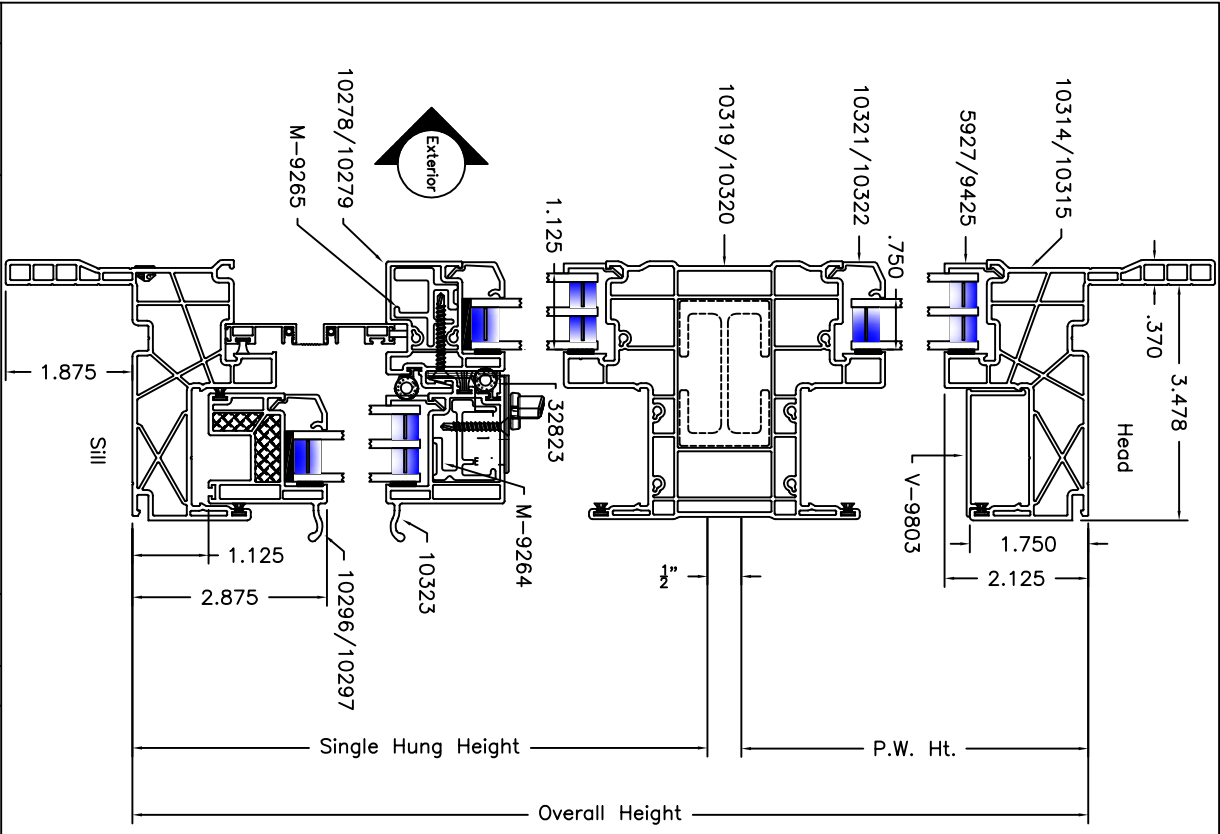
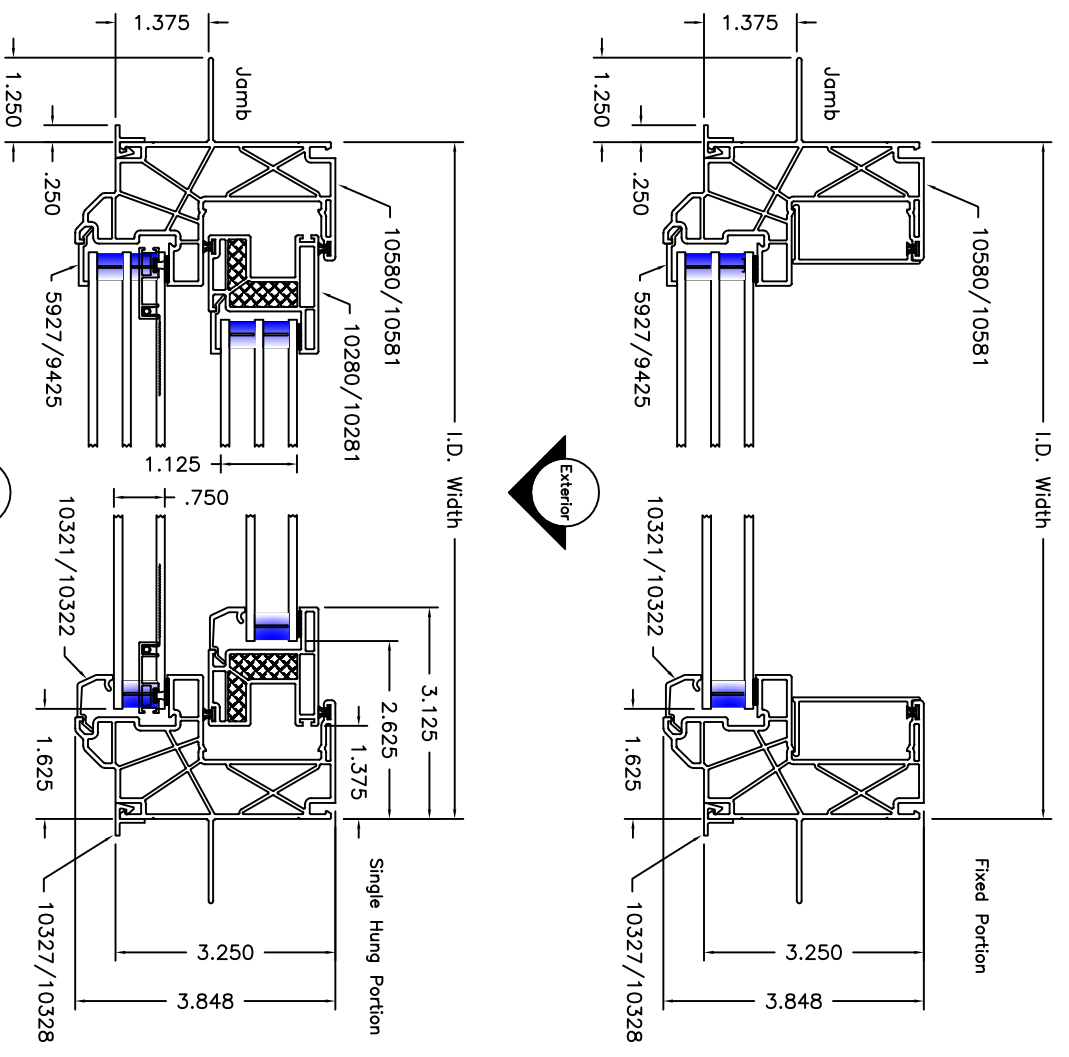
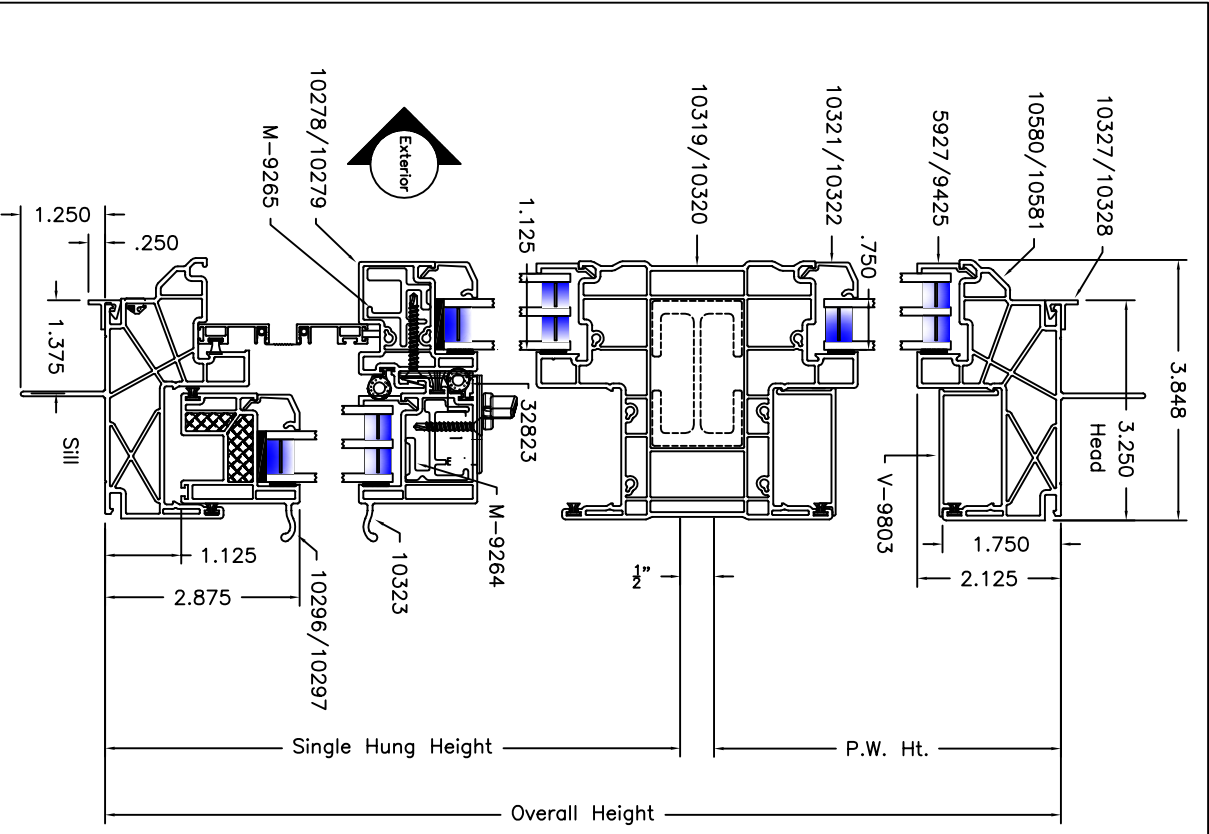


LITERATURE		ECON #		REVISIONS		DATE		BY		PERMETER:		UNSPECIFIED WALL:		MATERIAL: FINISH: AREA: WEIGHT: PERMETER:		BREAK ALL CORNERS R.015, UNLESS OTHERWISE SPECIFIED		MI WIND MI WINDOWS AND DOORS 600 WEST MARKET STREET GAITHERSBURG, MD 20878-3370		DESCRIPTION: Single Hung, Finless, PSH Cross Sectional Drawing		PRODUCT: EC150 SCALE: Half DFTM: T.C.		DATE: 02/01/13	
------------	--	--------	--	-----------	--	------	--	----	--	-----------	--	-------------------	--	--	--	--	--	---	--	---	--	---	--	----------------	--

The information, design or data shown on this document or electronic media is the exclusive property of MI Windows and Doors, LLC. It is considered confidential and proprietary and is made available for limited use only. Its use or reproduction without the expressed written consent of MI Windows and Doors, LLC., is prohibited.



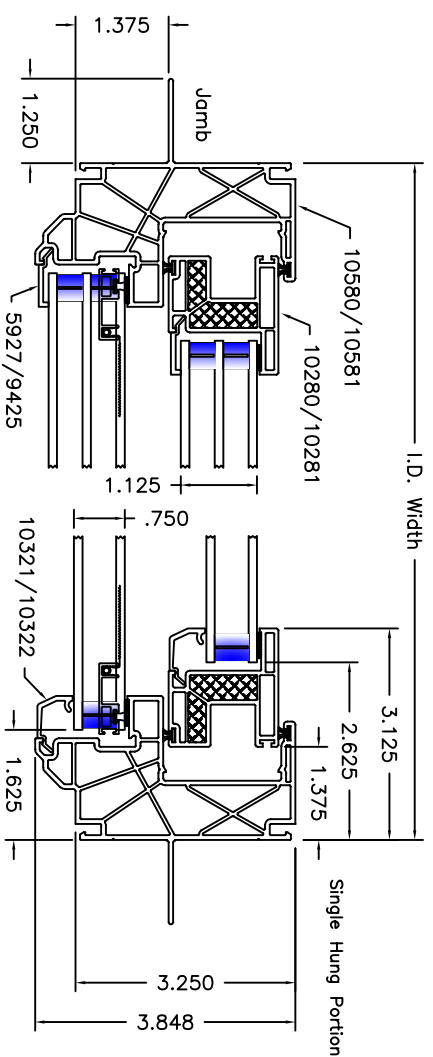
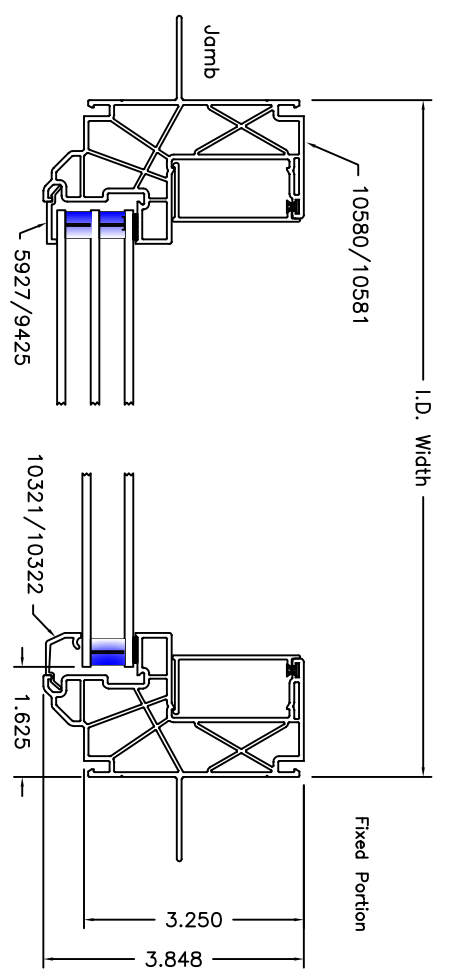
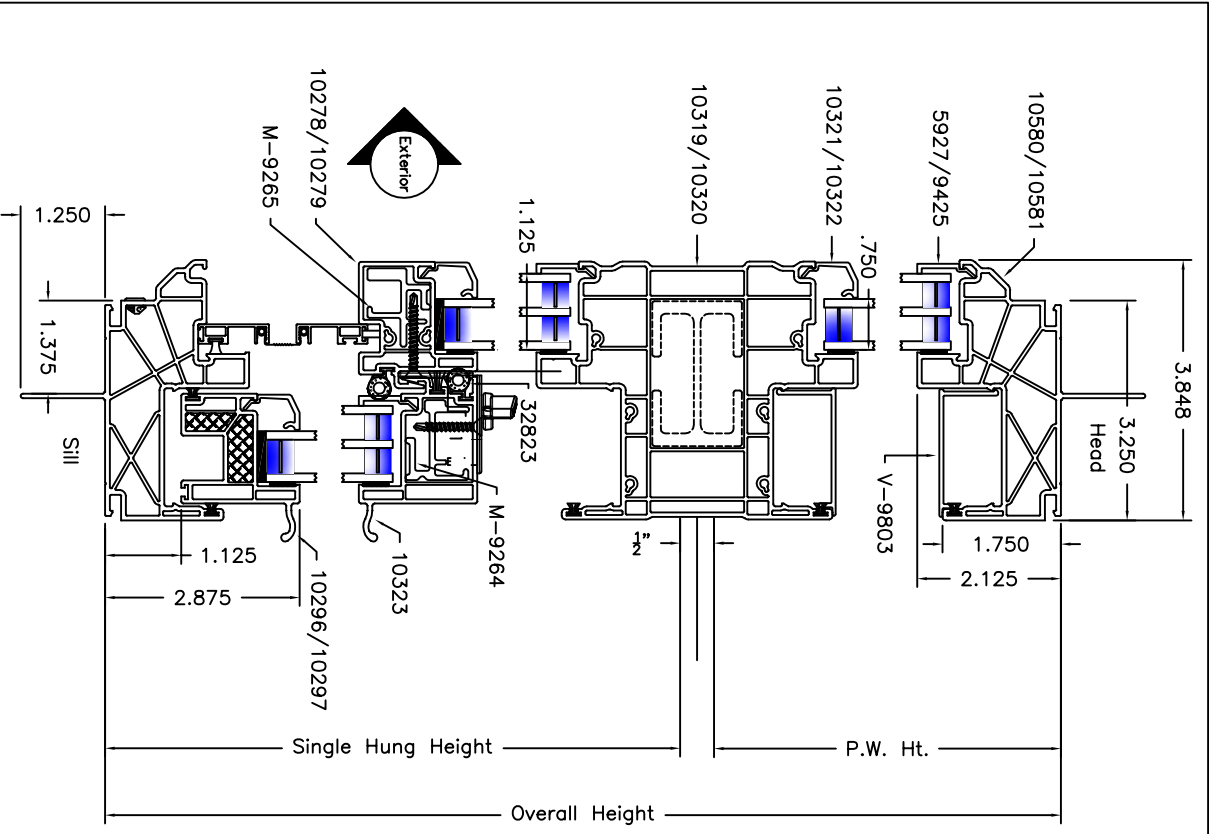
LTR	ECN #	REVISIONS	DATE	BY	PERMETER:	MATERIAL:	UNSPECIFIED WALL:	MIWD MI WINDOWS AND DOORS 600 WEST MARKET STREET GAITHERSBURG, PA 17040-0370	DESCRIPTION: Single Hung, Flange, PSH Cross Sectional Drawing	FINISH:	DATE: 02/01/13
						WEIGHT:				PRODUCT: EC150	
						BREAK ALL CORNERS R.015, UNLESS OTHERWISE SPECIFIED		The information, design or data shown on this document or electronic media is the exclusive property of MI Windows and Doors, LLC. It is considered confidential and proprietary and is made available for limited use only. Its use or reproduction without the expressed written consent of MI Windows and Doors, LLC., is prohibited.	SCALE: Half DFTM: T.C.	PART NUMBER:	
										DRAWING NUMBER: CS-000214	



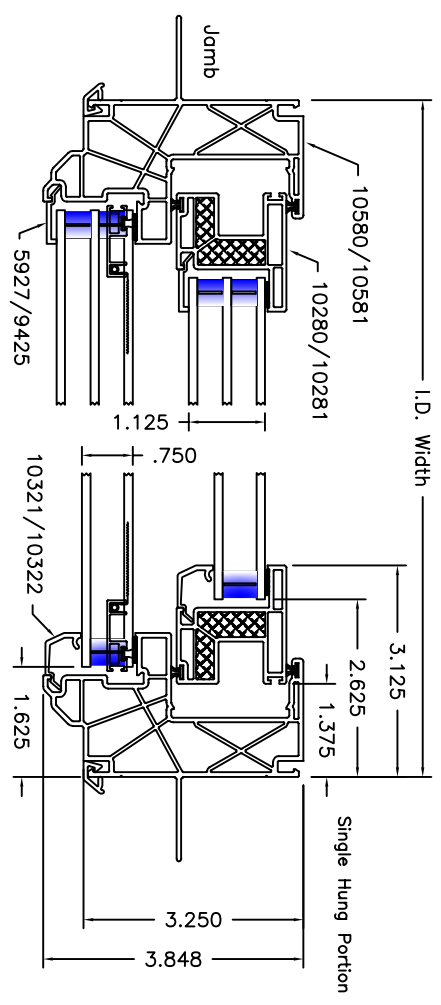
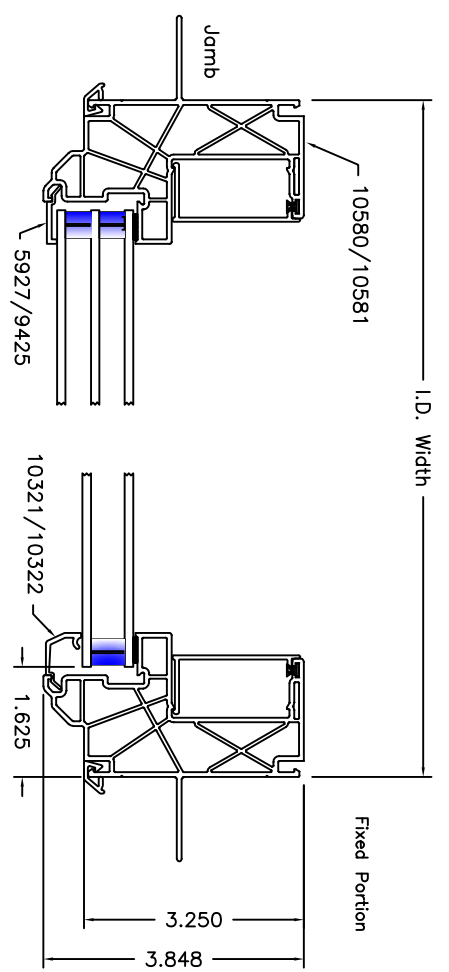
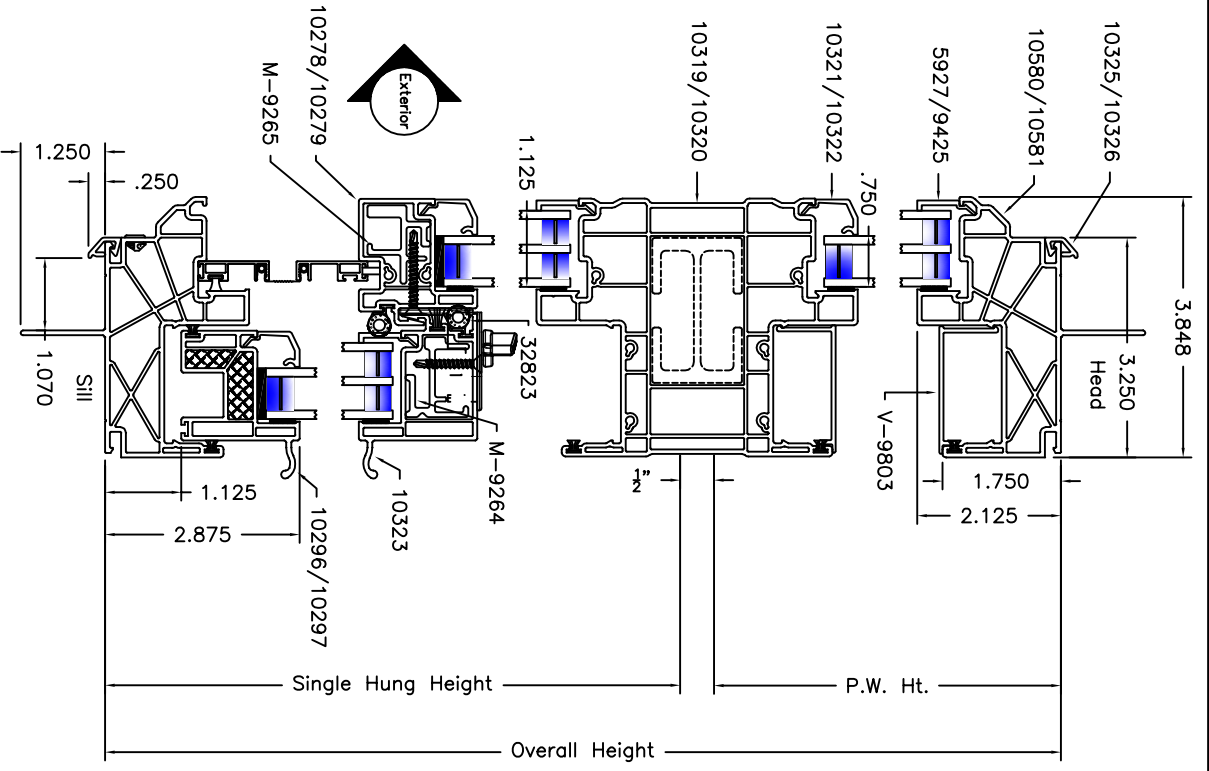
LITERATURE		ECN #		REVISIONS		DATE		BY		PERMETER:		UNSPECIFIED WALL:		<p>MATERIAL:</p> <p>FINISH:</p> <p>AREC:</p> <p>WEIGHT:</p> <p>BREAK ALL CORNERS R015, UNLESS OTHERWISE SPECIFIED</p>		<p>DESCRIPTION: SH, 1 3/8" Fin Setback, PSH, w/Suocco Key</p> <p>Cross Sectional Drawing</p> <p>PRODUCT: EC150</p> <p>SCALE: Half</p> <p>DFTM: T.C.</p>		<p>DATE: 02/01/13</p>	
<p>MATERIAL:</p> <p>FINISH:</p> <p>AREC:</p> <p>WEIGHT:</p> <p>BREAK ALL CORNERS R015, UNLESS OTHERWISE SPECIFIED</p>												<p>DESCRIPTION: SH, 1 3/8" Fin Setback, PSH, w/Suocco Key</p> <p>Cross Sectional Drawing</p> <p>PRODUCT: EC150</p> <p>SCALE: Half</p> <p>DFTM: T.C.</p>		<p>DATE: 02/01/13</p>					

MiWID MI WINDOWS AND DOORS
 600 WEST MARKET STREET SUITE 200
 PHILADELPHIA, PA 19106-3370

The information, design or data shown on this document or electronic media is the exclusive property of Mi Windows and Doors, LLC. It is considered confidential and proprietary and is made available for limited use only. Its use or reproduction without the expressed written consent of Mi Windows and Doors, LLC, is prohibited.



LITERATURE		REVISIONS		DATE		BY		PERMETER:	
ECON #									
MATERIAL:		UNSPECIFIED WALL:		DESCRIPTION: Single Hung, 1 3/8" Fin Setback, PSH		PRODUCT: EC150		DATE: 02/01/13	
FINISH:				Cross Sectional Drawing					
AREA:									
WEIGHT:									
BREAK ALL CORNERS R.015, UNLESS OTHERWISE SPECIFIED									
The information, design or data shown on this document or electronic media is the exclusive property of MI Windows and Doors, LLC. It is considered confidential and proprietary and is made available for limited use only. Its use or reproduction without the expressed written consent of MI Windows and Doors, LLC., is prohibited.									
MI Windows and Doors 600 WEST MARKET STREET SMITH, PA 17093-0370									
SCALE: Half									
PART NUMBER:									
DRAWING NUMBER: CS-000210									



LITERATURE		REVISIONS		DATE		BY		PERMETER:	
ECON #									
MATERIAL:		FINISH:		UNSPECIFIED WALL:		BREAK ALL CORNERS R015, UNLESS OTHERWISE SPECIFIED			
AREC:		WEIGHT:		PERMETER:		The information, design or data shown on this document or electronic media is the exclusive property of MI Windows and Doors, LLC. It is considered confidential and proprietary and is made available for limited use only. Its use or reproduction without the expressed written consent of MI Windows and Doors, LLC., is prohibited.			
DESCRIPTION: Single Hung, 1" Fin Setback, PSH		PRODUCT: EC150		DATE: 02/01/13					
Cross Sectional Drawing		SCALE: Half		PART NUMBER:					
		DFTM: T.C.		DRAWING NUMBER: CS-000208					

MIWD MI WINDOWS AND DOORS
600 WEST MARKET STREET SUITE 200 PA 17033-0370