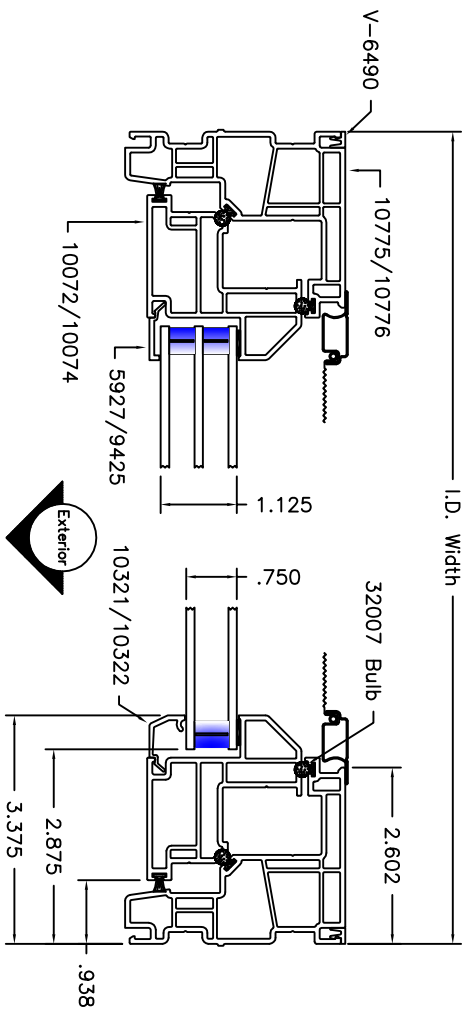
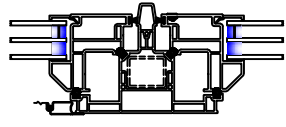
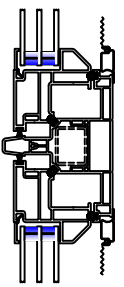


Fixed Over Casement
Impost Detail
Continuous Frame
Shown 1/4 Scale



Multi-Panel Impost
Shown 1/4 Scale



MATERIAL:		FINISH:		UNSPECIFIED WALL:		BREAK ALL CORNERS R.015, UNLESS OTHERWISE SPECIFIED	
REVISIONS		DATE		BY		PERMETER:	
F	135A-15	Revised sash profiles to Non Air Cell	11/08/15	T.C.	ARBC	WEIGHT:	
E	067A-15	New frame without air cell	06/10/15	T.C.		DRAWING NUMBER: CS-000083	
LITER		ECN #		DATE		DRAWING NUMBER: CS-000083	

MIWD MI WINDOWS AND DOORS
400 WEST MARKET STREET GAITHERSBURG, MD 20878

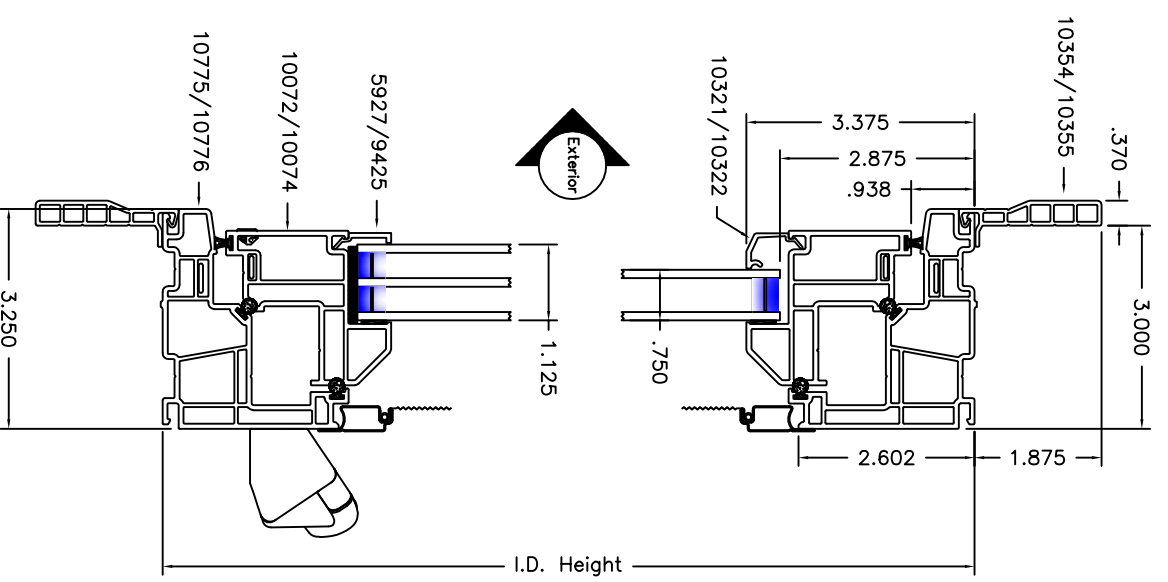
The information, design or data shown on this document or electronic media is the exclusive property of MI Windows and Doors, LLC. It is considered confidential and proprietary and is made available for limited use only. Its use or reproduction without the expressed written consent of MI Windows and Doors, LLC., is prohibited.

DESCRIPTION: Cross Sectional Drawing
Finless Frame

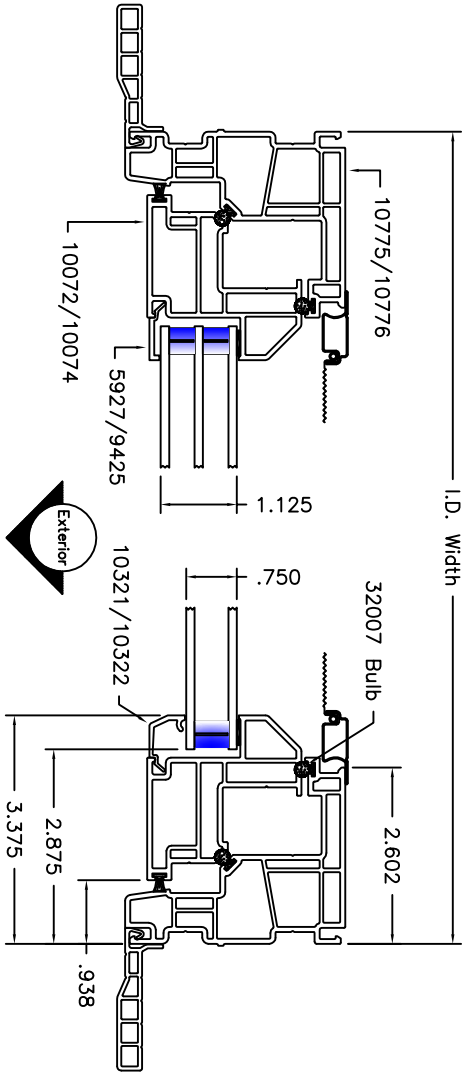
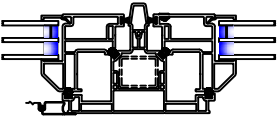
PRODUCT: EC147

SCALE: Half

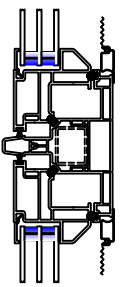
DATE: 12/22/10



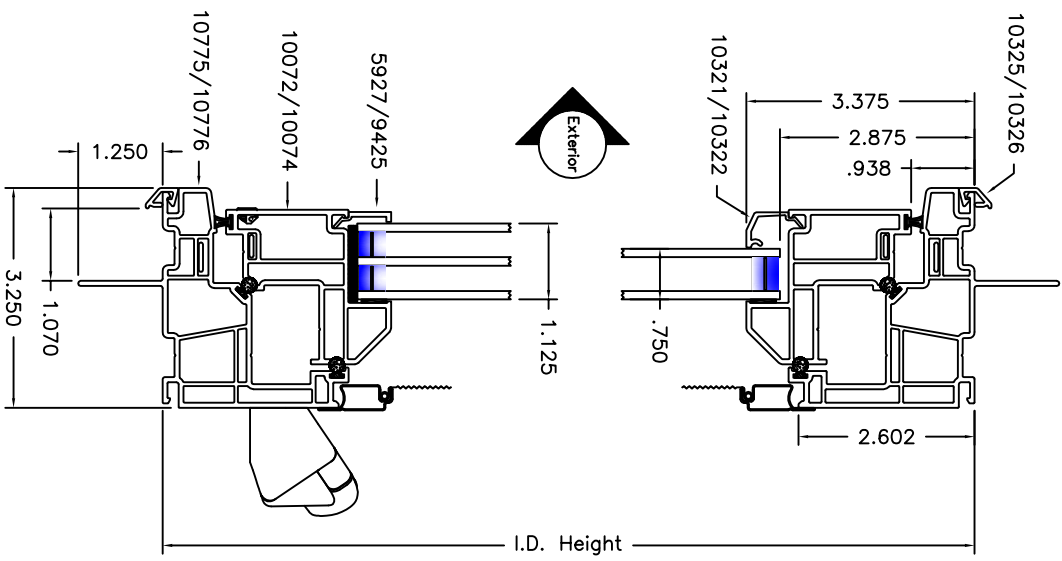
Fixed Over Casement
Impost Detail
Continuous Frame
Shown 1/4 Scale



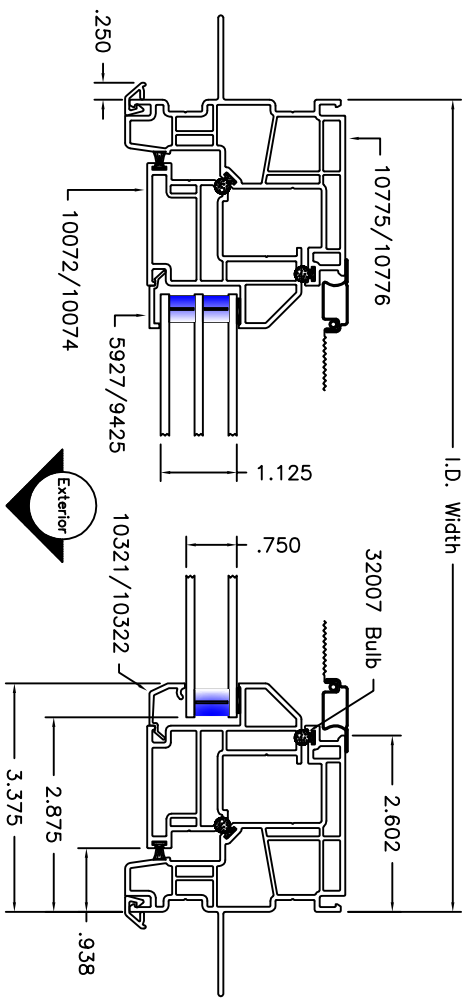
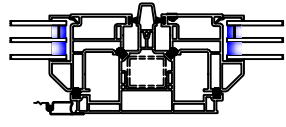
Multi-Panel Impost
Shown 1/4 Scale



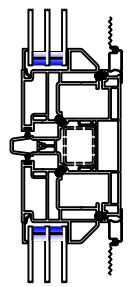
MATERIAL:		UNSPECIFIED WALL:		MIWD MI WINDOWS AND DOORS 600 WEST MARKET STREET GAITHERSBURG, MD 20878-3270		DESCRIPTION: Cross Sectional Drawing Flange Frame	
FINISH:		AREC:				PRODUCT: EC147	DATE: 01/20/11
F	135A-15	Revised sash profiles to Non Air Cell	11/08/15	T.C.	BREAK ALL CORNERS R.015, UNLESS OTHERWISE SPECIFIED		PART NUMBER:
E	067A-15	New frame without air cell	06/10/15	T.C.	The information, design or data shown on this document or electronic media is the exclusive property of MI Windows and Doors, LLC. It is considered confidential and proprietary and is made available for limited use only. Its use or reproduction without the expressed written consent of MI Windows and Doors, LLC., is prohibited.		DRAWING NUMBER: CS-000087
LITER		ECN #	DATE	BY	PERMETER:	SCALE: Half	
						DFTM: T.C.	



Fixed Over Casement
Impost Detail
Continuous Frame
Shown 1/4 Scale

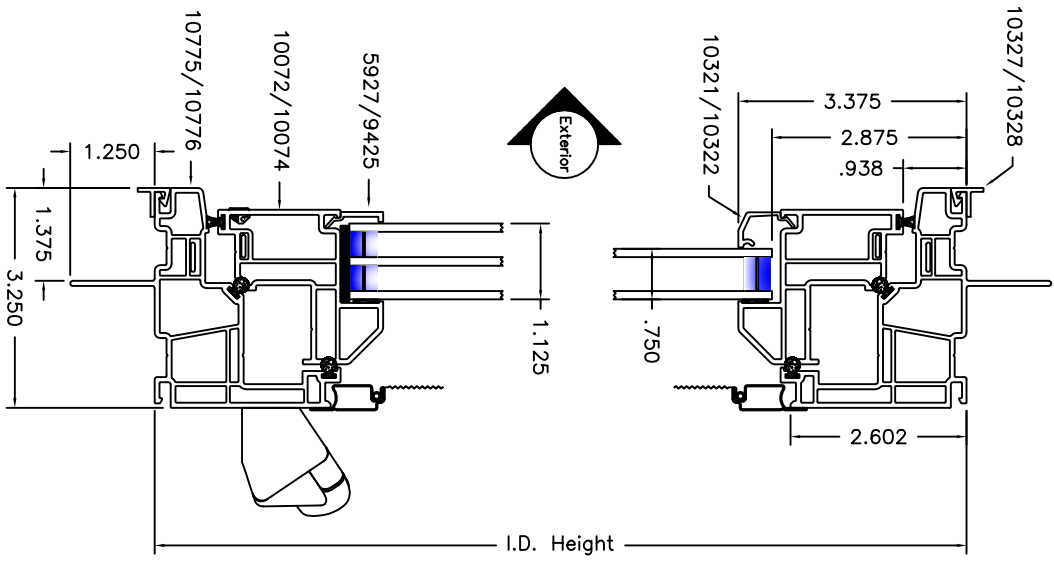


Multi-Panel Impost
Shown 1/4 Scale

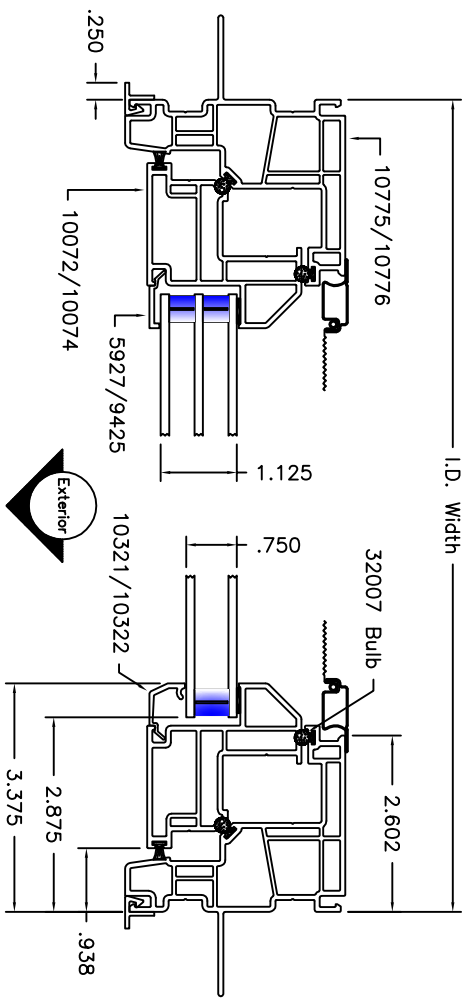
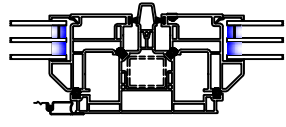


MATERIAL:		UNSPECIFIED WALL:		MIWD MI WINDOWS AND DOORS 600 WEST MARKET STREET GAITHERSBURG, MD 20878-3270		DESCRIPTION: Cross Sectional Drawing Fin Frame, 1" Setback	
FINISH:		AREC				PRODUCT: EC147	DATE: 01/20/11
E	135A-15	Revised sash profiles to Non Air Cell				SCALE: Half	PART NUMBER:
D	067A-15	New Frame, no air cell in frame				DFTM: T.C.	DRAWING NUMBER: CS-000086
LITER		ECN #	REVISIONS	DATE	BY	PERMETER:	

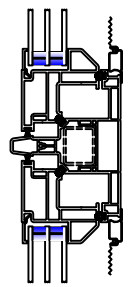
The information, design or data shown on this document or electronic media is the exclusive property of MI Windows and Doors, LLC. It is considered confidential and proprietary and is made available for limited use only. Its use or reproduction without the expressed written consent of MI Windows and Doors, LLC., is prohibited.



Fixed Over Casement
Impost Detail
Continuous Frame
Shown 1/4 Scale

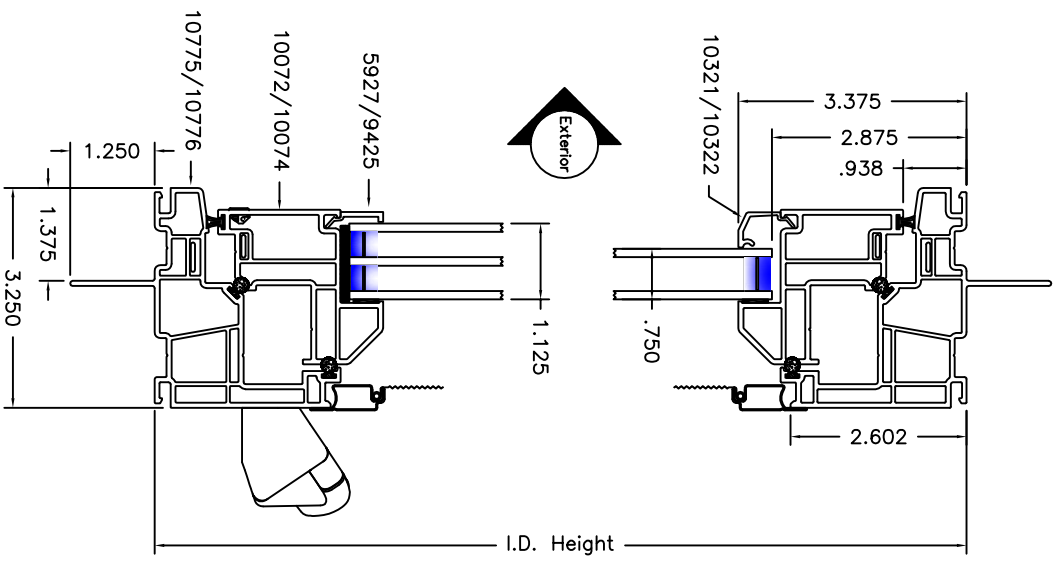


Multi-Panel Impost
Shown 1/4 Scale

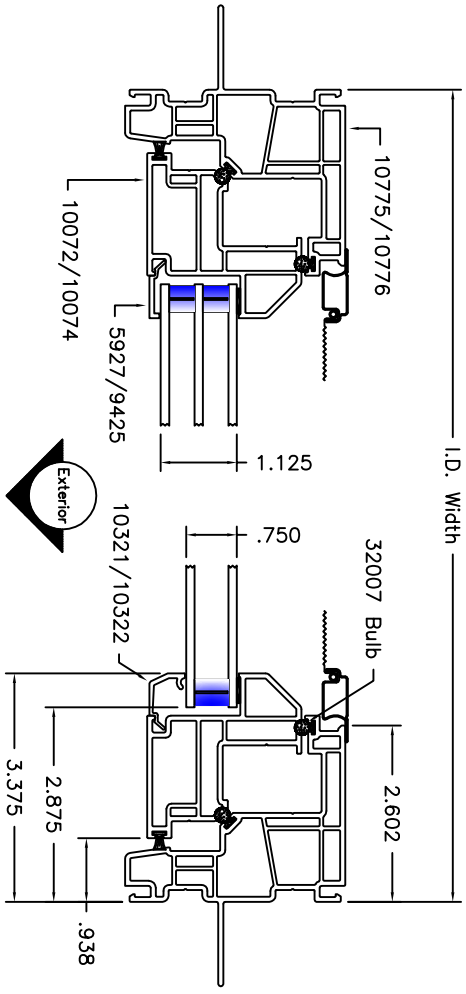
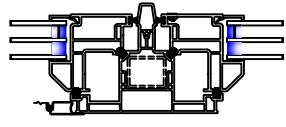


MATERIAL:		UNSPECIFIED WALL:		MIWD MI WINDOWS AND DOORS 600 WEST MARKET STREET GAITHERSBURG, MD 20878-1070		DESCRIPTION: Cross Sectional Drawing	
FINISH:		UNSPECIFIED WALL:				Fin Frame, 1 3/8" Setback, With Stucco Key	
REVISIONS:		DATE:		DATE: 12/22/10		PRODUCT: EC147	
E 135A-15 Revised sash profiles to Non Air Cell		11/08/15 T.C.		SCALE: Half		PART NUMBER:	
D 067A-15 New Frame, no air cell in frame		06/10/15 T.C.		DFTM: T.C.		DRAWING NUMBER: CS-000085	

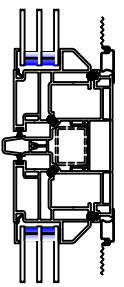
The information, design or data shown on this document or electronic media is the exclusive property of MI Windows and Doors, LLC. It is considered confidential and proprietary and is made available for limited use only. Its use or reproduction without the expressed written consent of MI Windows and Doors, LLC., is prohibited.



Fixed Over Casement
Impost Detail
Continuous Frame
Shown 1/4 Scale



Multi-Panel Impost
Shown 1/4 Scale



MATERIAL:		UNSPECIFIED WALL:		MIWD MI WINDOWS AND DOORS 600 WEST MARKET STREET GAITHERSBURG, MD 20878-3270		DESCRIPTION: Cross Sectional Drawing Fin Frame, 1 3/8" Setback	
FINISH:		ARBEK				PRODUCT: EC147	DATE: 12/22/10
E	135A-15	Revised sash profiles to Non Air Cell		WEIGHT:		PART NUMBER:	
D	067A-15	New Frame, no air cell in frame		PERIMETER:		DRAWING NUMBER: CS-000084	
LITER		REVISIONS		DATE	BY		

The information, design or data shown on this document or electronic media is the exclusive property of MI Windows and Doors, LLC. It is considered confidential and proprietary and is made available for limited use only. Its use or reproduction without the expressed written consent of MI Windows and Doors, LLC., is prohibited.