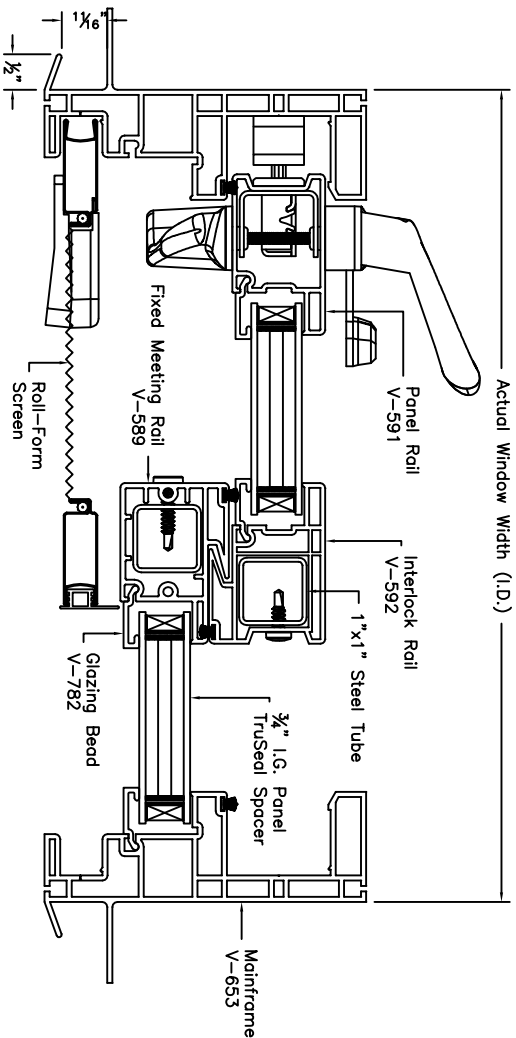
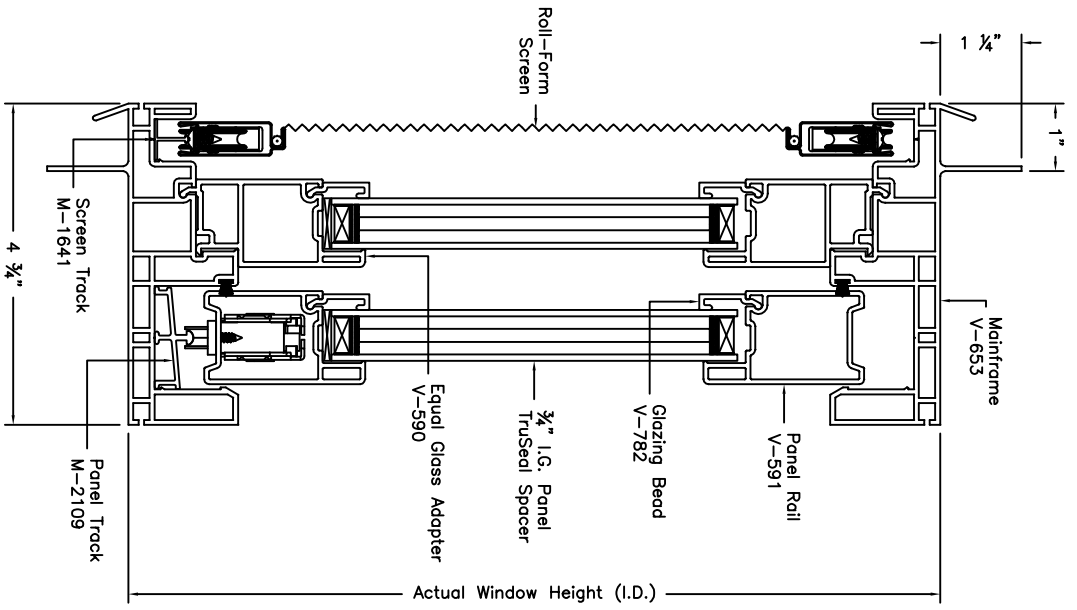
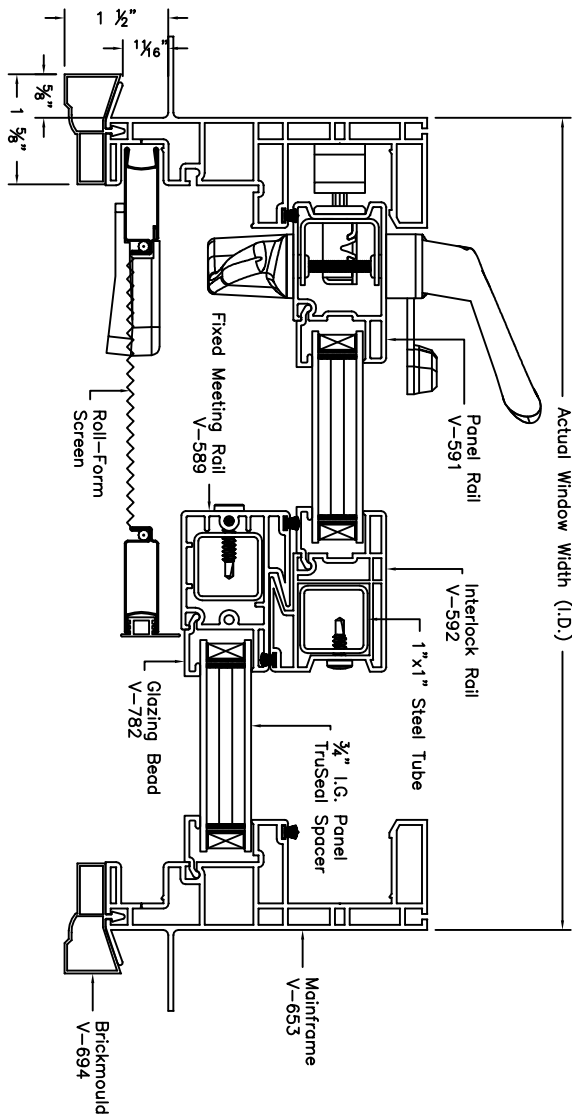
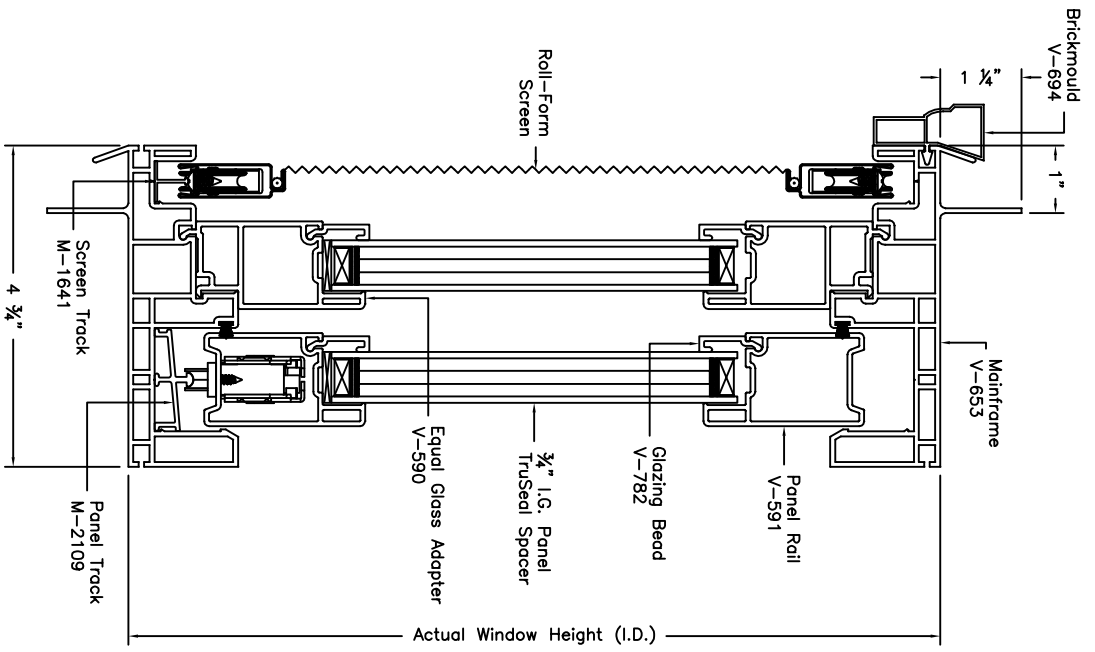


LITERATURE		REVISIONS		DATE		BY		PERMETER:	
ECN #									
MATERIAL:		FINISH:		UNSPECIFIED WALL:		BREAK ALL CORNERS R.015, UNLESS OTHERWISE SPECIFIED			
AREC:		WEIGHT:		PERMETER:		The information, design or data shown on this document or electronic media is the exclusive property of MI Windows and Doors, LLC. It is considered confidential and proprietary and is made available for limited use only. Its use or reproduction without the expressed written consent of MI Windows and Doors, LLC., is prohibited.			
DESCRIPTION:		PRODUCT:		SCALE:		PART NUMBER:		DATE:	
910 Series Sliding Glass Door with Mounting Fin Mainframe		910SGD		1:2		CS-000285		01/11/16	
DFTM: BRS		DRAWING NUMBER:		CS-000285					

**MIWD** MI WINDOWS AND DOORS  
 600 WEST MARKET STREET GAITHERSBURG, MD 20878

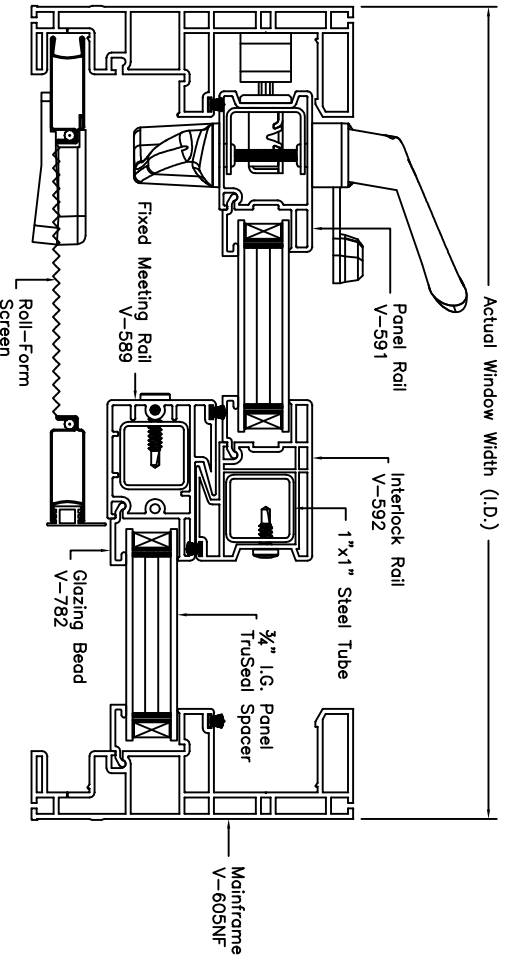
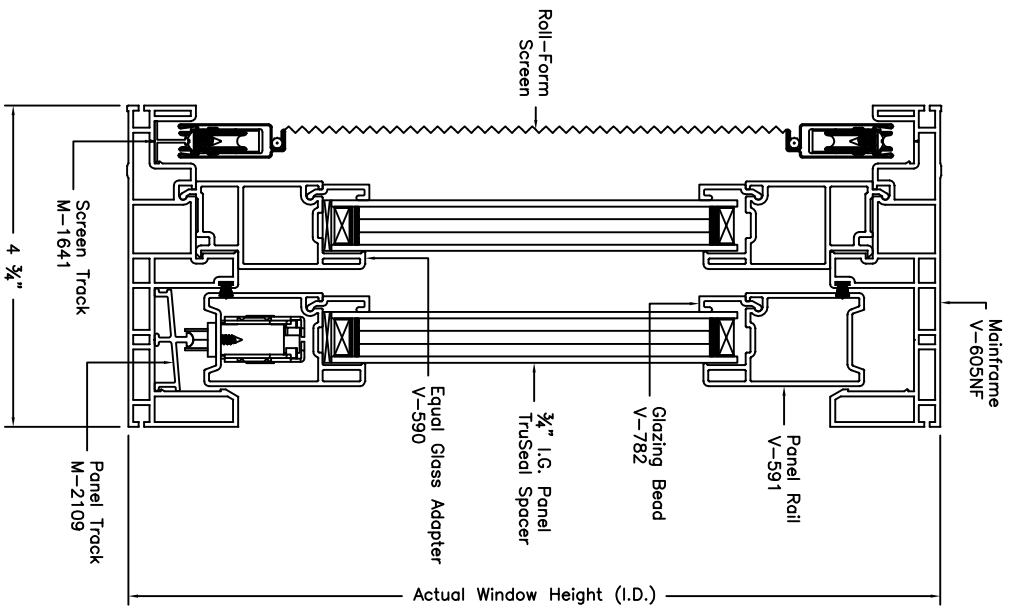


LITERATURE		MATERIAL:		UNSPECIFIED WALL:		<b>MIND</b> MI WINDOWS AND DOORS 600 WEST MARKET STREET GAITHERSBURG, MD 20878-0370		DESCRIPTION: 910 Series Sliding Glass Door with J-Channel Mainframe		
ECN #		FINISH:		BREAK ALL CORNERS R.015, UNLESS OTHERWISE SPECIFIED				PRODUCT: 910SGD		SCALE: 1:2
REVISIONS		AREA:		PERIMETER:				DATE: 01/11/16		PART NUMBER:
DATE		BY		PERIMETER:				DRAWING NUMBER: CS-000284		



LITERATURE		MATERIAL:		UNSPECIFIED WALL:		<p><b>MIWD</b> MI WINDOWS AND DOORS          600 WEST MARKET STREET GAITHERSBURG, PA 17033-0370</p> <p>The information, design or data shown on this document or electronic media is the exclusive property of MI Windows and Doors, LLC. It is considered confidential and proprietary and is made available for limited use only. Its use or reproduction without the expressed written consent of MI Windows and Doors, LLC., is prohibited.</p>	
ECN #		FINISH:		BREAk ALL CORNERS R.015, UNLESS OTHERWISE SPECIFIED			
REVISIONS		AREA:		PRODUCT: 910SGD			
DATE		WEIGHT:		SCALE: 1:2			
BY		PERIMETER:		PART NUMBER:		DATE: 04/05/16	
				DRAWING NUMBER: CS-000364			

DESCRIPTION: 910 Series Sliding Glass Door with Brickmould Accessory



LITERATURE		REVISIONS		DATE		BY		PERMETER:	
ECN #									
MATERIAL:		UNSPECIFIED WALL:		<p><b>MIWD</b> MI WINDOWS AND DOORS          600 WEST MARKET STREET GAITHERSBURG, MD 20878-1070</p> <p>The information, design or data shown on this document or electronic media is the exclusive property of MI Windows and Doors, LLC. It is considered confidential and proprietary and is made available for limited use only. Its use or reproduction without the expressed written consent of MI Windows and Doors, LLC., is prohibited.</p>					
FINISH:		UNSPECIFIED WALL:							
AREA:		UNSPECIFIED WALL:							
WEIGHT:		UNSPECIFIED WALL:							
DESCRIPTION:		PRODUCT:		SCALE:		PART NUMBER:		DATE:	
910 Series Sliding Glass Door with Finless Mainframe		910SGD		1:2				01/11/16	
DFTM: BRS		DRAWING NUMBER: CS-000286							