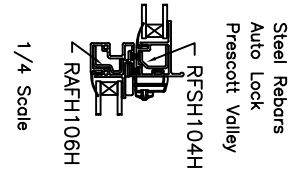
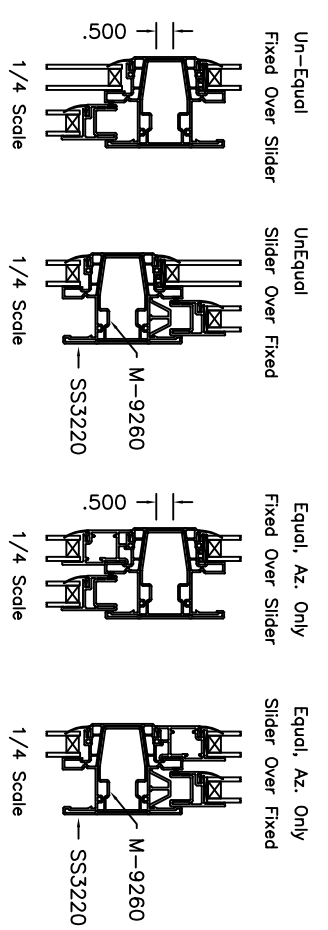
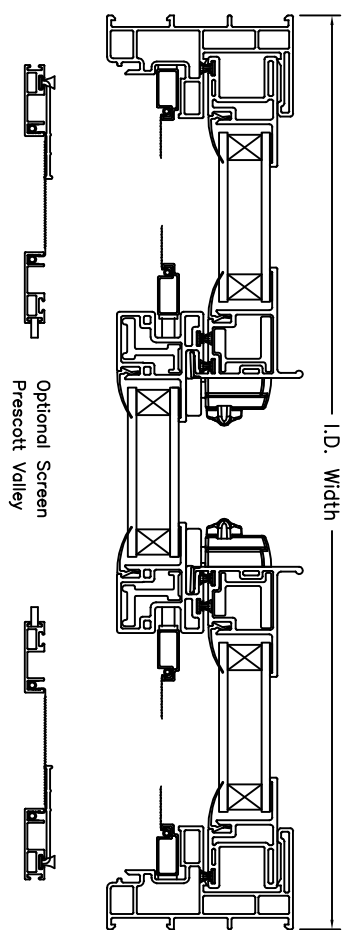
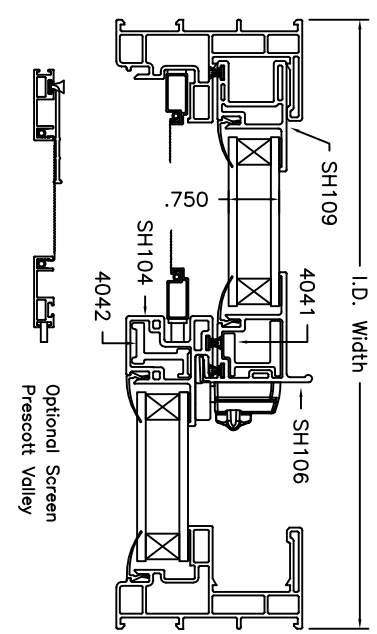
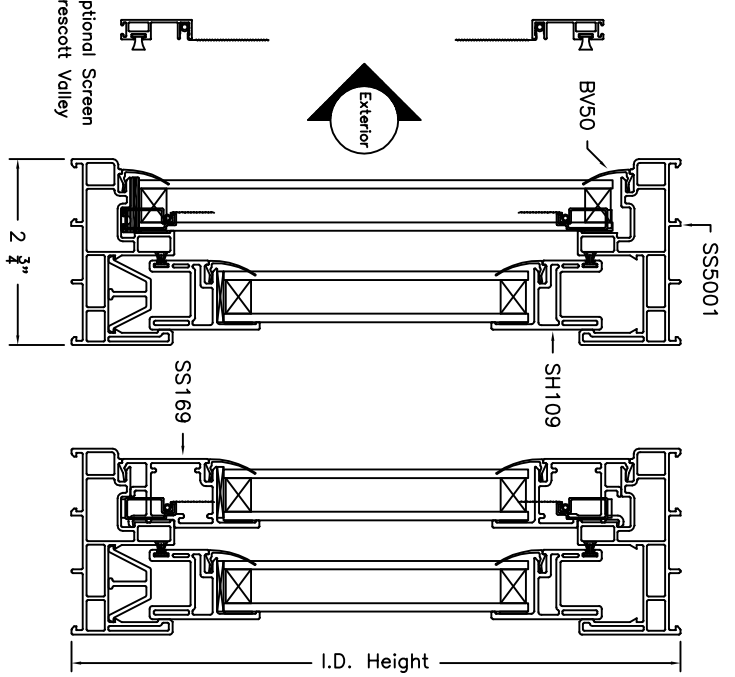
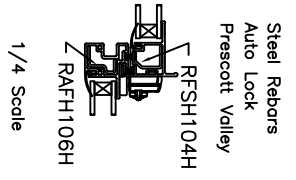
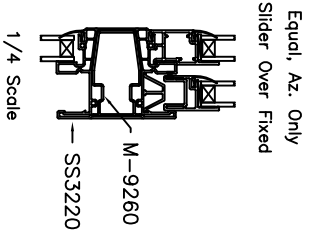
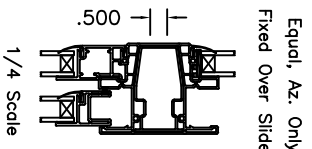
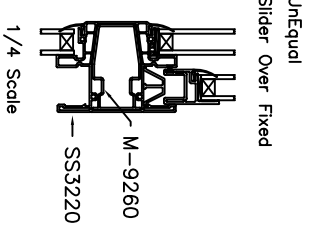
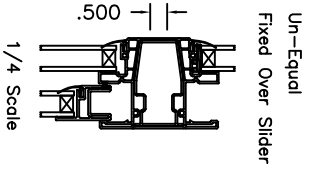
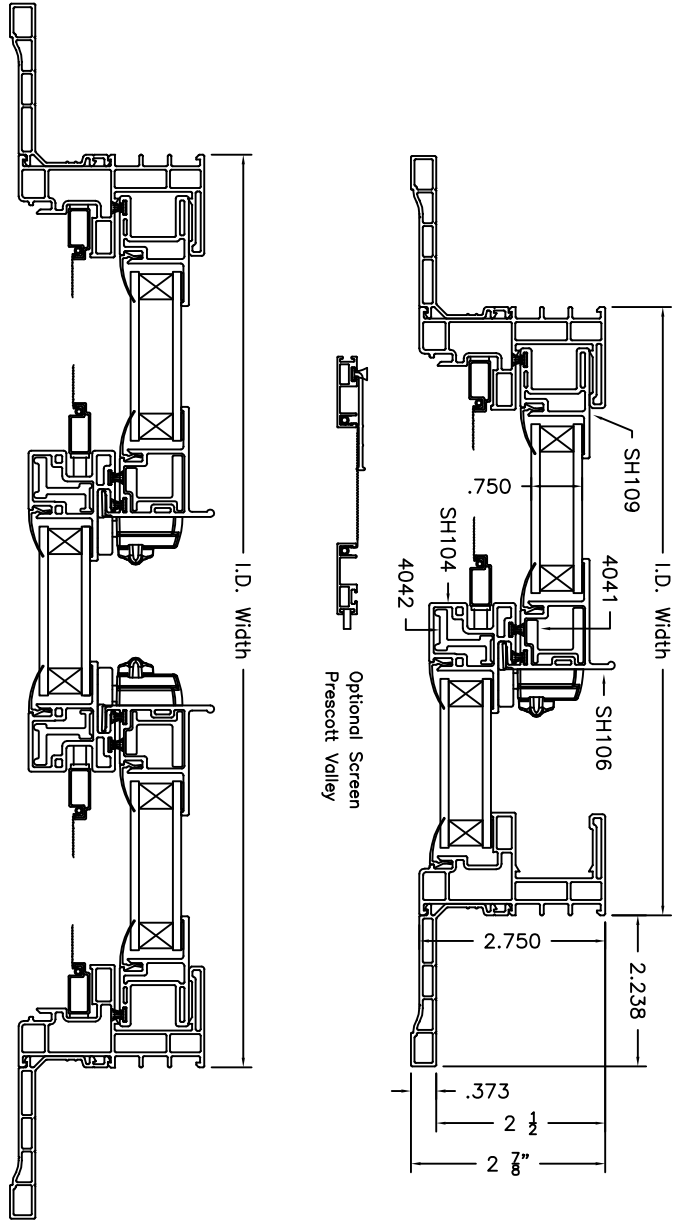
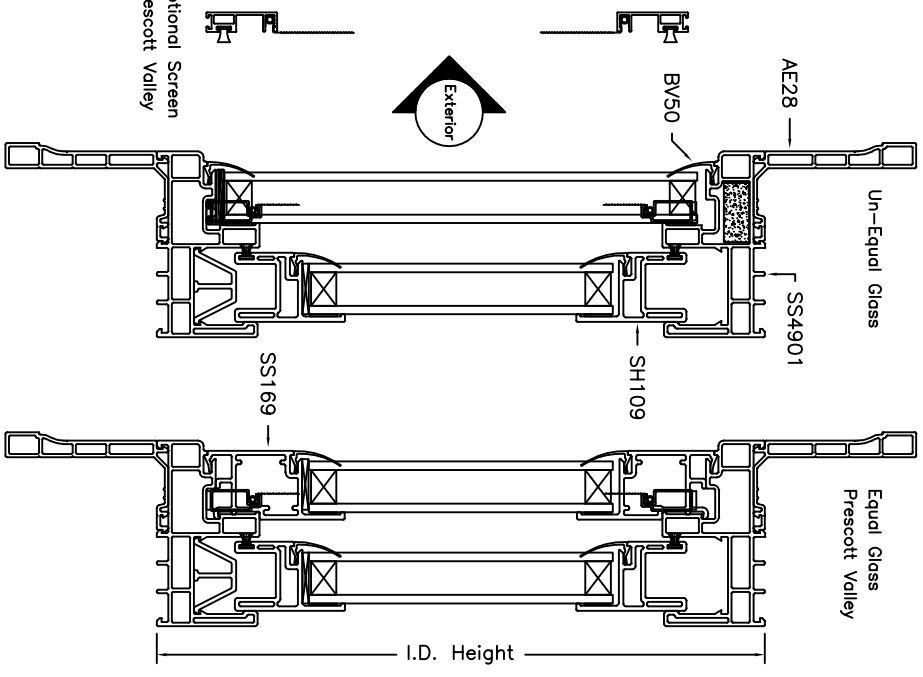


Un-Equal Glass
Equal Glass
Prescott Valley



MATERIAL:		UNSPECIFIED WALL:		<p>MiWD MI WINDOWS AND DOORS 400 WEST MARKET STREET SUITE 204 PA 17033-0370</p> <p>The information, design or data shown on this document or electronic media is the exclusive property of Mi Windows and Doors, LLC. It is considered confidential and proprietary and is made available for limited use only, its use or reproduction without the expressed written consent of Mi Windows and Doors, LLC., is prohibited.</p>	DESCRIPTION: Cross Sectional Drawing Finless Frame, Horizontal Slider	
FINISH:		AREC:			PRODUCT: 5800	DATE: 08/04/16
WEIGHT:		PERIMETER:			SCALE: Half	PART NUMBER:
REVISIONS:		DATE BY			DFTM: T.C.	DRAWING NUMBER: CS-000464
B	122A-16	Release revised M-4042 to production				
LTR	ECN #					



MATERIAL: UNSPECIFIED WALL.
FINISH: AREC.
WEIGHT: PERMETERS:
BREAK ALL CORNERS R.015, UNLESS OTHERWISE SPECIFIED

MiWD MI WINDOWS AND DOORS
400 WEST MARKET STREET SUITE 200, PA. 17003-0370

The information, design or data shown on this document or electronic media is the exclusive property of Mi Windows and Doors, LLC. It is considered confidential and proprietary and is made available for limited use only; its use or reproduction without the expressed written consent of Mi Windows and Doors, LLC, is prohibited.

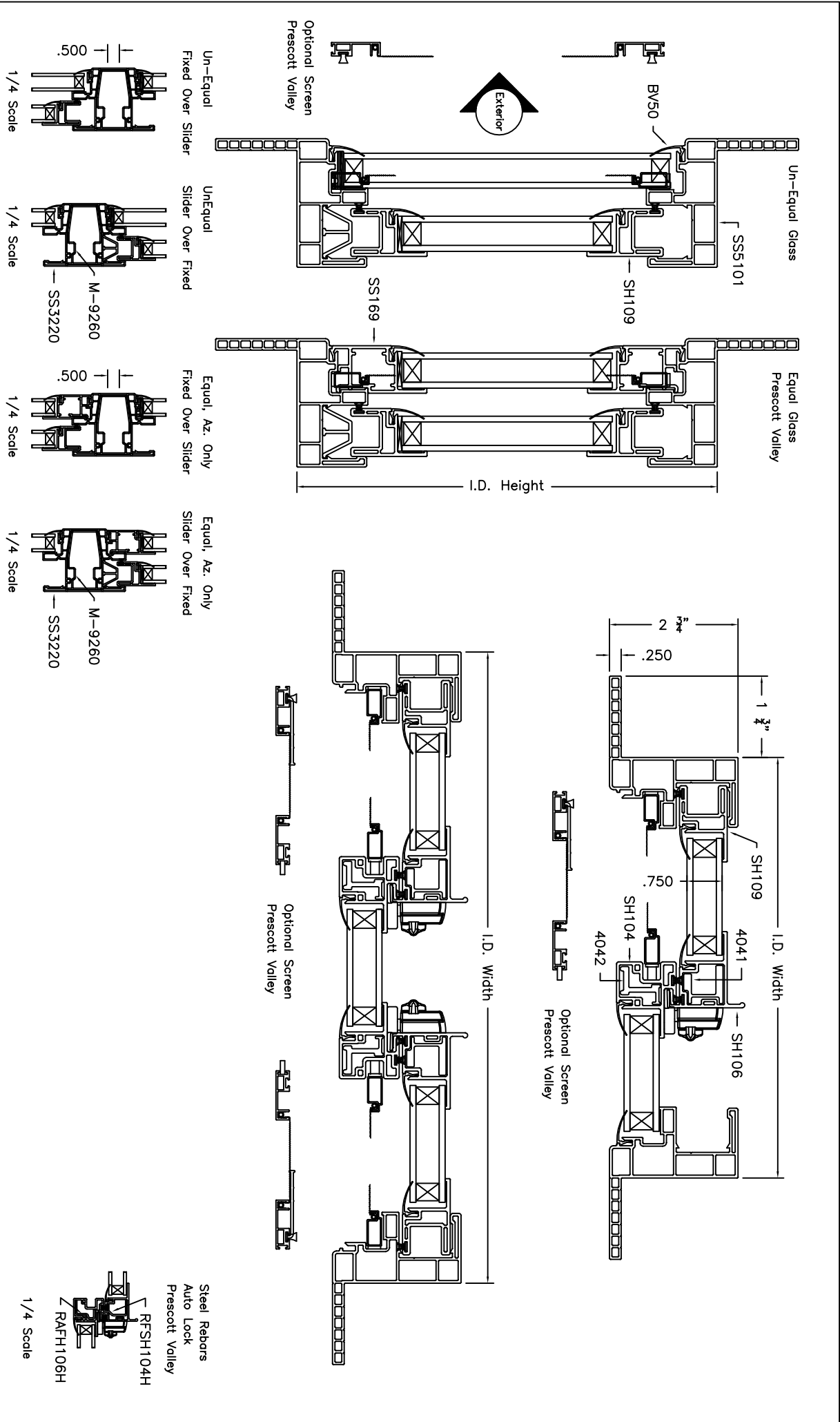
DESCRIPTION: Cross Sectional Drawing
2 1/4" Flange Frame, Horizontal Slider
PRODUCT: 5800
SCALE: Half
DATE: 08/04/16

TR	122A-16	Release revised M-4042 to production	08/17/16	T.C.
ECN #				
REVISIONS				

DATE	BY	PERMETERS:

DATE	BY	PERMETERS:

DATE	BY	PERMETERS:



LITERATURE						
B	122A-16	Release revised M-4042 to production	08/17/16	T.C.		
	ECN #					
MATERIAL:		UNSPECIFIED WALL:				
FINISH:						
AREA:						
WEIGHT:		BREAK ALL CORNERS R.015, UNLESS OTHERWISE SPECIFIED				
PERIMETER:						
DESCRIPTION: Cross Sectional Drawing 1 3/4" Flange Frame, Horizontal Slider			PRODUCT: 5800		DATE: 08/04/16	
SCALE: Half			PART NUMBER:		DRAWING NUMBER: CS-000467	
DFTM: T.C.						

122A-16

Release revised M-4042 to production

08/17/16 T.C.

ECN #

MATERIAL: UNSPECIFIED WALL:

FINISH: AREA: WEIGHT: PERIMETER:

BREAK ALL CORNERS R.015, UNLESS OTHERWISE SPECIFIED

DESCRIPTION: Cross Sectional Drawing
1 3/4" Flange Frame, Horizontal Slider

PRODUCT: 5800

SCALE: Half

DFTM: T.C.

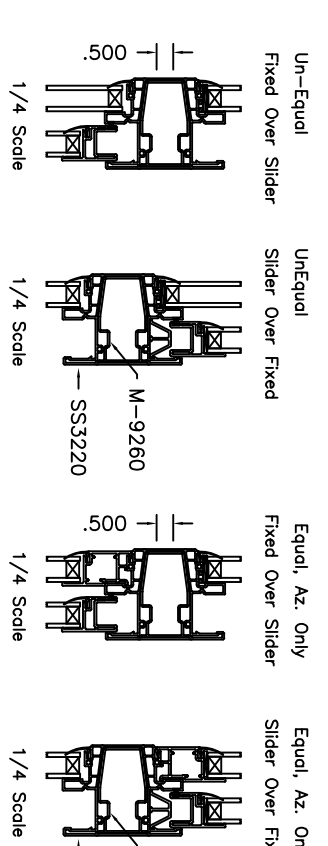
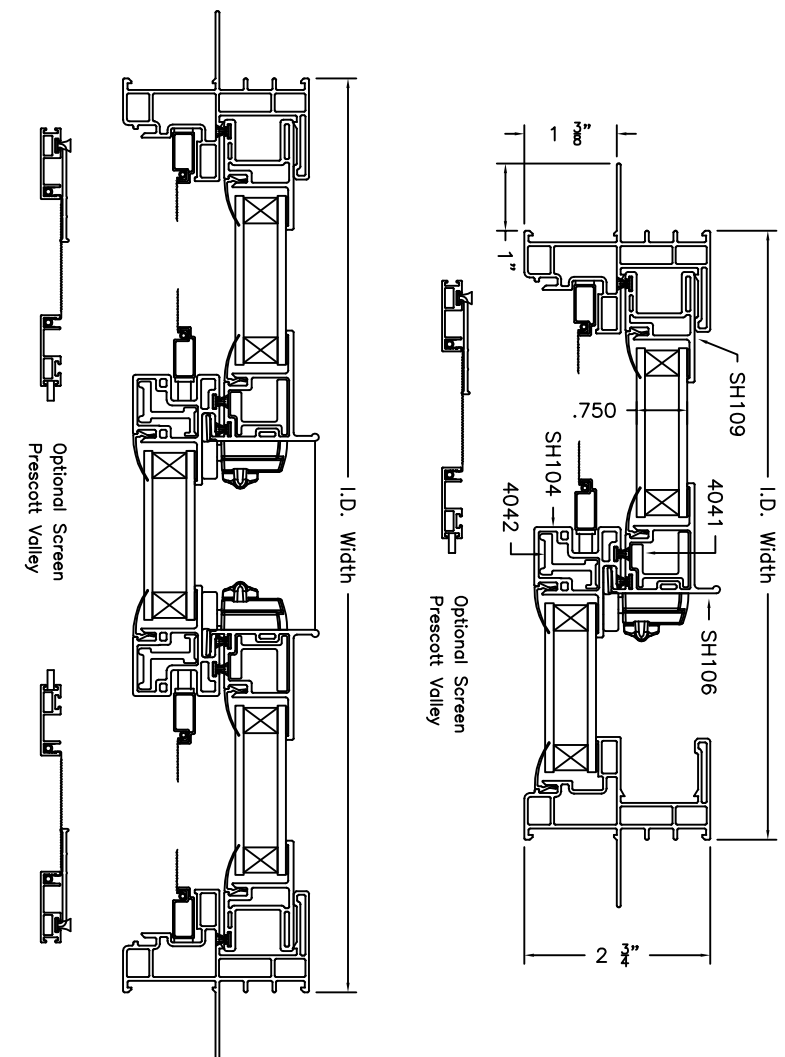
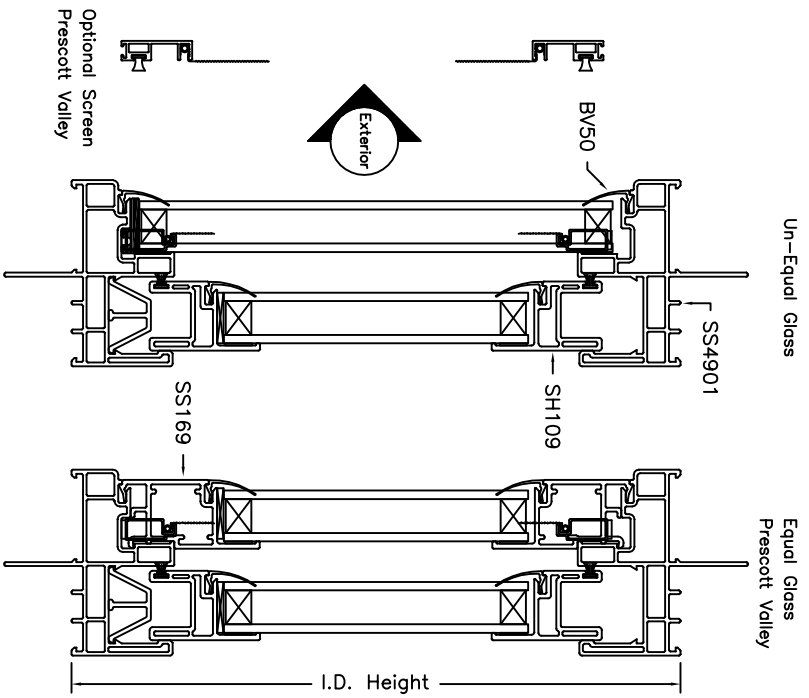
PART NUMBER:

DRAWING NUMBER: CS-000467

DATE: 08/04/16

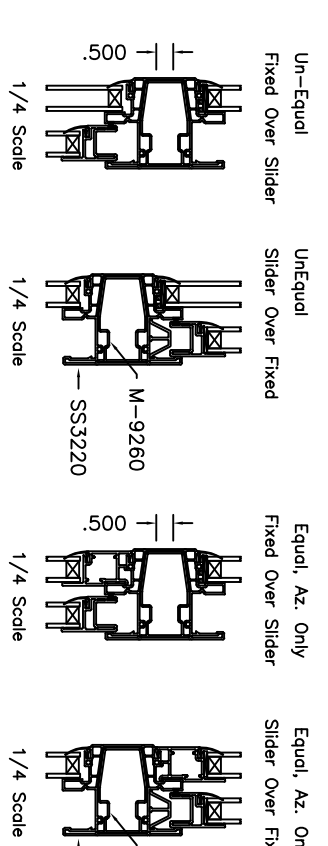
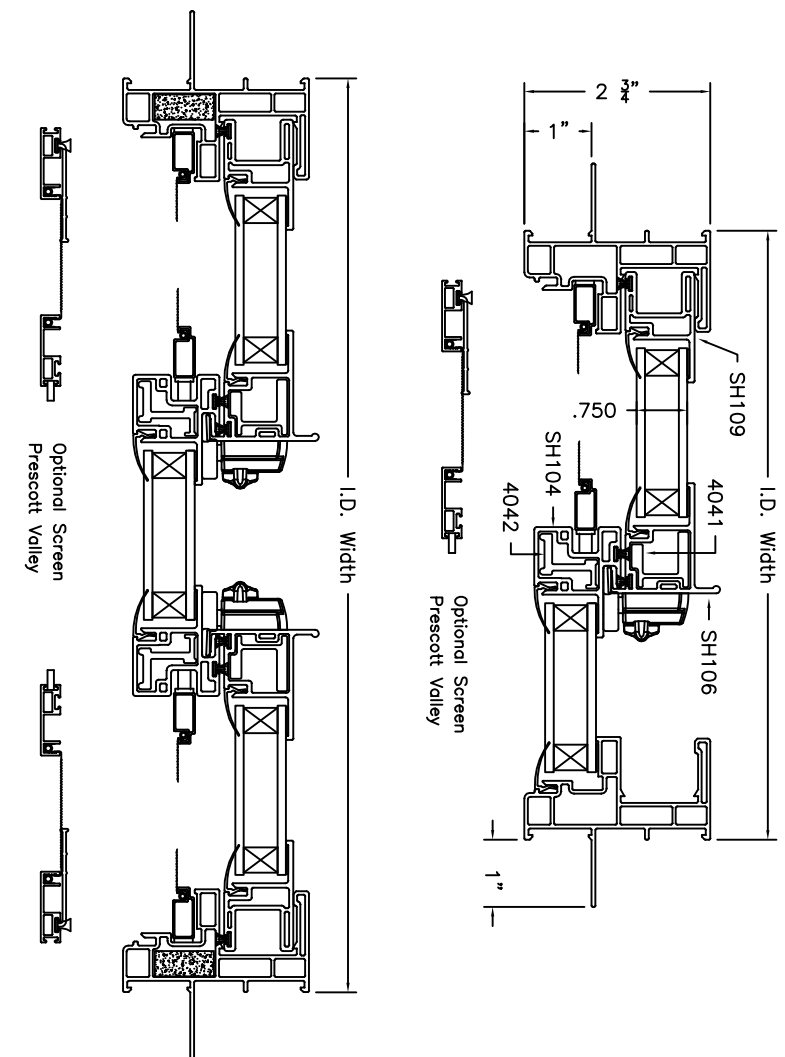
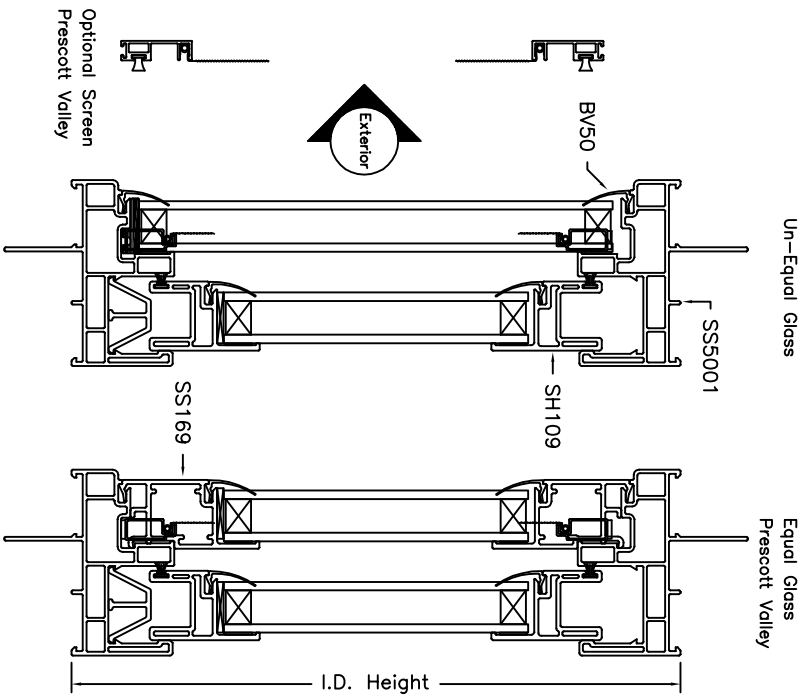
The information, design or data shown on this document or electronic media is the exclusive property of MI Windows and Doors, LLC. It is considered confidential and proprietary and is made available for limited use only. Its use or reproduction without the expressed written consent of MI Windows and Doors, LLC, is prohibited.

MIWD MI WINDOWS AND DOORS
 400 WEST MARKET STREET GAITHERSBURG, MD 20878
 1700-0370



MATERIAL:		UNSPECIFIED WALL:		MWMD MI WINDOWS AND DOORS 600 WEST MARKET STREET SUITE 204 PA 17033-0370	DESCRIPTION: Cross Sectional Drawing	
FINISH:		ARCA			1 3/8" Fin Setback Frame, Horizontal Slider	
WEIGHT:		PERIMETER:			PRODUCT: 5800	
DATE: 08/17/16		BY: T.C.			SCALE: Half	
REVISIONS:		DATE: 08/17/16		PART NUMBER:		DATE: 08/04/16
LTR #		EON #		DRAWING NUMBER: CS-000466		
B		122A-16		Release revised M-4042 to production		

The information, design or data shown on this document or electronic media is the exclusive property of MI Windows and Doors, LLC. It is considered confidential and proprietary and is made available for limited use only. Its use or reproduction without the expressed written consent of MI Windows and Doors, LLC., is prohibited.



MATERIAL:		UNSPECIFIED WALL:		MiWD MI WINDOWS AND DOORS 400 WEST MARKET STREET SUITE 204 PA 17033-0370		DESCRIPTION: Cross Sectional Drawing	
FINISH:		AREC:				1" Fin Setback Frame, Horizontal Slider	
WEIGHT:		PERIMETER:				PRODUCT: 5800	
DATE:		BY:				SCALE: Half	
REVISIONS:		T.C.:		DATE: 08/04/16		PART NUMBER:	
122A-16		Release revised M-4042 to production		08/17/16		DRAWING NUMBER: CS-000465	
EON #							

The information, design or data shown on this document or electronic media is the exclusive property of Mi Windows and Doors, LLC. It is considered confidential and proprietary and is made available for limited use only, its use or reproduction without the expressed written consent of Mi Windows and Doors, LLC, is prohibited.