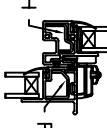


Fixed Portion Track Filler
 Secondary Supplier Veka
 Veka Shape # AC02

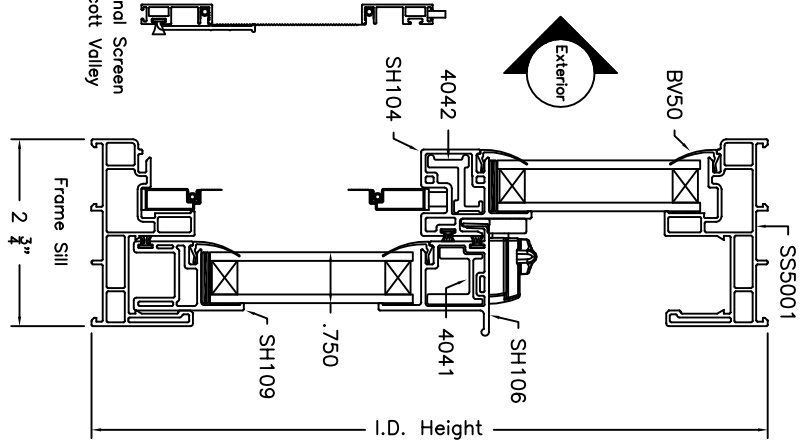


Steel Rebars
 Auto Lock
 Prescott Valley

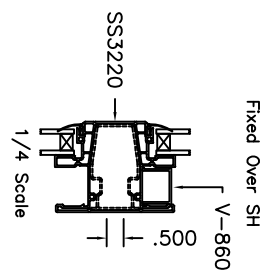
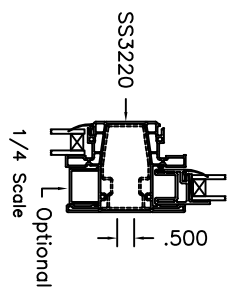


RAFH106H
 RFSH104H
 1/4 Scale

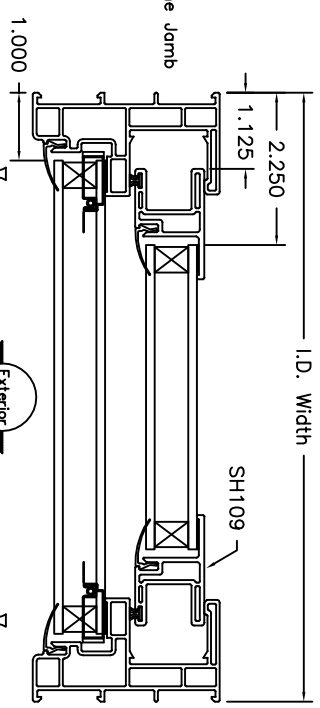
Frame Head



Optional Screen
 Prescott Valley

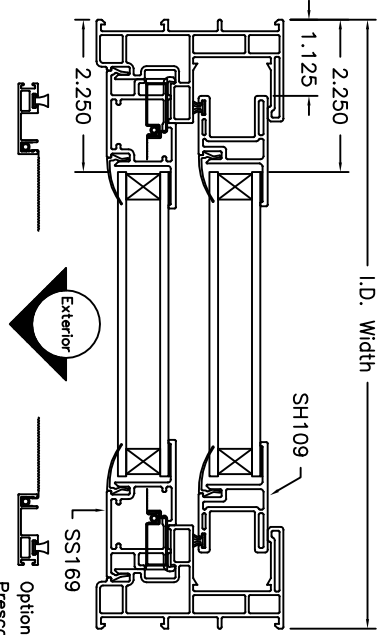


Frame Jamb



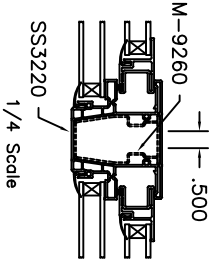
Un-Equal Glass

Frame Jamb

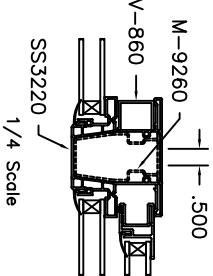


Equal Glass
 Prescott Valley Only

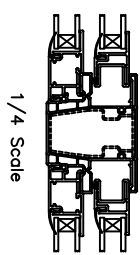
SH Beside SH
 Intermediate Detail



SH Beside Fixed
 Intermediate Detail



SH Beside SH
 Intermediate Detail
 One Side Can Be Fixed
 Prescott Valley

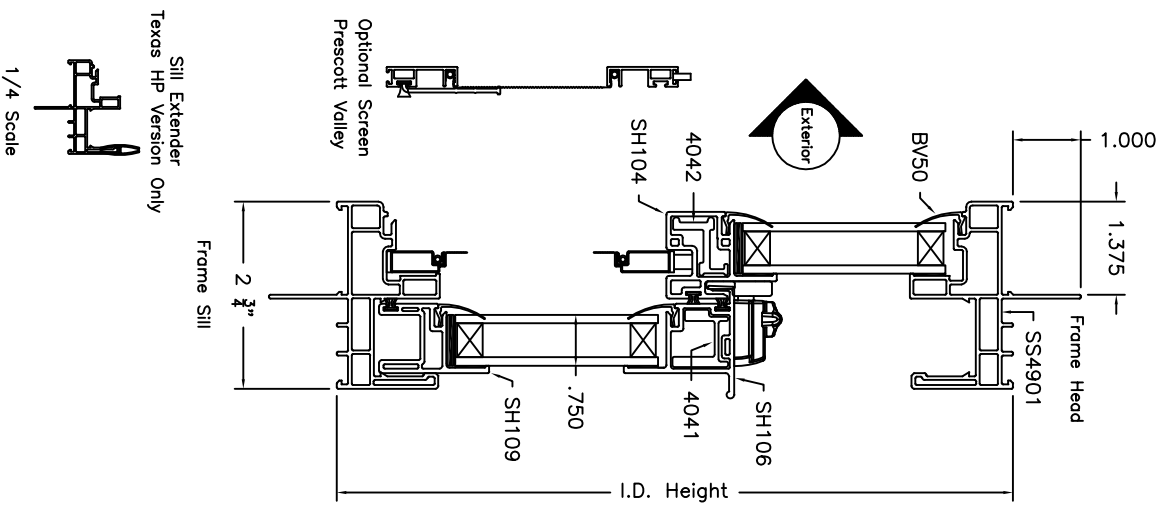


MIWD MI WINDOWS AND DOORS
 600 WEST MARKET STREET SUITE 1000-0370
 GARDEN CITY, PA 17030-0370

DESCRIPTION: Cross Sectional Drawing
 Finless

DATE: 08/04/16

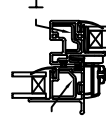
MATERIAL:		UNSPECIFIED WALL:		The information, design or data shown on this document or electronic medium is the exclusive property of MI Windows and Doors, LLC. It is considered confidential and proprietary and is made available for limited use only. Its use or reproduction without the expressed written consent of MI Windows and Doors, LLC, is prohibited.	
FINISH:		ARBE:		PRODUCT: 5500 SH	
WEIGHT:		PERMETER:		SCALE: Half	
DATE: 08/17/16		BY: T.C.		PART NUMBER:	
ECON #		REVISIONS		DRAWING NUMBER: CS-000459	
B 122A-16		Release of M-4042 to production			
LTR					



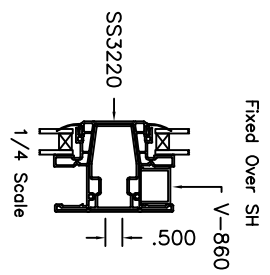
Fixed Portion Track Filler
Secondary Supplier Veka
Veka Shape # AC02



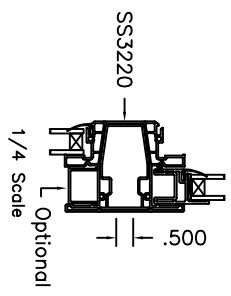
Steel Rebars
Auto Lock
Prescott Valley



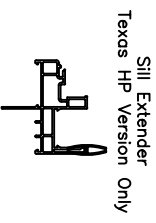
RAFH106H
RFSH104H
1/4 Scale



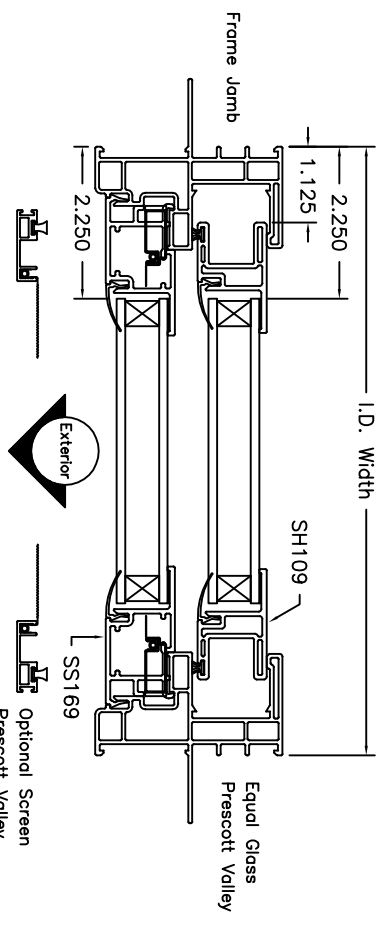
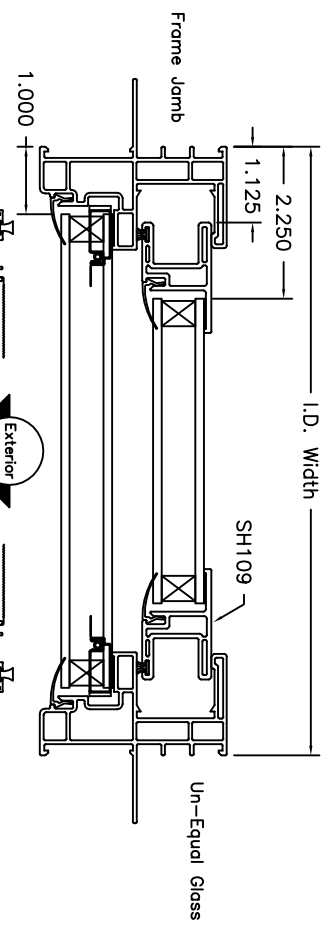
SH Over Fixed



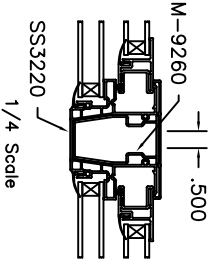
1/4 Scale



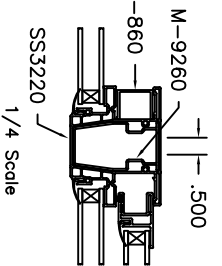
Sill Extender
Texas HP Version Only



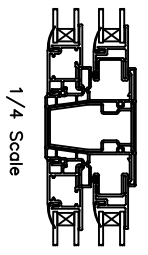
SH Beside SH
Intermediate Detail
1/4 Scale



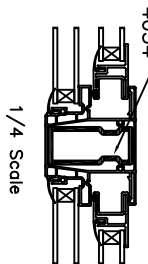
SH Beside Fixed
Intermediate Detail
1/4 Scale



SH Beside SH
Intermediate Detail
One Side Can Be Fixed
Prescott Valley
1/4 Scale



SH Beside SH
Intermediate Detail
Flower Mound
1/4 Scale



MATERIAL:		UNSPECIFIED WALL:		<p>MiWD MI WINDOWS AND DOORS 600 WEST MARKET STREET SUITE 201 PA 1500-0370</p> <p>The information, design or data shown on this document or electronic media is the exclusive property of Mi Windows and Doors, LLC. It is considered confidential and proprietary and is made available for limited use only. Its use or reproduction without the expressed written consent of Mi Windows and Doors, LLC, is prohibited.</p>	
FINISH:		ARBEK			
WEIGHT:		PERMETERS:			
DATE: 08/17/16		BY: T.C.			
DESCRIPTION: Cross Sectional Drawing Fin. 1 3/8" Setback		PRODUCT: 5500 SH		DATE: 08/04/16	
SCALE: Half		PART NUMBER:		DRAWING NUMBER: CS-000461	
REVISIONS:		DATE: 08/17/16		BY: T.C.	
122A-16		Release M-4042 revised to production		ECON #	
LTR					