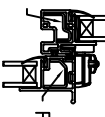


Fixed Portion Track Filler
Secondary Supplier Veka
Veka Shape # AC02

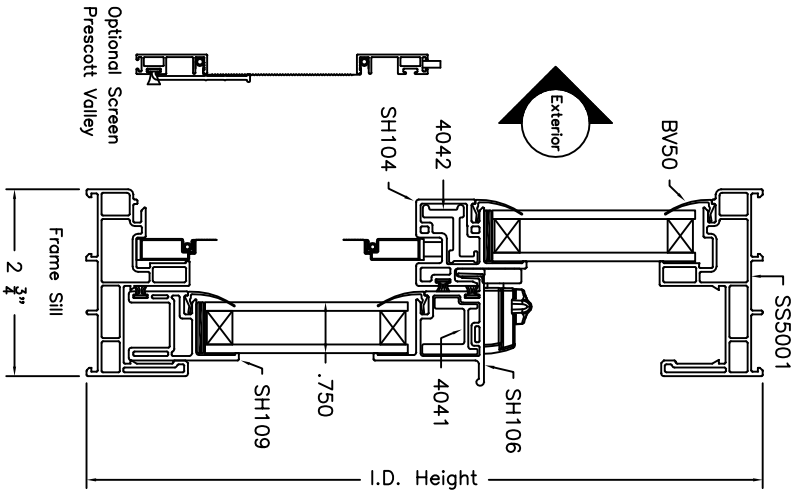


Steel Rebars
Auto Lock
Prescott Valley

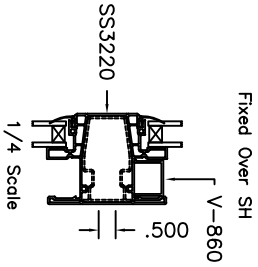
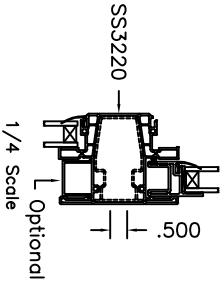


RAFH106H
RFSH104H
1/4 Scale

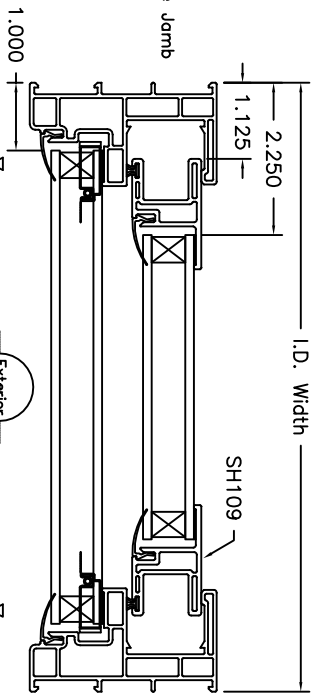
Frame Head



Optional Screen
Prescott Valley

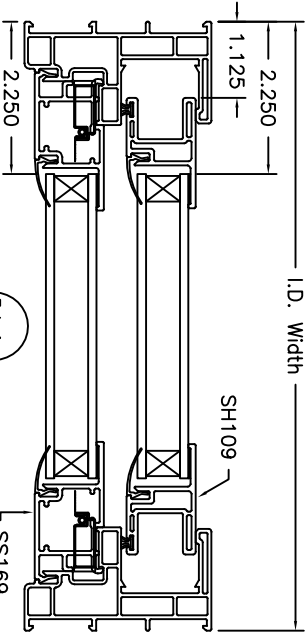


Frame Jamb



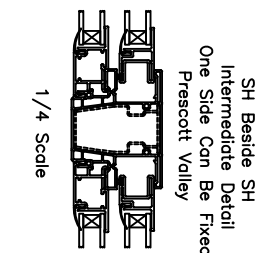
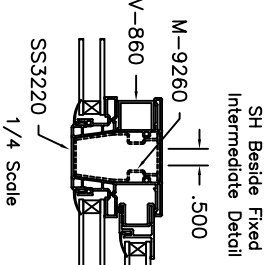
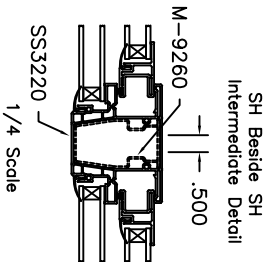
Un-Equal Glass

Optional Screen
Prescott Valley



Equal Glass
Prescott Valley Only

Optional Screen
Prescott Valley



MATERIAL:

UNSPECIFIED WALL:

MIWD MI WINDOWS AND DOORS
600 WEST MARKET STREET SUITE 1000-0370
GRUZZ, PA 17030-0370

DESCRIPTION: Cross Sectional Drawing
Finless

FINISH:

ARBE:

PRODUCT: 5500 SH

SCALE: Half

DATE: 08/04/16

WEIGHT:

BREAK ALL CORNERS
R.015, UNLESS
OTHERWISE SPECIFIED

The information, design or data shown on this document or electronic media is the exclusive property of MI Windows and Doors, LLC. It is considered confidential and proprietary and is made available for limited use only. Its use or reproduction without the expressed written consent of MI Windows and Doors, LLC, is prohibited.

DATE: 08/17/16

PART NUMBER:

DRAWING NUMBER: CS-000459

B 122A-16 Release of M-4042 to production

08/17/16 T.C. PERMETER:

REVISIONS

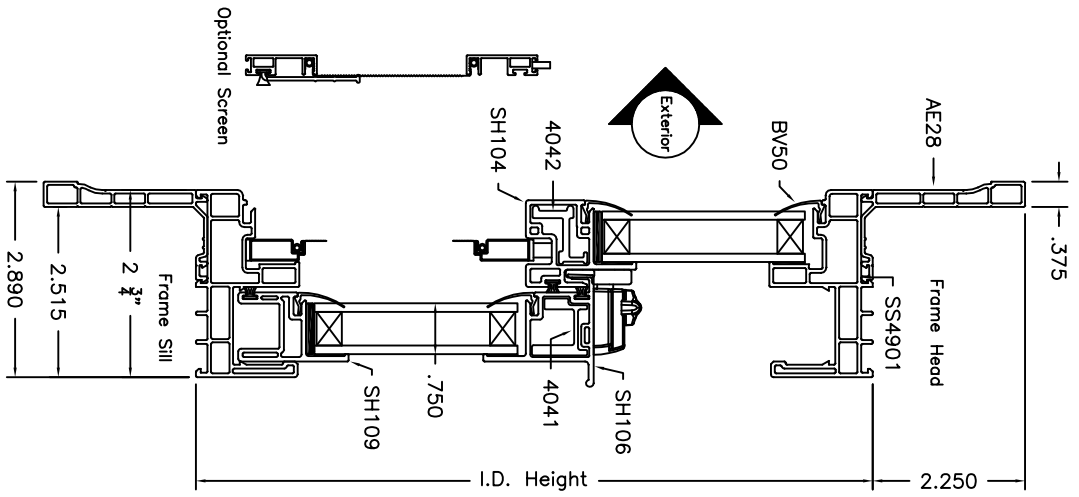
DATE: 08/17/16

DFTM: T.C.

DRAWING NUMBER: CS-000459

DATE: 08/04/16

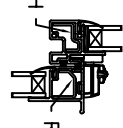
2 1/4" Flange ONLY available in Prescott Valley



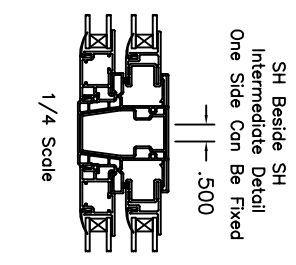
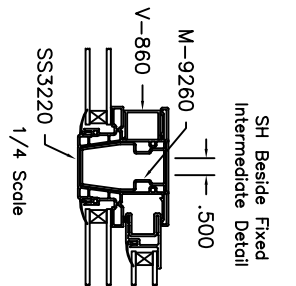
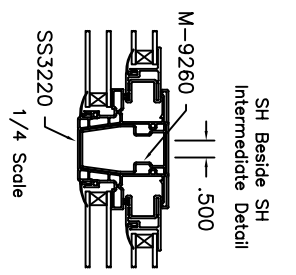
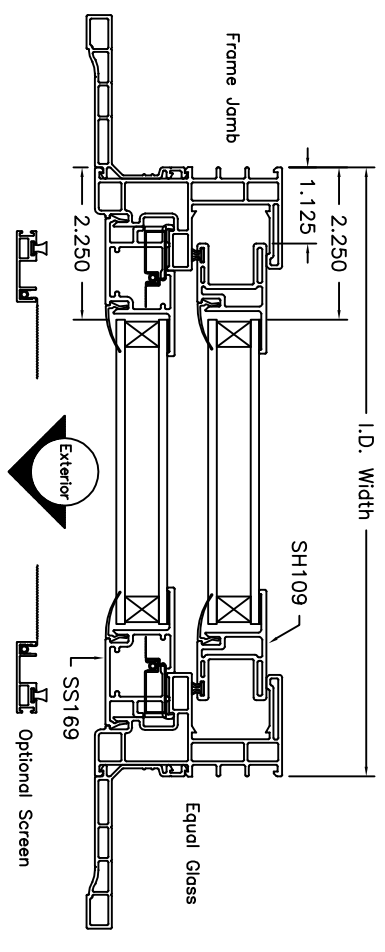
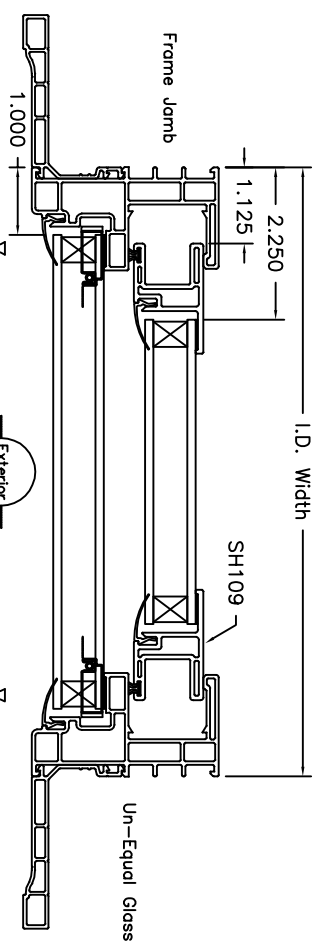
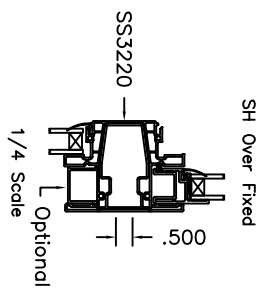
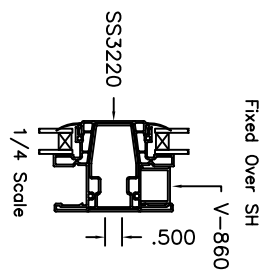
Fixed Portion Track Filler
Secondary Supplier Veka
Veka Shape # AC02



Steel Rebars
Auto Lock



RAFH106H
RFSH104H
1/4 Scale

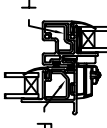


MATERIAL:		UNSPECIFIED WALL:		<p>MIND MI WINDOWS AND DOORS 400 WEST MARKET STREET GAITHERSBURG, MD 20878</p> <p>The information, design or data shown on this document or electronic media is the exclusive property of MI Windows and Doors, LLC. It is considered confidential and proprietary and is made available for limited use only. Its use or reproduction without the expressed written consent of MI Windows and Doors, LLC., is prohibited.</p>	
FINISH:		AR6C			
WEIGHT:		PERMETER:		PRODUCT: 5500 SH	
DATE: 08/17/16		BY: T.C.		SCALE: Half	
REVISIONS:		DATE: 08/04/16		PART NUMBER:	
LITR		ECN #		DRAWING NUMBER: CS-000463	
122A-16		Release revised M-4042 to production		DATE: 08/04/16	

Fixed Portion Track Filler
 Secondary Supplier Veka
 Veka Shape # AC02

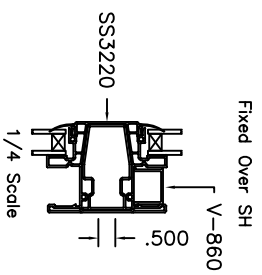
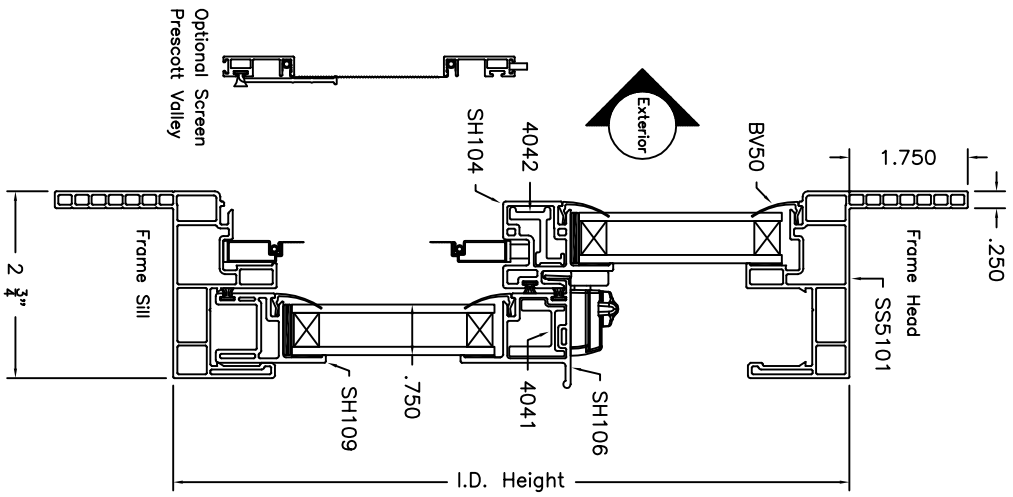


Steel Rebars
 Auto Lock
 Prescott Valley

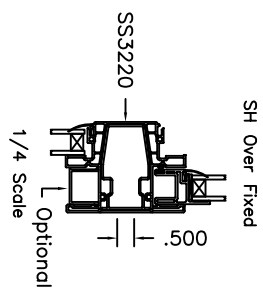


RAFH106H
 RFSH104H

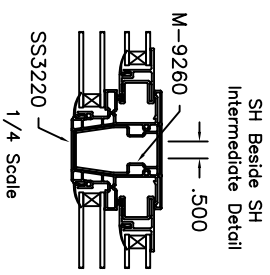
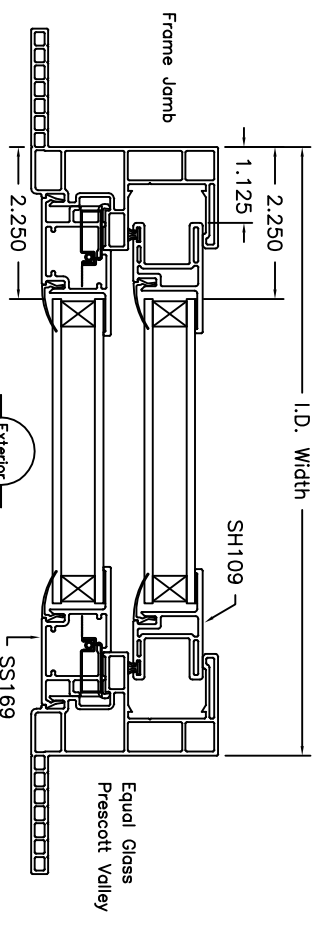
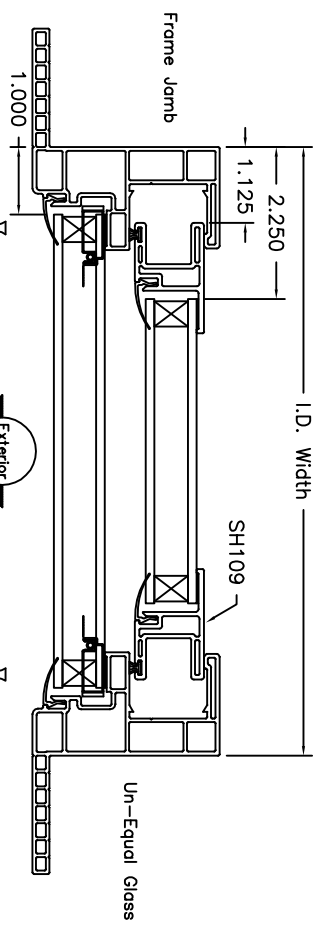
1/4 Scale



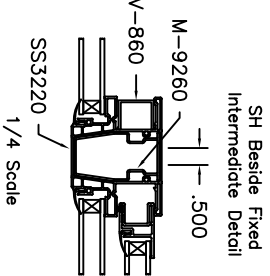
Fixed Over SH
 V-860
 SSS3220
 1/4 Scale



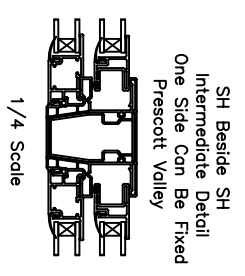
SH Over Fixed
 SSS3220
 Optional
 1/4 Scale



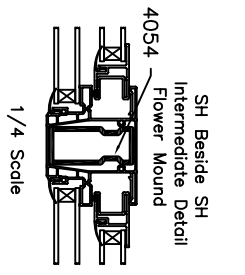
SH Beside SH
 Intermediate Detail
 M-9260
 SSS3220
 1/4 Scale



SH Beside Fixed
 Intermediate Detail
 M-9260
 V-860
 SSS3220
 1/4 Scale



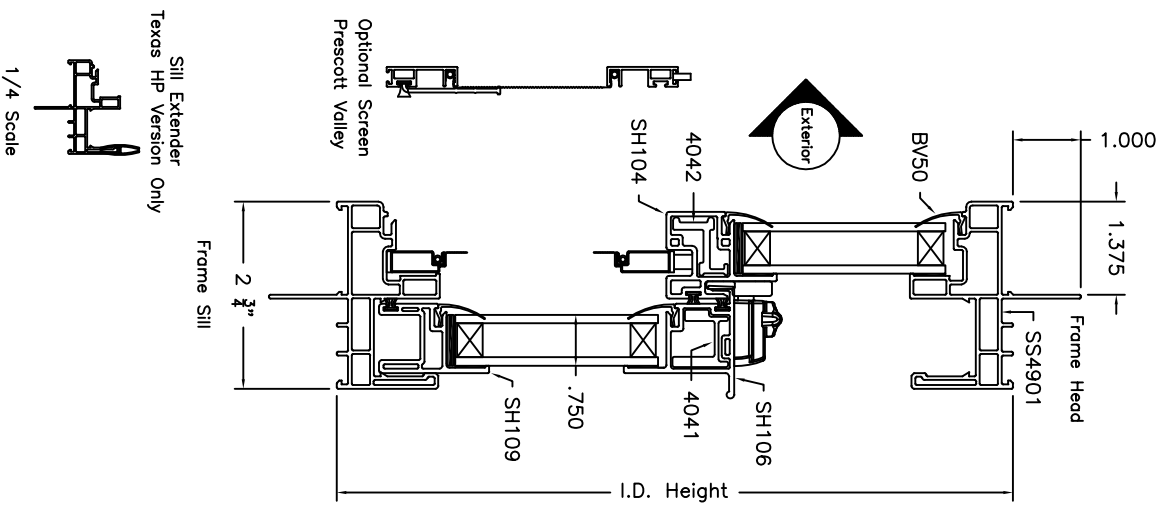
SH Beside SH
 Intermediate Detail
 One Side Can Be Fixed
 Prescott Valley
 1/4 Scale



SH Beside SH
 Intermediate Detail
 4054
 Flower Mound
 1/4 Scale

MATERIAL:		UNSPECIFIED WALL:		MWD MI WINDOWS AND DOORS <small>600 WEST MARKET STREET SUITE 200 PA 17003-0270</small>		DESCRIPTION: Cross Sectional Drawing	
FINISH:		ARCA				1 3/4" Flange	
WEIGHT:		BREAK ALL CORNERS R015, UNLESS OTHERWISE SPECIFIED		PRODUCT: 5500 SH		SCALE: Half	
PERMETER:		DATE: 08/17/16 BY: T.C.		DATE: 08/04/16		PART NUMBER:	
REVISIONS:		122A-16 Release M-4042 revised to production		CS-000462		DRAWING NUMBER:	
EON #		LTR					

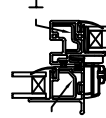
The information, design or data shown on this document or electronic media is the exclusive property of MI Windows and Doors, LLC. It is considered confidential and proprietary and is made available for limited use only; its use or reproduction without the expressed written consent of MI Windows and Doors, LLC, is prohibited.



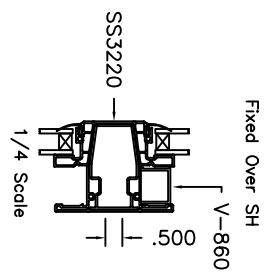
Fixed Portion Track Filler
Secondary Supplier Veka
Veka Shape # AC02



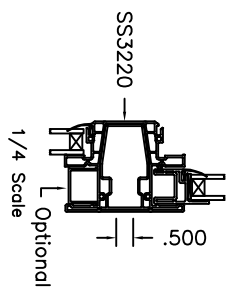
Steel Rebars
Auto Lock
Prescott Valley



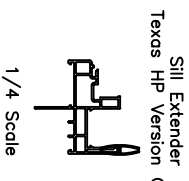
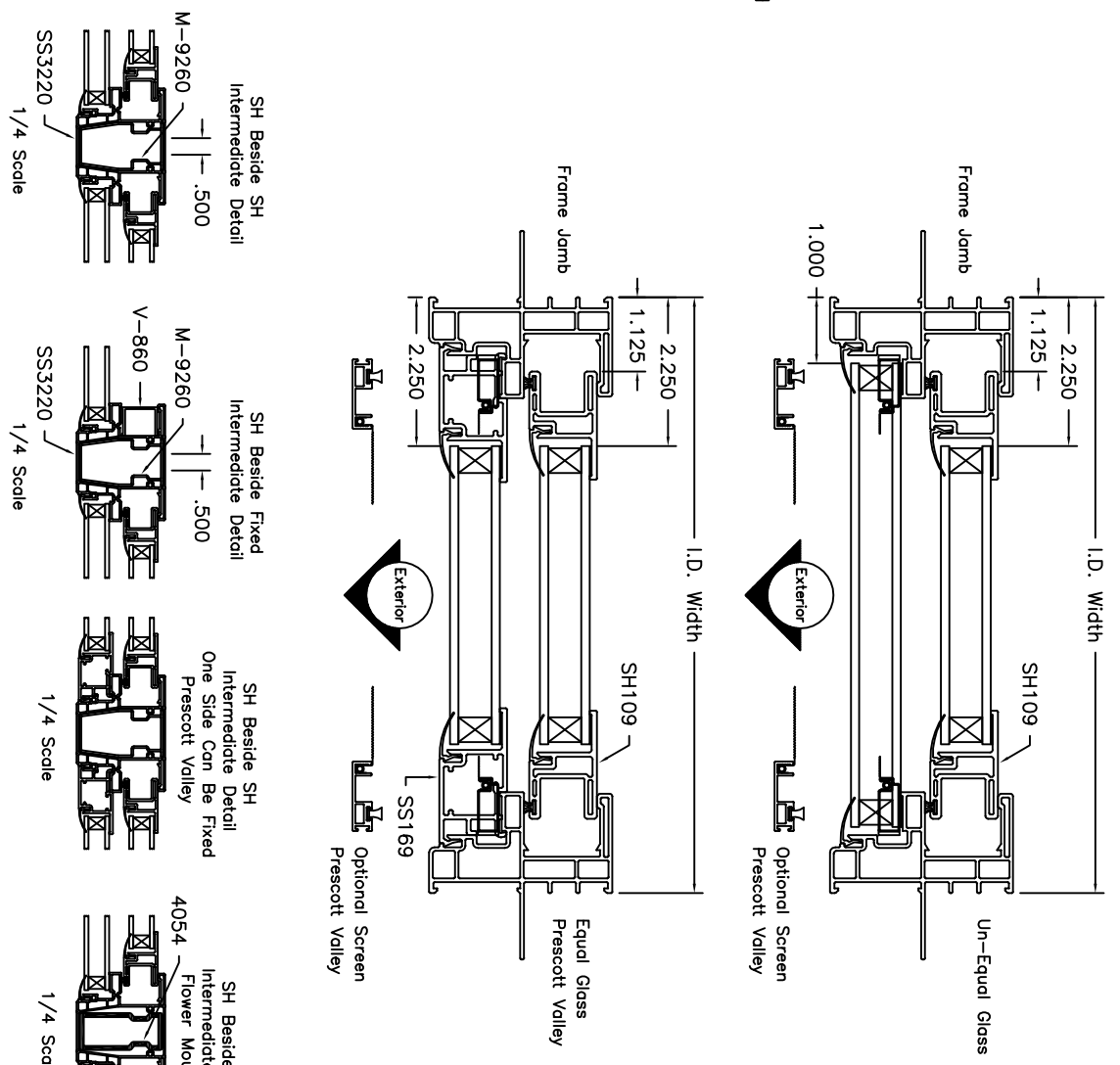
RAFH106H
RFSH104H
1/4 Scale



Fixed Over SH
1/4 Scale



Optional
1/4 Scale



Sill Extender
Texas HP Version Only
1/4 Scale

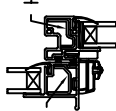
MATERIAL:		UNSPECIFIED WALL:		<p>MIWID MI WINDOWS AND DOORS 600 WEST MARKET STREET SUITE 201 PA 1500-0370</p> <p>The information, design or data shown on this document or electronic media is the exclusive property of MI Windows and Doors, LLC. It is considered confidential and proprietary and is made available for limited use only. Its use or reproduction without the expressed written consent of MI Windows and Doors, LLC, is prohibited.</p>	
FINISH:		ARBEK			
WEIGHT:		PERMETERS:			
DATE: 08/17/16		BY: T.C.			
DESCRIPTION: Cross Sectional Drawing Fin. 1 3/8" Setback		PRODUCT: 5500 SH		DATE: 08/04/16	
SCALE: Half		PART NUMBER:		DRAWING NUMBER: CS-000461	
REVISIONS:		DATE: 08/17/16		BY: T.C.	
122A-16		Release M-4042 revised to production		08/17/16	
EON #					
LTR					

1" Fin Sataback ONLY available in Prescott Valley

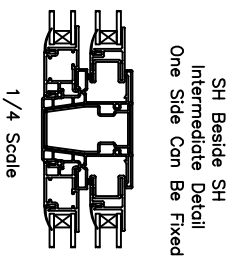
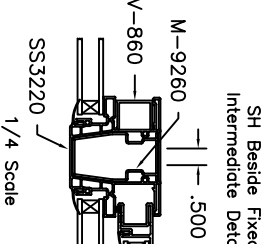
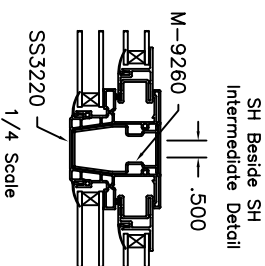
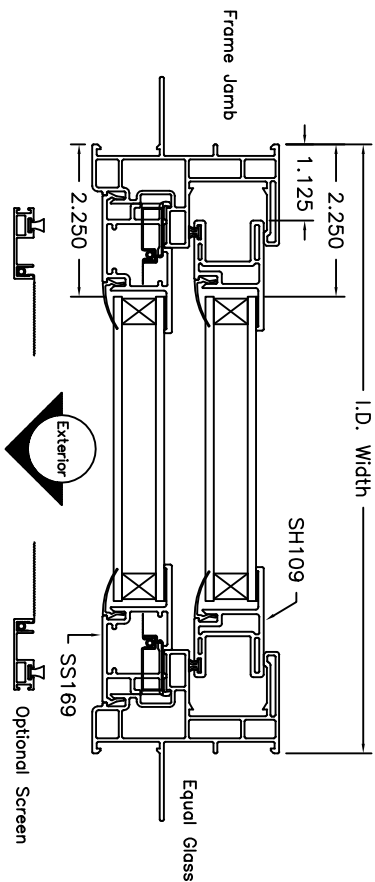
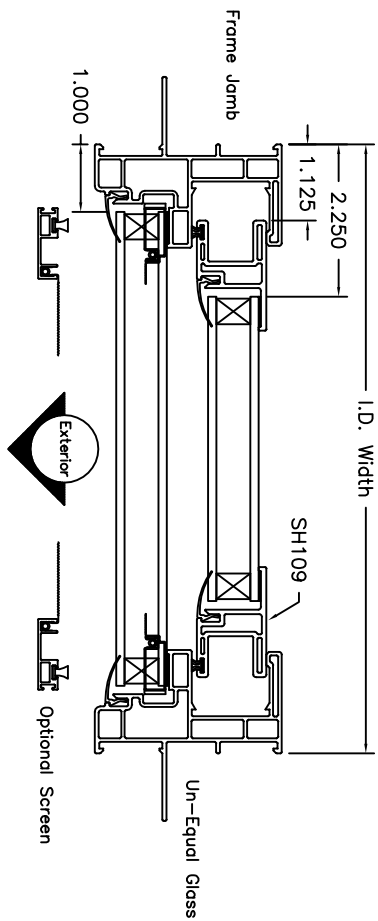
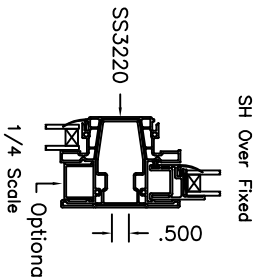
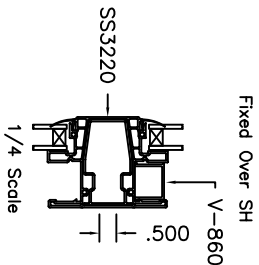
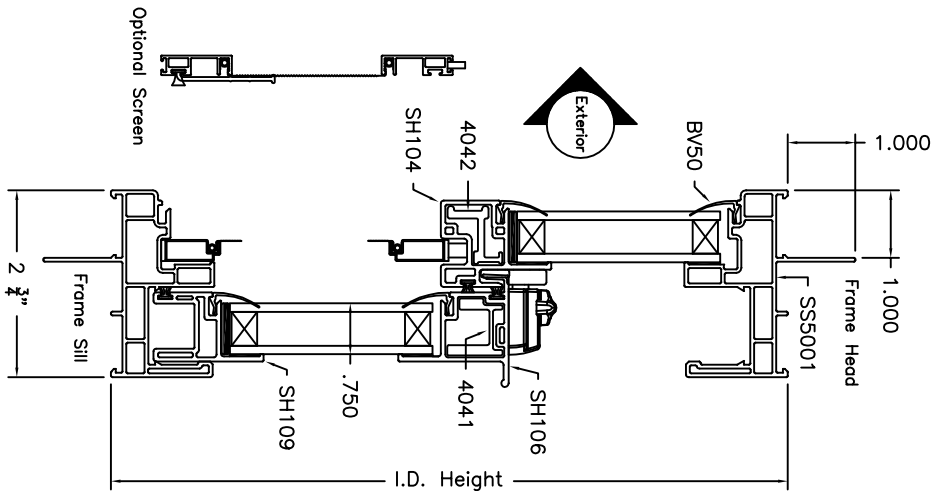
Fixed Portion Track Filler
Secondary Supplier Veka
Veka Shape # AC02



Steel Rebars
Auto Lock



RAFH106H
RFSH104H
1/4 Scale



MiWID MI WINDOWS AND DOORS
600 WEST MARKET STREET GAITHERSBURG, PA 17320-0270

The information, design or data shown on this document or electronic media is the exclusive property of Mi Windows and Doors, LLC. It is considered confidential and proprietary and is made available for limited use only. Its use or reproduction without the expressed written consent of Mi Windows and Doors, LLC., is prohibited.

DESCRIPTION: Cross Sectional Drawing
Fin, 1" Sataback

PRODUCT: 5500 SH DATE: 08/04/16

SCALE: Half

PART NUMBER:

DFTM: T.C. DRAWING NUMBER: CS-000460

B	122A-16	Release revised M-4042 rebar to production	08/17/16	T.C.	WEIGHT:
	ECN #	REVISIONS	DATE	BY	PERMETER:

MATERIAL:
FINISH:
ARCC:

UNSPECIFIED WALL:
BREAK ALL CORNERS R.015, UNLESS OTHERWISE SPECIFIED