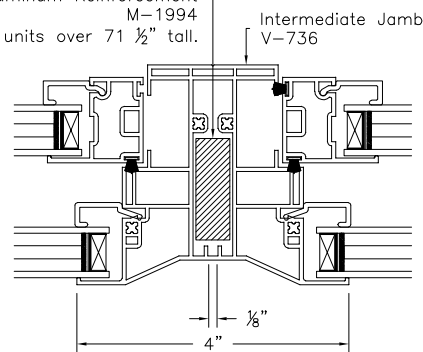

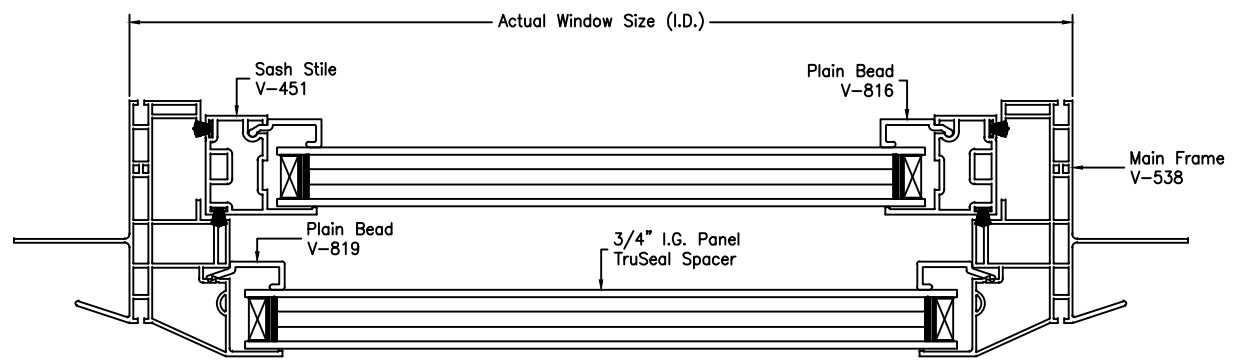
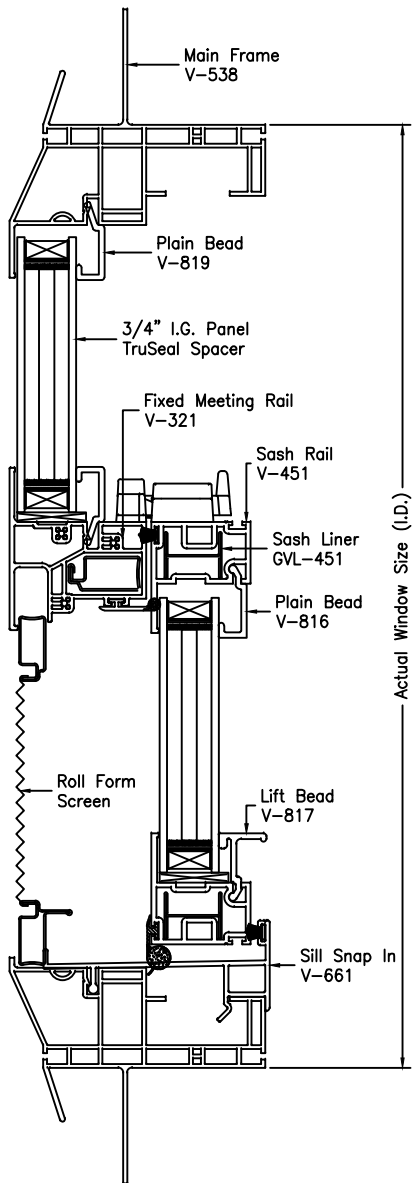


Wood Reinforcement
WD000004
*Used in units 59 3/4"-71 1/2" tall.
Aluminum Reinforcement
M-1994
**Used in units over 71 1/2" tall.



| | | | | | | | |
|-----|-------|------------|---|--|--|---------------------------|--|
| | | MATERIAL: | |  <p>650 WEST MARKET STREET GRATZ, PA 17030-0370</p> <p>The information, design or data shown on this document or electronic media is the exclusive property of MI Windows and Doors, LLC. It is considered confidential and proprietary and is made available for limited use only. Its use or reproduction without the expressed written consent of MI Windows and Doors, LLC., is prohibited.</p> | DESCRIPTION: 3500 Series Single Hung with Mounting Fin Mainframe | | |
| | | FINISH: | UNSPECIFIED WALL: | | PRODUCT: 3500SH | DATE: 12/28/15 | |
| | | AREA: | BREAK ALL CORNERS R.015, UNLESS OTHERWISE SPECIFIED | | SCALE: 1:2 | PART NUMBER: | |
| | | WEIGHT: | | | DFTM: BRS | DRAWING NUMBER: CS-000259 | |
| | | PERIMETER: | | | | | |
| LTR | ECN # | REVISIONS | DATE | BY | | | |



The information, design or data shown on this document or electronic media is the exclusive property of MI WINDOWS AND DOORS, INC. It is considered confidential and proprietary and is made available for limited use only. Its use or reproduction without the expressed written consent of MI WINDOWS AND DOORS, INC., is prohibited.

| LTR. | DESCRIPTION | BY | DATE |
|------|-------------|----|------|
| | | | |
| | | | |
| | | | |
| | | | |
| | | | |

MI
WINDOWS AND DOORS

MI WINDOWS AND DOORS
650 WEST MARKET STREET • GRATZ, PA • 17030-0370

TITLE
3500 Series Product Drawing
Single Hung w/J-Channel Frame

| | | | | |
|-----------|---------------|------------|-------------------------|--------|
| DFTM. BRS | DATE 8/6/2010 | SCALE ~~~~ | DWG/PART NO. 3500SH-AS1 | REV. - |
|-----------|---------------|------------|-------------------------|--------|