

TOLERANCES UNLESS OTHERWISE SPECIFIED

UNSPECIFIED WALL:

AREA:

WEIGHT:

PERIMETER:

ANGLES: $\pm .062$, $\pm .001$, $\pm .003$

MIND MI WINDOWS AND DOORS
400 WEST MARKET STREET, SUITE 201, PHILADELPHIA, PA 19106-3278

The information, design or data shown on this document or electronic media is the exclusive property of MI Windows and Doors, LLC. It is considered confidential and proprietary and is made available for limited use only. Its use or reproduction without the expressed written consent of MI Windows and Doors, Inc., is prohibited.

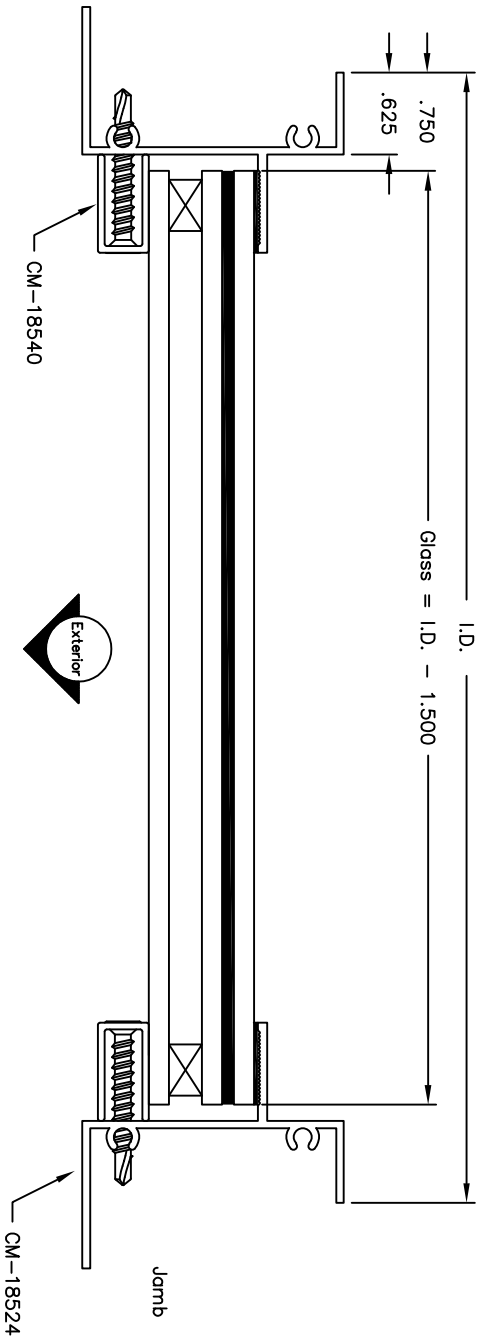
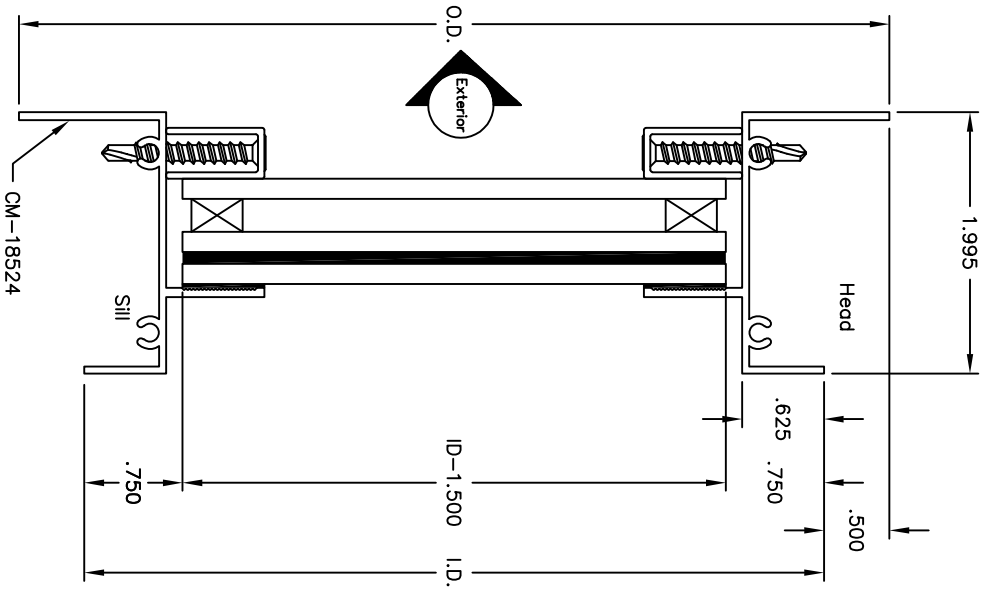
DESCRIPTION: Cross Sectional, Flange
IG, Non-Ins pocket

PRODUCT: Series 185 Fixed SCALE: 1 : 1 SHEET: 1 of 1

DATE: 12/23/04 MATERIAL: PART NUMBER: HARDNESS:

DRAWN: Tony Collins DRAWING NUMBER: CS-000004

B	068A-17	Serrations added to glazing legs	05/23/17	T.C.	BREAK ALL CORNER R015 UNLESS OTHERWISE SPECIFIED
	ECN #	REVISIONS	DATE	BY	



TOLERANCES UNLESS OTHERWISE SPECIFIED

XX
XXX
ANGLES
+/- .062
+/- .001
+/- .003

UNSPECIFIED WALL:

MIND MI WINDOWS AND DOORS
480 WEST MARKET STREET GAITHERSBURG, MD 20878

The information, design or data shown on this document or electronic media is the exclusive property of MI Windows and Doors, LLC. It is considered confidential and proprietary and is made available for limited use only. Its use or reproduction without the expressed written consent of MI Windows and Doors, Inc., is prohibited.

DESCRIPTION: Cross Sectional, Flange
IG, Impact

PRODUCT: Series 185 Fixed

SCALE: 1 : 1

DATE: 07/17/07

MATERIAL:

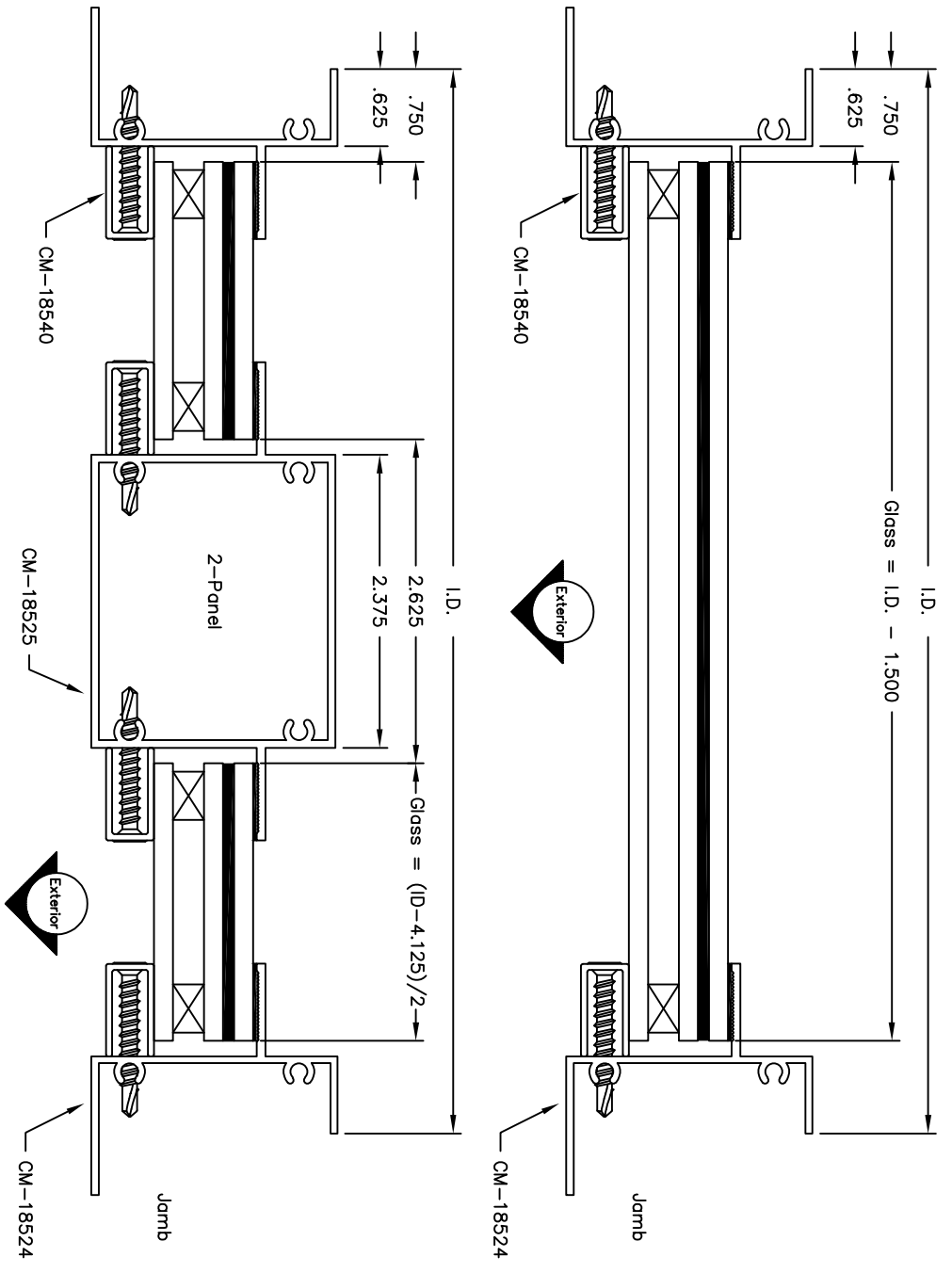
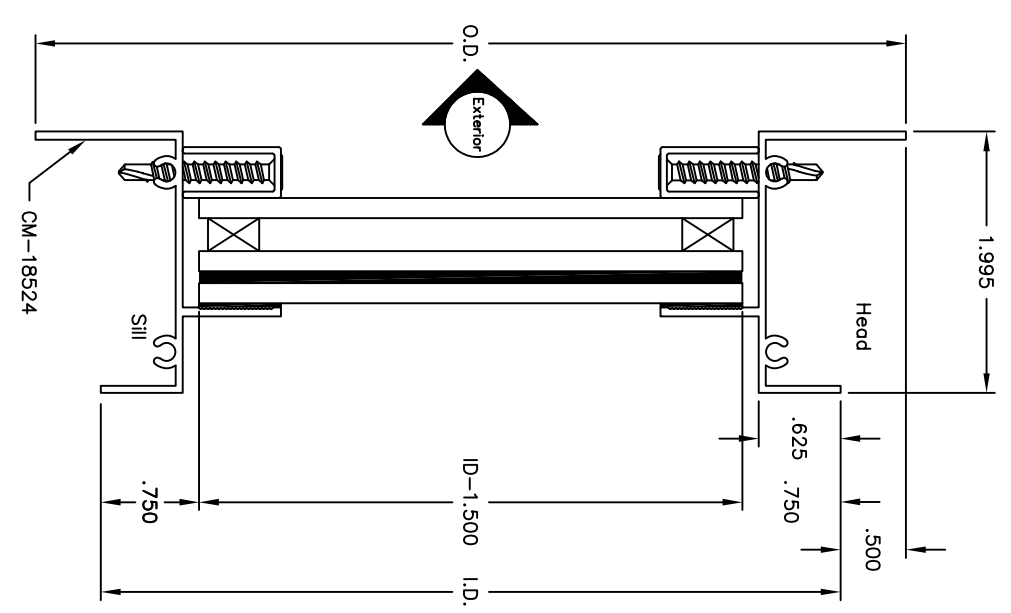
HARDNESS:

DPTH: Stu White

PART NUMBER:

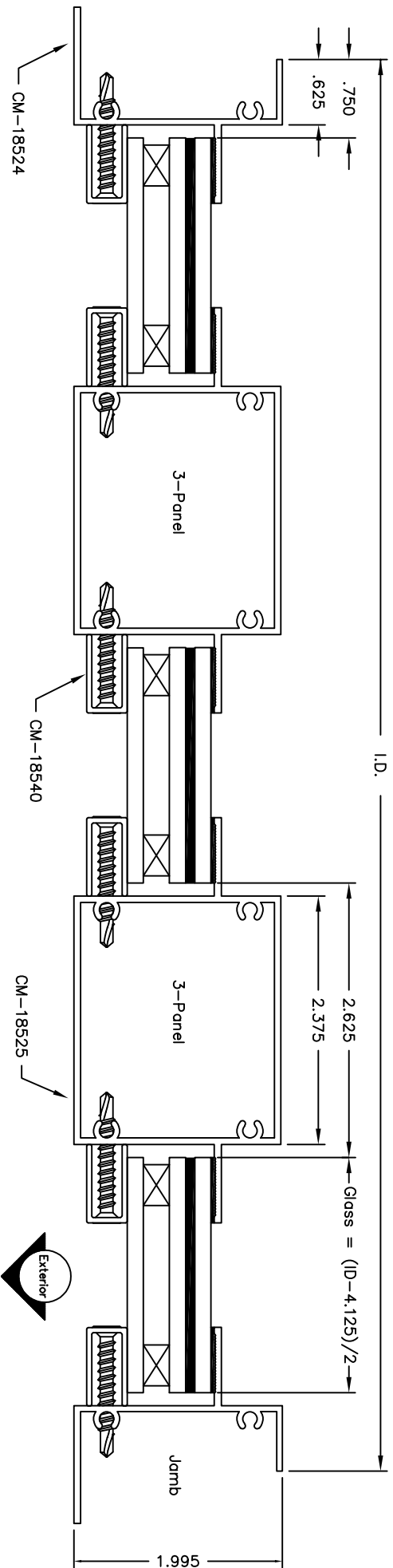
DRAWING NUMBER: CS-000010

B	068A-17	Serrations added to glazing legs	05/23/17	T. C.	BREAK ALL CORNER R015 UNLESS OTHERWISE SPECIFIED	PERIMETER:
LTR	ECN #	REVISIONS	DATE	BY		



TOLERANCES UNLESS OTHERWISE SPECIFIED		UNSPECIFIED WALL:		<p>MIND MI WINDOWS AND DOORS 400 WEST MARKET STREET, SUITE 202, PA. 17004-0270</p> <p>The information, design or data shown on this document or electronic media is the exclusive property of MI Windows and Doors, LLC. It is considered confidential and proprietary and its reuse or reproduction without the expressed written consent of MI Windows and Doors, Inc., is prohibited.</p>	DESCRIPTION: Cross Sectional, Flange CHS Twin, IG, Impact	
$\pm .062$ $\pm .001$ $\pm .003$ ANGLES $\pm .001$ $\pm .003$		AREA:			PRODUCT: Series 185 Fixed	
WEIGHT:		PERIMETER:			DATE: 07/17/07	
DATE: 05/23/17		BY: T.C.			MATERIAL: STU White	
REVISIONS		UNLESS OTHERWISE SPECIFIED		SCALE: 1 : 1		
068A-17		Serrations added to glazing legs		SHT: 1 of 1		
ECN #		DATE		DRAWING NUMBER: CS-000013		

B		068A-17		Serrations added to glazing legs		DATE: 05/23/17		BY: T.C.		UNLESS OTHERWISE SPECIFIED		PERIMETER:		WEIGHT:		AREA:		UNSPECIFIED WALL:		TOLERANCES UNLESS OTHERWISE SPECIFIED	
LTR		ECN #		REVISIONS		DATE		BY		UNLESS OTHERWISE SPECIFIED		PERIMETER:		WEIGHT:		AREA:		UNSPECIFIED WALL:		TOLERANCES UNLESS OTHERWISE SPECIFIED	



		TOLERANCES UNLESS OTHERWISE SPECIFIED		UNSPECIFIED WALL:		MIND MI WINDOWS AND DOORS 400 WEST MARKET STREET GAITHERSBURG, MD 20878-3070		DESCRIPTION: Horizontal Section, Flange CHS Triple, Ig, Impact	
		$\begin{matrix} \text{XX} & +/-.062 \\ \text{XXX} & +/-.0001 \\ \text{ANGLES} & +/-.0-3 \end{matrix}$		AREA:		The information, design or data shown on this document or electronic media is the exclusive property of MI Windows and Doors, LLC. It is considered confidential and proprietary and is made available for limited use only. Its use or reproduction without the expressed written consent of MI Windows and Doors, Inc., is prohibited.		PRODUCT: Series 185 Fixed	
		WEIGHT:		PERIMETER:				DATE: 07/17/07	
								MATERIAL:	
								DPTH: Stu White	
								PART NUMBER:	
								DRAWING NUMBER: CS-000012	
B		068A-17		Serrations added to glazing legs		05/23/17		T. C.	
LTR		ECN #		REVISIONS		DATE		BY	