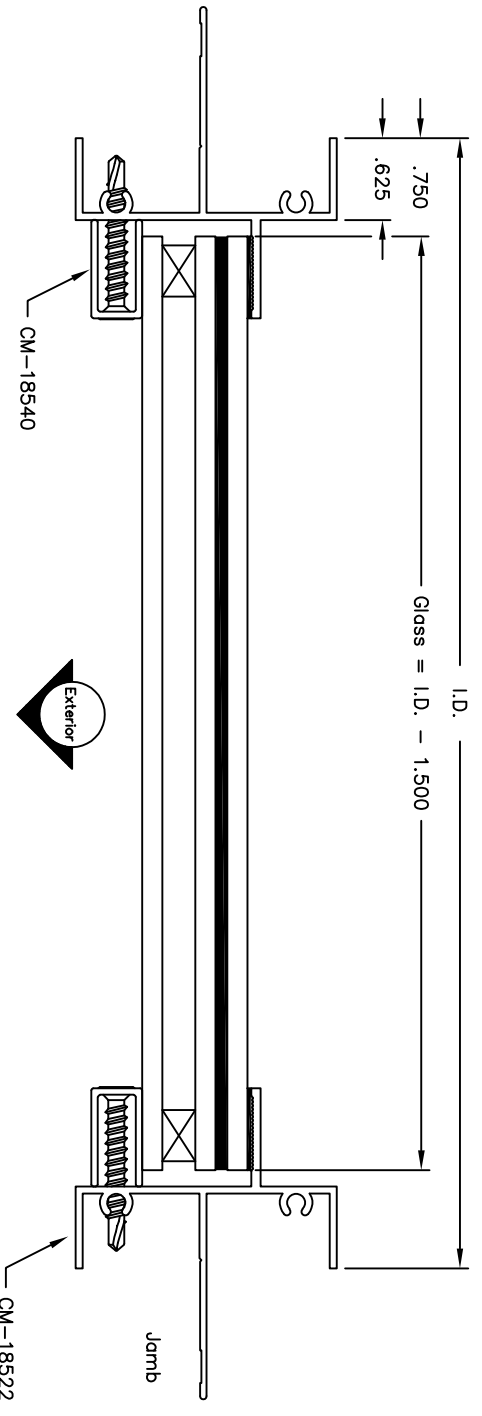
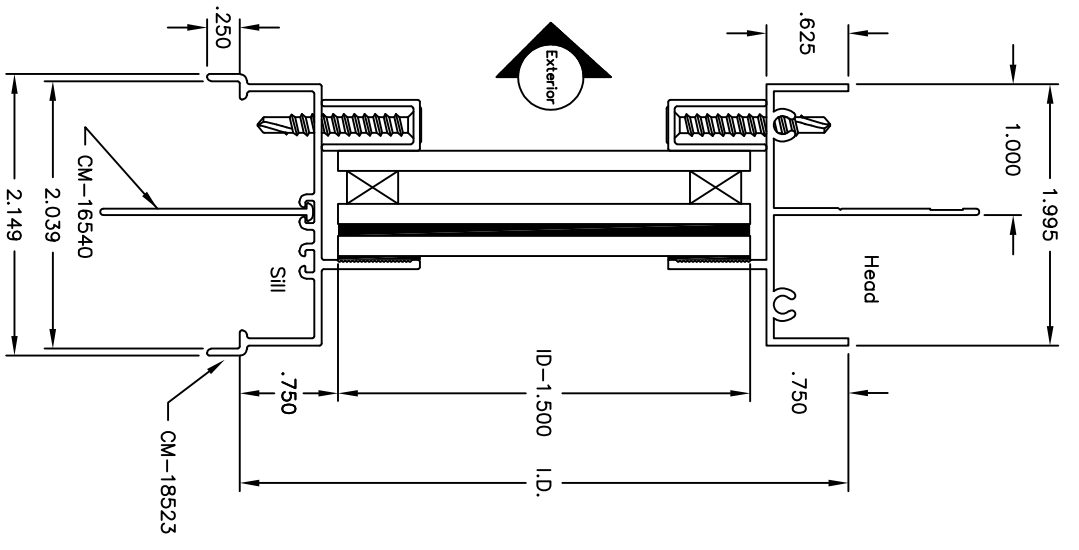


TOLERANCES UNLESS OTHERWISE SPECIFIED		UNSPECIFIED WALL:		MIND MI WINDOWS AND DOORS 480 WEST MARKET STREET, SUITE 202, PA. 17004-0278	DESCRIPTION: Cross Sectional, 1" Fin Setback, Non-Stacking Sill IG, Non-Impact	
XX XXXX +/-.062 +/-.001 +/-.003	AREA:	WEIGHT:	PERIMETER:		PRODUCT: Series 185 Fixed	SCALE: 1 : 1
DATE: 05/23/17		BY: T.C. BREW		The information, design or data shown on this document or electronic media is the exclusive property of MI Windows and Doors, LLC. It is considered confidential and proprietary and is made available for limited use only. Its use or reproduction without the expressed written consent of MI Windows and Doors, Inc., is prohibited.		DRAWING NUMBER: CS-000003
REVISIONS		DATE		DATE: 12/23/04		MATERIAL:
B 068A-17		Serrations added to glazing legs		DFTM: Tony Collins		PART NUMBER:
LTR		ECN #				



TOLERANCES UNLESS OTHERWISE SPECIFIED

XX
XXX
ANGLS
+/- .062
+/- .001
+/- .003

UNSPECIFIED WALL:
AREA:
WEIGHT:
PERIMETER:

MIND MI WINDOWS AND DOORS
400 WEST MARKET STREET, SUITE 202, PA. 17004-0202

The information, design or data shown on this document or electronic media is the exclusive property of MI Windows and Doors, LLC. It is considered confidential and proprietary and is made available for limited use only. Its use or reproduction without the expressed written consent of MI Windows and Doors, Inc., is prohibited.

DESCRIPTION: Cross Sectional, 1" Fin Setback, Stacking Sill IG, Impact

PRODUCT: Series 185 Fixed
DATE: 07/17/07
MATERIAL:
SCALE: 1 : 1
SHT: 1 of 1

DFTK: Stu White
PART NUMBER:
DRAWING NUMBER: CS-000006

C	068A-17	Serrations added to glazing legs	05/23/17	T.C.	
B	003C-15	Initial Release	01/29/15	T.C.	
	ECN #	REVISIONS	DATE	BY	

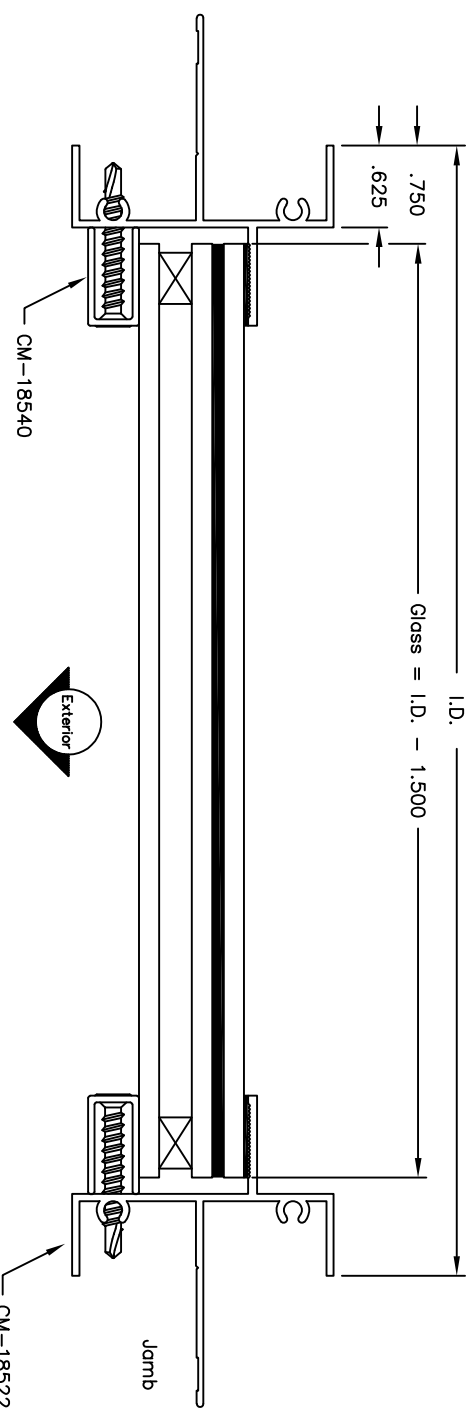
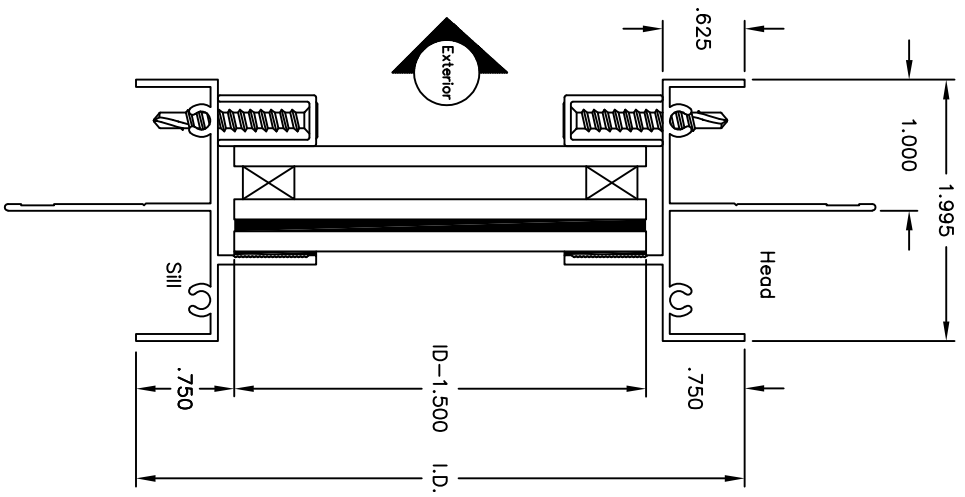
UNLESS OTHERWISE SPECIFIED

PERIMETER:

MI WINDOWS AND DOORS

DESCRIPTION: Cross Sectional, 1" Fin Setback, Stacking Sill IG, Impact

SCALE: 1 : 1
SHT: 1 of 1



TOLERANCES UNLESS OTHERWISE SPECIFIED

XX
XXX
ANGLES
+/- .062
+/- .001
+/- .003

UNSPECIFIED WALL:
AREA:
WEIGHT:
PERIMETER:

MIND MI WINDOWS AND DOORS
400 WEST MARKET STREET, SUITE 202, PA. 17004-0202

The information, design or data shown on this document or electronic media is the exclusive property of MI Windows and Doors, LLC. It is considered confidential and proprietary and is made available for limited use only. Its use or reproduction without the expressed written consent of MI Windows and Doors, Inc., is prohibited.

DESCRIPTION: Cross Sectional, 1" Fin Setback, Non-stacking Sill IG, Impact

PRODUCT: Series 185 Fixed SCALE: 1 : 1 SHT: 1 of 1

DATE: 07/17/07 MATERIAL: PART NUMBER:

DPTH: Stu White HARDNESS:

DRAWING NUMBER: CS-000008

B	068A-17	Serrations added to glazing legs	05/23/17	T.C.	UNLESS OTHERWISE SPECIFIED	PERIMETER:
LTR	ECN #	REVISIONS	DATE	BY	UNLESS OTHERWISE SPECIFIED	