
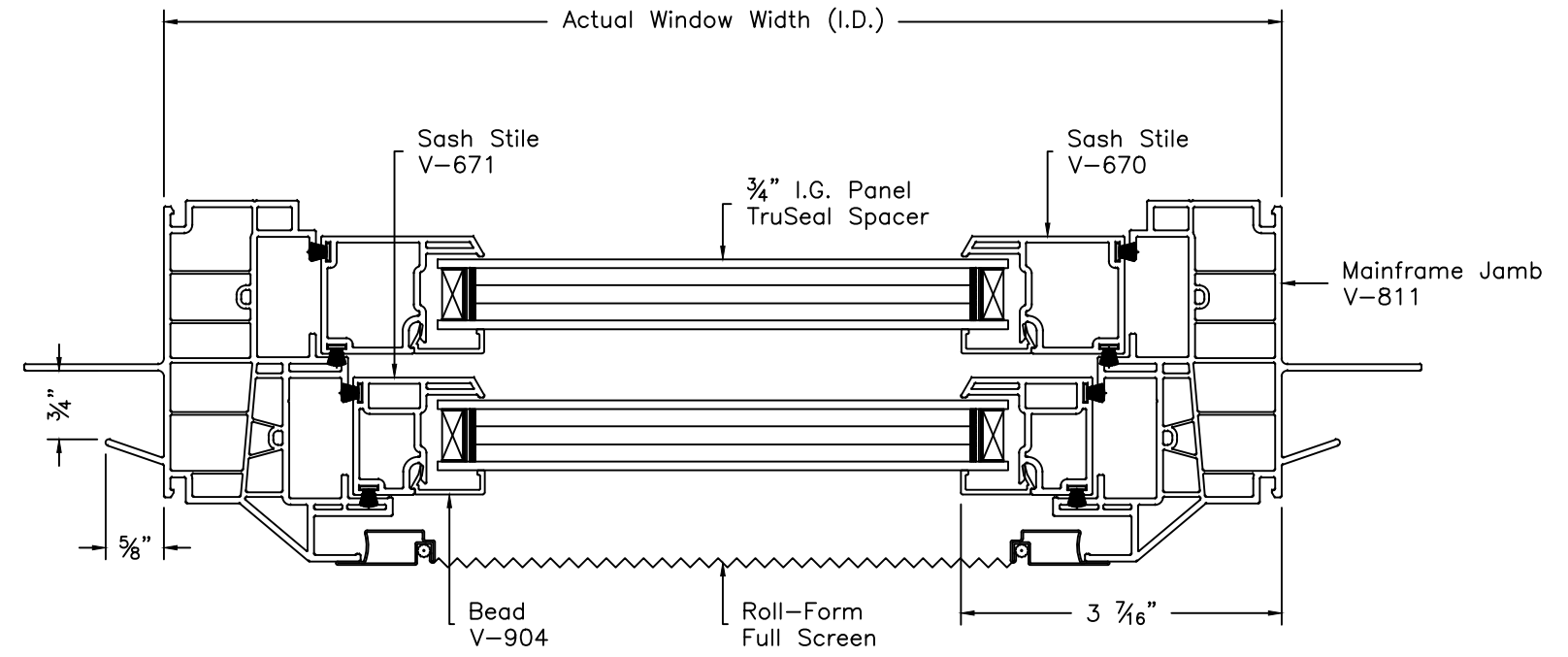
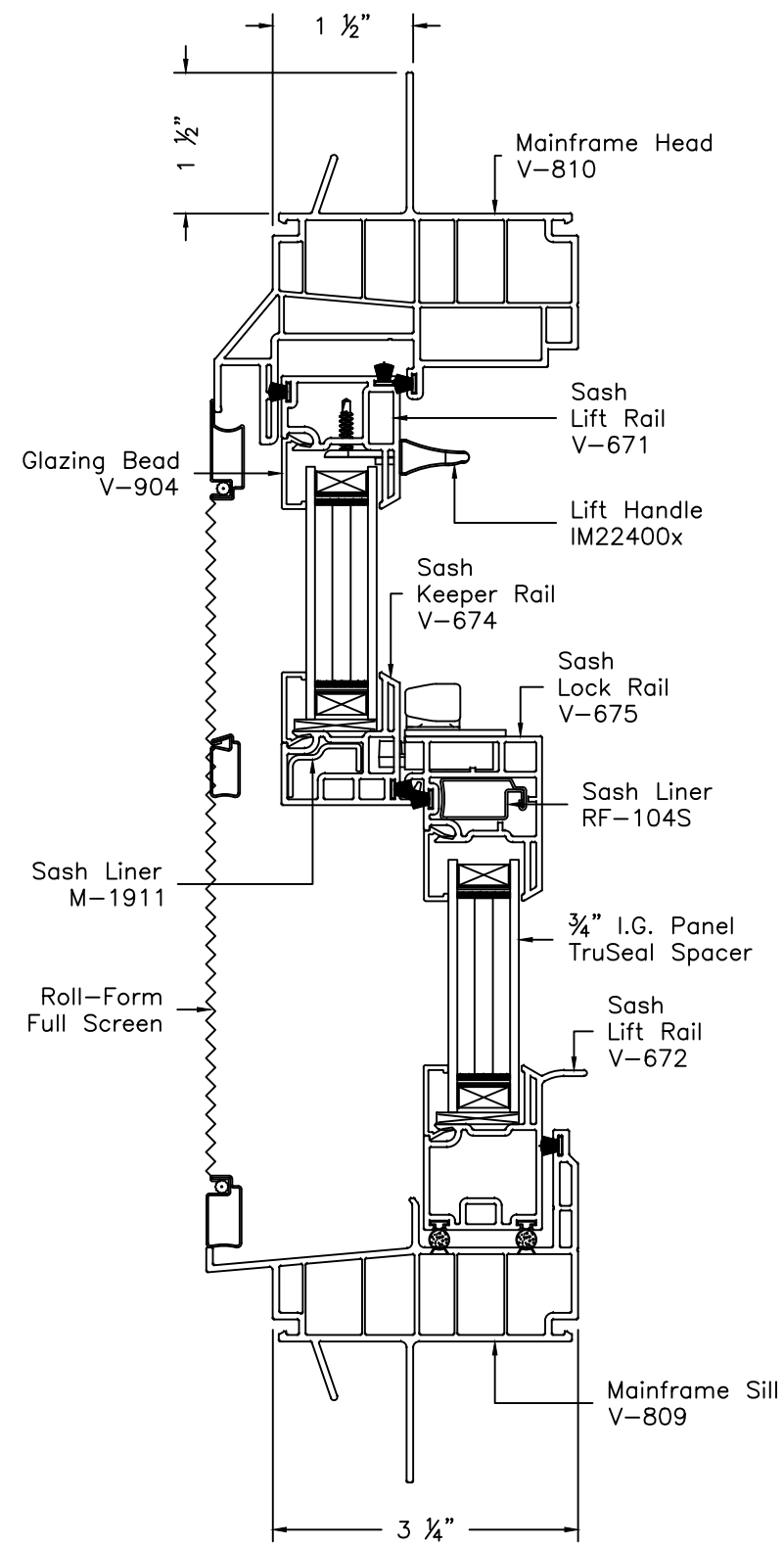



|                      |       |           |      |            |   |  |  |  |
|----------------------|-------|-----------|------|------------|---|--|--|--|
|                      |       |           |      | MATERIAL:  |   |  <b>MI WINDOWS AND DOORS, LLC.</b><br>650 WEST MARKET STREET GRATZ, PA 17030-0370 | DESCRIPTION: 1556 Series Double Hung with Mounting Fin Mainframe |  |
|                      |       |           |      | FINISH:    | UNSPECIFIED WALL:                                   |  | PRODUCT: 1556  |  |
|                      |       |           |      | AREA:      | BREAK ALL CORNERS R.015, UNLESS OTHERWISE SPECIFIED |  | DATE: 04/22/16   |  |
|                      |       |           |      | WEIGHT:    |   |  | SCALE: 1:2   |  |
|                      |       |           |      | PERIMETER: |   |  | PART NUMBER:   |  |
| Updated title block. |       |           |      | 10/19/16   | BRS   | DRAWING NUMBER: CS-000382  |  |  |
| LTR                  | ECN # | REVISIONS | DATE | BY         | DFTM: BRS   |  |  |  |

The information, design or data shown on this document or electronic media is the exclusive property of MI Windows and Doors, LLC. It is considered confidential and proprietary and is made available for limited use only. Its use or reproduction without the expressed written consent of MI Windows and Doors, LLC., is prohibited.



|                      |       |           |      |   |            |  |  |  |
|----------------------|-------|-----------|------|---|------------|--|--|--|
|                      |       |           |      | <b>MATERIAL:</b><br>FINISH: UNSPECIFIED WALL:<br>AREA:<br>WEIGHT:<br>PERIMETER: |            |  <b>MI WINDOWS AND DOORS, LLC.</b><br>650 WEST MARKET STREET GRATZ, PA 17030-0370 | <b>DESCRIPTION:</b> 1556 Series Double Hung with J-Channel Mainframe   |  |
|                      |       |           |      | BREAK ALL CORNERS R.015, UNLESS OTHERWISE SPECIFIED                             |            |  | The information, design or data shown on this document or electronic media is the exclusive property of MI Windows and Doors, LLC. It is considered confidential and proprietary and is made available for limited use only. Its use or reproduction without the expressed written consent of MI Windows and Doors, LLC., is prohibited. |  |
| Updated title block. |       |           |      | 10/19/16  | BRS        | PRODUCT: 1556  | DATE: 04/22/16   |  |
| LTR                  | ECN # | REVISIONS | DATE | BY  | PERIMETER: | SCALE: 1:2   | PART NUMBER:   |  |
|                      |       |           |      |   |            | DFTM: BRS  | DRAWING NUMBER: CS-000381  |  |