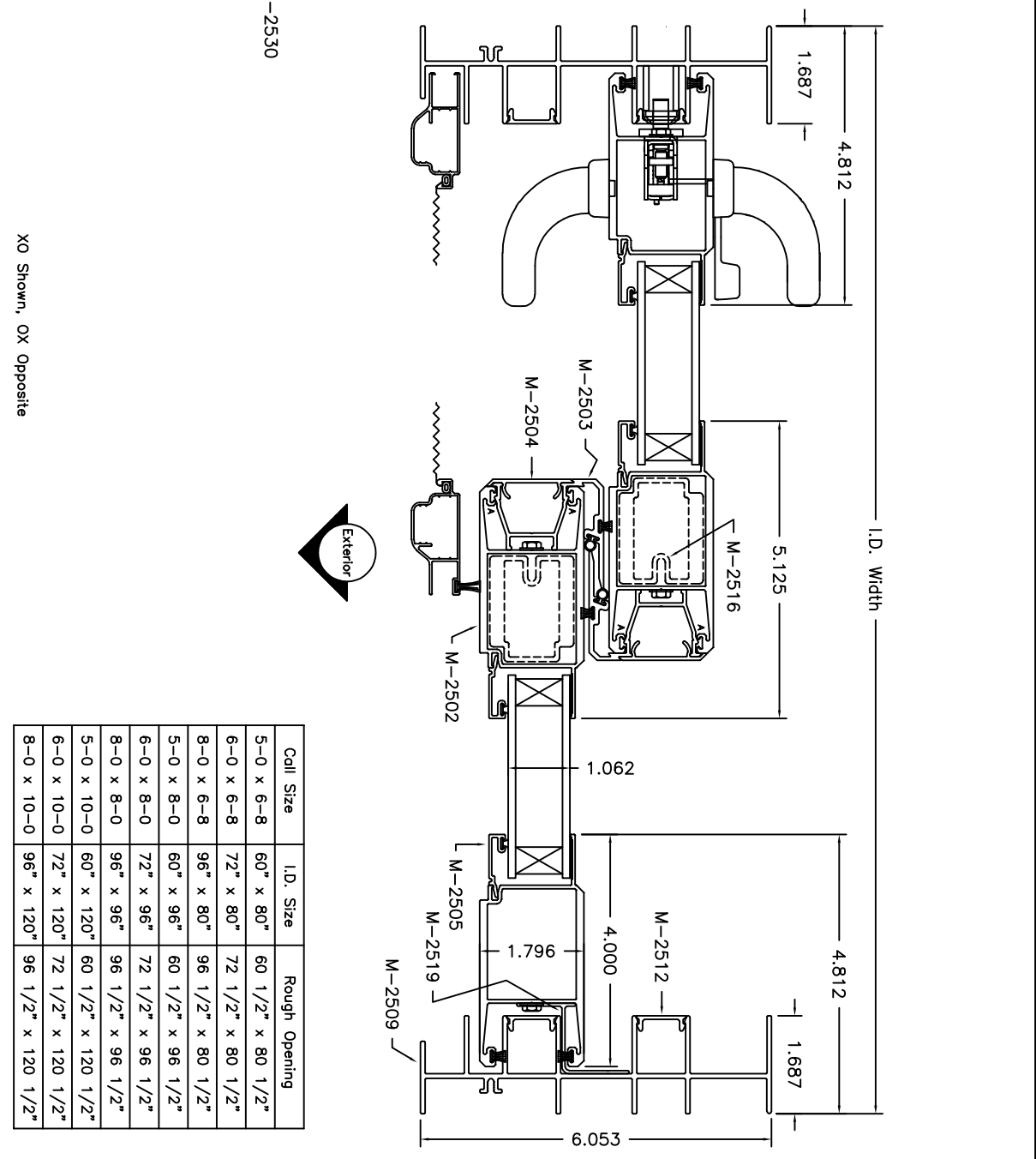
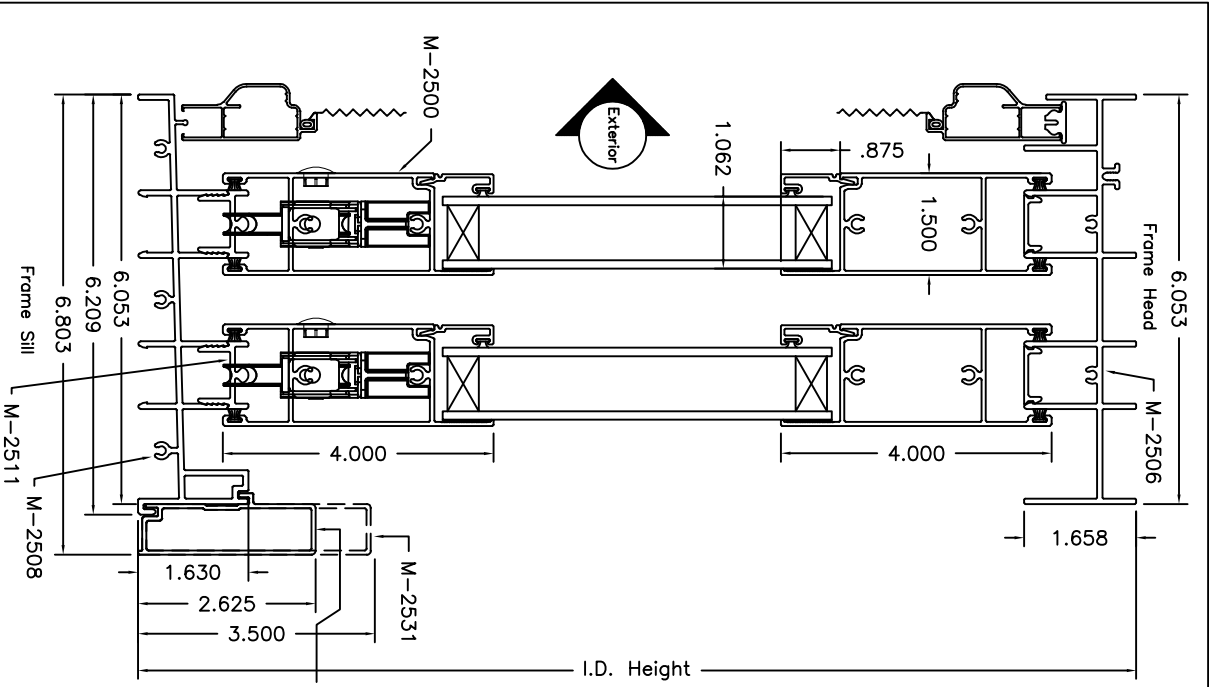


XO Shown, OX Opposite

Call Size	I.D. Size	Rough Opening
5-0 x 6-8	60" x 80"	60 1/2" x 80 1/2"
6-0 x 6-8	72" x 80"	72 1/2" x 80 1/2"
8-0 x 6-8	96" x 80"	96 1/2" x 80 1/2"
5-0 x 8-0	60" x 96"	60 1/2" x 96 1/2"
6-0 x 8-0	72" x 96"	72 1/2" x 96 1/2"
8-0 x 8-0	96" x 96"	96 1/2" x 96 1/2"
5-0 x 10-0	60" x 120"	60 1/2" x 120 1/2"
6-0 x 10-0	72" x 120"	72 1/2" x 120 1/2"
8-0 x 10-0	96" x 120"	96 1/2" x 120 1/2"

MATERIAL:		UNSPECIFIED WALL:		<b>MIND</b> MI WINDOWS AND DOORS 600 WEST MARKET STREET GAITHERSBURG, MD 20878-3370		DESCRIPTION: Cross Sectional Drawing, IG Impact	
B	122A-17	Added 10-0 Height	10/10/17	T.C.	AREA:	2-Track XO, OX	
A	110C-16	Removed W-strip from Panel nterlock stile	08/08/16	T.C.	WEIGHT:	PRODUCT: Series 120 S.G.D.	
-	110B-16	Initial release of cross sectional drawing	07/22/16	T.C.	PERIMETER:	SCALE: Half	
LTR	ECN #	REVISIONS	DATE	BY	DATE: 06/23/2014		DFTM: T.C.
					DRAWING NUMBER: CS-000093		

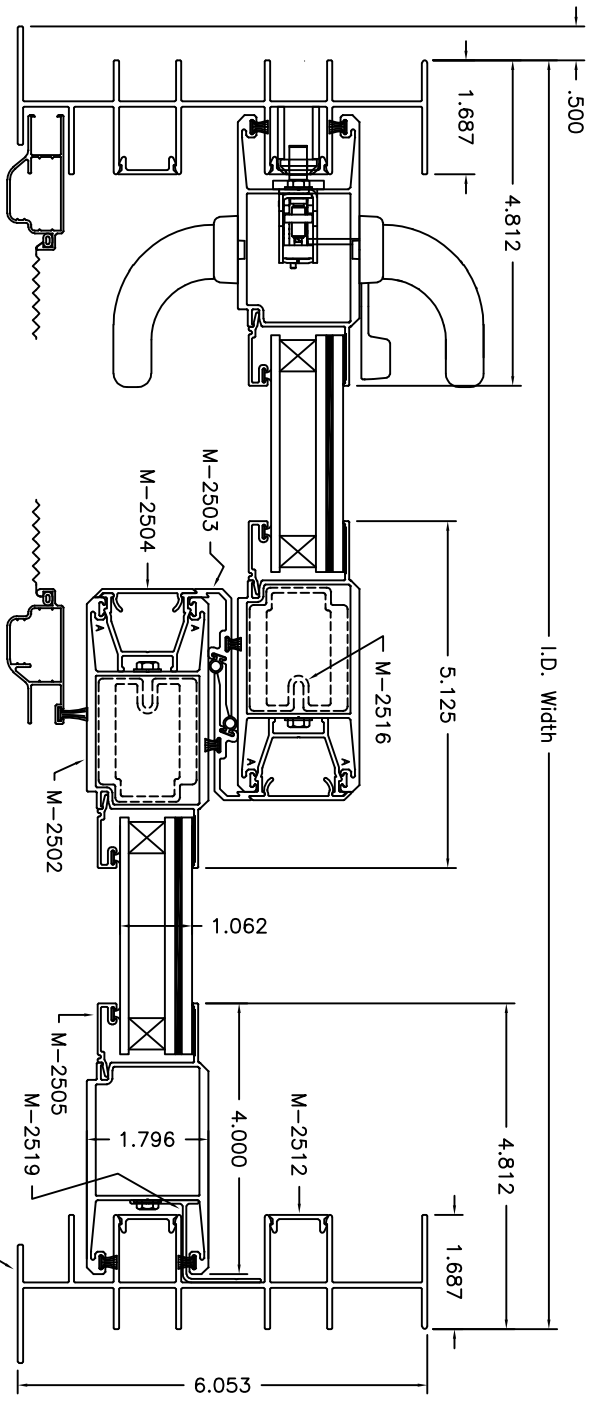
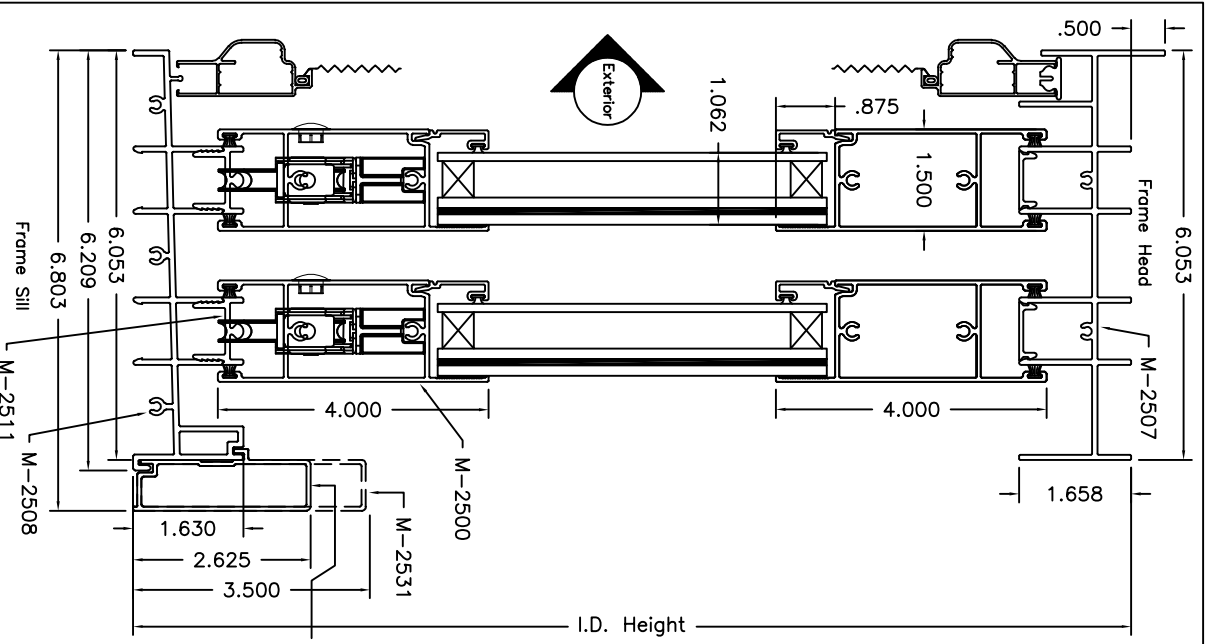
The information, design or data shown on this document or electronic media is the exclusive property of MI Windows and Doors, LLC. It is considered confidential and proprietary and is made available for limited use only. Its use or reproduction without the expressed written consent of MI Windows and Doors, LLC., is prohibited.



XO Shown, OX Opposite

Call Size	I.D. Size	Rough Opening
5-0 x 6-8	60" x 80"	60 1/2" x 80 1/2"
6-0 x 6-8	72" x 80"	72 1/2" x 80 1/2"
8-0 x 6-8	96" x 80"	96 1/2" x 80 1/2"
5-0 x 8-0	60" x 96"	60 1/2" x 96 1/2"
6-0 x 8-0	72" x 96"	72 1/2" x 96 1/2"
8-0 x 8-0	96" x 96"	96 1/2" x 96 1/2"
5-0 x 10-0	60" x 120"	60 1/2" x 120 1/2"
6-0 x 10-0	72" x 120"	72 1/2" x 120 1/2"
8-0 x 10-0	96" x 120"	96 1/2" x 120 1/2"

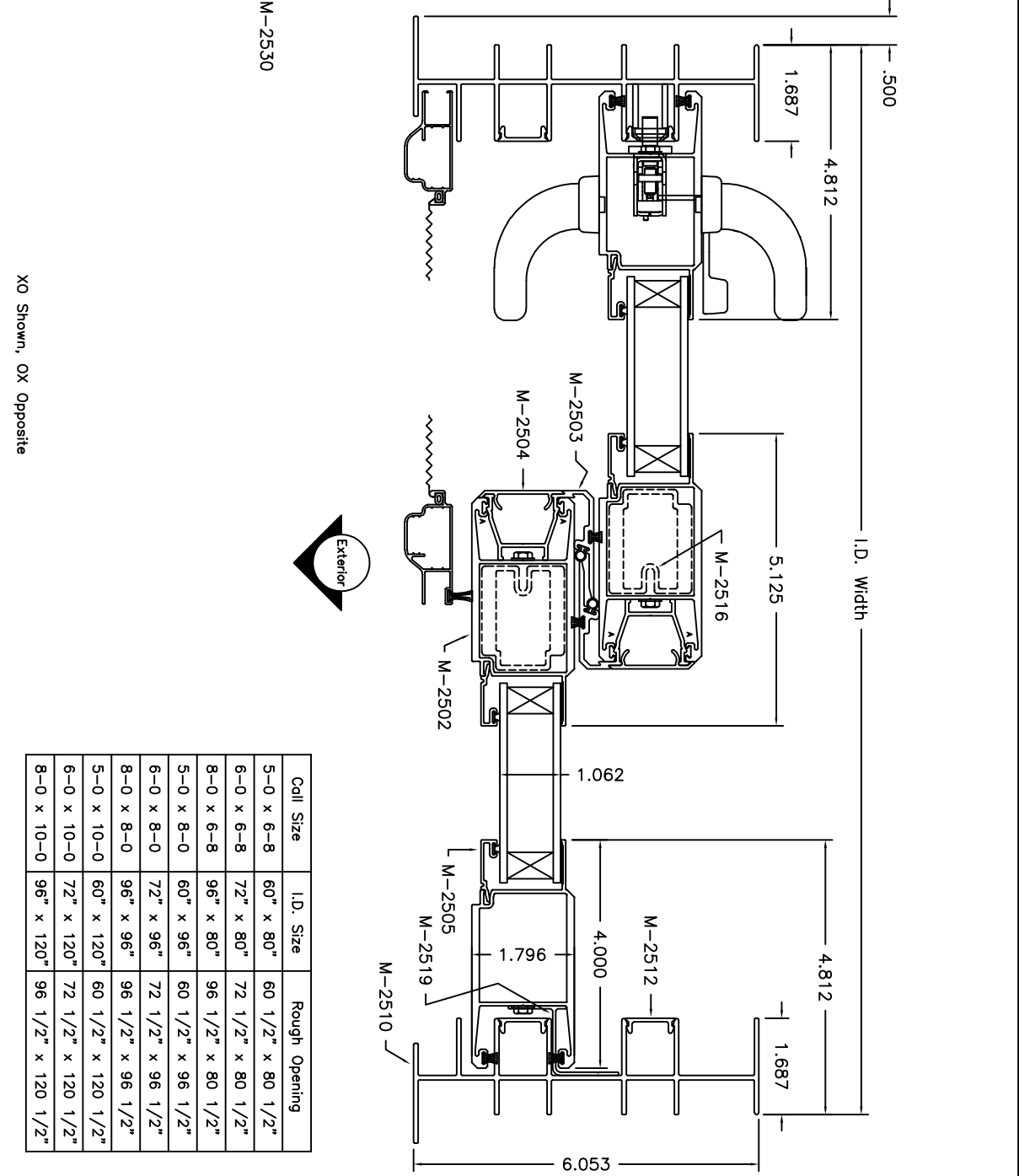
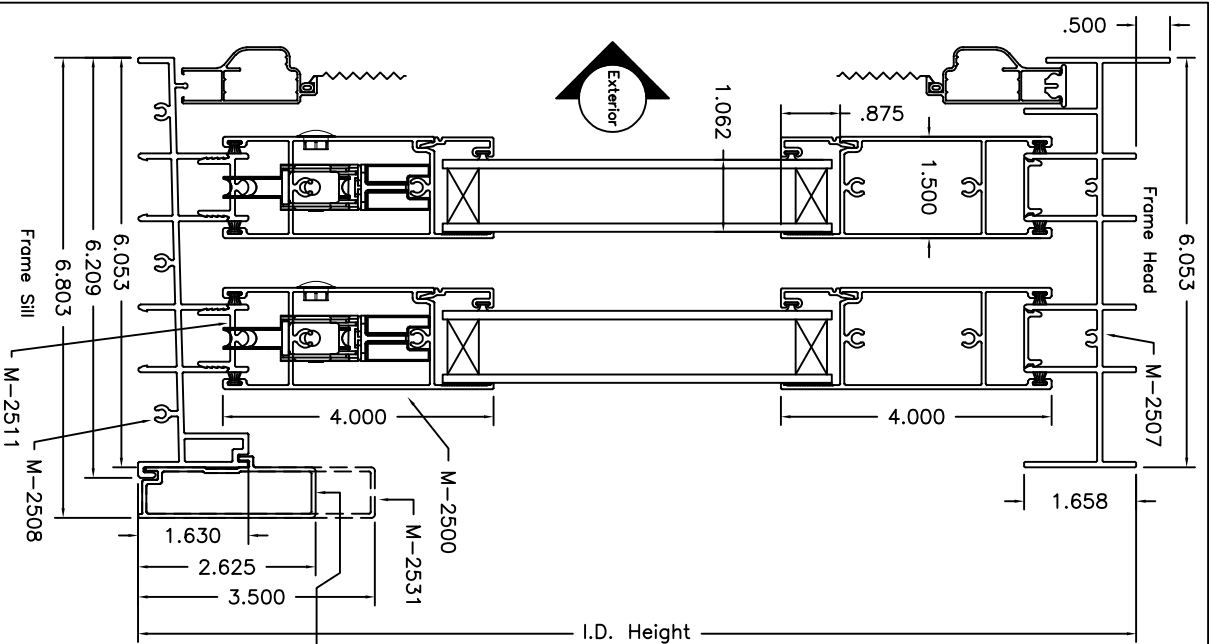
MATERIAL:		UNSPECIFIED WALL:		<p><b>MiWD</b> MI WINDOWS AND DOORS          600 WEST MARKET STREET GAITHERSBURG, MD 20878-1070</p> <p>The information, design or data shown on this document or electronic media is the exclusive property of Mi Windows and Doors, LLC. It is considered confidential and proprietary and is made available for limited use only. Its use or reproduction without the expressed written consent of Mi Windows and Doors, LLC., is prohibited.</p>	
FINISH:		ARECA			
WEIGHT:		BREKAK ALL CORNERS R.015, UNLESS OTHERWISE SPECIFIED			
PERIMETER:					
REVISIONS:		DATE	BY	DESCRIPTION:	
A 110C-16		08/08/16	T.C.	Product: Series 120 S.G.D.	
B 122A-17		10/10/17	T.C.	Scale: Half	
- 110B-16		07/22/16	T.C.	Part Number:	
Initial release of cross sectional drawing				Drawing Number: CS-000097	
ECN #				Date: 07/13/2015	



XO Shown, OX Opposite

Call Size	I.D. Size	Rough Opening
5-0 x 6-8	60" x 80"	60 1/2" x 80 1/2"
6-0 x 6-8	72" x 80"	72 1/2" x 80 1/2"
8-0 x 6-8	96" x 80"	96 1/2" x 80 1/2"
5-0 x 8-0	60" x 96"	60 1/2" x 96 1/2"
6-0 x 8-0	72" x 96"	72 1/2" x 96 1/2"
8-0 x 8-0	96" x 96"	96 1/2" x 96 1/2"
5-0 x 10-0	60" x 120"	60 1/2" x 120 1/2"
6-0 x 10-0	72" x 120"	72 1/2" x 120 1/2"
8-0 x 10-0	96" x 120"	96 1/2" x 120 1/2"

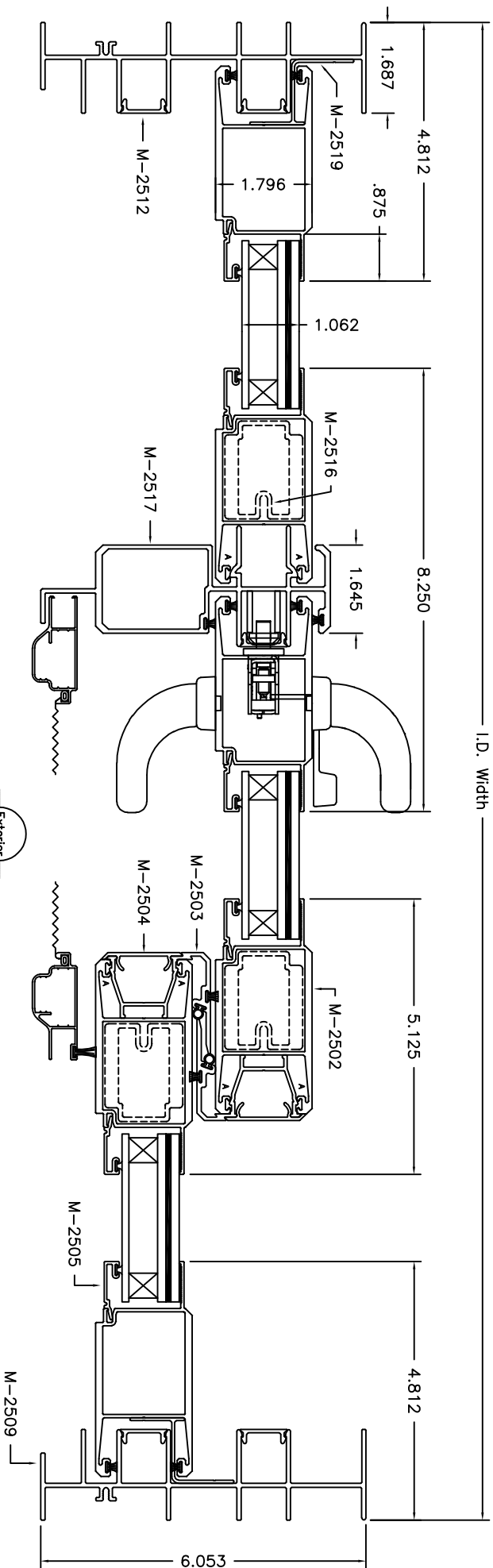
MATERIAL:		UNSPECIFIED WALL:		<p><b>MIND</b> MI WINDOWS AND DOORS          600 WEST MARKET STREET GAITHERSBURG, MD 20878-1070</p> <p>The information, design or data shown on this document or electronic media is the exclusive property of MI Windows and Doors, LLC. It is considered confidential and proprietary and is made available for limited use only. Its use or reproduction without the expressed written consent of MI Windows and Doors, LLC., is prohibited.</p>	
B	122A-17	Added 10-0 Height	10/10/17	T.C.	FINISH:
A	110C-16	Removed w-strip from panel interlock stile	08/08/16	T.C.	AREA:
-	110B-16	Initial release of cross sectional drawing	07/22/16	T.C.	WEIGHT:
LITER		ECN #	DATE	BY	PERMETER:
REVISIONS		<p>DESCRIPTION: Cross Sectional Drawing, IG Impact          2-Track XO, OX - Flange</p> <p>PRODUCT: Series 120 S.G.D.</p> <p>SCALE: Half</p> <p>DATE: 07/14/2015</p> <p>PART NUMBER:</p> <p>DRAWING NUMBER: CS-000099</p>			



XO Shown, OX Opposite

Call Size	I.D. Size	Rough Opening
5-0 x 6-8	60" x 80"	60 1/2" x 80 1/2"
6-0 x 6-8	72" x 80"	72 1/2" x 80 1/2"
8-0 x 6-8	96" x 80"	96 1/2" x 80 1/2"
5-0 x 8-0	60" x 96"	60 1/2" x 96 1/2"
6-0 x 8-0	72" x 96"	72 1/2" x 96 1/2"
8-0 x 8-0	96" x 96"	96 1/2" x 96 1/2"
5-0 x 10-0	60" x 120"	60 1/2" x 120 1/2"
6-0 x 10-0	72" x 120"	72 1/2" x 120 1/2"
8-0 x 10-0	96" x 120"	96 1/2" x 120 1/2"

MATERIAL:		UNSPECIFIED WALL:		<p><b>MIWD</b> MI WINDOWS AND DOORS 400 WEST MARKET STREET GAITHERSBURG, MD 20878</p> <p>The information, design or data shown on this document or electronic media is the exclusive property of MI Windows and Doors, LLC. It is considered confidential and proprietary and is made available for limited use only. Its use or reproduction without the expressed written consent of MI Windows and Doors, LLC., is prohibited.</p>	
B	122A-17	Added 10-0 Height	10/10/17	T.C.	
A	110C-16	Removed w-strip from panel interlock stile	08/08/16	T.C.	
-	110B-16	Initial release of cross sectional drawing	07/22/16	T.C.	
REVISIONS		DATE	BY	PERMETER:	
LITER		ECN #			
DESCRIPTION: Cross Sectional Drawing, IG Non-Impact		PRODUCT: Series 120 S.G.D.		DATE: 07/14/2015	
2-Track XO, OX - Flange		SCALE: Half		PART NUMBER:	
DFTM: T.C.		DRAWING NUMBER: CS-000100			



O-XO Shown, OX-O Opposite

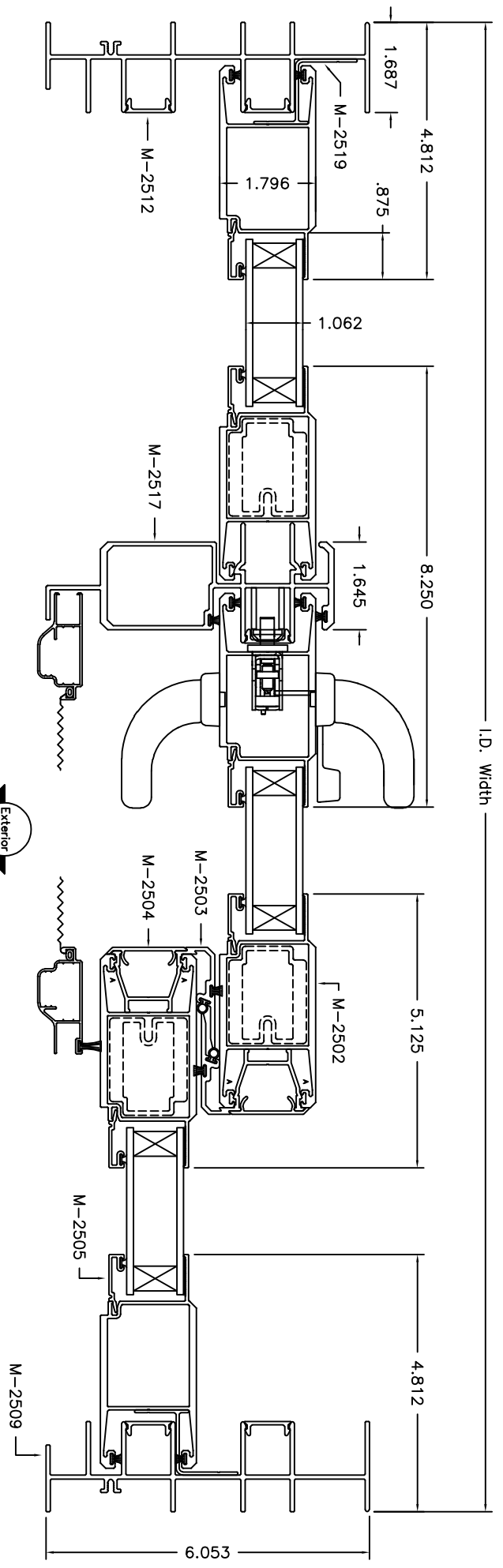
For Vertical Sectional Drawing, see 2-panel drawing.

Call Size	I.D. Size	Rough Opening
7-6 x 6-8	90 7/8" x 80"	91 3/8" x 80 1/2"
9-0 x 6-8	108 7/8" x 80"	109 3/8" x 80 1/2"
12-0 x 6-8	144 7/8" x 80"	145 3/8" x 80 1/2"
7-6 x 8-0	90 7/8" x 96"	91 3/8" x 96 1/2"
9-0 x 8-0	108 7/8" x 96"	109 3/8" x 96 1/2"
12-0 x 8-0	144 7/8" x 96"	145 3/8" x 96 1/2"
7-6 x 10-0	90 7/8" x 120"	91 3/8" x 120 1/2"
9-0 x 10-0	108 7/8" x 120"	109 3/8" x 120 1/2"
12-0 x 10-0	144 7/8" x 120"	145 3/8" x 120 1/2"

MATERIAL:		FINISH:		UNSPECIFIED WALL:		DESCRIPTION: OXO Horizontal Cross Section IG Impact, Finless Frame	
B 122A-17 Added 10-0 Heights, Optional Rebars		10/10/17 T.C.		AREA:		PRODUCT: 120	
A 110C-16 Removed w-strip from panel snap stilts		08/08/16 T.C.		WEIGHT:		SCALE: Half	
- 110B-16 Initial release of cross sectional drawing		07/22/16 T.C.		PERIMETER:		PART NUMBER:	
LITER ECN #		REVISIONS		DATE		DRAWING NUMBER: CS-000102	
		BY				DATE: 07/14/2015	



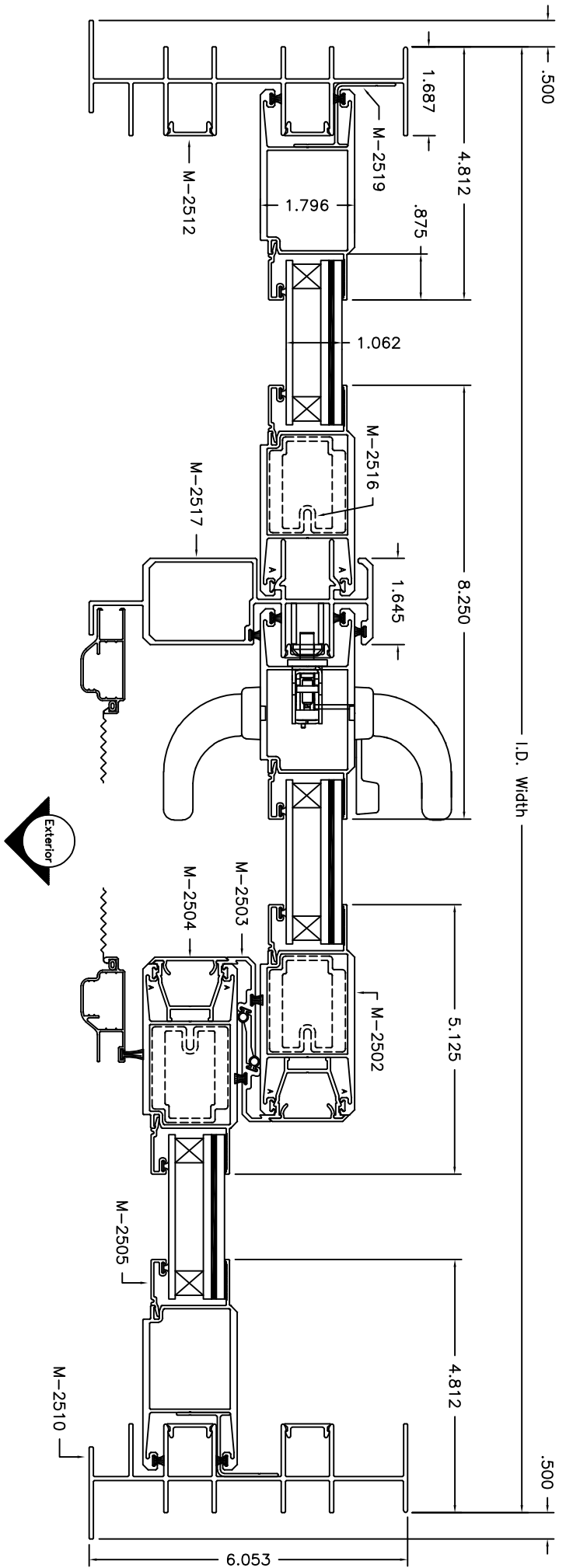
The information, design or data shown on this document or electronic media is the exclusive property of MI Windows and Doors, LLC. It is considered confidential and proprietary and is made available for limited use only. Its use or reproduction without the expressed written consent of MI Windows and Doors, LLC., is prohibited.



For Vertical Sectional Drawing, see 2-panel drawing.

Call Size	I.D. Size	Rough Opening
7-6 x 6-8	90 7/8" x 80"	91 3/8" x 80 1/2"
9-0 x 6-8	108 7/8" x 80"	109 3/8" x 80 1/2"
12-0 x 6-8	144 7/8" x 80"	145 3/8" x 80 1/2"
7-6 x 8-0	90 7/8" x 96"	91 3/8" x 96 1/2"
9-0 x 8-0	108 7/8" x 96"	109 3/8" x 96 1/2"
12-0 x 8-0	144 7/8" x 96"	145 3/8" x 96 1/2"
7-6 x 10-0	90 7/8" x 120"	91 3/8" x 120 1/2"
9-0 x 10-0	108 7/8" x 120"	109 3/8" x 120 1/2"
12-0 x 10-0	144 7/8" x 120"	145 3/8" x 120 1/2"

MATERIAL:		FINISH:		UNSPECIFIED WALL:		 <b>MIWD</b> MI WINDOWS AND DOORS 600 WEST MARKET STREET GAITHERSBURG, MD 20878-1000		The information, design or data shown on this document or electronic media is the exclusive property of MI Windows and Doors, LLC. It is considered confidential and proprietary and is made available for limited use only. Its use or reproduction without the expressed written consent of MI Windows and Doors, LLC., is prohibited.	
B	122A-17	Added 10-0 Height, Optional Rebars	10/10/17	T.C.	AREA:			DESCRIPTION: OXO Horizontal Cross Section IG Non-Impact, Finless Frame	
A	110C-16	Removed w-strip from panel Interlock stile	08/10/16	T.C.	WEIGHT:			PRODUCT: 120	
-	110B-16	Initial release of cross sectional drawing	07/22/16	T.C.	PERIMETER:			SCALE: Half	
LITER		ECN #	REVISIONS	DATE	BY			DATE: 07/14/2015	
								PART NUMBER:	
								DRAWING NUMBER: CS-000103	

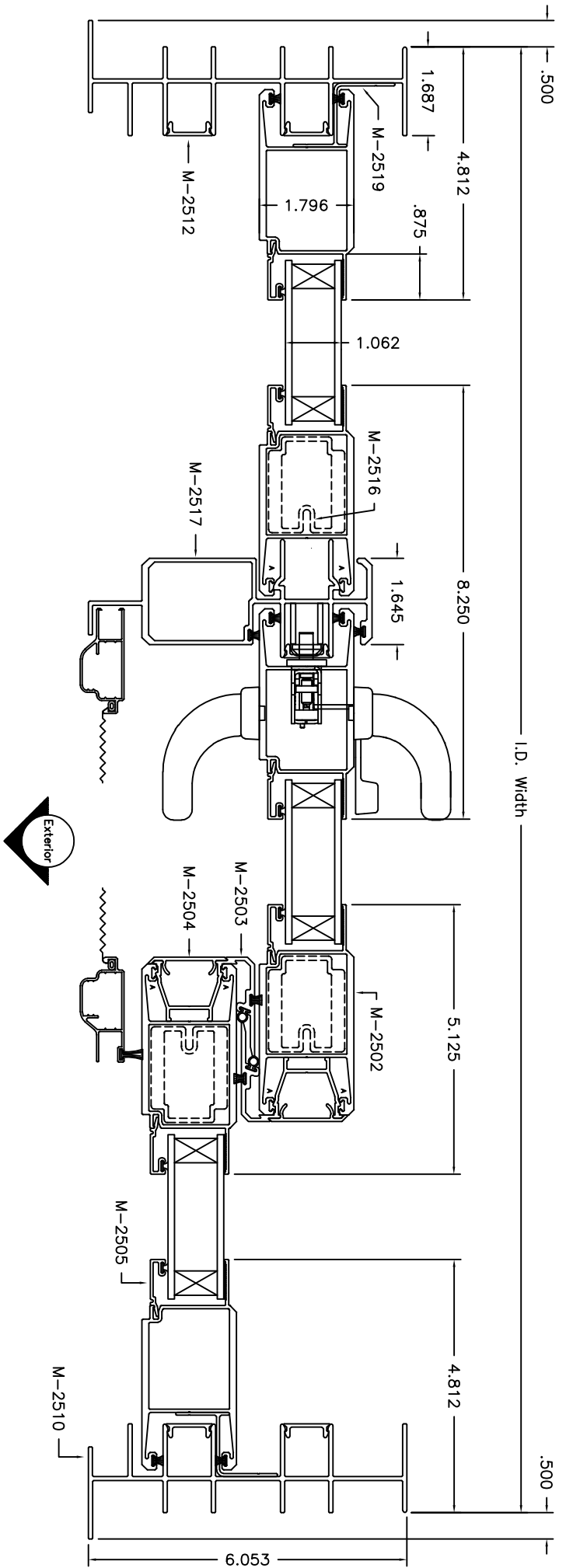


O-XO Shown, OX-O Opposite

Call Size	I.D. Size	Rough Opening
7-6 x 6-8	90 7/8" x 80"	91 3/8" x 80 1/2"
9-0 x 6-8	108 7/8" x 80"	109 3/8" x 80 1/2"
12-0 x 6-8	144 7/8" x 80"	145 3/8" x 80 1/2"
7-6 x 8-0	90 7/8" x 96"	91 3/8" x 96 1/2"
9-0 x 8-0	108 7/8" x 96"	109 3/8" x 96 1/2"
12-0 x 8-0	144 7/8" x 96"	145 3/8" x 96 1/2"
7-6 x 10-0	90 7/8" x 120"	91 3/8" x 120 1/2"
9-0 x 10-0	108 7/8" x 120"	109 3/8" x 120 1/2"
12-0 x 10-0	144 7/8" x 120"	145 3/8" x 120 1/2"

For Vertical Sectional Drawing, see 2-panel drawing.

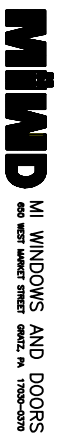
MATERIAL:		FINISH:		UNSPECIFIED WALL:		 <b>MIND</b> MI WINDOWS AND DOORS 600 WEST MARKET STREET GAITHERSBURG, MD 20878-1000		DESCRIPTION: OXO Horizontal Cross Section	
B 122A-17 Added 10-0 Height, Optional Rebars		10/10/17 T.C.		AREA:		BREKAK ALL CORNERS R.015, UNLESS OTHERWISE SPECIFIED		IG Impact, Flange Frame	
A 110C-16 Removed w-strip form snqp panel stiles		08/10/16 T.C.		WEIGHT:		The information, design or data shown on this document or electronic media is the exclusive property of MI Windows and Doors, LLC. It is considered confidential and proprietary and is made available for limited use only. Its use or reproduction without the expressed written consent of MI Windows and Doors, LLC., is prohibited.		PRODUCT: 120	
- 110B-16 Initial release of cross sectional drawing		07/22/16 T.C.		PERIMETER:		DATE: 07/14/2015		SCALE: Half	
LITER ECN #		REVISIONS		DATE		BY		DRAWING NUMBER: CS000105	



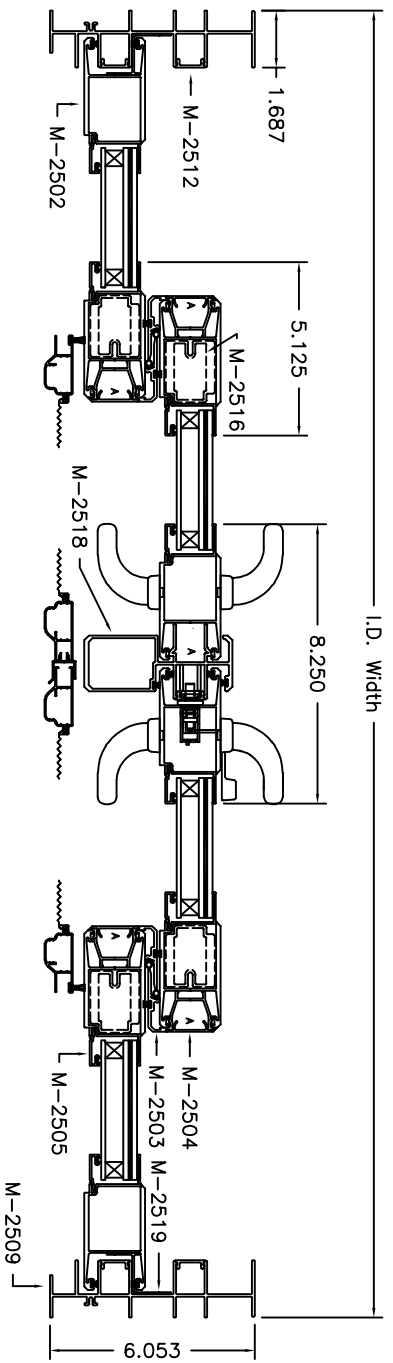
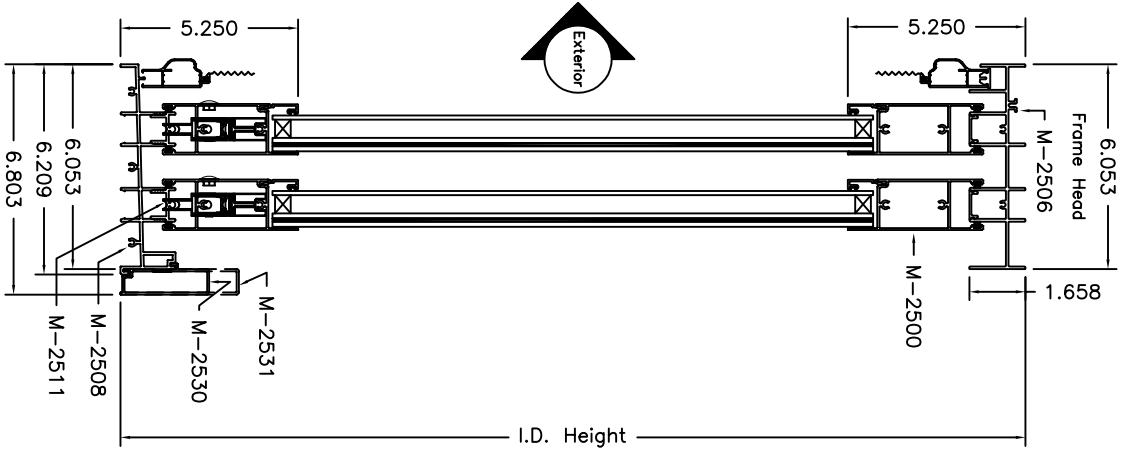
O-XO Shown, OX-O Opposite

Call Size	I.D. Size	Rough Opening
7-6 x 6-8	90 7/8" x 80"	91 3/8" x 80 1/2"
9-0 x 6-8	108 7/8" x 80"	109 3/8" x 80 1/2"
12-0 x 6-8	144 7/8" x 80"	145 3/8" x 80 1/2"
7-6 x 8-0	90 7/8" x 96"	91 3/8" x 96 1/2"
9-0 x 8-0	108 7/8" x 96"	109 3/8" x 96 1/2"
12-0 x 8-0	144 7/8" x 96"	145 3/8" x 96 1/2"
7-6 x 10-0	90 7/8" x 120"	91 3/8" x 120 1/2"
9-0 x 10-0	108 7/8" x 120"	109 3/8" x 120 1/2"
12-0 x 10-0	144 7/8" x 120"	145 3/8" x 120 1/2"

For Vertical Sectional Drawing, see 2-panel drawing.

MATERIAL:		FINISH:		UNSPECIFIED WALL:		 <small>400 WEST MARKET STREET GAITHERSBURG, MD 20878-1070</small>		DESCRIPTION: OXO Horizontal Cross Section	
B 122A-17 Added 10-0 Height, Optional Rebars		10/10/17 T.C.		AREA:		BREKAK ALL CORNERS R.015, UNLESS OTHERWISE SPECIFIED		IG Non-Impact, Flange Frame	
A 110C-16 Removed w-strip from panel snap stiles		08/10/16 T.C.		WEIGHT:		The information, design or data shown on this document or electronic media is the exclusive property of MI Windows and Doors, LLC. It is considered confidential and proprietary and is made available for limited use only. Its use or reproduction without the expressed written consent of MI Windows and Doors, LLC., is prohibited.		PRODUCT: 120	
- 110B-16 Initial cross sectional drawing release		07/22/16 T.C.		PERIMETER:		SCALE: Half		PART NUMBER:	
LITER ECN #		REVISIONS		DATE		BY		DRAWING NUMBER: CS-000106	
								DATE: 07/14/2015	



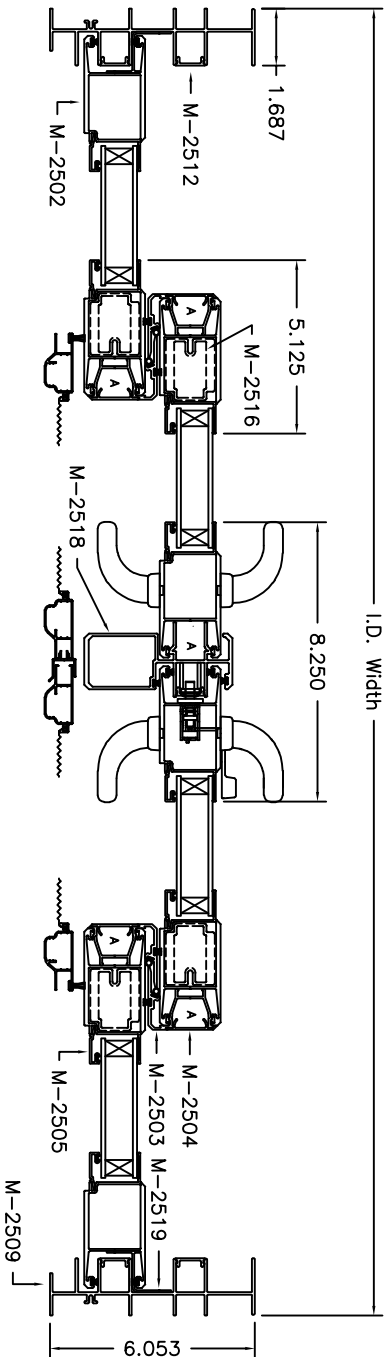
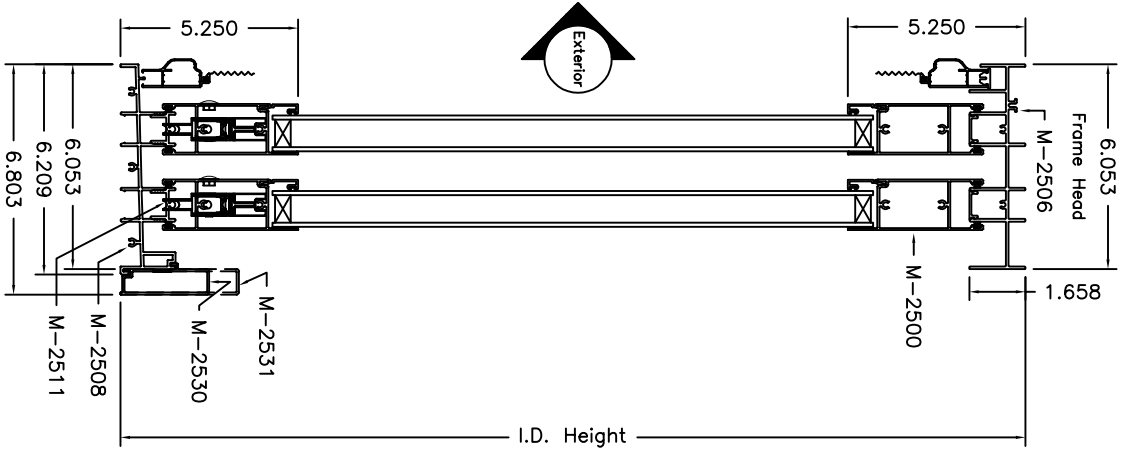


Call Size	I.D. Size	Rough Opening
10-0 x 6-8	118 5/8" x 80"	119 1/8" x 80 1/2"
12-0 x 6-8	142 5/8" x 80"	143 1/8" x 80 1/2"
16-0 x 6-8	190 5/8" x 80"	191 1/8" x 80 1/2"
10-0 x 8-0	118 5/8" x 96"	119 1/8" x 96 1/2"
12-0 x 8-0	142 5/8" x 96"	143 1/8" x 96 1/2"
16-0 x 8-0	190 5/8" x 96"	191 1/8" x 96 1/2"
10-0 x 10-0	118 5/8" x 120"	119 1/8" x 120 1/2"
12-0 x 10-0	142 5/8" x 120"	143 1/8" x 120 1/2"
16-0 x 10-0	190 5/8" x 120"	191 1/8" x 120 1/2"

MATERIAL:		UNSPECIFIED WALL:		DESCRIPTION: Cross Sectional Drawing, IG Impact	
FINISH:		AREA:		2-Track OXXO, Finless Frame	
B	122A-17	Added 10-0 Heights	10/10/17	T.C.	PRODUCT: 120
A	110C-16	Removed w-strip from panel snap stilts	08/10/16	T.C.	SCALE: 1 : 4
-	110B-16	Initial release of cross sectional drawing	07/22/16	T.C.	PART NUMBER:
REVISIONS		DATE	BY	PERMETER:	DRAWING NUMBER: CS-000108
LITER		ECN #			DATE: 07/14/2015

**MiWD** MI WINDOWS AND DOORS  
600 WEST MARKET STREET GAITHERSBURG, MD 20878

The information, design or data shown on this document or electronic media is the exclusive property of Mi Windows and Doors, LLC. It is considered confidential and proprietary and is made available for limited use only. Its use or reproduction without the expressed written consent of Mi Windows and Doors, LLC., is prohibited.

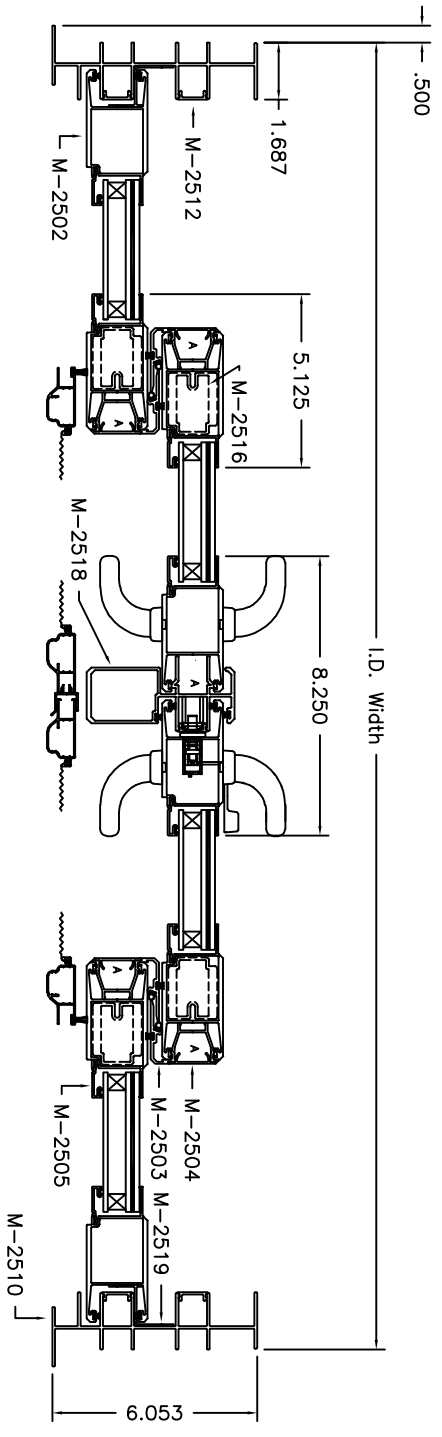
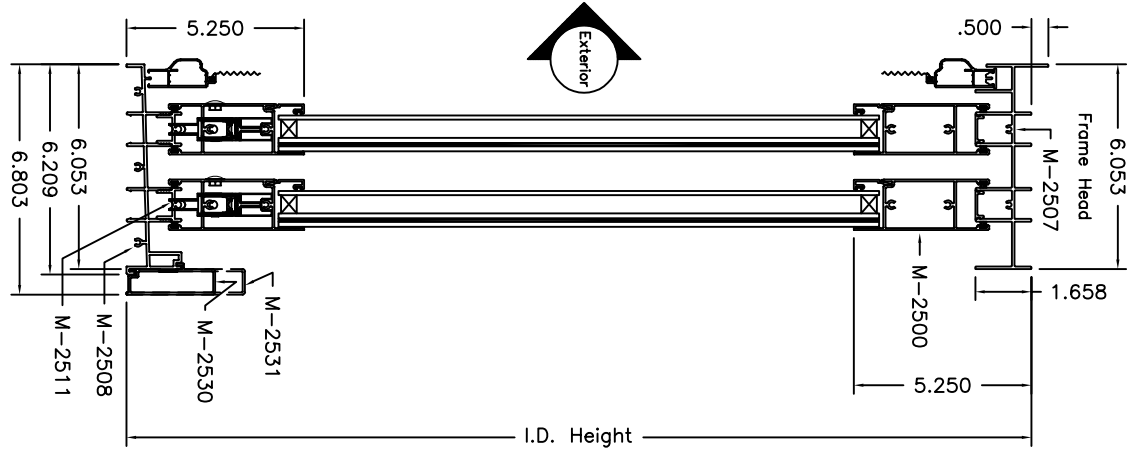


Cell Size	I.D. Size	Rough Opening
10-0 x 6-8	118 5/8" x 80"	119 1/8" x 80 1/2"
12-0 x 6-8	142 5/8" x 80"	143 1/8" x 80 1/2"
16-0 x 6-8	190 5/8" x 80"	191 1/8" x 80 1/2"
10-0 x 8-0	118 5/8" x 96"	119 1/8" x 96 1/2"
12-0 x 8-0	142 5/8" x 96"	143 1/8" x 96 1/2"
16-0 x 8-0	190 5/8" x 96"	191 1/8" x 96 1/2"
10-0 x 10-0	118 5/8" x 120"	119 1/8" x 120 1/2"
12-0 x 10-0	142 5/8" x 120"	143 1/8" x 120 1/2"
16-0 x 10-0	190 5/8" x 120"	191 1/8" x 120 1/2"

MATERIAL:		UNSPECIFIED WALL:		DESCRIPTION: Cross Sectional Drawing, IG Non-Impact	
FINISH:		AREA:		2-Track OXXO, Finless Frame	
B	122A-17	Added 10-0 Heights	10/10/17	T.C.	DATE: 07/14/2015
A	110C-16	Removed w-strip from panel snap stilts	08/10/16	T.C.	
-	110B-16	Initial release of cross sectional drawing	07/22/16	T.C.	
LITERATURE:		REVISIONS:		DRAWING NUMBER: CS-000109	
E.C.N. #		DATE		BY	

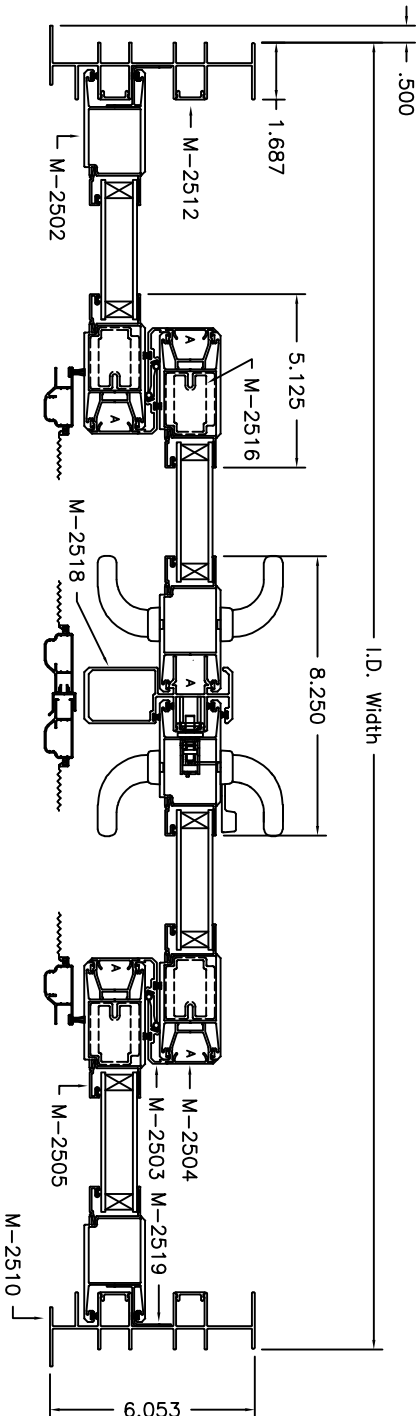
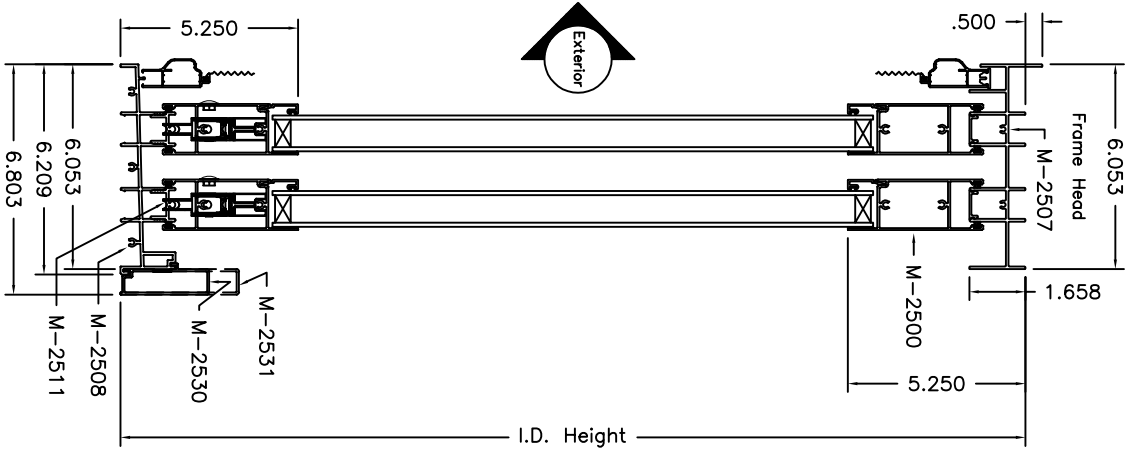
**MIND** MI WINDOWS AND DOORS  
 600 WEST MARKET STREET GATZ, PA 17030-0370

The information, design or data shown on this document or electronic media is the exclusive property of MI Windows and Doors, LLC. It is considered confidential and proprietary and is made available for limited use only. Its use or reproduction without the expressed written consent of MI Windows and Doors, LLC., is prohibited.



Call Size	I.D. Size	Rough Opening
10-0 x 6-8	118 5/8" x 80"	119 1/8" x 80 1/2"
12-0 x 6-8	142 5/8" x 80"	143 1/8" x 80 1/2"
16-0 x 6-8	190 5/8" x 80"	191 1/8" x 80 1/2"
10-0 x 8-0	118 5/8" x 96"	119 1/8" x 96 1/2"
12-0 x 8-0	142 5/8" x 96"	143 1/8" x 96 1/2"
16-0 x 8-0	190 5/8" x 96"	191 1/8" x 96 1/2"
10-0 x 10-0	118 5/8" x 120"	119 1/8" x 120 1/2"
12-0 x 10-0	142 5/8" x 120"	143 1/8" x 120 1/2"
16-0 x 10-0	190 5/8" x 120"	191 1/8" x 120 1/2"

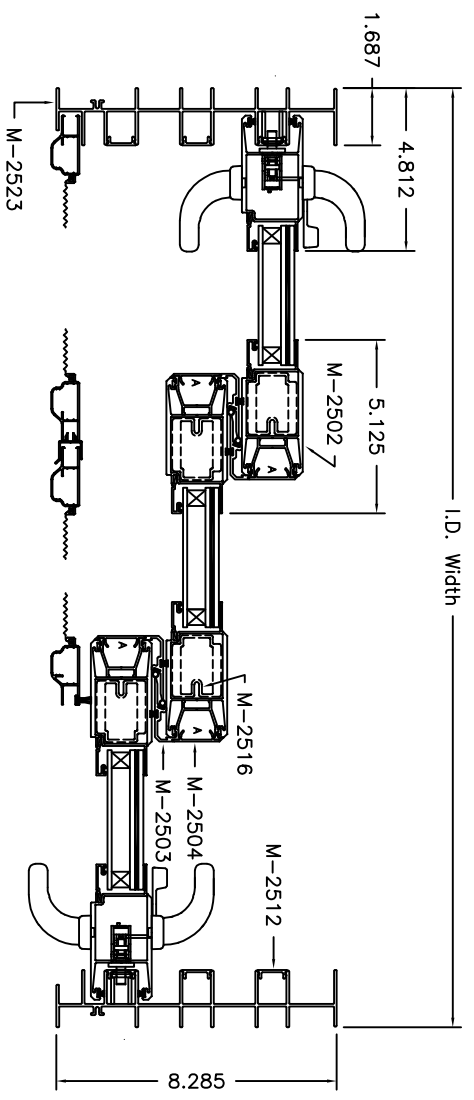
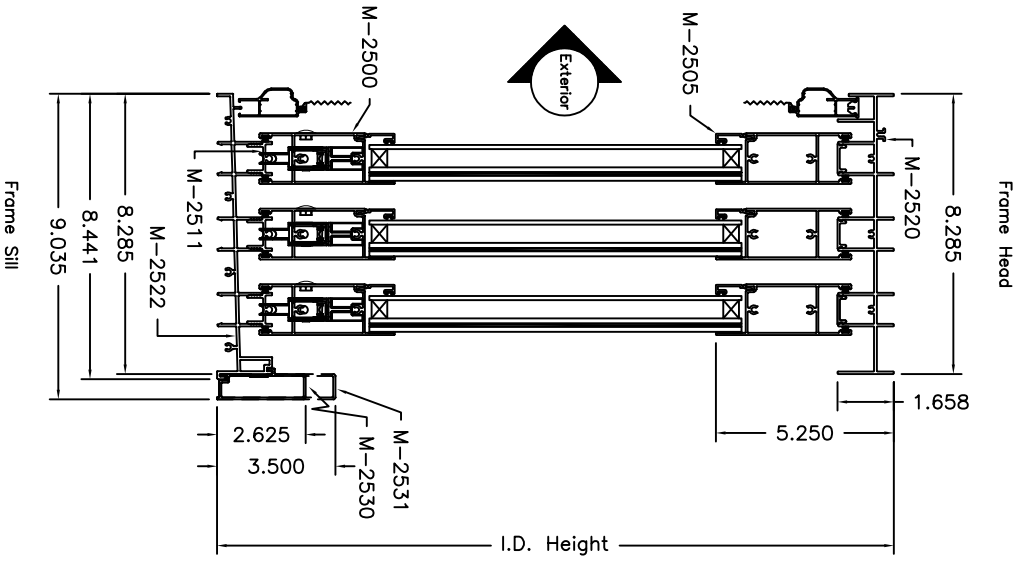
MATERIAL:		UNSPECIFIED WALL:				DESCRIPTION: Cross Sectional Drawing, IG Impact	
FINISH:		AREC:		<p>The information, design or data shown on this document or electronic media is the exclusive property of MI Windows and Doors, LLC. It is considered confidential and proprietary and is made available for limited use only. Its use or reproduction without the expressed written consent of MI Windows and Doors, LLC, is prohibited.</p>		2-Track OXXO, Flange Frame	
ADDED 10-0 HEIGHTS		10/10/17 T.C.		PRODUCT: 120		DATE: 07/15/2015	
REMOVED W-STRIP FROM PANEL SNAP STILES		08/10/16 T.C.		SCALE: 1 : 4		PART NUMBER:	
INITIAL RELEASE OF CROSS SECTIONAL DRAWING		07/22/16 T.C.		DFTM: T.C.		DRAWING NUMBER: CS-000111	
REVISIONS		DATE		BY		PERMETER:	
ECN #							



Call Size	I.D. Size	Rough Opening
10-0 x 6-8	118 5/8" x 80"	119 1/8" x 80 1/2"
12-0 x 6-8	142 5/8" x 80"	143 1/8" x 80 1/2"
16-0 x 6-8	190 5/8" x 80"	191 1/8" x 80 1/2"
10-0 x 8-0	118 5/8" x 96"	119 1/8" x 96 1/2"
12-0 x 8-0	142 5/8" x 96"	143 1/8" x 96 1/2"
16-0 x 8-0	190 5/8" x 96"	191 1/8" x 96 1/2"
10-0 x 10-0	118 5/8" x 120"	119 1/8" x 120 1/2"
12-0 x 10-0	142 5/8" x 120"	143 1/8" x 120 1/2"
16-0 x 10-0	190 5/8" x 120"	191 1/8" x 120 1/2"

MATERIAL:		UNSPECIFIED WALL:		 <b>MIND</b> MI WINDOWS AND DOORS <small>600 WEST MARKET STREET GAITHERSBURG, MD 20878</small>		DESCRIPTION: Cross Sectional Drawing, IG Non-Impact	
FINISH:		AREA:		PRODUCT: 120		DATE: 07/14/2015	
REVISIONS:		PERIMETER:		SCALE: 1 : 4		PART NUMBER:	
DATE:		BY:		DFTM: T.C.		DRAWING NUMBER: CS-000112	
T.C.:		T.C.:		DATE:		DATE:	
10/10/17		08/10/16		07/22/16		07/14/2015	
Added 10-0 Heights		Removed w-strip from panel snap stiles		Initial release of sectional drawing			
122A-17		110C-16		110B-16			
A		-		-			
ECN #		-		-			

The information, design or data shown on this document or electronic media is the exclusive property of MI Windows and Doors, LLC. It is considered confidential and proprietary and is made available for limited use only. Its use or reproduction without the expressed written consent of MI Windows and Doors, LLC., is prohibited.

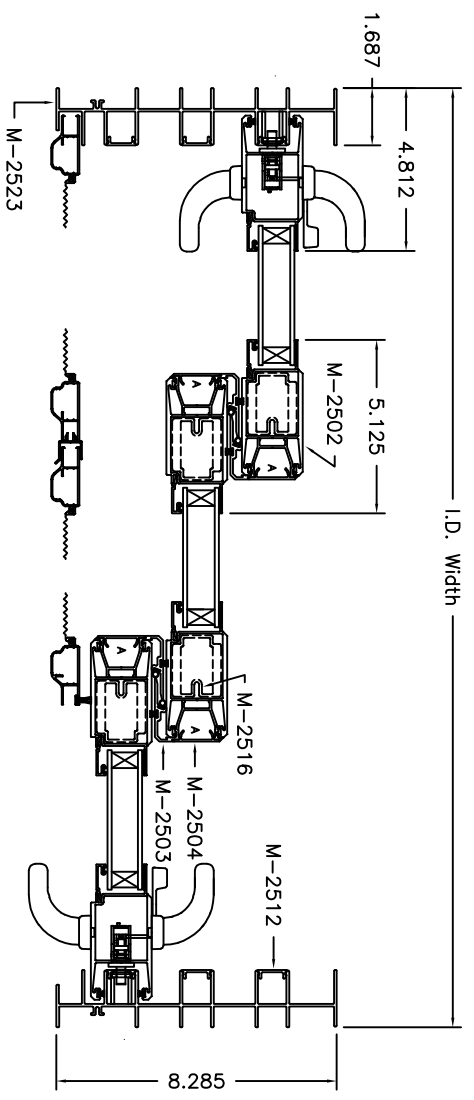
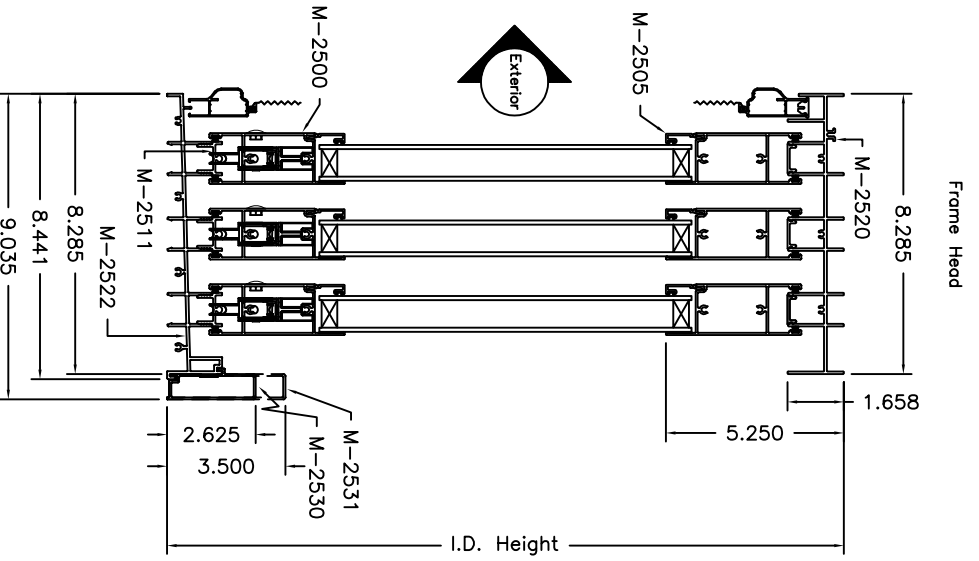


Call Size	I.D. Size	Rough Opening
7-6 x 6-8	87 3/4" x 80"	88 1/4" x 80 1/2"
9-0 x 6-8	105 3/4" x 80"	106 1/4" x 80 1/2"
12-0 x 6-8	141 3/4" x 80"	142 1/4" x 80 1/2"
7-6 x 8-0	87 3/4" x 96"	88 1/4" x 96 1/2"
9-0 x 8-0	105 3/4" x 96"	106 1/4" x 96 1/2"
12-0 x 8-0	141 3/4" x 96"	142 1/4" x 96 1/2"
7-6 x 10-0	87 3/4" x 120"	88 1/4" x 120 1/2"
9-0 x 10-0	105 3/4" x 120"	106 1/4" x 120 1/2"
12-0 x 10-0	141 3/4" x 120"	142 1/4" x 120 1/2"

MATERIAL:		UNSPECIFIED WALL:		DESCRIPTION: Cross Sectional Drawing, IG Impact	
FINISH:		AREC:		3-Track, XIX	
ADDED 10-0 HEIGHTS		REMOVED W-STRIP FROM PANEL INTERLOCK STILES		PRODUCT: 130	
110C-16		08/10/16 T.C.		SCALE: 1 : 4	
ECN #		DATE		PART NUMBER:	
REVISIONS		BY		DRAWING NUMBER: CS-000114	
PERMETER:		WEIGHT:		DATE: 07/15/15	
BREAK ALL CORNERS R.015, UNLESS OTHERWISE SPECIFIED		OTHERWISE SPECIFIED		DFTM: T.C.	

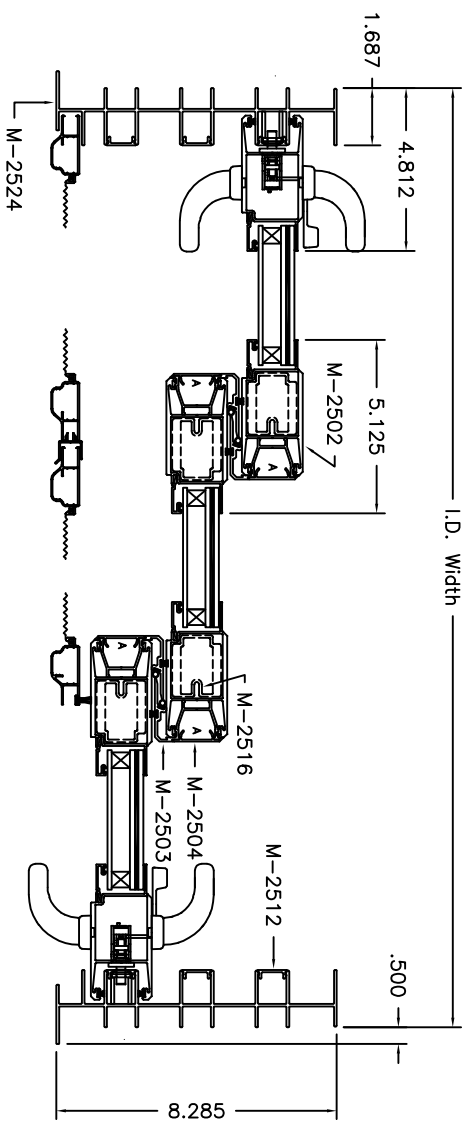
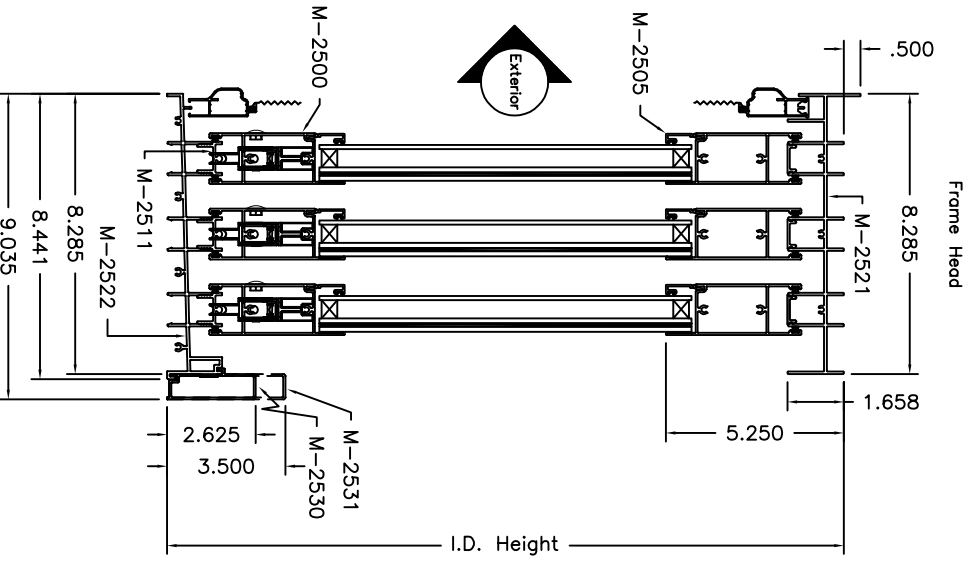
**MIWD** MI WINDOWS AND DOORS  
 600 WEST MARKET STREET GAITHERSBURG, MD 20878

The information, design or data shown on this document or electronic media is the exclusive property of MI Windows and Doors, LLC. It is considered confidential and proprietary and is made available for limited use only. Its use or reproduction without the expressed written consent of MI Windows and Doors, LLC, is prohibited.



Coll Size	I.D. Size	Rough Opening
7-6 x 6-8	87 3/4" x 80"	88 1/4" x 80 1/2"
9-0 x 6-8	105 3/4" x 80"	106 1/4" x 80 1/2"
12-0 x 6-8	141 3/4" x 80"	142 1/4" x 80 1/2"
7-6 x 8-0	87 3/4" x 96"	88 1/4" x 96 1/2"
9-0 x 8-0	105 3/4" x 96"	106 1/4" x 96 1/2"
12-0 x 8-0	141 3/4" x 96"	142 1/4" x 96 1/2"
7-6 x 10-0	87 3/4" x 120"	88 1/4" x 120 1/2"
9-0 x 10-0	105 3/4" x 120"	106 1/4" x 120 1/2"
12-0 x 10-0	141 3/4" x 120"	142 1/4" x 120 1/2"

MATERIAL:		UNSPECIFIED WALL:		<p><b>MIWD</b> MI WINDOWS AND DOORS          600 WEST MARKET STREET GAITHERSBURG, MD 20878</p> <p>The information, design or data shown on this document or electronic media is the exclusive property of MI Windows and Doors, LLC. It is considered confidential and proprietary and is made available for limited use only. Its use or reproduction without the expressed written consent of MI Windows and Doors, LLC., is prohibited.</p>	
FINISH:		AREC:		PRODUCT: 130	
WEIGHT:		PERIMETER:		SCALE: 1 : 4	
DATE:		BY:		PART NUMBER:	
REVISIONS:		DATE:		DRAWING NUMBER: CS-000115	
ECN #		T.C.		DATE: 07/15/2015	
Added 10-0 Height		10/10/17		T.C.	
Removed w-strip from panel interlock stiles		08/10/16		T.C.	
A		110C-16		A	
B		122A-17		B	
LITR		ECN #		LITR	
DESCRIPTION: Cross Sectional Drawing, IG Non-Impact					
3-Track, XIX					



Call Size	I.D. Size	Rough Opening
7-6 x 6-8	87 3/4" x 80"	88 1/4" x 80 1/2"
9-0 x 6-8	105 3/4" x 80"	106 1/4" x 80 1/2"
12-0 x 6-8	141 3/4" x 80"	142 1/4" x 80 1/2"
7-6 x 8-0	87 3/4" x 96"	88 1/4" x 96 1/2"
9-0 x 8-0	105 3/4" x 96"	106 1/4" x 96 1/2"
12-0 x 8-0	141 3/4" x 96"	142 1/4" x 96 1/2"
7-6 x 10-0	87 3/4" x 120"	88 1/4" x 120 1/2"
9-0 x 10-0	105 3/4" x 120"	106 1/4" x 120 1/2"
12-0 x 10-0	141 3/4" x 120"	142 1/4" x 120 1/2"

**MIWD** MI WINDOWS AND DOORS  
 600 WEST MARKET STREET GAITHERSBURG, MD 20878

The information, design or data shown on this document or electronic media is the exclusive property of MI Windows and Doors, LLC. It is considered confidential and proprietary and is made available for limited use only. Its use or reproduction without the expressed written consent of MI Windows and Doors, LLC., is prohibited.

DESCRIPTION: Cross Sectional Drawing, IG Impact  
 3-Track, XIX, Flange Frame

PRODUCT: 130

SCALE: 1 : 4

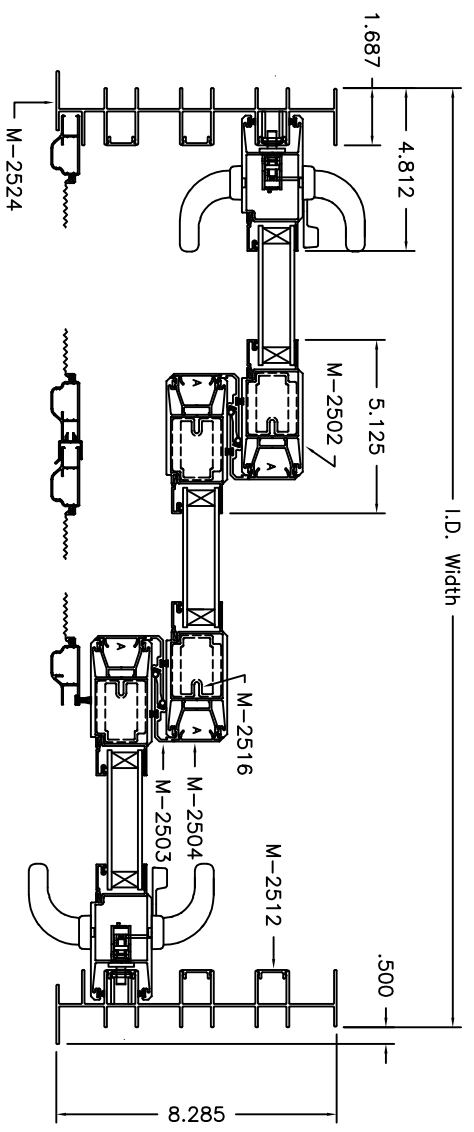
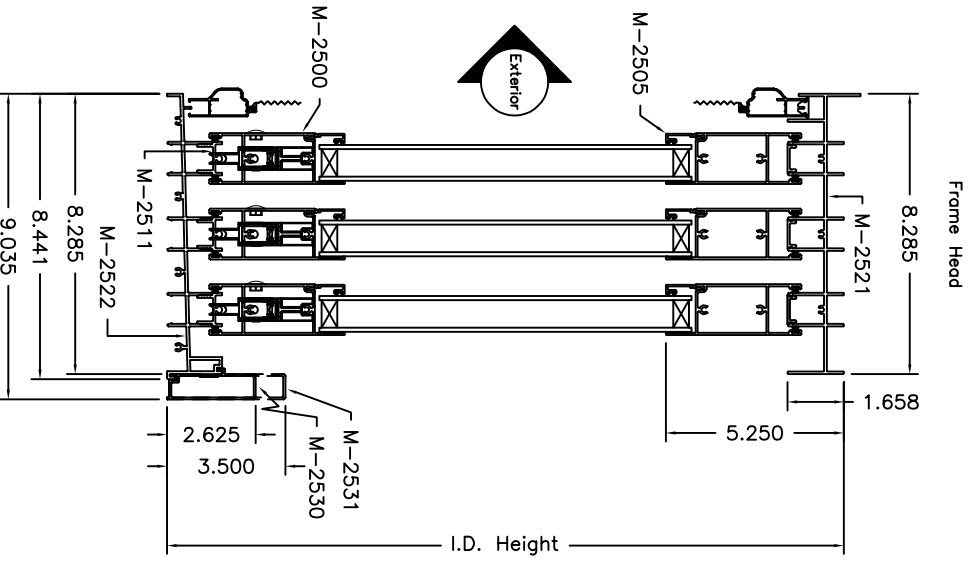
DATE: 07/15/2015

PART NUMBER:

DRAWING NUMBER: CS-000117

MATERIAL:	
FINISH:	
AREA:	
WEIGHT:	
PERIMETER:	
UNSPECIFIED WALL:	
BREAK ALL CORNERS R.015, UNLESS OTHERWISE SPECIFIED	
REVISIONS	
DATE	BY
10/10/17	T.C.
08/10/16	T.C.
Removed w-strip from panel interlock stiles	
110C-16	
122A-17	
Added 10-0 Heights	
ECN #	

DATE	BY
10/10/17	T.C.
08/10/16	T.C.
Removed w-strip from panel interlock stiles	
110C-16	
122A-17	
Added 10-0 Heights	
ECN #	



Call Size	I.D. Size	Rough Opening
7-6 x 6--8	87 3/4" x 80"	88 1/4" x 80 1/2"
9-0 x 6--8	105 3/4" x 80"	106 1/4" x 80 1/2"
12-0 x 6--8	141 3/4" x 80"	142 1/4" x 80 1/2"
7-6 x 8-0	87 3/4" x 96"	88 1/4" x 96 1/2"
9-0 x 8-0	105 3/4" x 96"	106 1/4" x 96 1/2"
12-0 x 8-0	141 3/4" x 96"	142 1/4" x 96 1/2"
7-6 x 10-0	87 3/4" x 120"	88 1/4" x 120 1/2"
9-0 x 10-0	105 3/4" x 120"	106 1/4" x 120 1/2"
12-0 x 10-0	141 3/4" x 120"	142 1/4" x 120 1/2"

**MIND** MI WINDOWS AND DOORS  
 600 WEST MARKET STREET GAITHERSBURG, MD 20878

The information, design or data shown on this document or electronic media is the exclusive property of MI Windows and Doors, LLC. It is considered confidential and proprietary and is made available for limited use only. Its use or reproduction without the expressed written consent of MI Windows and Doors, LLC., is prohibited.

DESCRIPTION: Cross Sectional Drawing, IG Non-Impact  
 3-Track, XIX, Flange Frame

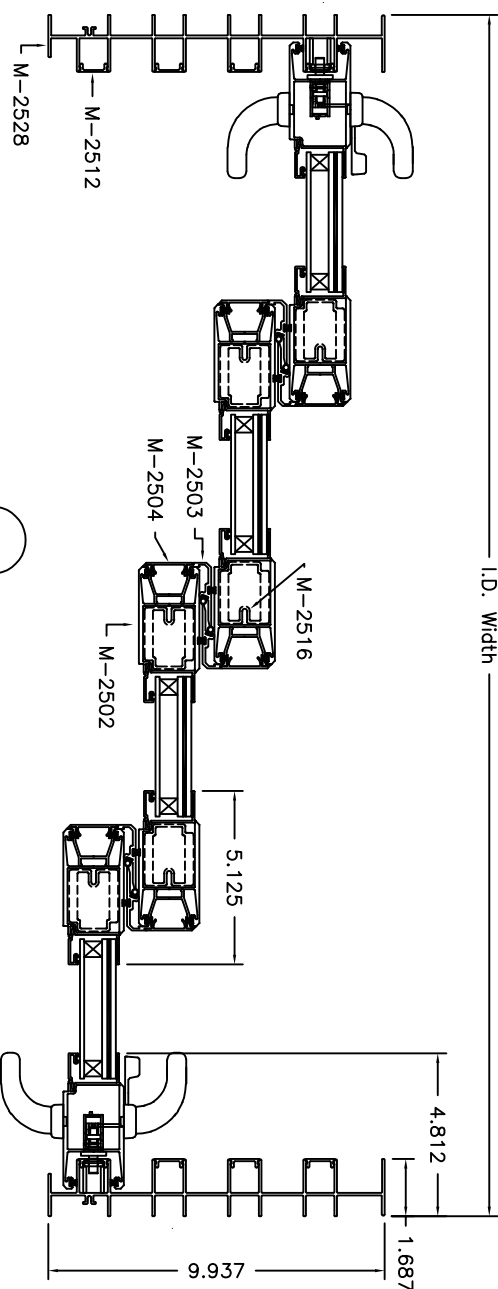
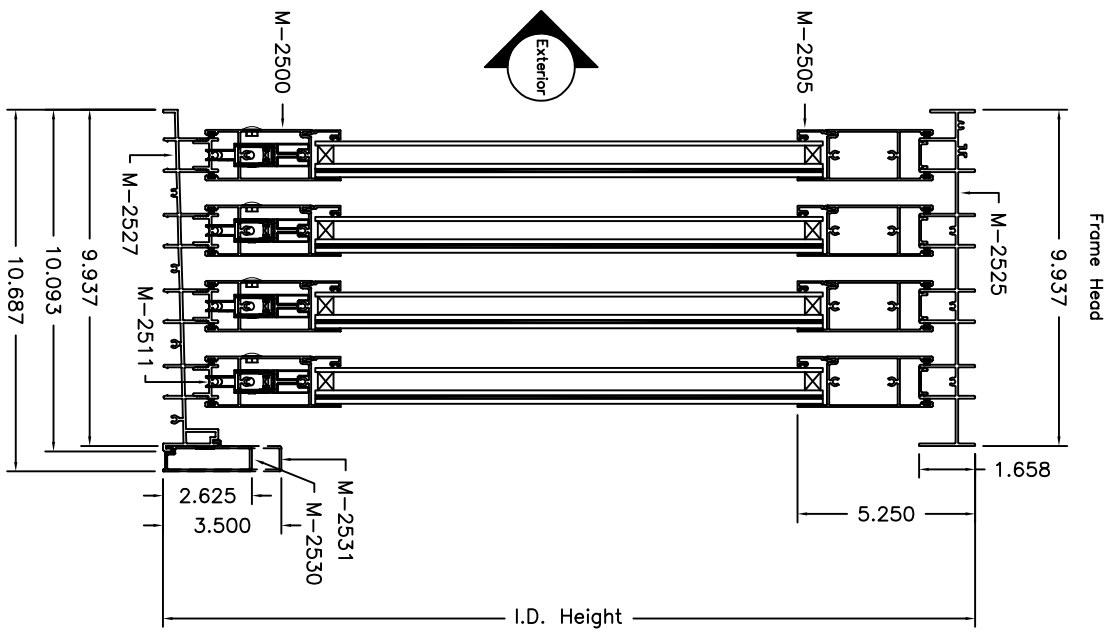
PRODUCT: 130 DATE: 07/15/2015

SCALE: 1 : 4 PART NUMBER:

DFTM: T.C. DRAWING NUMBER: CS-000118

MATERIAL:	
FINISH:	
AREA:	
WEIGHT:	
PERIMETER:	
UNSPECIFIED WALL:	
BREAK ALL CORNERS R.015, UNLESS OTHERWISE SPECIFIED	
REVISIONS	
DATE	BY
10/10/17	T.C.
08/10/16	T.C.
Removed w-strip from panel interlock stiles	
Added 10-0 Heights	
122A-17	
110C-16	
ECN #	



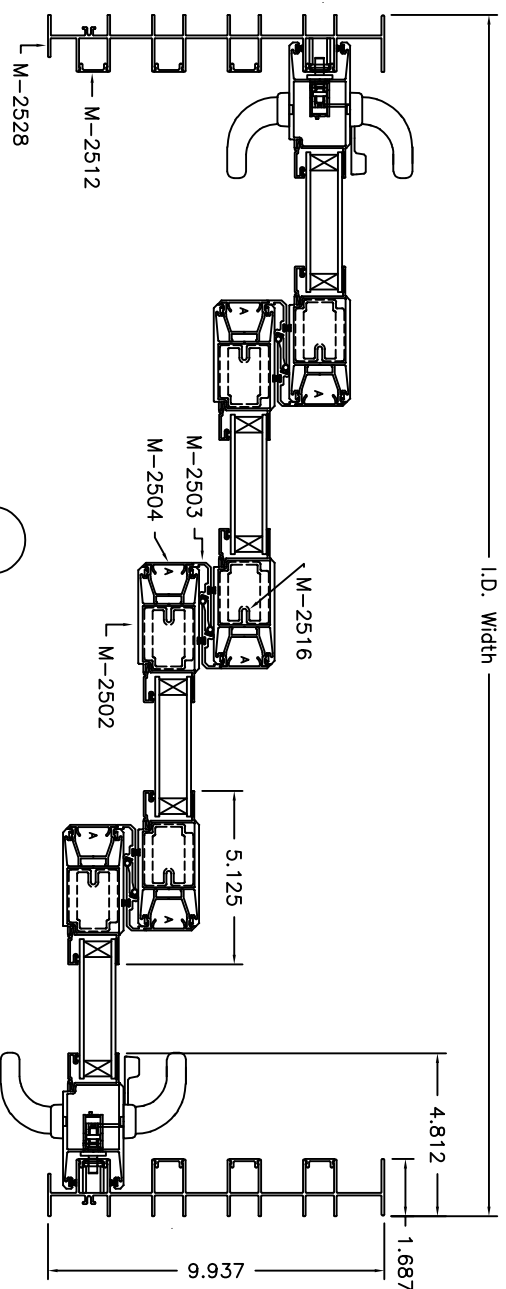
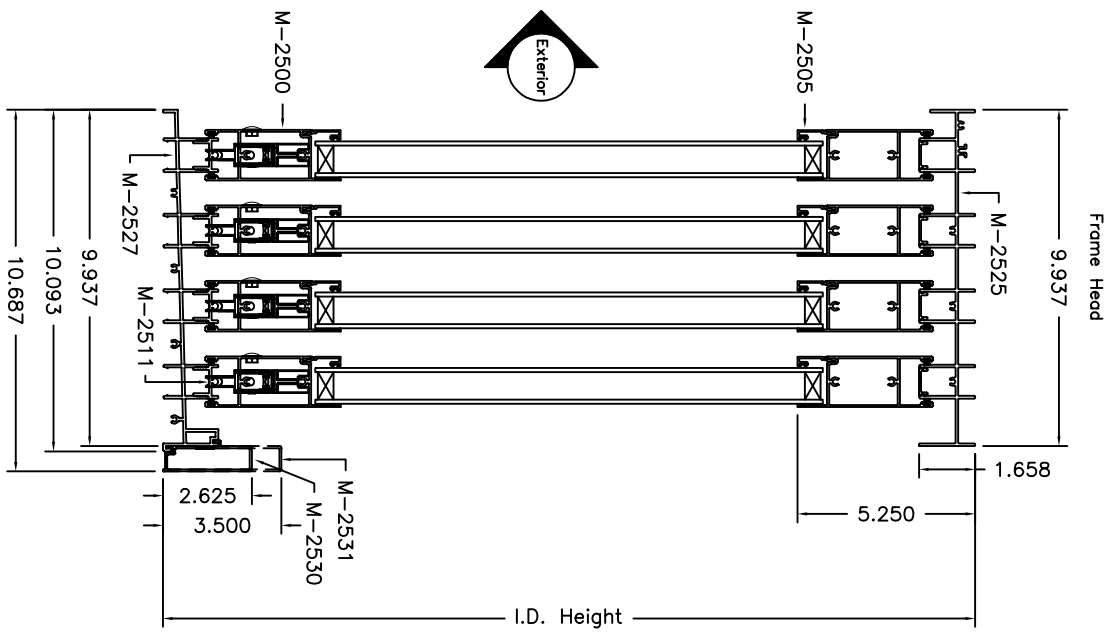


Coil Size	I.D. Size	Rough Opening
10-0 x 6-8	115 1/2" x 80"	116" x 80 1/2"
12-0 x 6-8	139 1/2" x 80"	140" x 80 1/2"
16-0 x 6-8	187 1/2" x 80"	188" x 80 1/2"
10-0 x 8-0	115 1/2" x 96"	116" x 96 1/2"
12-0 x 8-0	139 1/2" x 96"	140" x 96 1/2"
16-0 x 8-0	187 1/2" x 96"	188" x 96 1/2"
10-0 x 10-0	115 1/2" x 120"	116" x 120 1/2"
12-0 x 10-0	139 1/2" x 120"	140" x 120 1/2"
16-0 x 10-0	187 1/2" x 120"	188" x 120 1/2"

MATERIAL:		UNSPECIFIED WALL:		DESCRIPTION: Cross Sectional Drawing, IG Impact	
FINISH:		AREC		4-Track, XIX, Finless	
WEIGHT:		BREK ALU CORNERS R015, UNLESS OTHERWISE SPECIFIED		PART NUMBER:	
PERIMETER:		DATE: 07/16/2015		DRAWING NUMBER: CS-000120	
DATE: 10/10/17 T.C.		SCALE: 1 : 4		DATE: 07/16/2015	
BY: 08/10/16 T.C.		DFTM: T.C.		DRAWING NUMBER: CS-000120	
REVISIONS:		LITER			
ECN #		LITER			
A 110C-16		Removed w-strip from panel interlock stile			
B 122A-17		Added 10-0 Heights			

**MIND** MI WINDOWS AND DOORS  
 600 WEST MARKET STREET SUITE 1700-0370  
 GAITHERSBURG, MD 20878

The information, design or data shown on this document or electronic media is the exclusive property of MI Windows and Doors, LLC. It is considered confidential and proprietary and is made available for limited use only. Its use or reproduction without the expressed written consent of MI Windows and Doors, LLC, is prohibited.

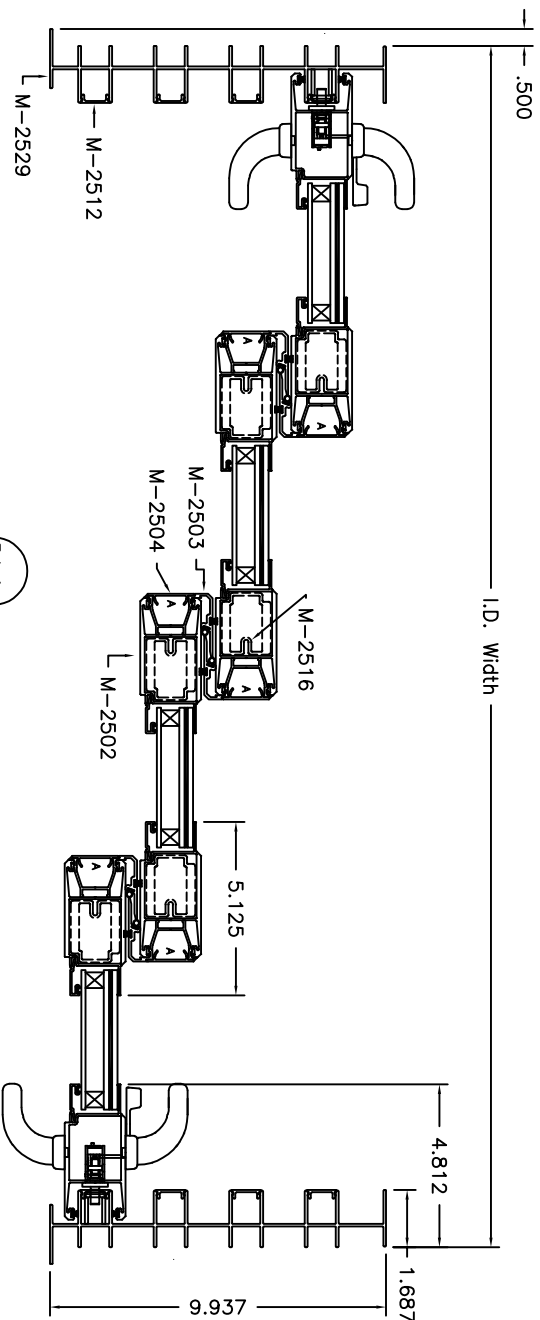
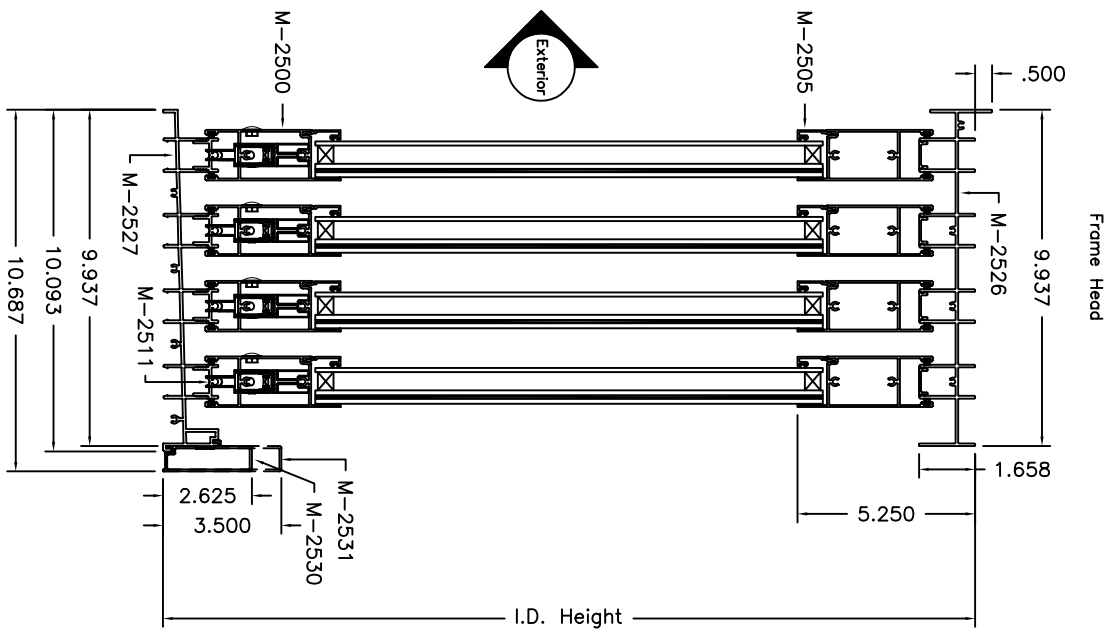


Call Size	I.D. Size	Rough Opening
10-0 x 6-8	115 1/2" x 80"	116" x 80 1/2"
12-0 x 6-8	139 1/2" x 80"	140" x 80 1/2"
16-0 x 6-8	187 1/2" x 80"	188" x 80 1/2"
10-0 x 8-0	115 1/2" x 96"	116" x 96 1/2"
12-0 x 8-0	139 1/2" x 96"	140" x 96 1/2"
16-0 x 8-0	187 1/2" x 96"	188" x 96 1/2"
10-0 x 10-0	115 1/2" x 120"	116" x 120 1/2"
12-0 x 10-0	139 1/2" x 120"	140" x 120 1/2"
16-0 x 10-0	187 1/2" x 120"	188" x 120 1/2"

MATERIAL:		UNSPECIFIED WALL:		DESCRIPTION: Cross Sectional Drawing, IG Non-Impact	
FINISH:		AREC		4-Track, XIX, Finless	
WEIGHT:		BREK ALU CORNERS R015, UNLESS OTHERWISE SPECIFIED		PRODUCT: 140	
PERIMETER:		DATE: 07/16/15		SCALE: 1 : 4	
DATE: 08/10/16		BY: T.C.		PART NUMBER:	
REVISIONS:		DRAWING NUMBER: CS-000121		DATE: 07/16/15	
LITERATURE:		DATE: 08/10/17		PART NUMBER:	
A 110C-16		Removed w-strip for panel interlock stiles		DRAWING NUMBER: CS-000121	
B 122A-17		Added 10-0 Heights		DATE: 07/16/15	
C 110C-16		Removed w-strip for panel interlock stiles		DRAWING NUMBER: CS-000121	

**MIND** MI WINDOWS AND DOORS  
 600 WEST MARKET STREET GAITHERSBURG, MD 20878

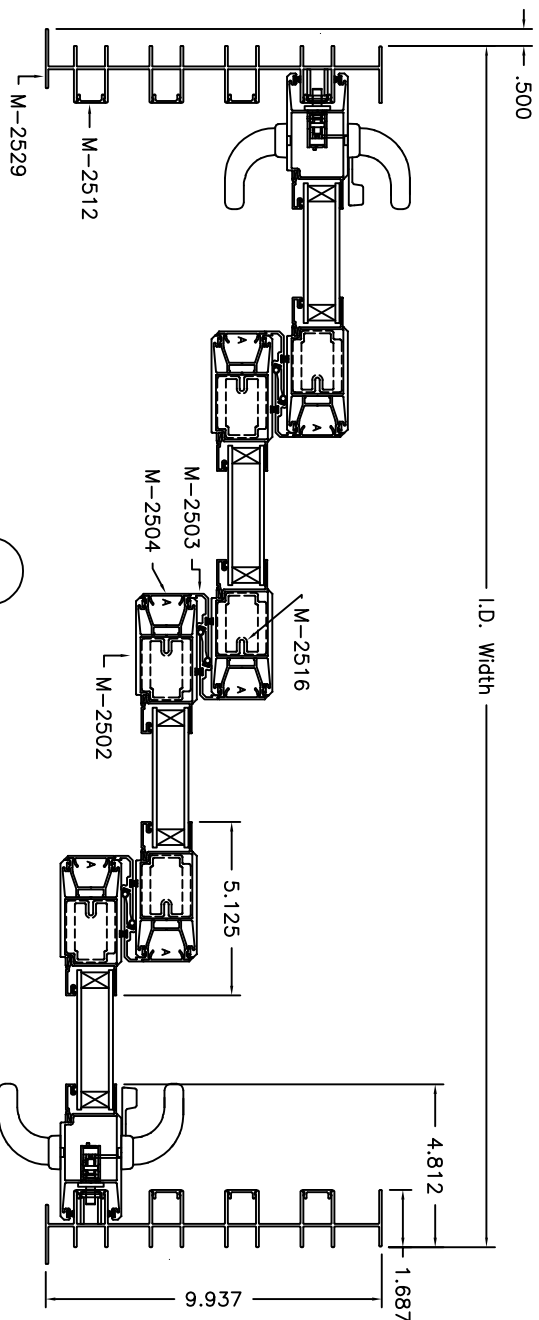
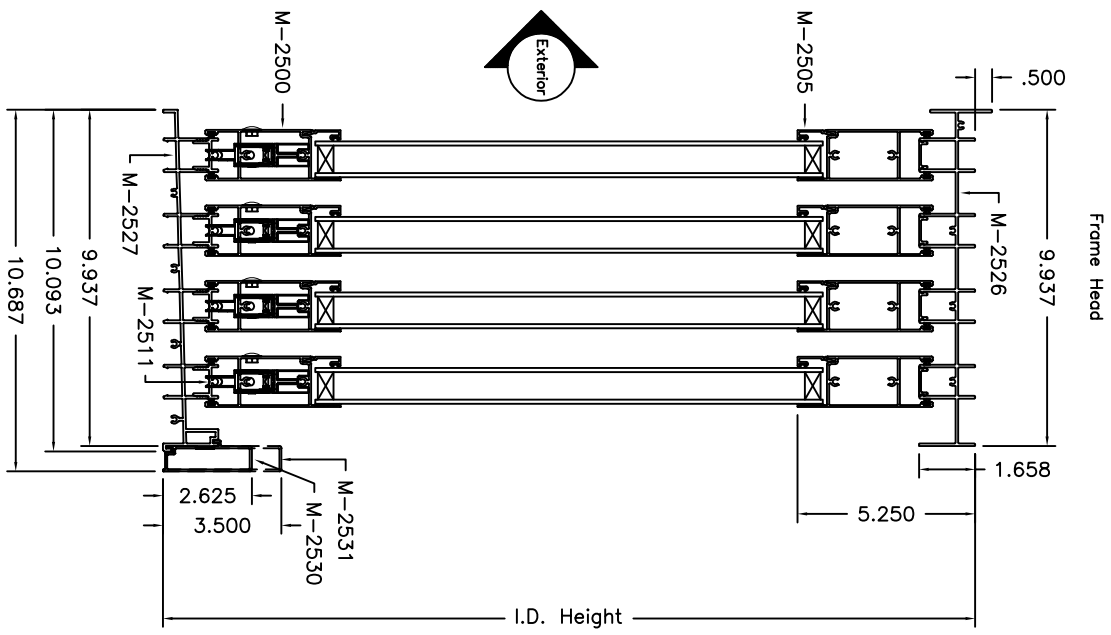
The information, design or data shown on this document or electronic media is the exclusive property of MI Windows and Doors, LLC. It is considered confidential and proprietary and is made available for limited use only. Its use or reproduction without the expressed written consent of MI Windows and Doors, LLC, is prohibited.



Call Size	I.D. Size	Rough Opening
10-0 x 6-8	115 1/2" x 80"	116" x 80 1/2"
12-0 x 6-8	139 1/2" x 80"	140" x 80 1/2"
16-0 x 6-8	187 1/2" x 80"	188" x 80 1/2"
10-0 x 8-0	115 1/2" x 96"	116" x 96 1/2"
12-0 x 8-0	139 1/2" x 96"	140" x 96 1/2"
16-0 x 8-0	187 1/2" x 96"	188" x 96 1/2"
10-0 x 10-0	115 1/2" x 120"	116" x 120 1/2"
12-0 x 10-0	139 1/2" x 120"	140" x 120 1/2"
16-0 x 10-0	187 1/2" x 120"	188" x 120 1/2"

MATERIAL:		UNSPECIFIED WALL:		<b>MIWD</b> MI WINDOWS AND DOORS 600 WEST MARKET STREET GAITHERSBURG, MD 20878-3370		DESCRIPTION: Cross Sectional Drawing, IG Impact	
FINISH:		AREC				PRODUCT: 140	
REVISIONS:		PERIMETER:		SCALE: 1 : 4		PART NUMBER:	
REVISED BY:		DATE:		DFTM: T.C.		DRAWING NUMBER: CS-000123	
A 110C-16		Removed w-strip from panel interlock stile		08/10/16		T.C.	
B 122A-17		Added 10-0 Heights		10/10/17		T.C.	
LITER		ECN #					

The information, design or data shown on this document or electronic media is the exclusive property of MI Windows and Doors, LLC. It is considered confidential and proprietary and is made available for limited use only. Its use or reproduction without the expressed written consent of MI Windows and Doors, LLC, is prohibited.



Call Size	I.D. Size	Rough Opening
10-0 x 6-8	115 1/2" x 80"	116" x 80 1/2"
12-0 x 6-8	139 1/2" x 80"	140" x 80 1/2"
16-0 x 6-8	187 1/2" x 80"	188" x 80 1/2"
10-0 x 8-0	115 1/2" x 96"	116" x 96 1/2"
12-0 x 8-0	139 1/2" x 96"	140" x 96 1/2"
16-0 x 8-0	187 1/2" x 96"	188" x 96 1/2"
10-0 x 10-0	115 1/2" x 120"	116" x 120 1/2"
12-0 x 10-0	139 1/2" x 120"	140" x 120 1/2"
16-0 x 10-0	187 1/2" x 120"	188" x 120 1/2"

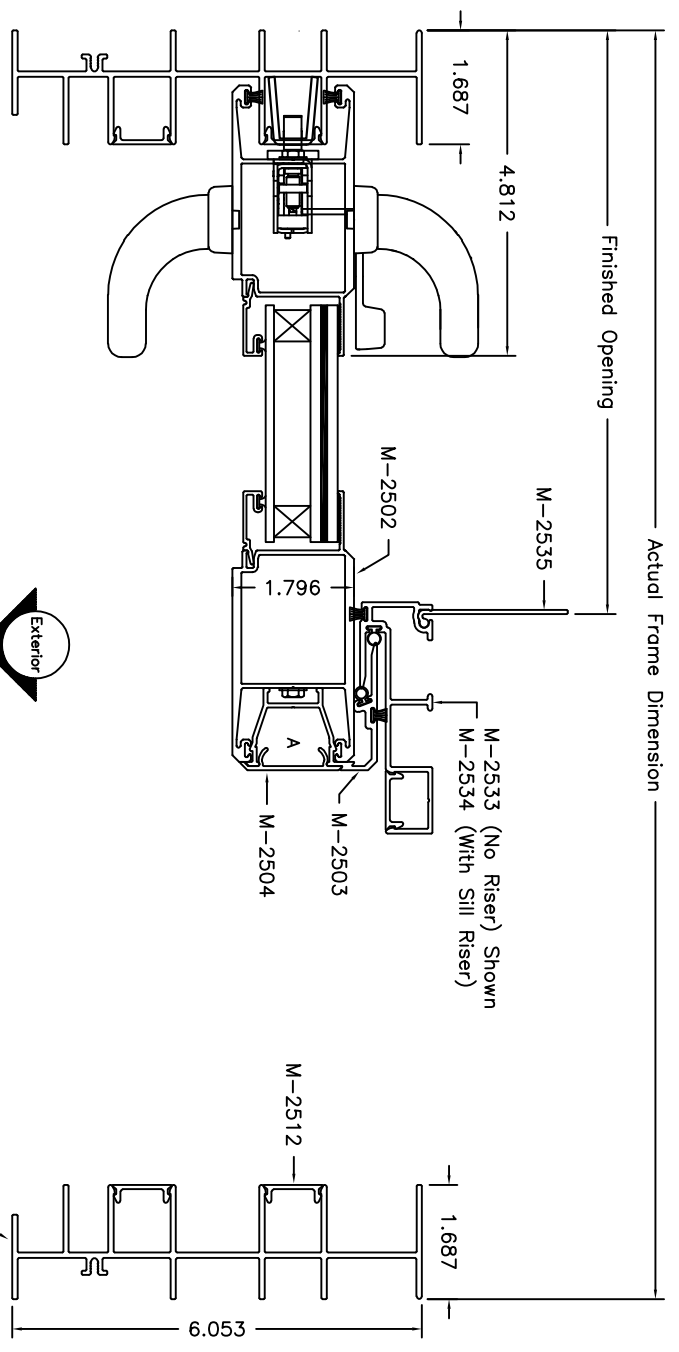
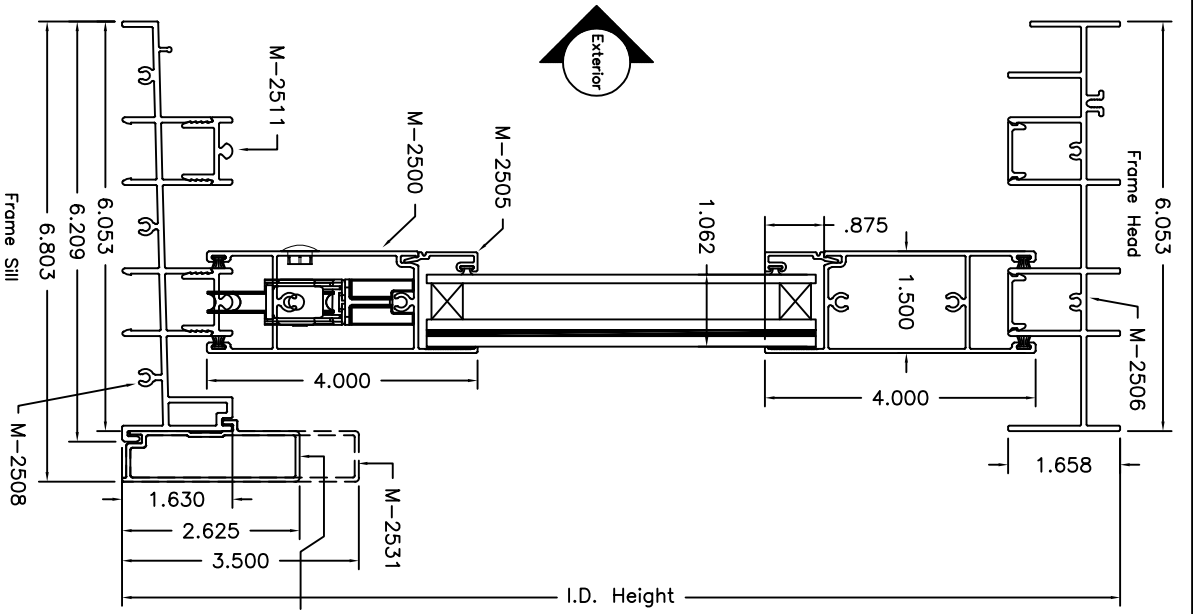
**MIND** MI WINDOWS AND DOORS  
 600 WEST MARKET STREET GAITHERSBURG, MD 20878-0370

The information, design or data shown on this document or electronic media is the exclusive property of MI Windows and Doors, LLC. It is considered confidential and proprietary and is made available for limited use only. Its use or reproduction without the expressed written consent of MI Windows and Doors, LLC, is prohibited.

DESCRIPTION: Cross Sectional Drawing, IG Non-Impact  
 4-Track, XIX, Flange

PRODUCT: 140  
 SCALE: 1 : 4  
 DATE: 07/16/15  
 PART NUMBER:  
 DRAWING NUMBER: CS-000124

MATERIAL:	
FINISH:	
UNSPECIFIED WALL:	
AREA:	
WEIGHT:	
PERIMETER:	
BREAK ALL CORNERS R.015, UNLESS OTHERWISE SPECIFIED	
REVISIONS:	
DATE:	10/10/17
BY:	T.C.
LTR:	ECN #
	08/10/16
	Removed w-swtrip from panel interlock stiles
	Added 10-0 Heights
	122A-17

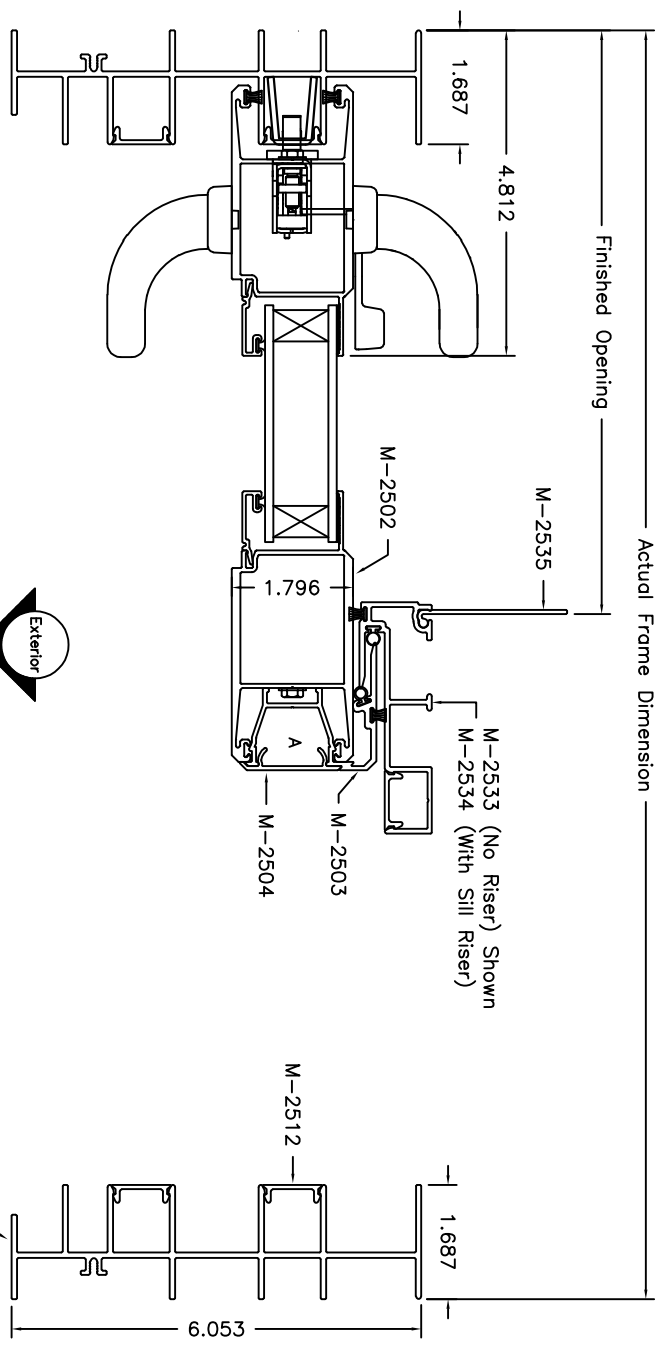
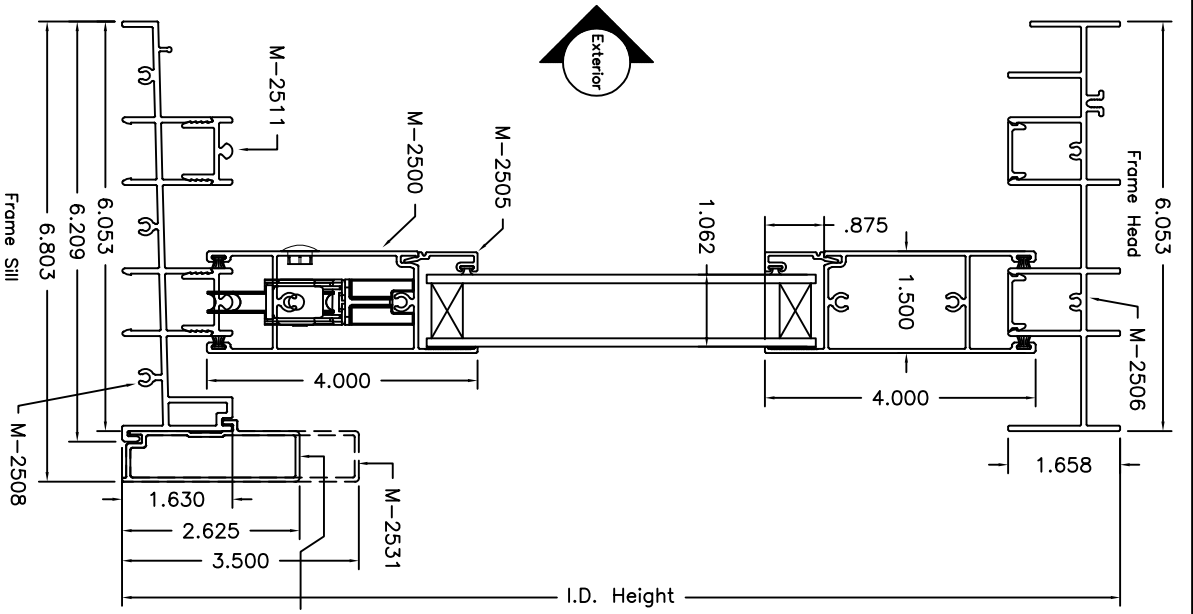


XP Shown, PX Opposite

Nominal Size	Door Frame Dimension	Rough Opening	Finished Opening
2-6 x 6-8	60" x 80"	60 1/2" x 80 1/2"	29 1/4"
3-0 x 6-8	72" x 80"	72 1/2" x 80 1/2"	35 1/4"
4-0 x 6-8	96" x 80"	96 1/2" x 80 1/2"	47 1/4"
2-6 x 8-0	60" x 96"	60 1/2" x 96 1/2"	29 1/4"
3-0 x 8-0	72" x 96"	72 1/2" x 96 1/2"	35 1/4"
4-0 x 8-0	96" x 96"	96 1/2" x 96 1/2"	47 1/4"
2-6 x 10-0	60" x 120"	60 1/2" x 120 1/2"	29 1/4"
3-0 x 10-0	72" x 120"	72 1/2" x 120 1/2"	35 1/4"
4-0 x 10-0	96" x 120"	96 1/2" x 120 1/2"	47 1/4"

MATERIAL:		UNSPECIFIED WALL:		<b>MIWD</b> MI WINDOWS AND DOORS 600 WEST MARKET STREET GAITHERSBURG, MD 20878		DESCRIPTION: Cross Sectional Drawing, IG Impact 2-Track XP, PX	
B	122A-17	Added 10-0 Heights	10/10/17	T.C.	FINISH:	SCALE: Half	DATE: 07/27/15
A	110C-16	Removed w-strip from panel interlock stile	08/10/16	T.C.	WEIGHT:	PRODUCT: Series 120P S.G.D.	PART NUMBER:
-	110B-16	Initial release of sectional drawing	07/22/16	T.C.	PERIMETER:	DFTM: T.C.	DRAWING NUMBER: CS-000138
LITERATURE:		REVISIONS:					

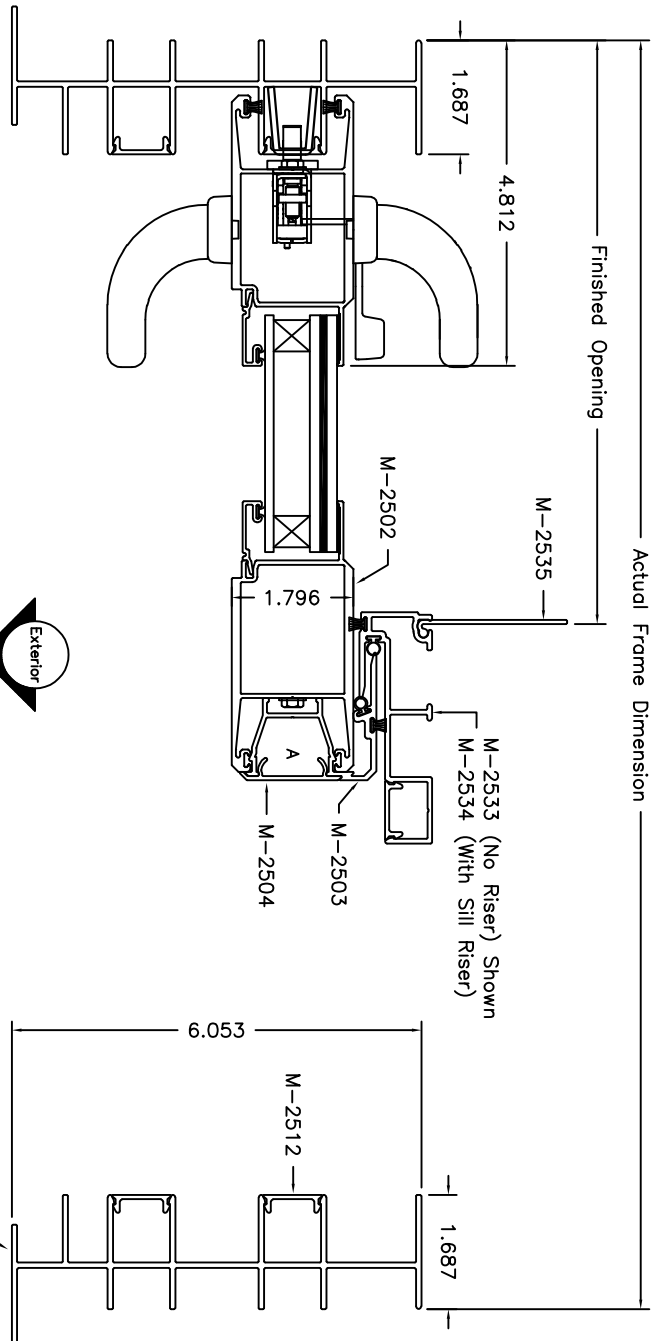
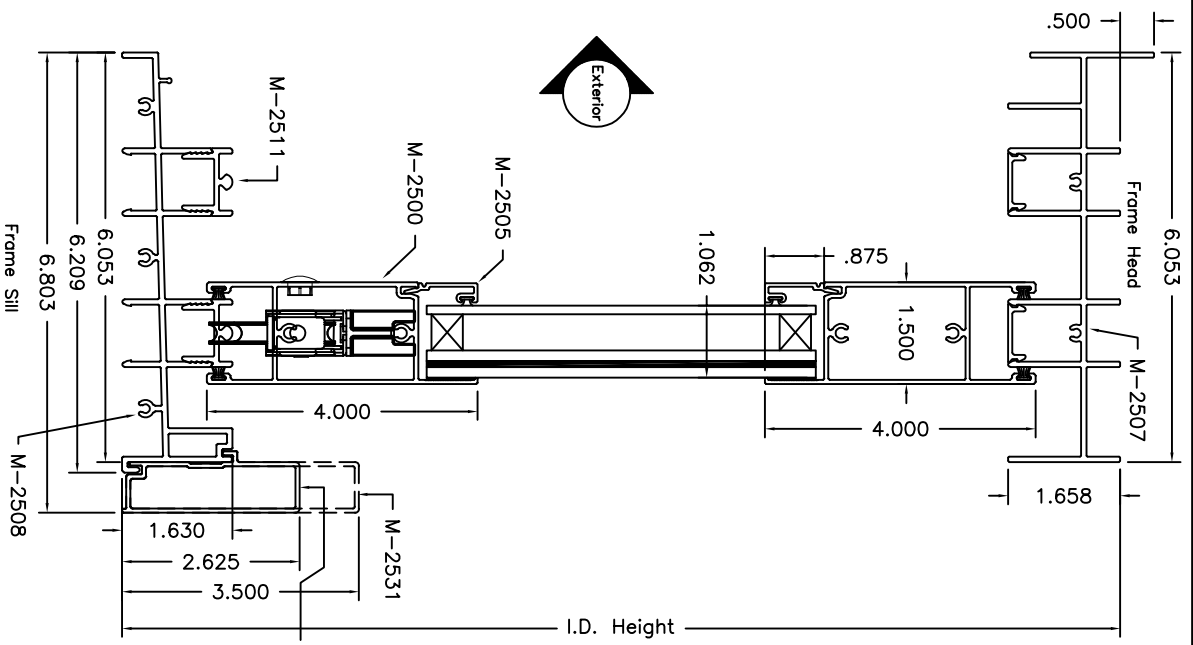
The information, design or data shown on this document or electronic media is the exclusive property of MI Windows and Doors, LLC. It is considered confidential and proprietary and is made available for limited use only. Its use or reproduction without the expressed written consent of MI Windows and Doors, LLC., is prohibited.



XP Shown, PX Opposite

Nominal Size	Door Frame Dimension	Rough Opening	Finished Opening
2-6 x 6-8	60" x 80"	60 1/2" x 80 1/2"	29 1/4"
3-0 x 6-8	72" x 80"	72 1/2" x 80 1/2"	35 1/4"
4-0 x 6-8	96" x 80"	96 1/2" x 80 1/2"	47 1/4"
2-6 x 8-0	60" x 96"	60 1/2" x 96 1/2"	29 1/4"
3-0 x 8-0	72" x 96"	72 1/2" x 96 1/2"	35 1/4"
4-0 x 8-0	96" x 96"	96 1/2" x 96 1/2"	47 1/4"
2-6 x 10-0	60" x 120"	60 1/2" x 120 1/2"	29 1/4"
3-0 x 10-0	72" x 120"	72 1/2" x 120 1/2"	35 1/4"
4-0 x 10-0	96" x 120"	96 1/2" x 120 1/2"	47 1/4"

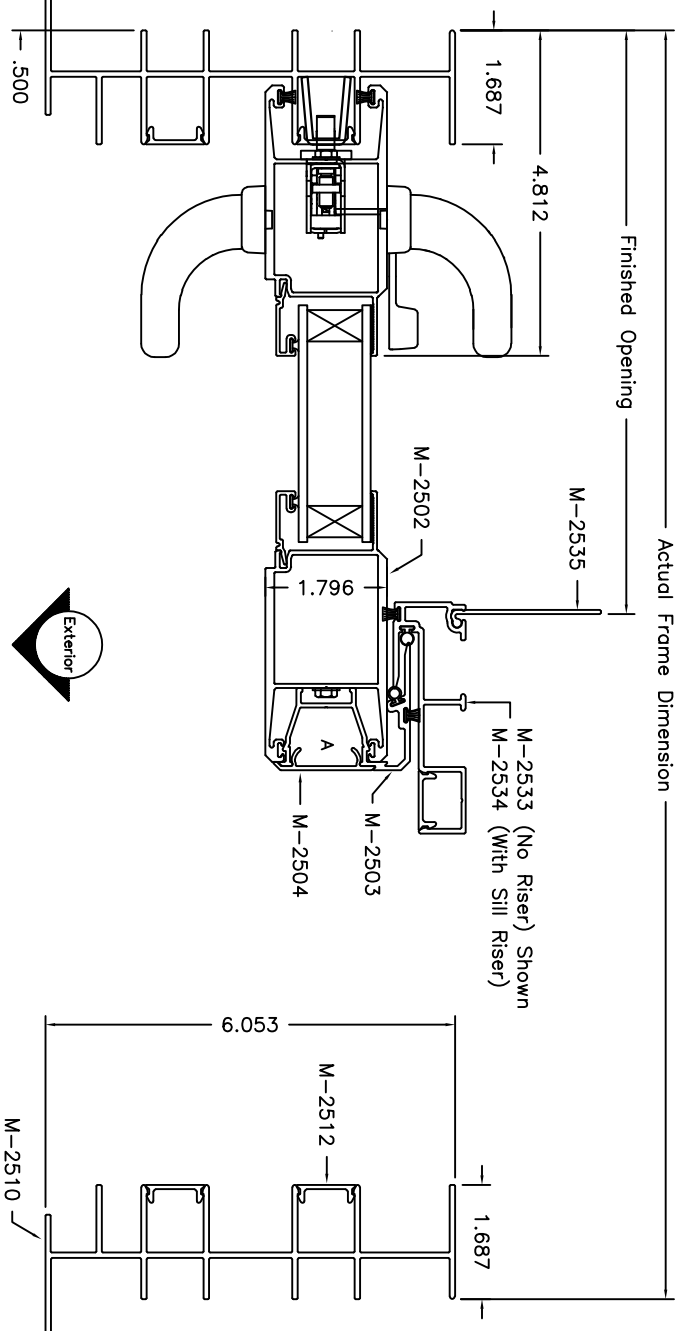
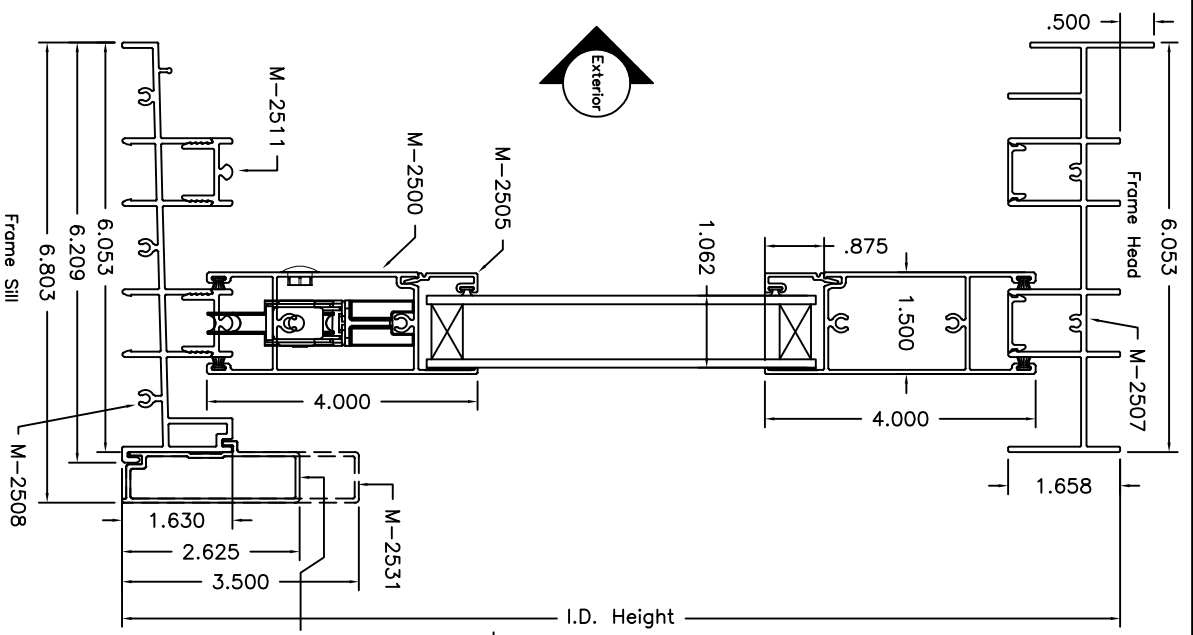
MATERIAL:		UNSPECIFIED WALL:		<b>MIWD</b> MI WINDOWS AND DOORS 600 WEST MARKET STREET GAITHERSBURG, MD 20878		DESCRIPTION: Cross Sectional Drawing, IG Non-Impact 2-Track XP, PX	
B	122A-17	Added 10-0 Heights	10/10/17	T.C.	FINISH:		
A	110C-16	Removed w-strip from panel interlock stile	08/10/16	T.C.	AREA:		
-	110B-16	Initial release of sectional drawing	07/22/16	T.C.	WEIGHT:	BREAK ALL CORNERS R015, UNLESS OTHERWISE SPECIFIED	
LTR	ECN #	REVISIONS	DATE	BY	PERMETER:	The information, design or data shown on this document or electronic media is the exclusive property of MI Windows and Doors, LLC. It is considered confidential and proprietary and is made available for limited use only. Its use or reproduction without the expressed written consent of MI Windows and Doors, LLC., is prohibited.	
SCALE: Half		PRODUCT: Series 120P S.G.D.		PART NUMBER:		DATE: 07/27/15	
DFTM: T.C.		DRAWING NUMBER: CS-000139		DATE:			



XP Shown, PX Opposite

Nominal Size	Door Frame Dimension	Rough Opening	Finished Opening
2-6 x 6-8	60" x 80"	60 1/2" x 80 1/2"	29 1/4"
3-0 x 6-8	72" x 80"	72 1/2" x 80 1/2"	35 1/4"
4-0 x 6-8	96" x 80"	96 1/2" x 80 1/2"	47 1/4"
2-6 x 8-0	60" x 96"	60 1/2" x 96 1/2"	29 1/4"
3-0 x 8-0	72" x 96"	72 1/2" x 96 1/2"	35 1/4"
4-0 x 8-0	96" x 96"	96 1/2" x 96 1/2"	47 1/4"
2-6 x 10-0	60" x 120"	60 1/2" x 120 1/2"	29 1/4"
3-0 x 10-0	72" x 120"	72 1/2" x 120 1/2"	35 1/4"
4-0 x 10-0	96" x 120"	96 1/2" x 120 1/2"	47 1/4"

MATERIAL:		UNSPECIFIED WALL:		<p>MI WINDOWS AND DOORS 400 WEST MARKET STREET GAITHERSBURG, MD 20878-1070</p> <p>The information, design or data shown on this document or electronic media is the exclusive property of MI Windows and Doors, LLC. It is considered confidential and proprietary and is made available for limited use only. Its use or reproduction without the expressed written consent of MI Windows and Doors, LLC, is prohibited.</p>		DESCRIPTION: Cross Sectional Drawing, IG Impact			
FINISH:		AREC				PRODUCT: Series 120P S.G.D.		DATE: 07/27/15	
WEIGHT:		PERIMETER:				SCALE: Half		PART NUMBER:	
REVISIONS:		DATE				BY		DRAWING NUMBER: CS-000141	
B	122A-17	Added 10-0 Heights		10/10/17	T.C.				
A	110C-16	Removed w-strip from panel interlock stile		08/10/16	T.C.				
-	110B-16	Initial release of sectional drawing		07/22/16	T.C.				
LITER		ECN #		DATE		BY			



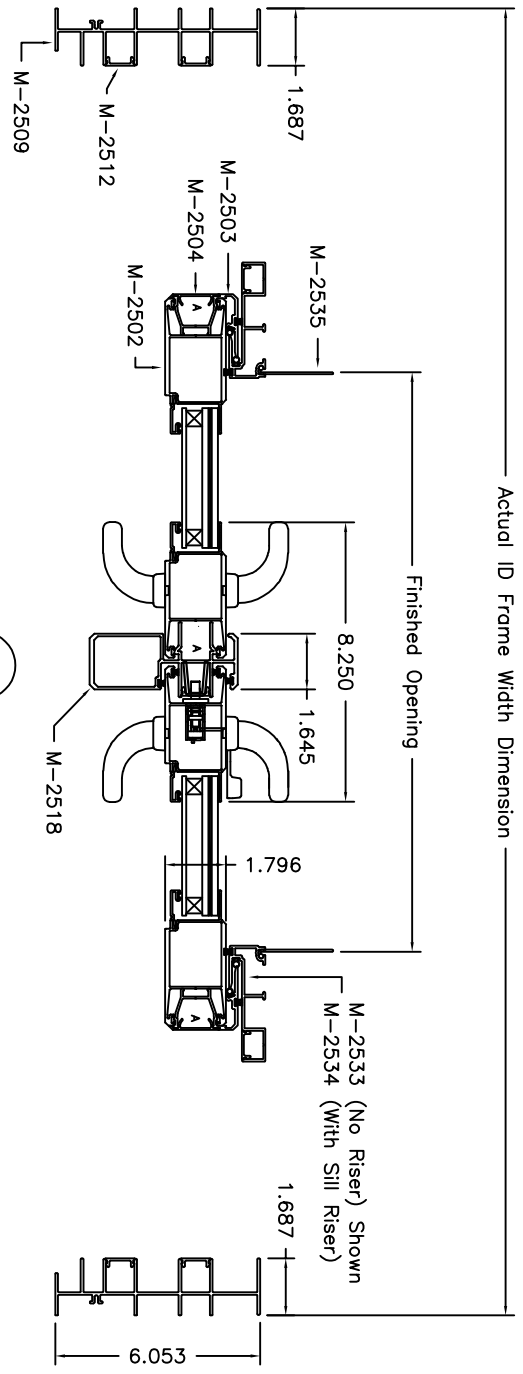
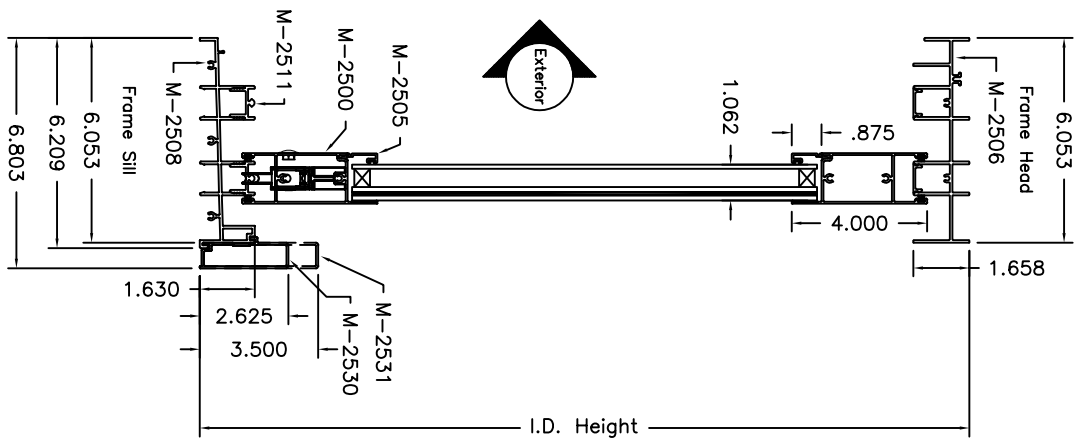
XP Shown, PX Opposite

Nominal Size	Door Frame Dimension	Rough Opening	Finished Opening
2-6 x 6-8	60" x 80"	60 1/2" x 80 1/2"	29 1/4"
3-0 x 6-8	72" x 80"	72 1/2" x 80 1/2"	35 1/4"
4-0 x 6-8	96" x 80"	96 1/2" x 80 1/2"	47 1/4"
2-6 x 8-0	60" x 96"	60 1/2" x 96 1/2"	29 1/4"
3-0 x 8-0	72" x 96"	72 1/2" x 96 1/2"	35 1/4"
4-0 x 8-0	96" x 96"	96 1/2" x 96 1/2"	47 1/4"
2-6 x 10-0	60" x 120"	60 1/2" x 120 1/2"	29 1/4"
3-0 x 10-0	72" x 120"	72 1/2" x 120 1/2"	35 1/4"
4-0 x 10-0	96" x 120"	96 1/2" x 120 1/2"	47 1/4"


MATERIAL:		FINISH:		UNSPECIFIED WALL:		 <b>MI WINDOWS AND DOORS</b> <small>400 WEST MARKET STREET GAITHERSBURG, MD 20878</small>		DESCRIPTION: Cross Sectional Drawing, IG Non-Impact	
B 122A-17 Added 10-0 Heights		10/10/17 T.C.						2-Track XP, PX Flange	
A 110C-16 Removed w-strip from panel interlock stile		08/10/16 T.C.						PRODUCT: Series 120P S.G.D.	
- 110B-16 Initial release of sectional drawing		07/22/16 T.C.						SCALE: Half	
LITER ECN #		DATE		BY		PERMETER:		PART NUMBER:	
REVISIONS								DRAWING NUMBER: CS-000142	
								DATE: 07/27/15	

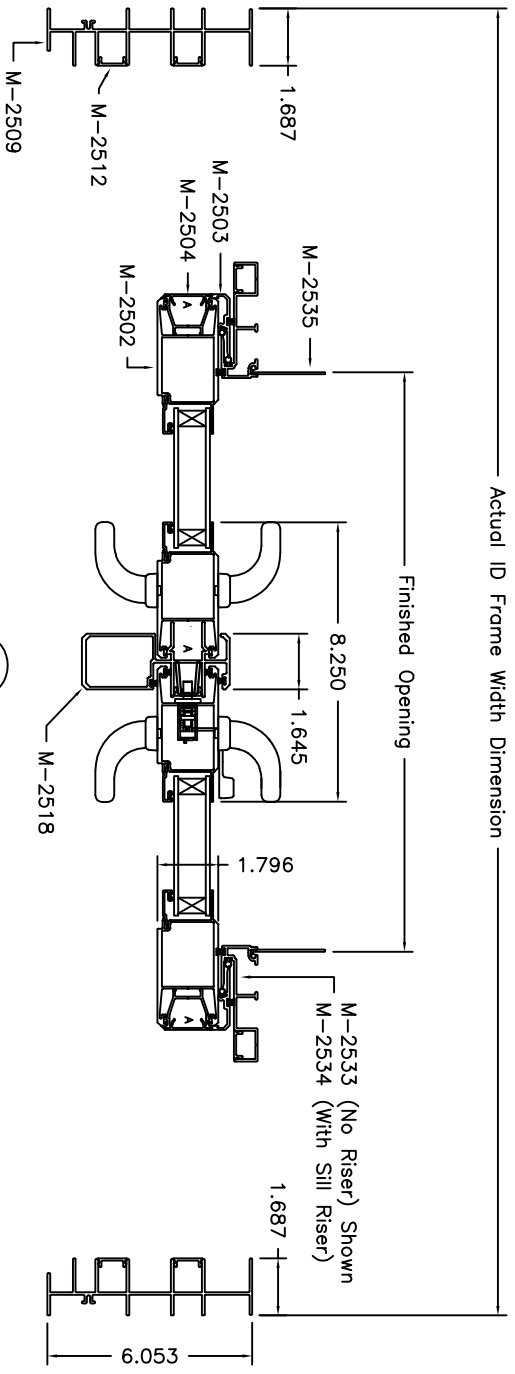
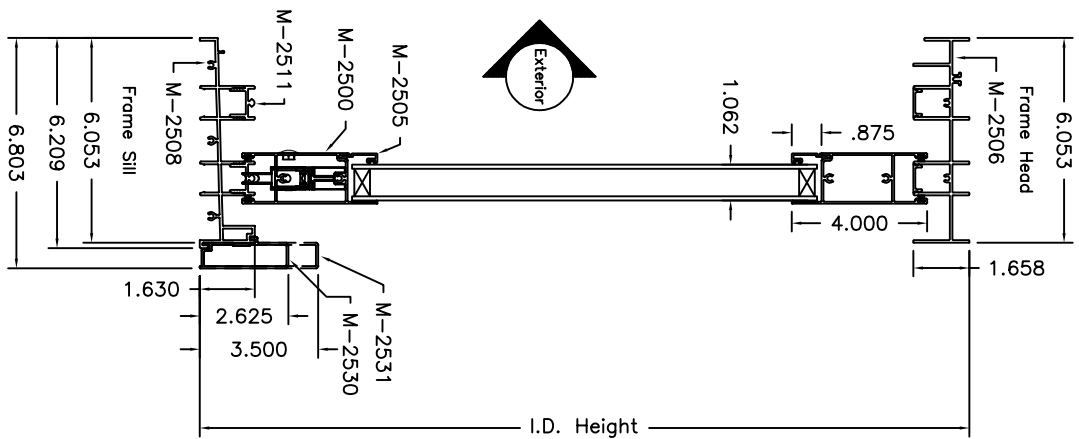
The information, design or data shown on this document or electronic media is the exclusive property of MI Windows and Doors, LLC. It is considered confidential and proprietary and is made available for limited use only. Its use or reproduction without the expressed written consent of MI Windows and Doors, LLC, is prohibited.





Nominal Size	Door Frame Dimension	Rough Opening	Finished Opening
5-0 x 6-8	118 5/8" x 80"	119 1/8" x 80 1/2"	57 1/8"
6-0 x 6-8	142 5/8" x 80"	143 1/8" x 80 1/2"	69 1/8"
8-0 x 6-8	190 5/8" x 80"	191 1/8" x 80 1/2"	93 1/8"
5-0 x 8-0	118 5/8" x 96"	119 1/8" x 96 1/2"	57 1/8"
6-0 x 8-0	142 5/8" x 96"	143 1/8" x 96 1/2"	69 1/8"
8-0 x 8-0	190 5/8" x 96"	191 1/8" x 96 1/2"	93 1/8"
5-0 x 10-0	118 5/8" x 120"	119 1/8" x 120 1/2"	57 1/8"
6-0 x 10-0	142 5/8" x 120"	143 1/8" x 120 1/2"	69 1/8"
8-0 x 10-0	190 5/8" x 120"	191 1/8" x 120 1/2"	93 1/8"

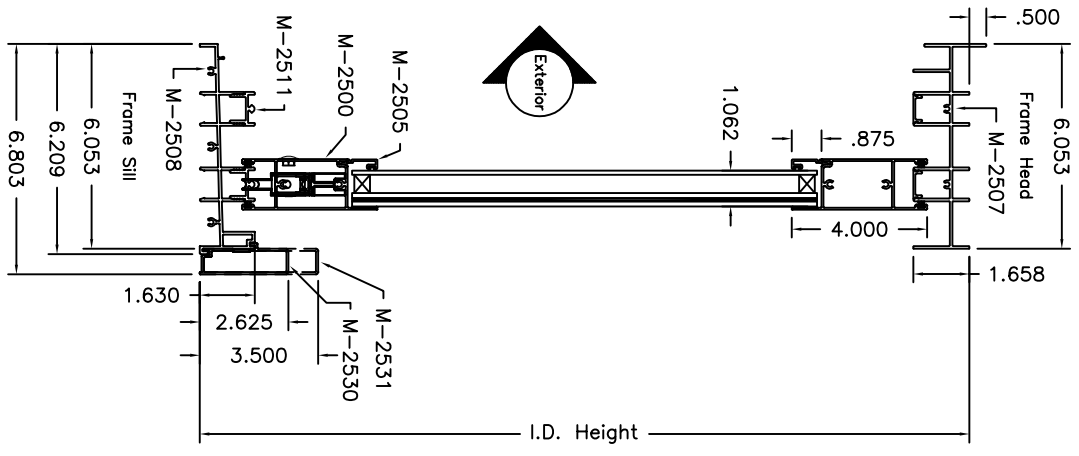
MATERIAL: Aluminum		FINISH: AREA:		UNSPECIFIED WALL:		 <b>MIND</b> MI WINDOWS AND DOORS <small>600 WEST MARKET STREET GAITHERSBURG, MD 20878-0370</small>		DESCRIPTION: Cross Sectional Drawing PXXP, Finless, IG Impact			
B	122A-17	Added 10-0 Heights	10/10/17	T.C.				PRODUCT: 120P	SCALE: 1 : 4	PART NUMBER:	DATE: 07/28/15
A	110C-16	Removed w-strip from panel snap stiles	08/10/16	T.C.							
-	110B-16	Initial release of sectional drawing	07/22/16	T.C.							
LITER		ECN #	REVISIONS	DATE	BY	PERMETER:		DFTM: T.C.		DRAWING NUMBER: CS-000144	



Nominal Size	Door Frame Dimension	Rough Opening	Finished Opening
5-0 x 6-8	118 5/8" x 80"	119 1/8" x 80 1/2"	57 1/8"
6-0 x 6-8	142 5/8" x 80"	143 1/8" x 80 1/2"	69 1/8"
8-0 x 6-8	190 5/8" x 80"	191 1/8" x 80 1/2"	93 1/8"
5-0 x 8-0	118 5/8" x 96"	119 1/8" x 96 1/2"	57 1/8"
6-0 x 8-0	142 5/8" x 96"	143 1/8" x 96 1/2"	69 1/8"
8-0 x 8-0	190 5/8" x 96"	191 1/8" x 96 1/2"	93 1/8"
5-0 x 10-0	118 5/8" x 120"	119 1/8" x 120 1/2"	57 1/8"
6-0 x 10-0	142 5/8" x 120"	143 1/8" x 120 1/2"	69 1/8"
8-0 x 10-0	190 5/8" x 120"	191 1/8" x 120 1/2"	93 1/8"

MATERIAL: Aluminum		FINISH: AREC		UNSPECIFIED WALL:		MATERIAL: Aluminum		FINISH: AREC		UNSPECIFIED WALL:	
B 122A-17 Added 10-0 Heights		10/11/17 T.C.				B 122A-17 Added 10-0 Heights		10/11/17 T.C.			
A 110C-16 Removed w-strip from panel snap stiles		08/10/16 T.C.				A 110C-16 Removed w-strip from panel snap stiles		08/10/16 T.C.			
- 110B-16 Initial release of sectional drawing		07/22/16 T.C.				- 110B-16 Initial release of sectional drawing		07/22/16 T.C.			
LTR ECN #		DATE		BY		LTR ECN #		DATE		BY	
REVISIONS		DATE		BY		REVISIONS		DATE		BY	
PERMETER:		PERMETER:		PERMETER:		PERMETER:		PERMETER:		PERMETER:	
WEIGHT:		WEIGHT:		WEIGHT:		WEIGHT:		WEIGHT:		WEIGHT:	
BREAK ALL CORNERS R015, UNLESS OTHERWISE SPECIFIED		BREAK ALL CORNERS R015, UNLESS OTHERWISE SPECIFIED		BREAK ALL CORNERS R015, UNLESS OTHERWISE SPECIFIED		BREAK ALL CORNERS R015, UNLESS OTHERWISE SPECIFIED		BREAK ALL CORNERS R015, UNLESS OTHERWISE SPECIFIED		BREAK ALL CORNERS R015, UNLESS OTHERWISE SPECIFIED	
The information, design or data shown on this document or electronic media is the exclusive property of MI Windows and Doors, LLC. It is considered confidential and proprietary and is made available for limited use only. Its use or reproduction without the expressed written consent of MI Windows and Doors, LLC, is prohibited.		The information, design or data shown on this document or electronic media is the exclusive property of MI Windows and Doors, LLC. It is considered confidential and proprietary and is made available for limited use only. Its use or reproduction without the expressed written consent of MI Windows and Doors, LLC, is prohibited.		The information, design or data shown on this document or electronic media is the exclusive property of MI Windows and Doors, LLC. It is considered confidential and proprietary and is made available for limited use only. Its use or reproduction without the expressed written consent of MI Windows and Doors, LLC, is prohibited.		The information, design or data shown on this document or electronic media is the exclusive property of MI Windows and Doors, LLC. It is considered confidential and proprietary and is made available for limited use only. Its use or reproduction without the expressed written consent of MI Windows and Doors, LLC, is prohibited.		The information, design or data shown on this document or electronic media is the exclusive property of MI Windows and Doors, LLC. It is considered confidential and proprietary and is made available for limited use only. Its use or reproduction without the expressed written consent of MI Windows and Doors, LLC, is prohibited.		The information, design or data shown on this document or electronic media is the exclusive property of MI Windows and Doors, LLC. It is considered confidential and proprietary and is made available for limited use only. Its use or reproduction without the expressed written consent of MI Windows and Doors, LLC, is prohibited.	
DESCRIPTION: Cross Sectional Drawing		DESCRIPTION: Cross Sectional Drawing		DESCRIPTION: Cross Sectional Drawing		DESCRIPTION: Cross Sectional Drawing		DESCRIPTION: Cross Sectional Drawing		DESCRIPTION: Cross Sectional Drawing	
PXXP, Finless, IG Non-Impact		PXXP, Finless, IG Non-Impact		PXXP, Finless, IG Non-Impact		PXXP, Finless, IG Non-Impact		PXXP, Finless, IG Non-Impact		PXXP, Finless, IG Non-Impact	
SCALE: 1 : 4		SCALE: 1 : 4		SCALE: 1 : 4		SCALE: 1 : 4		SCALE: 1 : 4		SCALE: 1 : 4	
PART NUMBER:		PART NUMBER:		PART NUMBER:		PART NUMBER:		PART NUMBER:		PART NUMBER:	
DRAWING NUMBER: CS-000145		DRAWING NUMBER: CS-000145		DRAWING NUMBER: CS-000145		DRAWING NUMBER: CS-000145		DRAWING NUMBER: CS-000145		DRAWING NUMBER: CS-000145	
DATE: 07/28/15		DATE: 07/28/15		DATE: 07/28/15		DATE: 07/28/15		DATE: 07/28/15		DATE: 07/28/15	



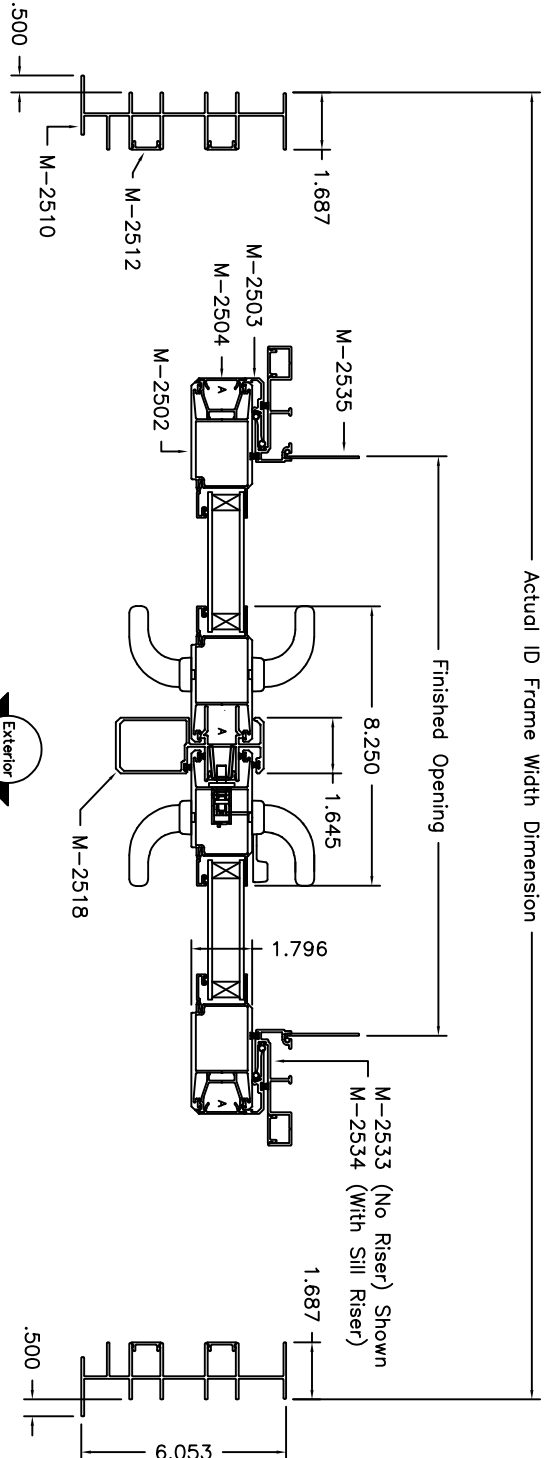
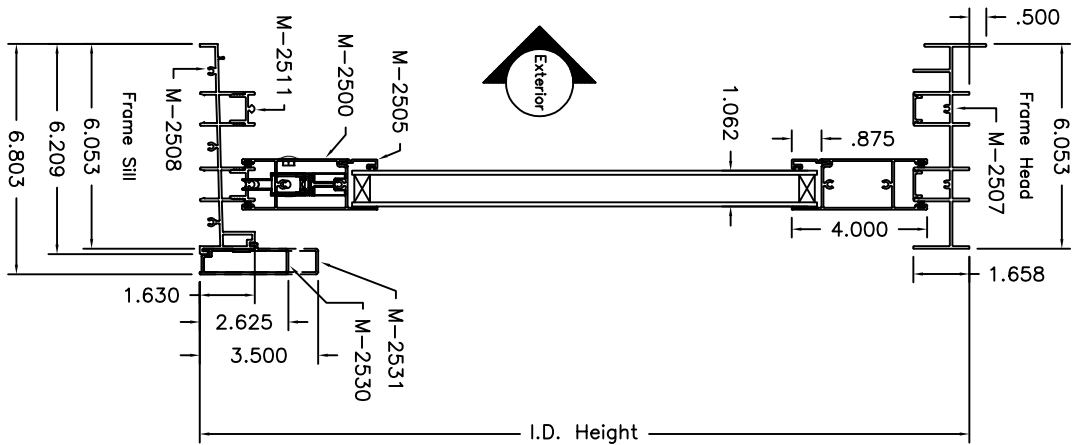


Nominal Size	Door Frame Dimension	Rough Opening	Finished Opening
5-0 x 6-8	118 5/8" x 80"	119 1/8" x 80 1/2"	57 1/8"
6-0 x 6-8	142 5/8" x 80"	143 1/8" x 80 1/2"	69 1/8"
8-0 x 6-8	190 5/8" x 80"	191 1/8" x 80 1/2"	93 1/8"
5-0 x 8-0	118 5/8" x 96"	119 1/8" x 96 1/2"	57 1/8"
6-0 x 8-0	142 5/8" x 96"	143 1/8" x 96 1/2"	69 1/8"
8-0 x 8-0	190 5/8" x 96"	191 1/8" x 96 1/2"	93 1/8"
5-0 x 10-0	118 5/8" x 120"	119 1/8" x 120 1/2"	57 1/8"
6-0 x 10-0	142 5/8" x 120"	143 1/8" x 120 1/2"	69 1/8"
8-0 x 10-0	190 5/8" x 120"	191 1/8" x 120 1/2"	93 1/8"

MATERIAL: Aluminum		FINISH: ANEK		UNSPECIFIED WALL:		DESCRIPTION: Cross Sectional Drawing PXXP, Flange, IG Impact	
B 122A-17 Added 10-0 Heights		10/11/17 T.C.				DATE: 07/28/15	
A 110C-16 Removed w-strip from panel snap stiles		08/10/16 T.C.				SCALE: 1 : 4	
- 110B-16 Initial release of sectional drawing		07/22/16 T.C.				PART NUMBER:	
LTR ECN #		DATE		BY		DRAWING NUMBER: CS-000147	
REVISIONS				PERMETER:			

**MIND** MI WINDOWS AND DOORS  
600 WEST MARKET STREET GAITHERSBURG, MD 20878

The information, design or data shown on this document or electronic media is the exclusive property of MI Windows and Doors, LLC. It is considered confidential and proprietary and is made available for limited use only. Its use or reproduction without the expressed written consent of MI Windows and Doors, LLC, is prohibited.

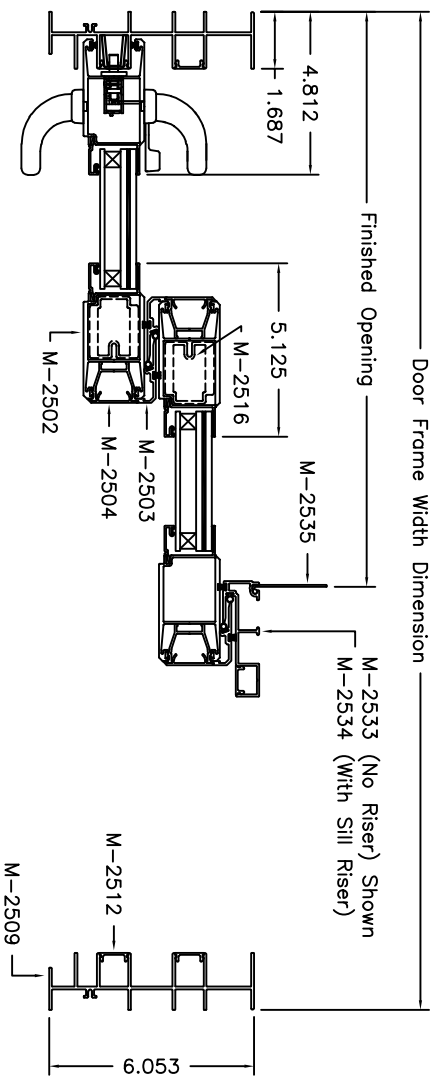
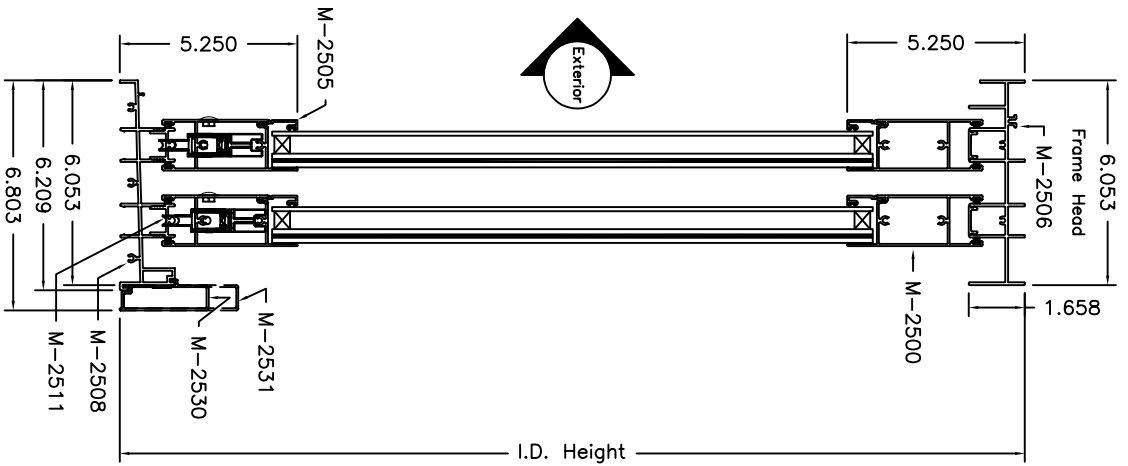


Nominal Size	Door Frame Dimension	Rough Opening	Finished Opening
5-0 x 6-8	118 5/8" x 80"	119 1/8" x 80 1/2"	57 1/8"
6-0 x 6-8	142 5/8" x 80"	143 1/8" x 80 1/2"	69 1/8"
8-0 x 6-8	190 5/8" x 80"	191 1/8" x 80 1/2"	93 1/8"
5-0 x 8-0	118 5/8" x 96"	119 1/8" x 96 1/2"	57 1/8"
6-0 x 8-0	142 5/8" x 96"	143 1/8" x 96 1/2"	69 1/8"
8-0 x 8-0	190 5/8" x 96"	191 1/8" x 96 1/2"	93 1/8"
5-0 x 10-0	118 5/8" x 120"	119 1/8" x 120 1/2"	57 1/8"
6-0 x 10-0	142 5/8" x 120"	143 1/8" x 120 1/2"	69 1/8"
8-0 x 10-0	190 5/8" x 120"	191 1/8" x 120 1/2"	93 1/8"

MATERIAL: Aluminum		FINISH: ANEK		UNSPECIFIED WALL:		DESCRIPTION: Cross Sectional Drawing PXXR, Flange, IG Non-Impact	
B 122A-17 Added 10-0 Heights		10/11/17 T.C.				PRODUCT: 120P	
A 110C-16 Removed w-strip from panel snap stilts		08/10/16 T.C.				SCALE: 1 : 4	
- 110B-16 Initial release of sectional drawing		07/22/16 T.C.				PART NUMBER:	
LTR ECN #		DATE		BY		DRAWING NUMBER: CS-000148	
REVISIONS		DATE		BY		DATE: 07/28/15	



The information, design or data shown on this document or electronic media is the exclusive property of MI Windows and Doors, LLC. It is considered confidential and proprietary and is made available for limited use only. Its use or reproduction without the expressed written consent of MI Windows and Doors, LLC., is prohibited.

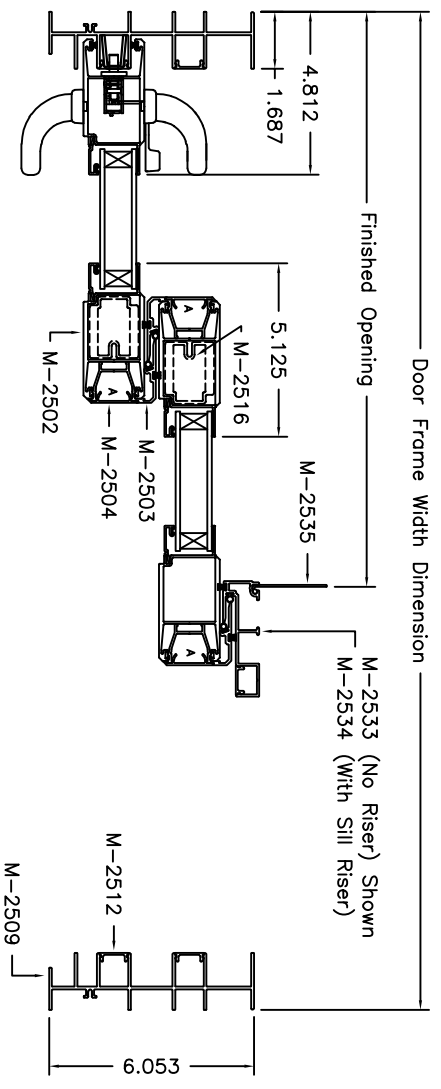
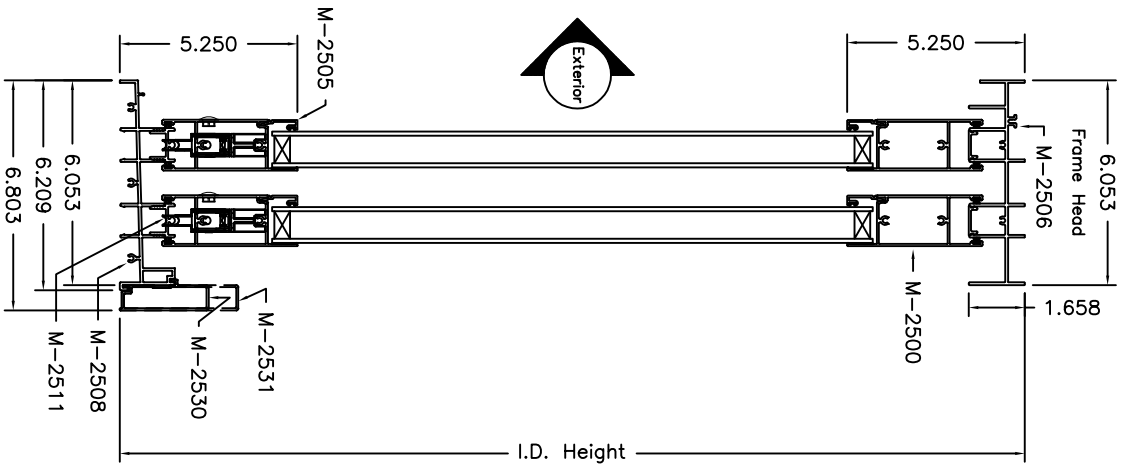


XIP Shown, PIX Opposite

Nominal Size	Door Frame Dimension	Rough Opening	Finished Opening
5-0 x 6-8	89 1/2" x 80"	90" x 80 1/2"	57"
6-0 x 6-8	107 1/2" x 80"	108" x 80 1/2"	69"
8-0 x 6-8	143 1/2" x 80"	144" x 80 1/2"	93"
5-0 x 8-0	89 1/2" x 96"	90" x 96 1/2"	57"
6-0 x 8-0	107 1/2" x 96"	108" x 96 1/2"	69"
8-0 x 8-0	143 1/2" x 96"	144" x 96 1/2"	93"
5-0 x 10-0	89 1/2" x 120"	90" x 120 1/2"	57"
6-0 x 10-0	107 1/2" x 120"	108" x 120 1/2"	69"
8-0 x 10-0	143 1/2" x 120"	144" x 120 1/2"	93"

MATERIAL: Aluminum		FINISH: AREA:		UNSPECIFIED WALL:				DESCRIPTION: Cross Sectional Drawing	
B 122A-17 Added 10-0 Heights		10/11/17 T.C.						XIP or PIX, Finless, IG Impact	
A 110C-16 Removed w-strip snosp panel snop stiles		08/10/16 T.C.						PRODUCT: 120P	
- 110B-16 Initial release of sectional drawing		07/22/16 T.C.						SCALE: 1 : 4	
LITER ECN #		DATE		BY		PERMETER:		PART NUMBER:	
		REVISIONS						DRAWING NUMBER: CS-000150	
								DATE: 07/28/15	

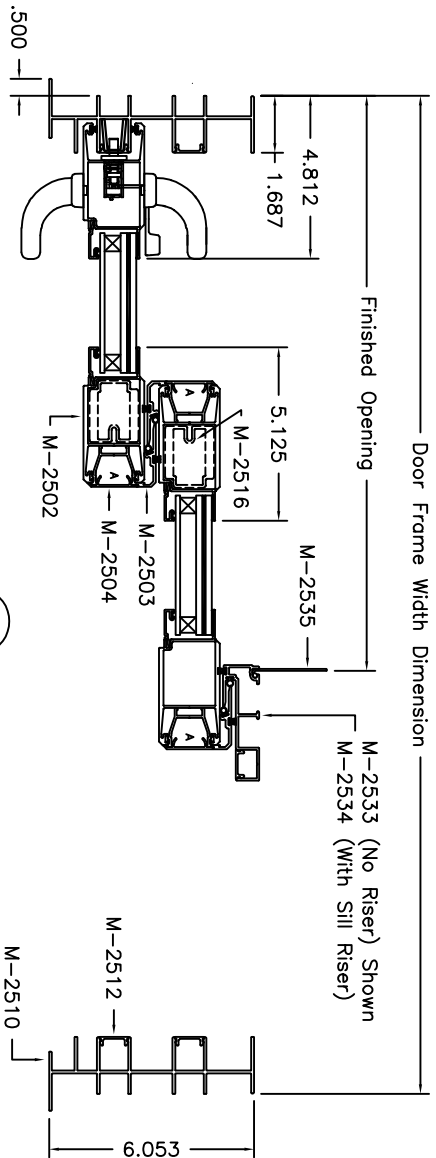
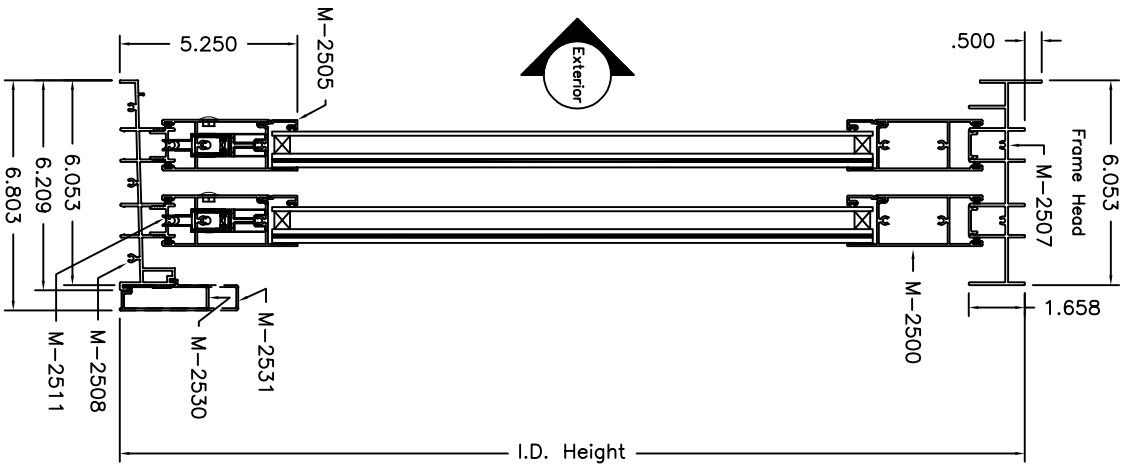
The information, design or data shown on this document or electronic media is the exclusive property of MI Windows and Doors, LLC. It is considered confidential and proprietary and is made available for limited use only. Its use or reproduction without the expressed written consent of MI Windows and Doors, LLC., is prohibited.



XIP Shown, PIX Opposite

Nominal Size	Door Frame Dimension	Rough Opening	Finished Opening
5-0 x 6-8	89 1/2" x 80"	90" x 80 1/2"	57"
6-0 x 6-8	107 1/2" x 80"	108" x 80 1/2"	69"
8-0 x 6-8	143 1/2" x 80"	144" x 80 1/2"	93"
5-0 x 8-0	89 1/2" x 96"	90" x 96 1/2"	57"
6-0 x 8-0	107 1/2" x 96"	108" x 96 1/2"	69"
8-0 x 8-0	143 1/2" x 96"	144" x 96 1/2"	93"
5-0 x 10-0	89 1/2" x 120"	90" x 120 1/2"	57"
6-0 x 10-0	107 1/2" x 120"	108" x 120 1/2"	69"
8-0 x 10-0	143 1/2" x 120"	144" x 120 1/2"	93"

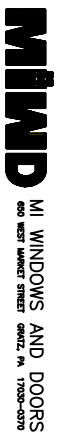
MATERIAL: Aluminum		UNSPECIFIED WALL:				DESCRIPTION: Cross Sectional Drawing	
FINISH:		PERIMETER:		<p>400 WEST MARKET STREET GAITHERSBURG, MD 20878-1000</p>		XIP or PIX, Finless, IG Non-Impact	
AREA:		WEIGHT:		<p>The information, design or data shown on this document or electronic media is the exclusive property of MI Windows and Doors, LLC. It is considered confidential and proprietary and is made available for limited use only. Its use or reproduction without the expressed written consent of MI Windows and Doors, LLC, is prohibited.</p>		PRODUCT: 120P	
T.C.:		T.C.:		SCALE: 1 : 4		PART NUMBER:	
T.C.:		T.C.:		DATE: 07/28/15		DRAWING NUMBER: CS-000151	
DATE:		DATE:		DFTM: T.C.			
REVISIONS:		REVISIONS:					
Initial release of sectional drawing		Initial release of sectional drawing					
Removed w-strip from panel snap stiles		Removed w-strip from panel snap stiles					
Added 10-0 Heights		Added 10-0 Heights					
110C-16		110C-16					
122A-17		122A-17					
ECN #		ECN #					

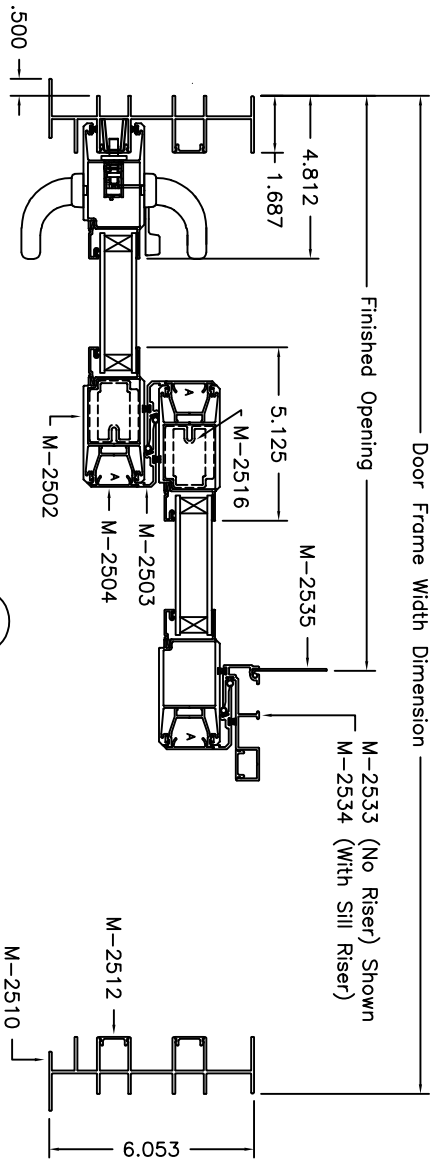
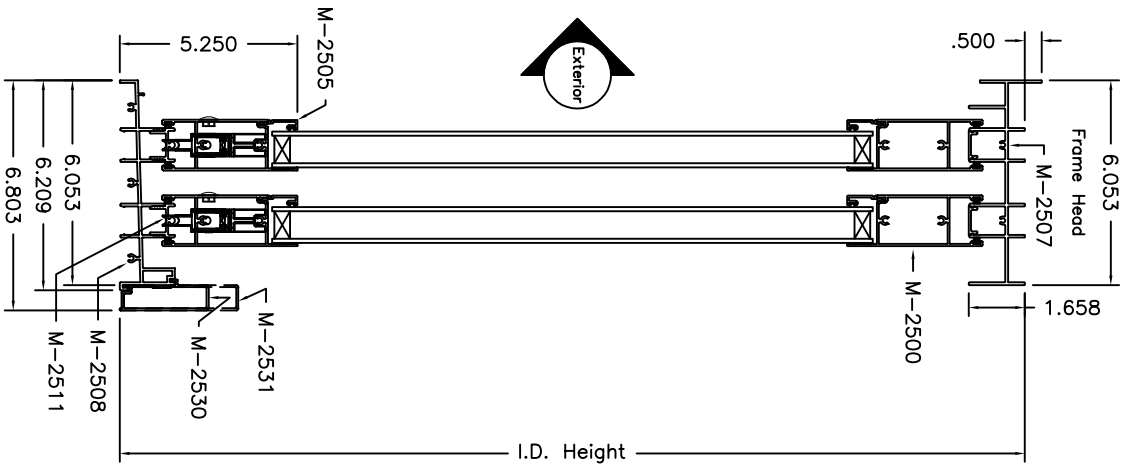


Nominal Size	Door Frame Dimension	Rough Opening	Finished Opening
5-0 x 6-8	89 1/2" x 80"	90" x 80 1/2"	57"
6-0 x 6-8	107 1/2" x 80"	108" x 80 1/2"	69"
8-0 x 6-8	143 1/2" x 80"	144" x 80 1/2"	93"
5-0 x 8-0	89 1/2" x 96"	90" x 96 1/2"	57"
6-0 x 8-0	107 1/2" x 96"	108" x 96 1/2"	69"
8-0 x 8-0	143 1/2" x 96"	144" x 96 1/2"	93"
5-0 x 10-0	89 1/2" x 120"	90" x 120 1/2"	57"
6-0 x 10-0	107 1/2" x 120"	108" x 120 1/2"	69"
8-0 x 10-0	143 1/2" x 120"	144" x 120 1/2"	93"

XIP Shown, PIX Opposite

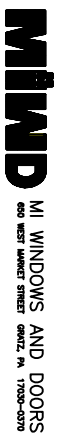
MATERIAL: Aluminum		FINISH: ANEK		UNSPECIFIED WALL:		BREAK ALL CORNERS R.015, UNLESS OTHERWISE SPECIFIED		The information, design or data shown on this document or electronic media is the exclusive property of MI Windows and Doors, LLC. It is considered confidential and proprietary and is made available for limited use only. Its use or reproduction without the expressed written consent of MI Windows and Doors, LLC., is prohibited.		DESCRIPTION: Cross Sectional Drawing XIP or PIX, Flange, IG Impact	
A 110C-16		Removed w-strip from panel interlock stile		08/10/16 T.C.		WEIGHT:		PRODUCT: 120P		SCALE: 1 : 4	
- 110B-16		Initial release of sectional drawing		07/22/16 T.C.		PERIMETER:		PART NUMBER:		DATE: 07/29/15	
ECN #		REVISIONS		DATE		BY		DRAWING NUMBER: CS-000153			





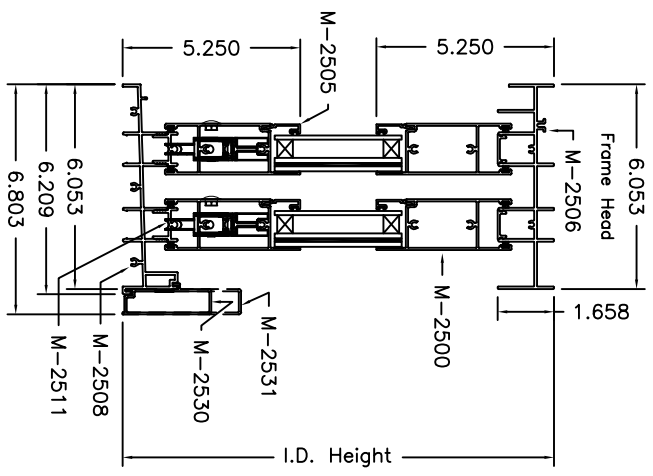
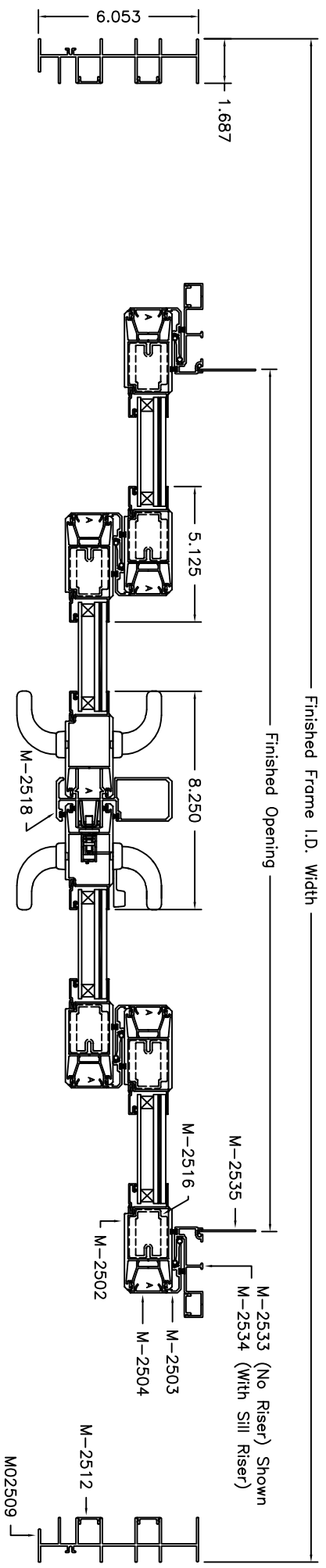
XIP Shown, PIX Opposite

Nominal Size	Door Frame Dimension	Rough Opening	Finished Opening
5-0 x 6-8	89 1/2" x 80"	90" x 80 1/2"	57"
6-0 x 6-8	107 1/2" x 80"	108" x 80 1/2"	69"
8-0 x 6-8	143 1/2" x 80"	144" x 80 1/2"	93"
5-0 x 8-0	89 1/2" x 96"	90" x 96 1/2"	57"
6-0 x 8-0	107 1/2" x 96"	108" x 96 1/2"	69"
8-0 x 8-0	143 1/2" x 96"	144" x 96 1/2"	93"
5-0 x 10-0	89 1/2" x 120"	90" x 120 1/2"	57"
6-0 x 10-0	107 1/2" x 120"	108" x 120 1/2"	69"
8-0 x 10-0	143 1/2" x 120"	144" x 120 1/2"	93"

MATERIAL: Aluminum		FINISH: AREA:		UNSPECIFIED WALL:		 <small>400 WEST MARKET STREET GAITHERSBURG, MD 20878</small>		DESCRIPTION: Cross Sectional Drawing	
B 122A-17 Added 10-0 Heights		10/11/17 T.C.						XIP or PIX, Flange, IG Non-Impact	
A 110C-16 Removed w-strip from panel interlock stile		08/11/16 T.C.						PRODUCT: 120P	
- 110B-16 Initial release of sectional drawing		07/22/16 T.C.						SCALE: 1 : 4	
REVISIONS		DATE		BY		PERMETER:		PART NUMBER:	
LTR		ECN #						DRAWING NUMBER: CS-000154	
								DATE: 07/29/15	

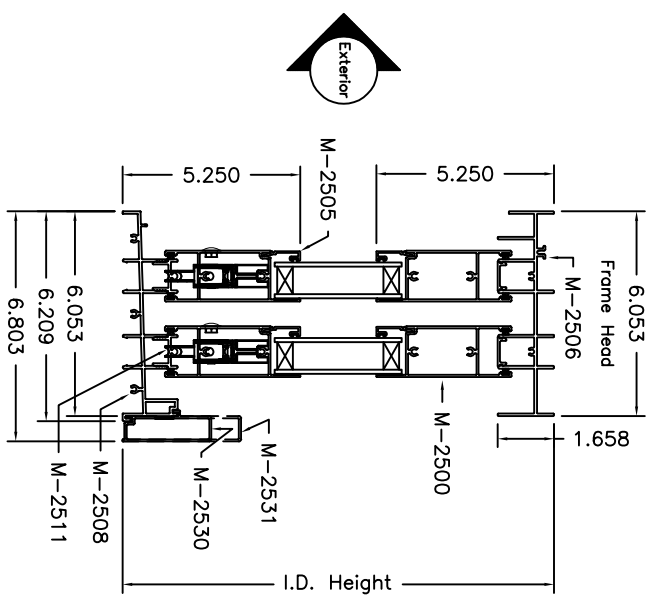
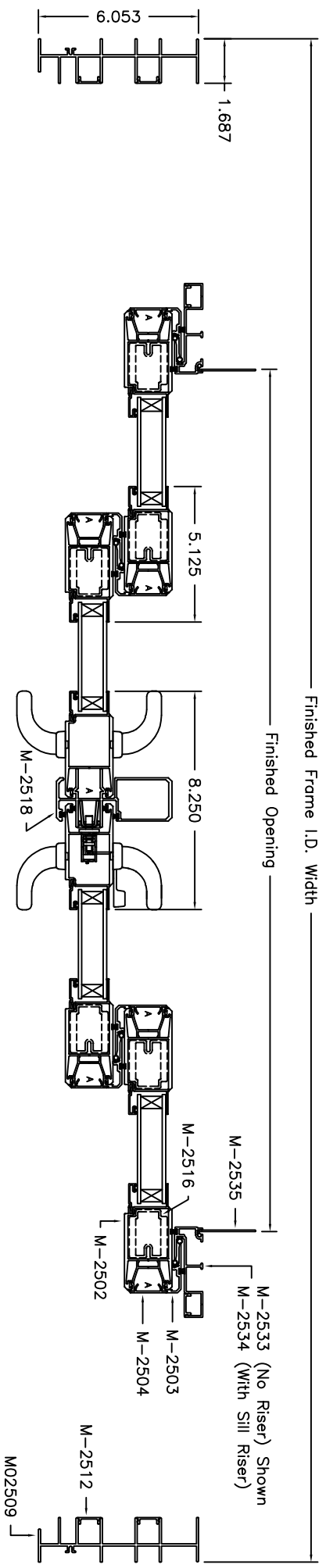
The information, design or data shown on this document or electronic media is the exclusive property of MI Windows and Doors, LLC. It is considered confidential and proprietary and is made available for limited use only. Its use or reproduction without the expressed written consent of MI Windows and Doors, LLC, is prohibited.





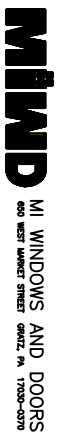
Nominal Size	Door Frame ID Dimension	Rough Opening	Finished Opening
10-0 x 6-8	177 5/8" x 80"	178 1/8" x 80 1/2"	112 5/8"
12-0 x 6-8	213 5/8" x 80"	214 1/8" x 80 1/2"	136 5/8"
16-0 x 6-8	285 5/8" x 80"	286 1/8" x 80 1/2"	184 5/8"
10-0 x 8-0	177 5/8" x 96"	178 1/8" x 96 1/2"	112 5/8"
12-0 x 8-0	213 5/8" x 96"	214 1/8" x 96 1/2"	136 5/8"
16-0 x 8-0	285 5/8" x 96"	286 1/8" x 96 1/2"	184 5/8"
10-0 x 10-0	177 5/8" x 120"	178 1/8" x 120 1/2"	112 5/8"
12-0 x 10-0	213 5/8" x 120"	214 1/8" x 120 1/2"	136 5/8"
16-0 x 10-0	285 5/8" x 120"	286 1/8" x 120 1/2"	184 5/8"

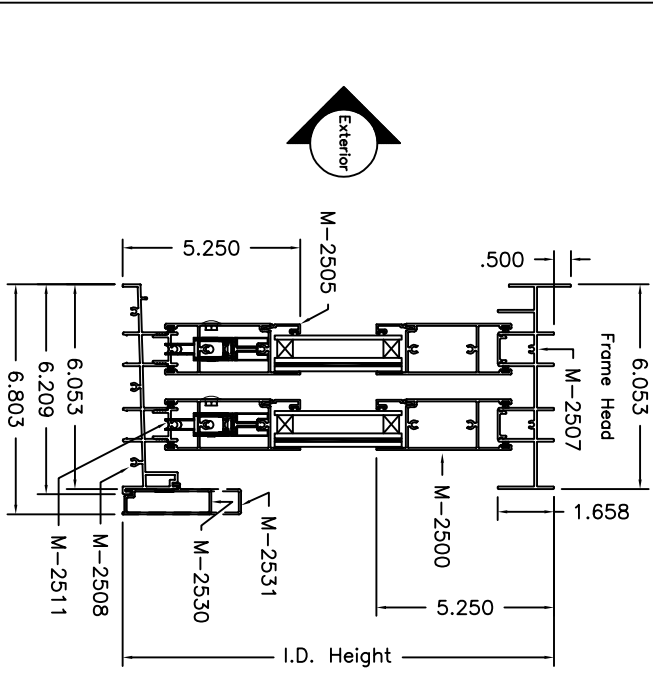
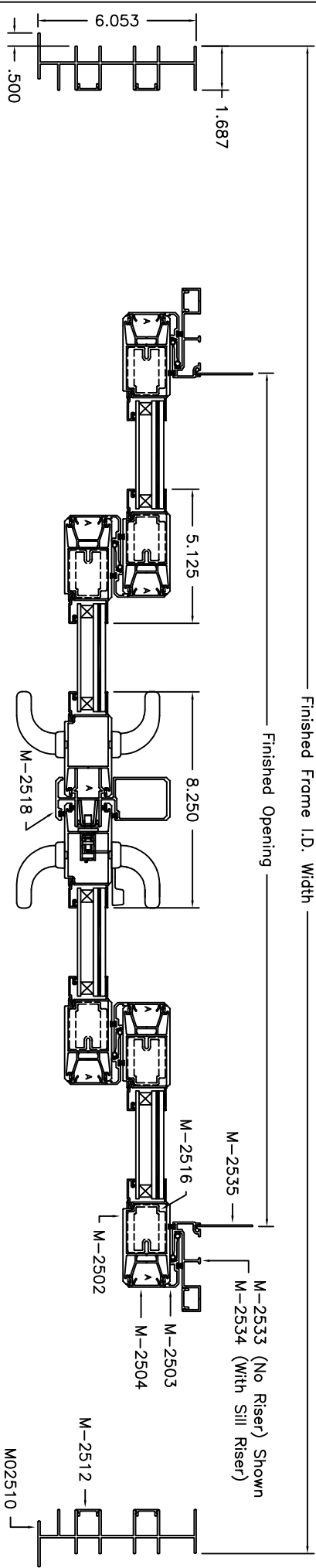
MATERIAL: Aluminum		FINISH: ARKc		UNSPECIFIED WALL:		 <b>MIND</b> MI WINDOWS AND DOORS <small>600 WEST MARKET STREET GAITHERSBURG, MD 20878</small>		DESCRIPTION: Cross Sectional Drawing PIXIIP, Finless, IG Inpact			
B	122A-17	Added 10-0 Heights	10/11/17	T.C.				PRODUCT: 120P	SCALE: 1 : 4	PART NUMBER:	DATE: 07/29/15
A	110C-16	Removed w-strip from panel snap stiles	08/10/16	T.C.							
-	110B-16	Initial release of sectional drawing	07/22/16	T.C.							
LTR		ECN #	REVISIONS	DATE	BY	PERMETER:	OTHERWISE SPECIFIED		<small>The information, design or data shown on this document or electronic media is the exclusive property of MI Windows and Doors, LLC. It is considered confidential and proprietary and is made available for limited use only. Its use or reproduction without the expressed written consent of MI Windows and Doors, LLC., is prohibited.</small>		
								DFTM: T.C.	DRAWING NUMBER: CS-000156		



Nominal Size	Door Frame ID Dimension	Rough Opening	Finished Opening
10-0 x 6-8	177 5/8" x 80"	178 1/8" x 80 1/2"	112 5/8"
12-0 x 6-8	213 5/8" x 80"	214 1/8" x 80 1/2"	136 5/8"
16-0 x 6-8	285 5/8" x 80"	286 1/8" x 80 1/2"	184 5/8"
10-0 x 8-0	177 5/8" x 96"	178 1/8" x 96 1/2"	112 5/8"
12-0 x 8-0	213 5/8" x 96"	214 1/8" x 96 1/2"	136 5/8"
16-0 x 8-0	285 5/8" x 96"	286 1/8" x 96 1/2"	184 5/8"
10-0 x 10-0	177 5/8" x 120"	178 1/8" x 120 1/2"	112 5/8"
12-0 x 10-0	213 5/8" x 120"	214 1/8" x 120 1/2"	136 5/8"
16-0 x 10-0	285 5/8" x 120"	286 1/8" x 120 1/2"	184 5/8"

MATERIAL: Aluminum		FINISH: AR6c		UNSPECIFIED WALL:		MATERIAL: Aluminum		FINISH: AR6c		UNSPECIFIED WALL:	
B	122A-17	Added 10-0 Heights	10/11/17	T.C.							
A	110C-16	Removed w-strip from panel snap stile	08/10/11	T.C.							
-	110B-16	Initial release of sectional drawing	07/22/16	T.C.							
LTR	ECN #	REVISIONS	DATE	BY	PERMETER:	BREAK ALL CORNERS R.015, UNLESS OTHERWISE SPECIFIED	The information, design or data shown on this document or electronic media is the exclusive property of MI Windows and Doors, LLC. It is considered confidential and proprietary and is made available for limited use only. Its use or reproduction without the expressed written consent of MI Windows and Doors, LLC., is prohibited.		SCALE: 1 : 4	PART NUMBER:	DATE: 07/29/15
						DESCRIPTION: Cross Sectional Drawing		PRODUCT: 120P		DRAWING NUMBER: CS-000157	
						PIXIXIP, Finless, IG Non-Impact					





Nominal Size	Door Frame ID Dimension	Rough Opening	Finished Opening
10-0 x 6-8	177 5/8" x 80"	178 1/8" x 80 1/2"	112 5/8"
12-0 x 6-8	213 5/8" x 80"	214 1/8" x 80 1/2"	136 5/8"
16-0 x 6-8	285 5/8" x 80"	286 1/8" x 80 1/2"	184 5/8"
10-0 x 8-0	177 5/8" x 96"	178 1/8" x 96 1/2"	112 5/8"
12-0 x 8-0	213 5/8" x 96"	214 1/8" x 96 1/2"	136 5/8"
16-0 x 8-0	285 5/8" x 96"	286 1/8" x 96 1/2"	184 5/8"
10-0 x 10-0	177 5/8" x 120"	178 1/8" x 120 1/2"	112 5/8"
12-0 x 10-0	213 5/8" x 120"	214 1/8" x 120 1/2"	136 5/8"
16-0 x 10-0	285 5/8" x 120"	286 1/8" x 120 1/2"	184 5/8"

MATERIAL: Aluminum		FINISH: AREA:		UNSPECIFIED WALL:		DESCRIPTION: Cross Sectional Drawing PIXIXIP, Flange, IG Impact	
B	122A-17	Added 10-0 Heights	10/11/17	T.C.			DATE: 07/29/15
A	110C-16	Removed w-strip from panel snap stiles	08/10/16	T.C.			
-	110B-16	Initial release of sectional drawing	07/22/16	T.C.			
LITERATURE		ECN #		REVISIONS		DATE BY PERMETER:	

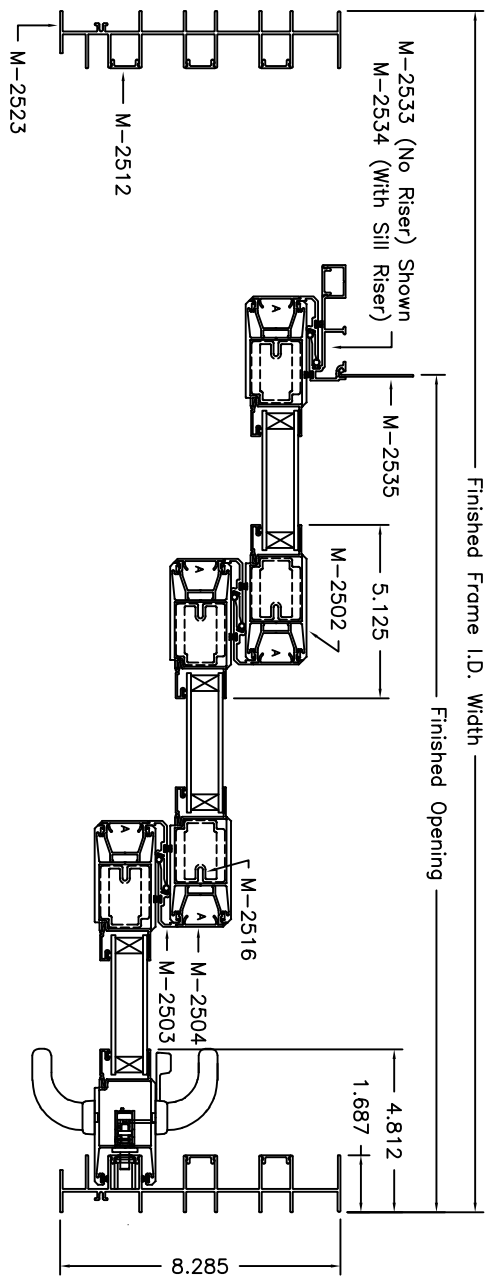
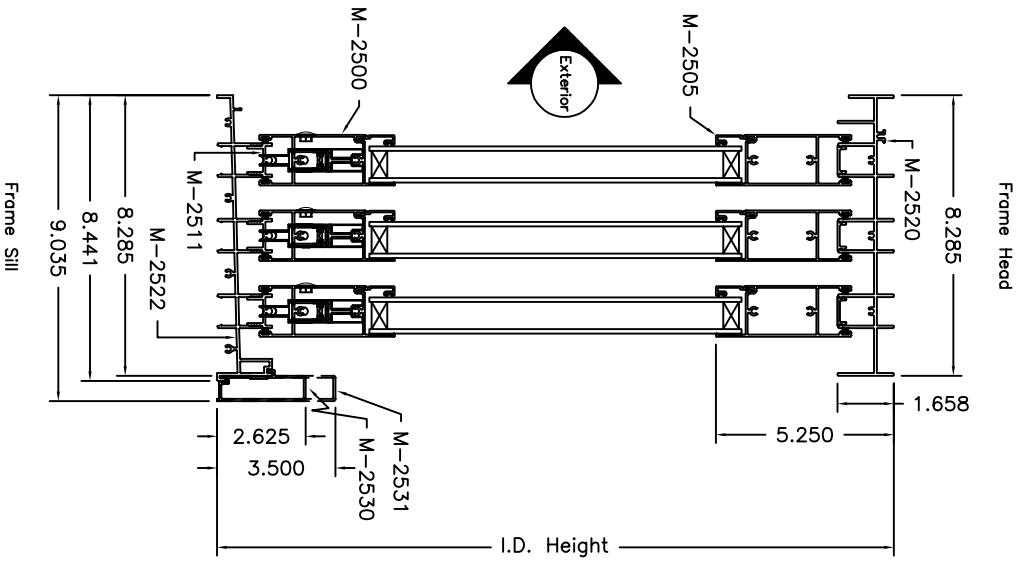
**MiWD** MI WINDOWS AND DOORS  
600 WEST MARKET STREET GAITHERSBURG, MD 20878-3070

The information, design or data shown on this document or electronic media is the exclusive property of Mi Windows and Doors, LLC. It is considered confidential and proprietary and is made available for limited use only. Its use or reproduction without the expressed written consent of Mi Windows and Doors, LLC., is prohibited.

PRODUCT: 120P	SCALE: 1 : 4	PART NUMBER:	DATE: 07/29/15
DESCRIPTION: Cross Sectional Drawing PIXIXIP, Flange, IG Impact	DFTM: T.C.	DRAWING NUMBER: CS-000159	







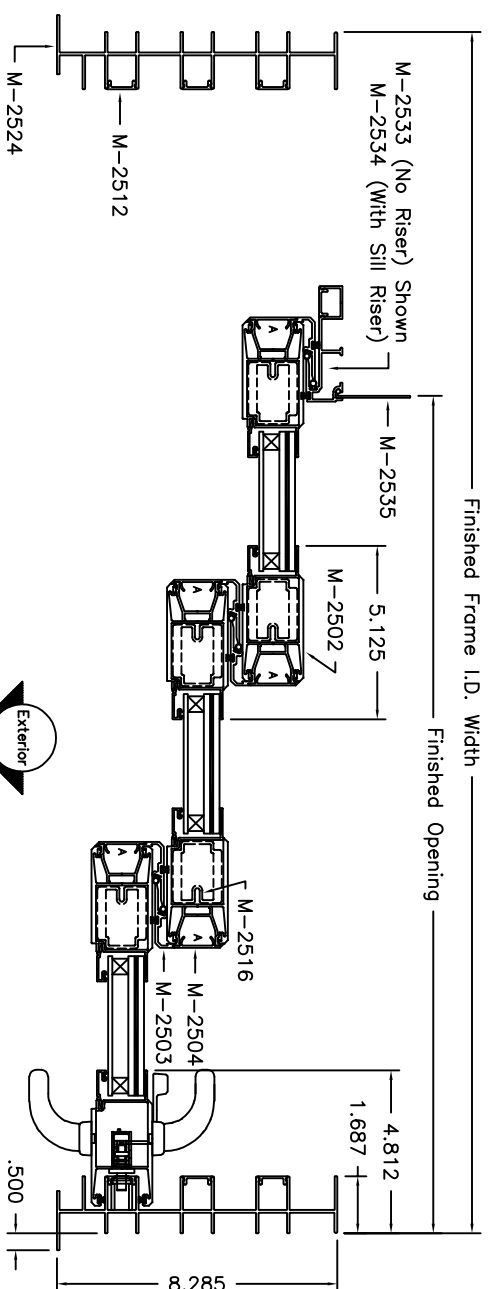
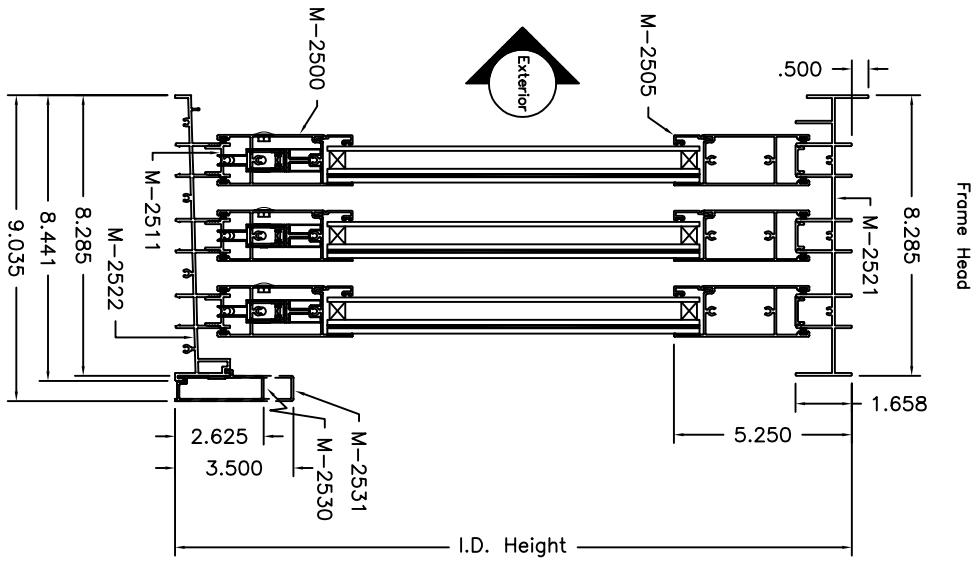
Pilx Shown, XlIP Opposite

Nominal Size	Door Frame ID Dimension	Rough Opening	Finished Opening
7-6 x 6-8	115 1/2" x 80"	116" x 80 1/2"	84 3/4"
9-0 x 6-8	139 1/2" x 80"	140" x 80 1/2"	102 3/4"
12-0 x 6-8	187 1/2" x 80"	188" x 80 1/2"	138 3/4"
7-6 x 8-0	115 1/2" x 96"	116" x 96 1/2"	84 3/4"
9-0 x 8-0	139 1/2" x 96"	140" x 96 1/2"	102 3/4"
12-0 x 8-0	187 1/2" x 96"	188" x 96 1/2"	138 3/4"
7-6 x 10-0	115 1/2" x 120"	116" x 120 1/2"	84 3/4"
9-0 x 10-0	139 1/2" x 120"	140" x 120 1/2"	102 3/4"
12-0 x 10-0	187 1/2" x 120"	188" x 120 1/2"	138 3/4"

MATERIAL:		UNSPECIFIED WALL:		DESCRIPTION: Cross Sectional Drawing Pilx or XlIP, Finless, IG Non-Impact	
FINISH:		AREC		PRODUCT: 130P	
WEIGHT:		BREK ALL CORNERS R015, UNLESS OTHERWISE SPECIFIED		SCALE: 1 : 4	
PERIMETER:		DATE: 07/29/15		PART NUMBER:	
DATE: 08/10/16 T.C.		DATE: 07/29/15		DRAWING NUMBER: CS-000168	
BY:		DATE: 10/11/17 T.C.		DATE: 07/29/15	
REVISIONS:		DATE: 08/10/16 T.C.		DATE: 07/29/15	
LITER:		DATE: 08/10/16 T.C.		DATE: 07/29/15	
ECN #		DATE: 08/10/16 T.C.		DATE: 07/29/15	
ECN #		DATE: 08/10/16 T.C.		DATE: 07/29/15	

**MIWD** MI WINDOWS AND DOORS  
600 WEST MARKET STREET GAITHERSBURG, MD 20878

The information, design or data shown on this document or electronic media is the exclusive property of MI Windows and Doors, LLC. It is considered confidential and proprietary and is made available for limited use only. Its use or reproduction without the expressed written consent of MI Windows and Doors, LLC, is prohibited.



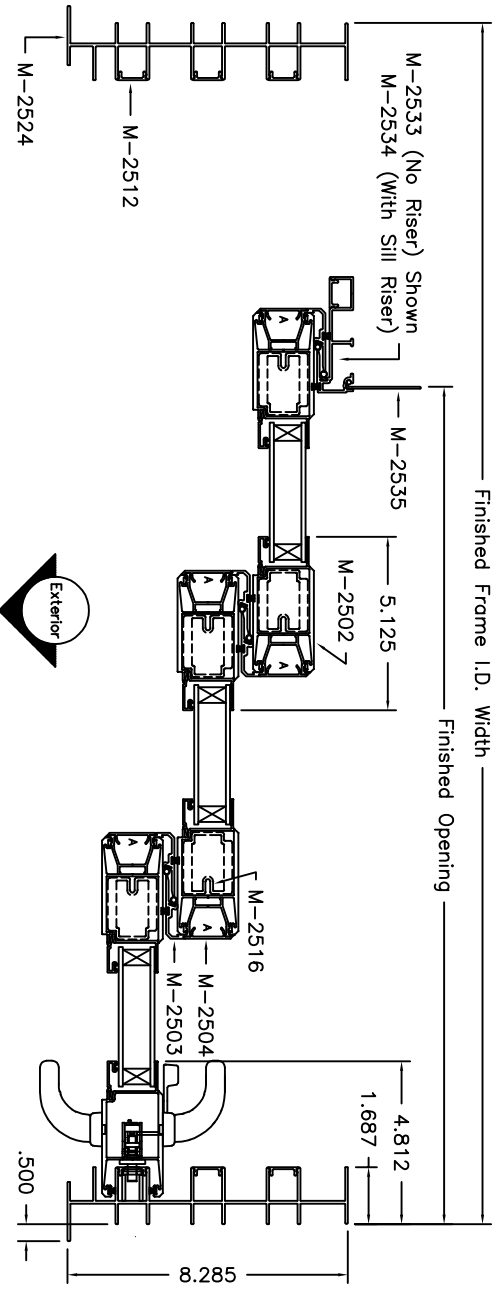
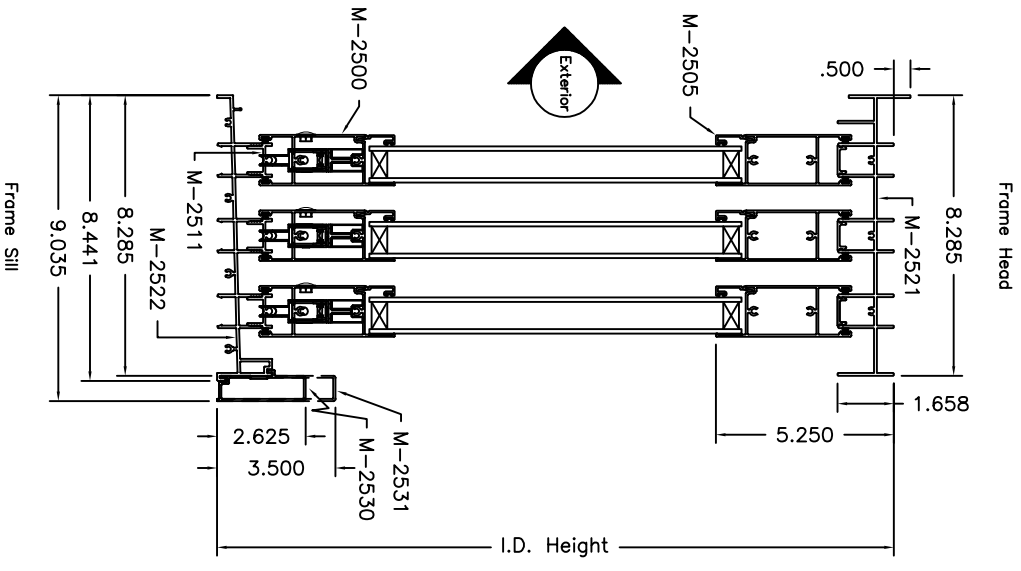
PIIX Shown, XIIP Opposite

Nominal Size	Door Frame ID Dimension	Rough Opening	Finished Opening
7-6 x 6-8	115 1/2" x 80"	116" x 80 1/2"	84 3/4"
9-0 x 6-8	139 1/2" x 80"	140" x 80 1/2"	102 3/4"
12-0 x 6-8	187 1/2" x 80"	188" x 80 1/2"	138 3/4"
7-6 x 8-0	115 1/2" x 96"	116" x 96 1/2"	84 3/4"
9-0 x 8-0	139 1/2" x 96"	140" x 96 1/2"	102 3/4"
12-0 x 8-0	187 1/2" x 96"	188" x 96 1/2"	138 3/4"
7-6 x 10-0	115 1/2" x 120"	116" x 120 1/2"	84 3/4"
9-0 x 10-0	139 1/2" x 120"	140" x 120 1/2"	102 3/4"
12-0 x 10-0	187 1/2" x 120"	188" x 120 1/2"	138 3/4"

MATERIAL:		UNSPECIFIED WALL:		DESCRIPTION: Cross Sectional Drawing, IG Impact PIIX or XIIP, Flange, IG Impact	
FINISH:		AREC		PRODUCT: 130P	
WEIGHT:		BREK ALL CORNERS R.015, UNLESS OTHERWISE SPECIFIED		SCALE: 1 : 4	
PERIMETER:		DATE: 07/29/15		PART NUMBER:	
DATE: 08/10/16		BY: T.C.		DRAWING NUMBER: CS-000170	
REVISIONS:		DATE: 10/11/17		DATE: 07/29/15	
REMOVED w/strip from panel interlock stiles		T.C.		DATE: 07/29/15	
ADDED 10-0 Heights		T.C.		DATE: 07/29/15	
110C-16		T.C.		DATE: 07/29/15	
122A-17		T.C.		DATE: 07/29/15	
LITER		ECN #		DATE: 07/29/15	

**MIND** MI WINDOWS AND DOORS  
600 WEST MARKET STREET GAITHERSBURG, MD 20878

The information, design or data shown on this document or electronic media is the exclusive property of MI Windows and Doors, LLC. It is considered confidential and proprietary and is made available for limited use only. Its use or reproduction without the expressed written consent of MI Windows and Doors, LLC., is prohibited.



Nominal Size	Door Frame ID Dimension	Rough Opening	Finished Opening
7-6 x 6-8	115 1/2" x 80"	116" x 80 1/2"	84 3/4"
9-0 x 6-8	139 1/2" x 80"	140" x 80 1/2"	102 3/4"
12-0 x 6-8	187 1/2" x 80"	188" x 80 1/2"	138 3/4"
7-6 x 8-0	115 1/2" x 96"	116" x 96 1/2"	84 3/4"
9-0 x 8-0	139 1/2" x 96"	140" x 96 1/2"	102 3/4"
12-0 x 8-0	187 1/2" x 96"	188" x 96 1/2"	138 3/4"
7-6 x 10-0	115 1/2" x 120"	116" x 120 1/2"	84 3/4"
9-0 x 10-0	139 1/2" x 120"	140" x 120 1/2"	102 3/4"
12-0 x 10-0	187 1/2" x 120"	188" x 120 1/2"	138 3/4"

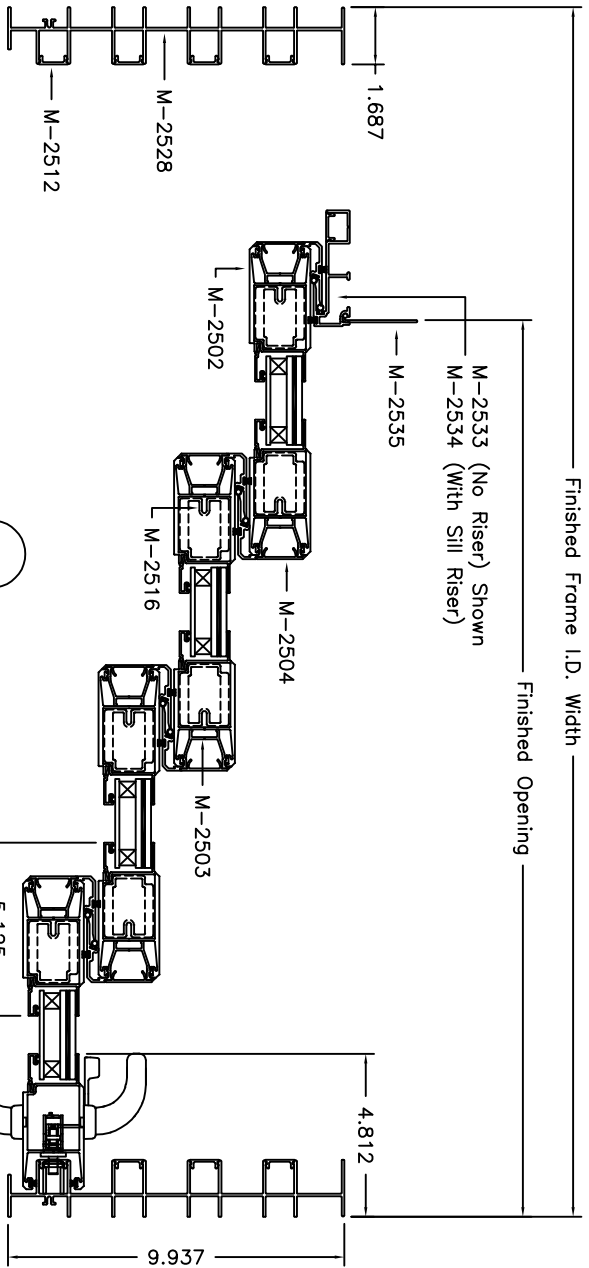
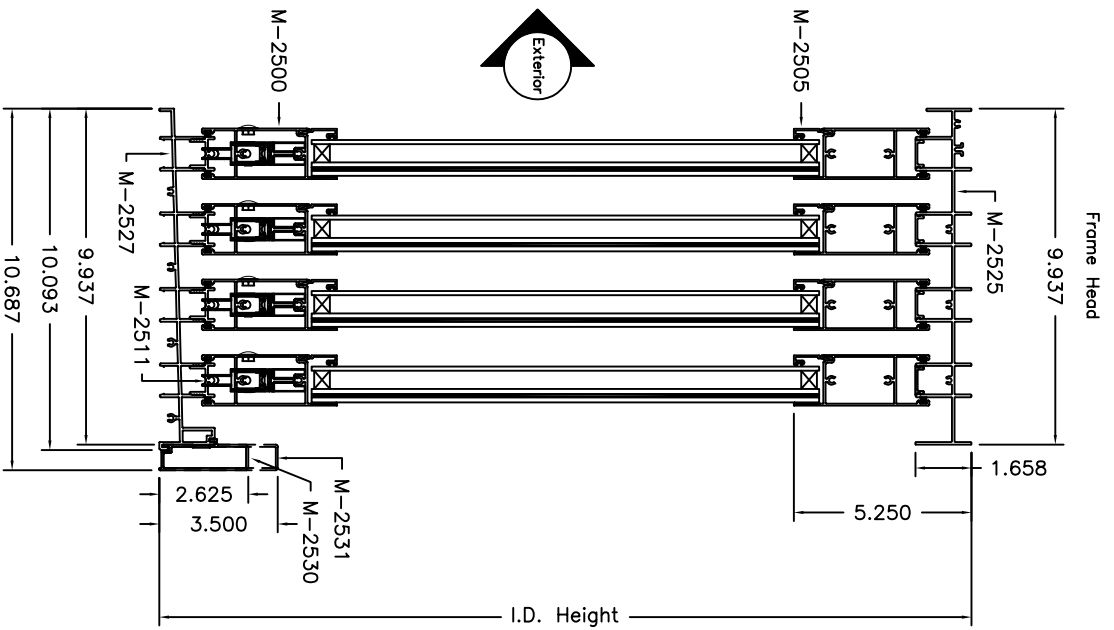
Plix Shown, X1IP Opposite

MATERIAL:		UNSPECIFIED WALL:		DESCRIPTION: Cross Sectional Drawing Plix or X1IP, Flange, IG Non-Impact	
FINISH:		AREC		PRODUCT: 130P	
WEIGHT:		PERIMETER:		SCALE: 1 : 4	
DATE:		DATE:		PART NUMBER:	
BY:		DATE:		DRAWING NUMBER: CS-000171	
REVISIONS:		REVISIONS:		DATE: 07/29/15	
A	110C-16	Removed w/strip from panel interlock stile	08/10/16	T.C.	
B	122A-17	Added 10-0 Heights	10/11/17	T.C.	
LITER ECN #					



The information, design or data shown on this document or electronic media is the exclusive property of MI Windows and Doors, LLC. It is considered confidential and proprietary and is made available for limited use only. Its use or reproduction without the expressed written consent of MI Windows and Doors, LLC., is prohibited.





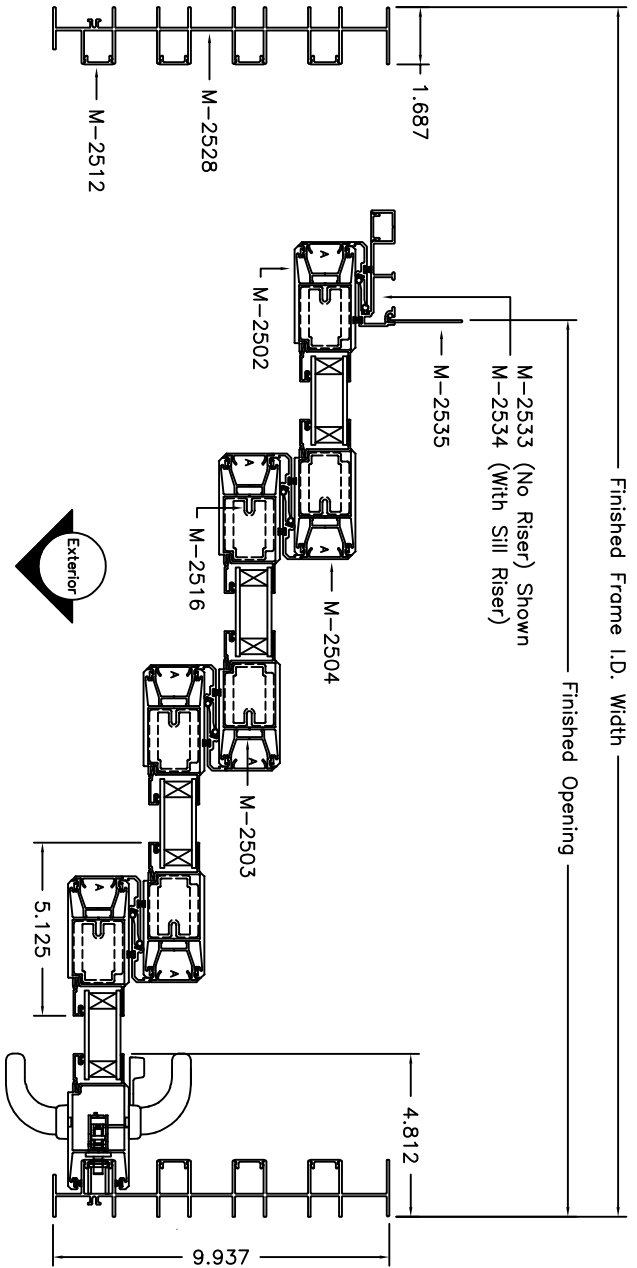
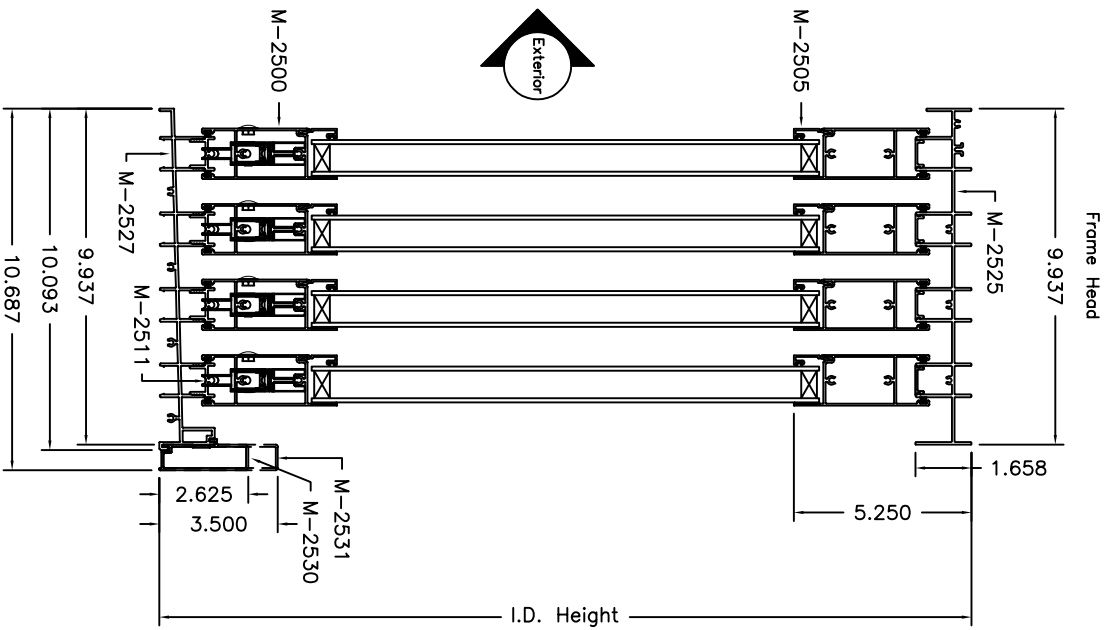
Pilix Shown, Xilip Opposite

Nominal Size	Door Frame ID Dimension	Rough Opening	Finished Opening
10-0 x 6-8	143 1/4" x 80"	143 3/4" x 80 1/2"	112 1/2"
12-0 x 6-8	173 1/4" x 80"	173 3/4" x 80 1/2"	136 1/2"
16-0 x 6-8	233 1/4" x 80"	233 3/4" x 80 1/2"	184 1/2"
10-0 x 8-0	143 1/4" x 96"	143 3/4" x 96 1/2"	112 1/2"
12-0 x 8-0	173 1/4" x 96"	173 3/4" x 96 1/2"	136 1/2"
16-0 x 8-0	233 1/4" x 96"	233 3/4" x 96 1/2"	184 1/2"
10-0 x 10-0	143 1/4" x 120"	143 3/4" x 120 1/2"	112 1/2"
12-0 x 10-0	173 1/4" x 120"	173 3/4" x 120 1/2"	136 1/2"
16-0 x 10-0	233 1/4" x 120"	233 3/4" x 120 1/2"	184 1/2"

MATERIAL: Aluminum		FINISH: ARK		UNSPECIFIED WALL:		BREAK ALL CORNERS R015, UNLESS OTHERWISE SPECIFIED	
122A-17		Added 10-0 Heights		10/11/17 T.C.		PERIMETER:	
110C-16		Removed w/strip from panel interlock stiles		08/10/16 T.C.		DATE BY	
LITER ECN #		REVISIONS		DATE BY		DATE BY	
DESCRIPTION: Cross Sectional Drawing Pilix or Xilip, Finless, IG Impact				PRODUCT: 140P		SCALE: 1 : 4	
DATE: 07/30/15				PART NUMBER:		DRAWING NUMBER: CS-000175	



The information, design or data shown on this document or electronic media is the exclusive property of MI Windows and Doors, LLC. It is considered confidential and proprietary and is made available for limited use only. Its use or reproduction without the expressed written consent of MI Windows and Doors, LLC, is prohibited.



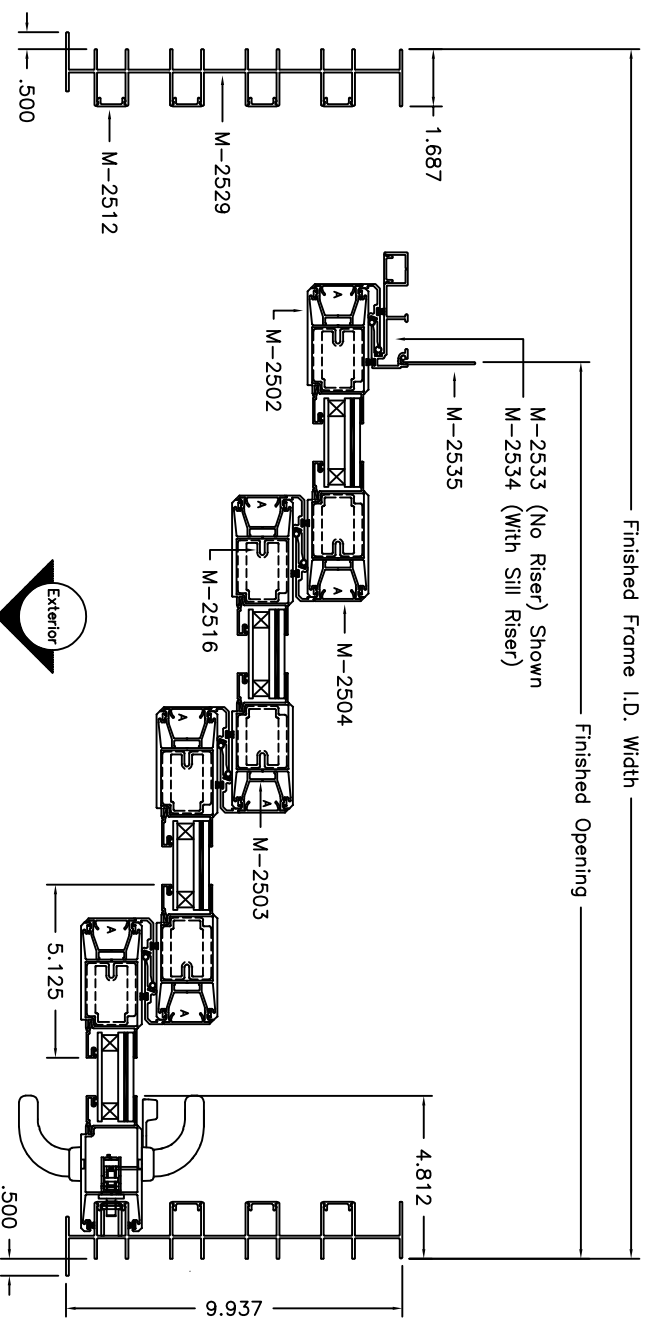
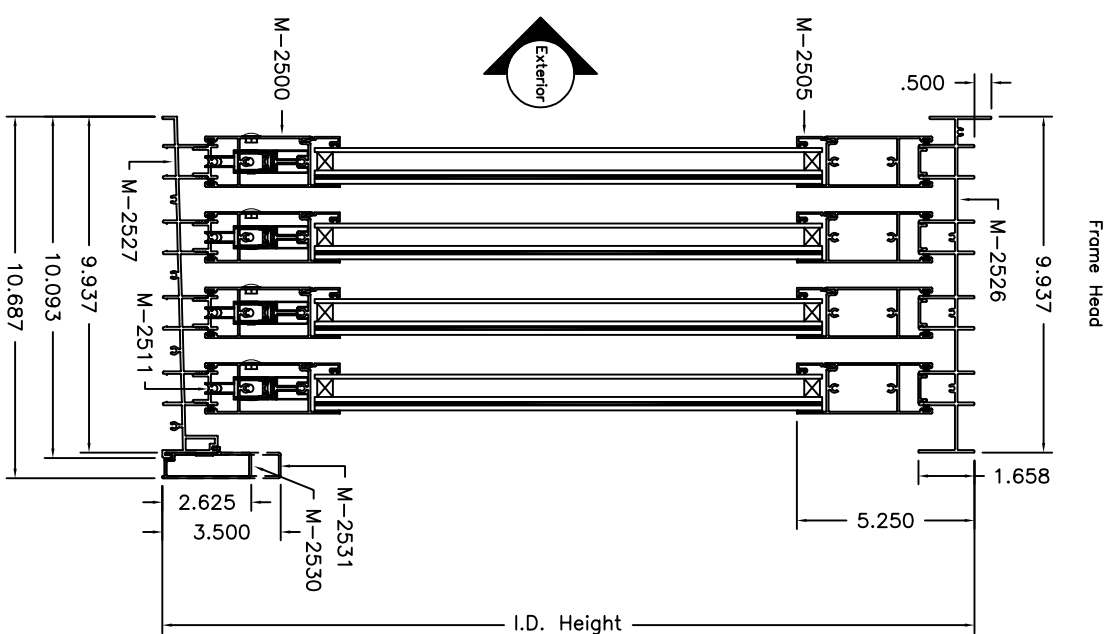
Nominal Size	Door Frame ID Dimension	Rough Opening	Finished Opening
10-0 x 6-8	143 1/4" x 80"	143 3/4" x 80 1/2"	112 1/2"
12-0 x 6-8	173 1/4" x 80"	173 3/4" x 80 1/2"	136 1/2"
16-0 x 6-8	233 1/4" x 80"	233 3/4" x 80 1/2"	184 1/2"
10-0 x 8-0	143 1/4" x 96"	143 3/4" x 96 1/2"	112 1/2"
12-0 x 8-0	173 1/4" x 96"	173 3/4" x 96 1/2"	136 1/2"
16-0 x 8-0	233 1/4" x 96"	233 3/4" x 96 1/2"	184 1/2"
10-0 x 10-0	143 1/4" x 120"	143 3/4" x 120 1/2"	112 1/2"
12-0 x 10-0	173 1/4" x 120"	173 3/4" x 120 1/2"	136 1/2"
16-0 x 10-0	233 1/4" x 120"	233 3/4" x 120 1/2"	184 1/2"

Pilix Shown, Xilip Opposite

MATERIAL: Aluminum		FINISH: ANEK		UNSPECIFIED WALL:		MATERIAL: Aluminum		FINISH: ANEK	
REVISIONS:		DATE:		BY:		PERMETER:		WEIGHT:	
A 110C-16		08/11/16		T.C.		REMOVED w/strip from panel interlock stiles		10/11/17	
B 122A-17		10/11/17		T.C.		ADDED 10-0 HEIGHTS		10/11/17	
LTR ECN #		DATE		BY		REVISIONS		DATE	
DESCRIPTION: Cross Sectional Drawing		SCALE: 1 : 4		PART NUMBER:		DATE: 07/30/15		PILIX OR XILIP, FINLESS, IG NON-IMPACT	
DRAWING NUMBER: CS-000176		DFTM: T.C.		DRAWING NUMBER: CS-000176		DRAWING NUMBER: CS-000176		DRAWING NUMBER: CS-000176	



The information, design or data shown on this document or electronic media is the exclusive property of MI Windows and Doors, LLC. It is considered confidential and proprietary and is made available for limited use only. Its use or reproduction without the expressed written consent of MI Windows and Doors, LLC., is prohibited.



Pilix Shown, Xilip Opposite

Nominal Size	Door Frame ID Dimension	Rough Opening	Finished Opening
10-0 x 6-8	143 1/4" x 80"	143 3/4" x 80 1/2"	112 1/2"
12-0 x 6-8	173 1/4" x 80"	173 3/4" x 80 1/2"	136 1/2"
16-0 x 6-8	233 1/4" x 80"	233 3/4" x 80 1/2"	184 1/2"
10-0 x 8-0	143 1/4" x 96"	143 3/4" x 96 1/2"	112 1/2"
12-0 x 8-0	173 1/4" x 96"	173 3/4" x 96 1/2"	136 1/2"
16-0 x 8-0	233 1/4" x 96"	233 3/4" x 96 1/2"	184 1/2"
10-0 x 10-0	143 1/4" x 120"	143 3/4" x 120 1/2"	112 1/2"
12-0 x 10-0	173 1/4" x 120"	173 3/4" x 120 1/2"	136 1/2"
16-0 x 10-0	233 1/4" x 120"	233 3/4" x 120 1/2"	184 1/2"

**MIND** MI WINDOWS AND DOORS  
400 WEST MARKET STREET GAITHERSBURG, MD 20878-0370

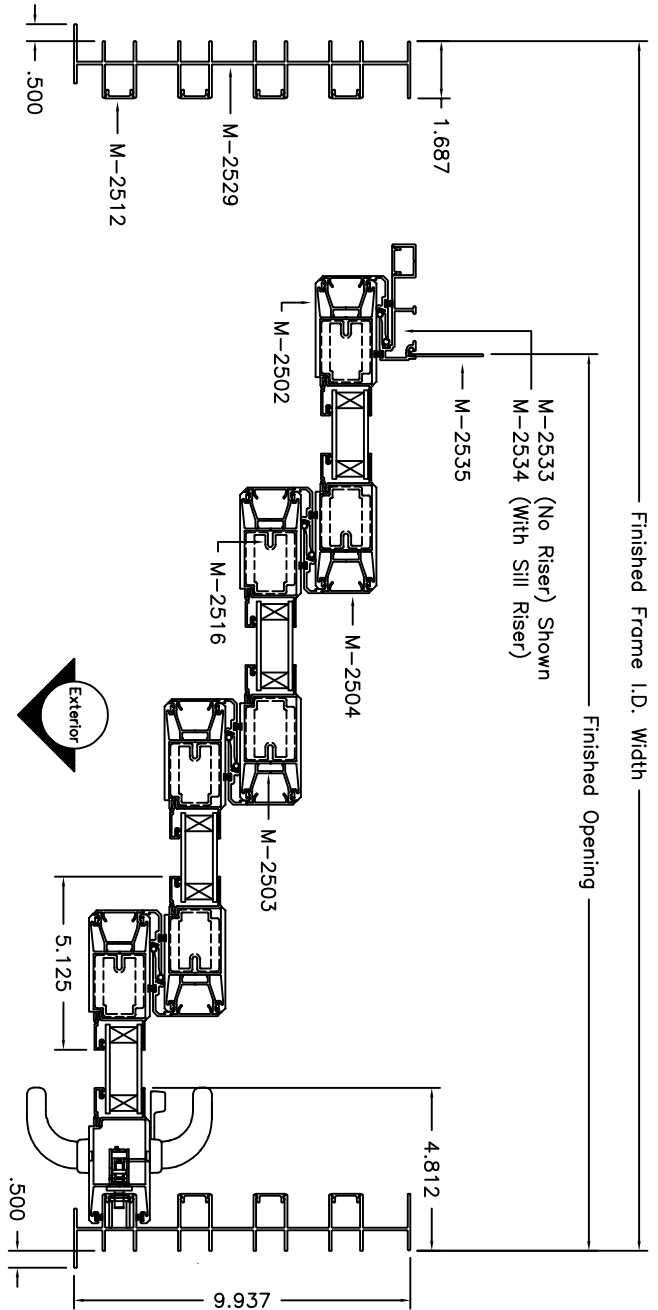
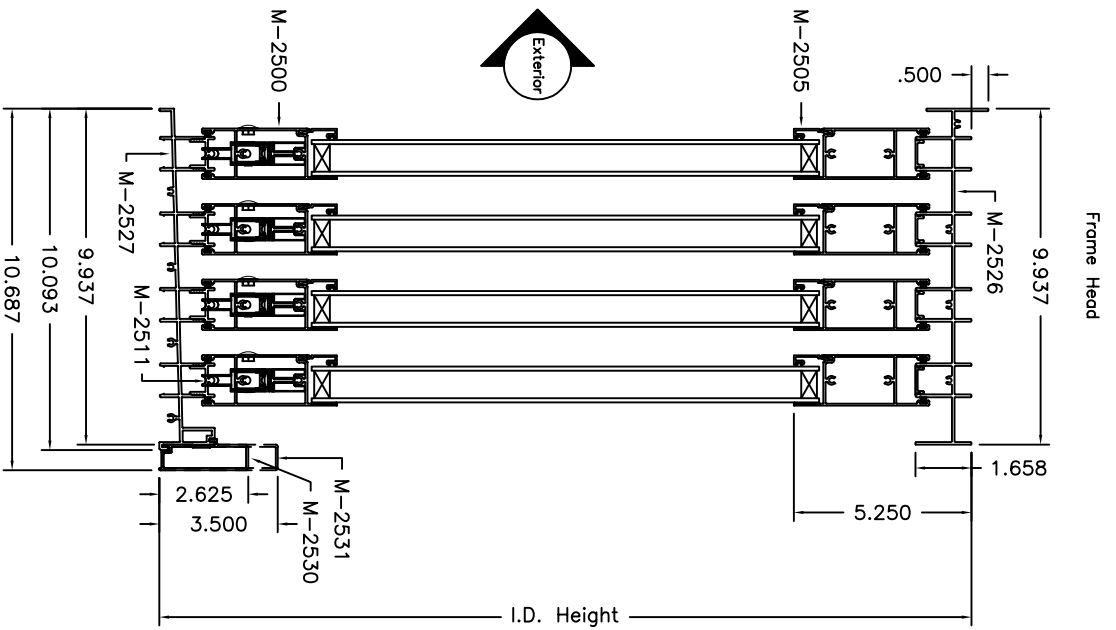
The information, design or data shown on this document or electronic media is the exclusive property of MI Windows and Doors, LLC. It is considered confidential and proprietary and is made available for limited use only. Its use or reproduction without the expressed written consent of MI Windows and Doors, LLC, is prohibited.

DESCRIPTION: Cross Sectional Drawing  
Pilix or Xilip, Flange, IG Impact

PRODUCT: 140P  
SCALE: 1 : 4  
DATE: 07/30/15

PART NUMBER:  
DRAWING NUMBER: CS-000178

MATERIAL: Aluminum	FINISH: ANEK	UNSPECIFIED WALL:	BREAK ALL CORNERS R.015, UNLESS OTHERWISE SPECIFIED
122A-17	Added 10-0 Heights	10/11/17 T.C.	
110C-16	Removed w/strip from panel interlock stiles	08/11/16 T.C.	
ECN #	REVISIONS	DATE	BY



Pilix Shown, Xillip Opposite

Nominal Size	Door Frame ID Dimension	Rough Opening	Finished Opening
10-0 x 6-8	143 1/4" x 80"	143 3/4" x 80 1/2"	112 1/2"
12-0 x 6-8	173 1/4" x 80"	173 3/4" x 80 1/2"	136 1/2"
16-0 x 6-8	233 1/4" x 80"	233 3/4" x 80 1/2"	184 1/2"
10-0 x 8-0	143 1/4" x 96"	143 3/4" x 96 1/2"	112 1/2"
12-0 x 8-0	173 1/4" x 96"	173 3/4" x 96 1/2"	136 1/2"
16-0 x 8-0	233 1/4" x 96"	233 3/4" x 96 1/2"	184 1/2"
10-0 x 10-0	143 1/4" x 120"	143 3/4" x 120 1/2"	112 1/2"
12-0 x 10-0	173 1/4" x 120"	173 3/4" x 120 1/2"	136 1/2"
16-0 x 10-0	233 1/4" x 120"	233 3/4" x 120 1/2"	184 1/2"

**MATERIAL:** Aluminum  
**FINISH:** UNSPECIFIED WALL: ANEK  
**PERIMETER:** BREAK ALL CORNERS R.015, UNLESS OTHERWISE SPECIFIED

**REVISIONS:**

LTR	ECN #	REVISIONS	DATE	BY
A	1100-16	Removed w/strip from panel interlock stiles	08/11/16	T.C.
B	122A-17	Added 10-0 Heights	10/11/17	T.C.

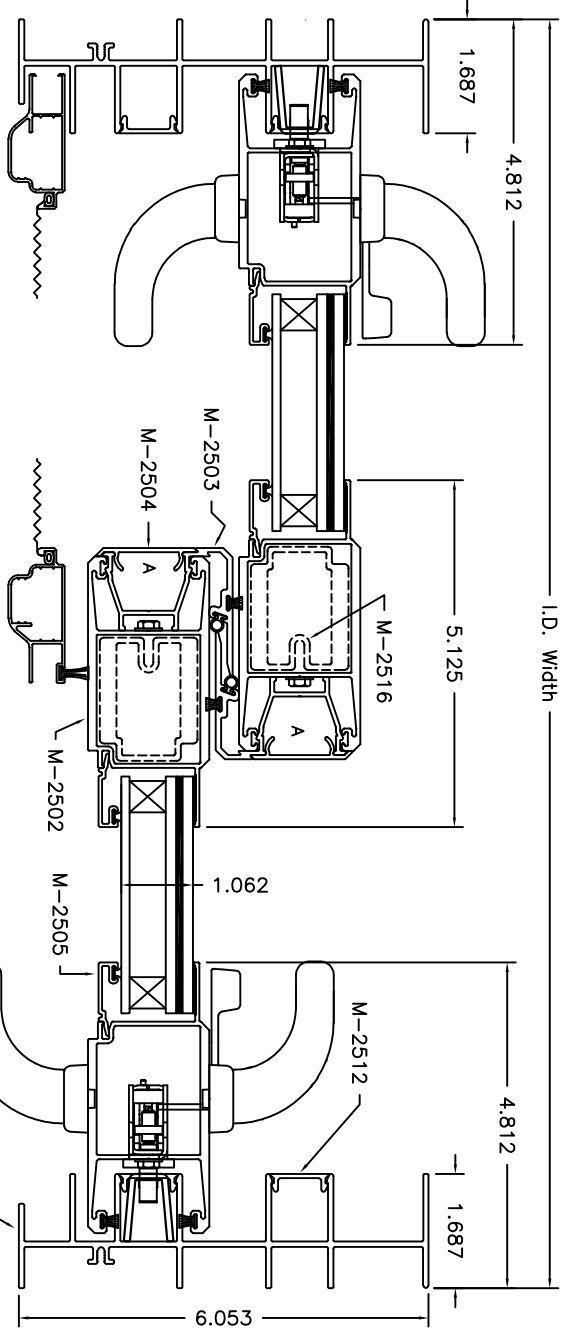
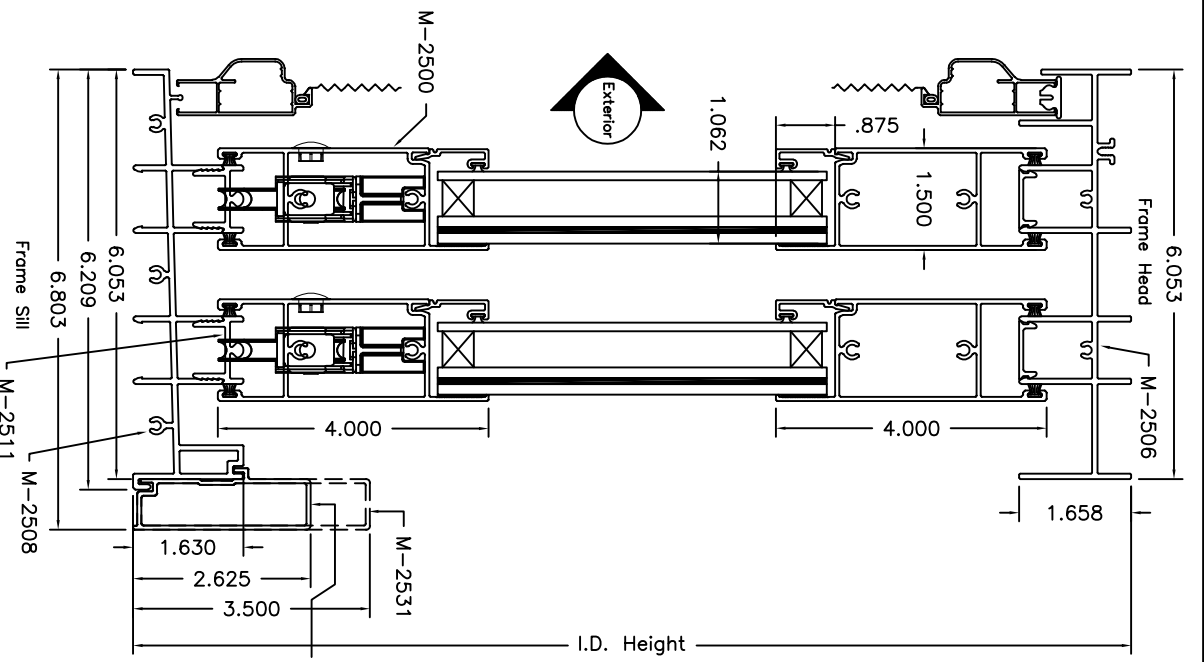
**DESCRIPTION:** Cross Sectional Drawing  
 Pilix or Xillip, Flange, IG Non-Impact

**SCALE:** 1 : 4  
**DATE:** 07/30/15

**PRODUCT:** 140P  
**PART NUMBER:**  
**DRAWING NUMBER:** CS-000179

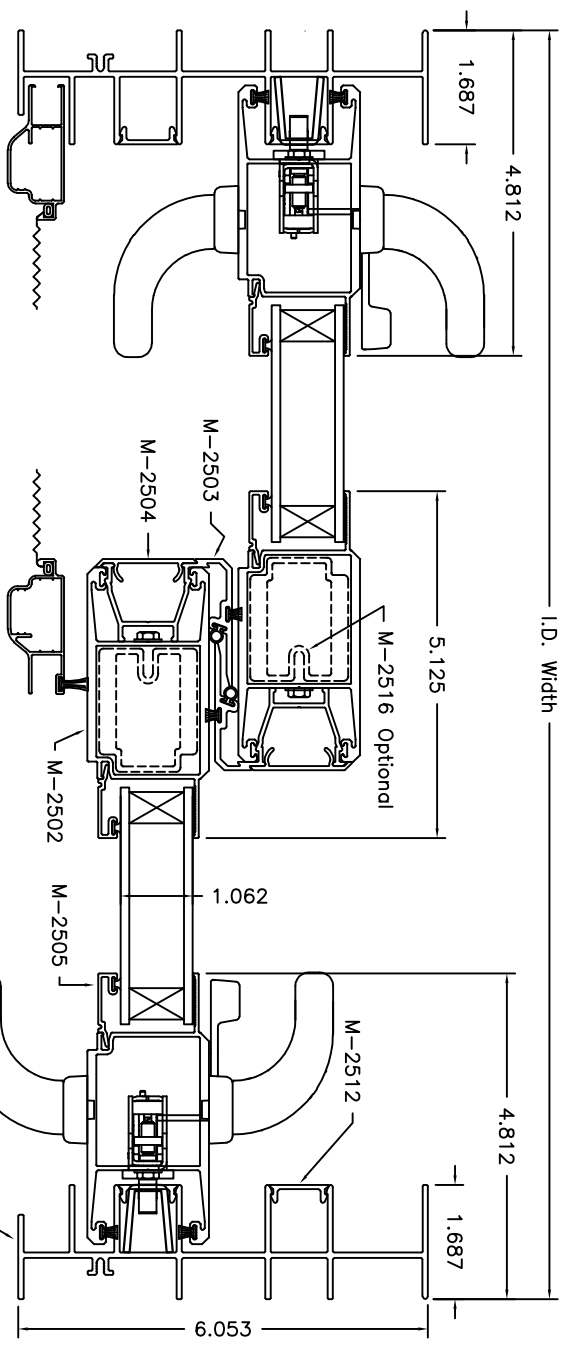
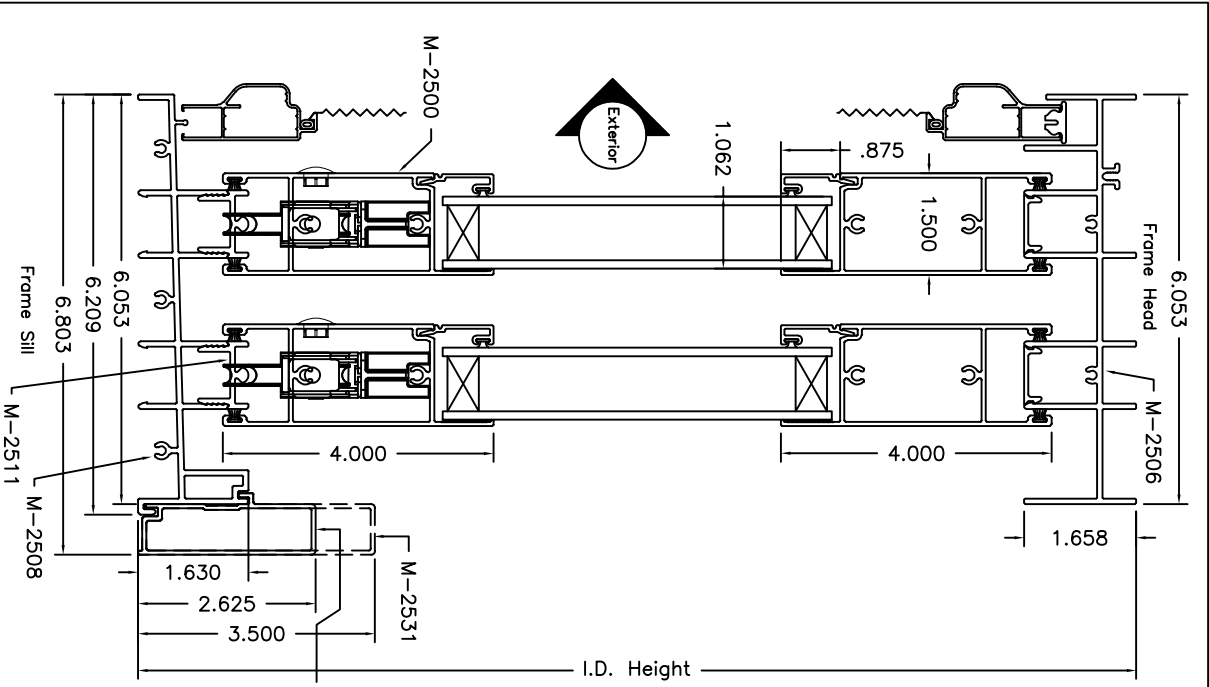
**MIWD** MI WINDOWS AND DOORS  
 600 WEST MARKET STREET GAITHERSBURG, MD 20878

The information, design or data shown on this document or electronic media is the exclusive property of MI Windows and Doors, LLC. It is considered confidential and proprietary and is made available for limited use only. Its use or reproduction without the expressed written consent of MI Windows and Doors, LLC., is prohibited.



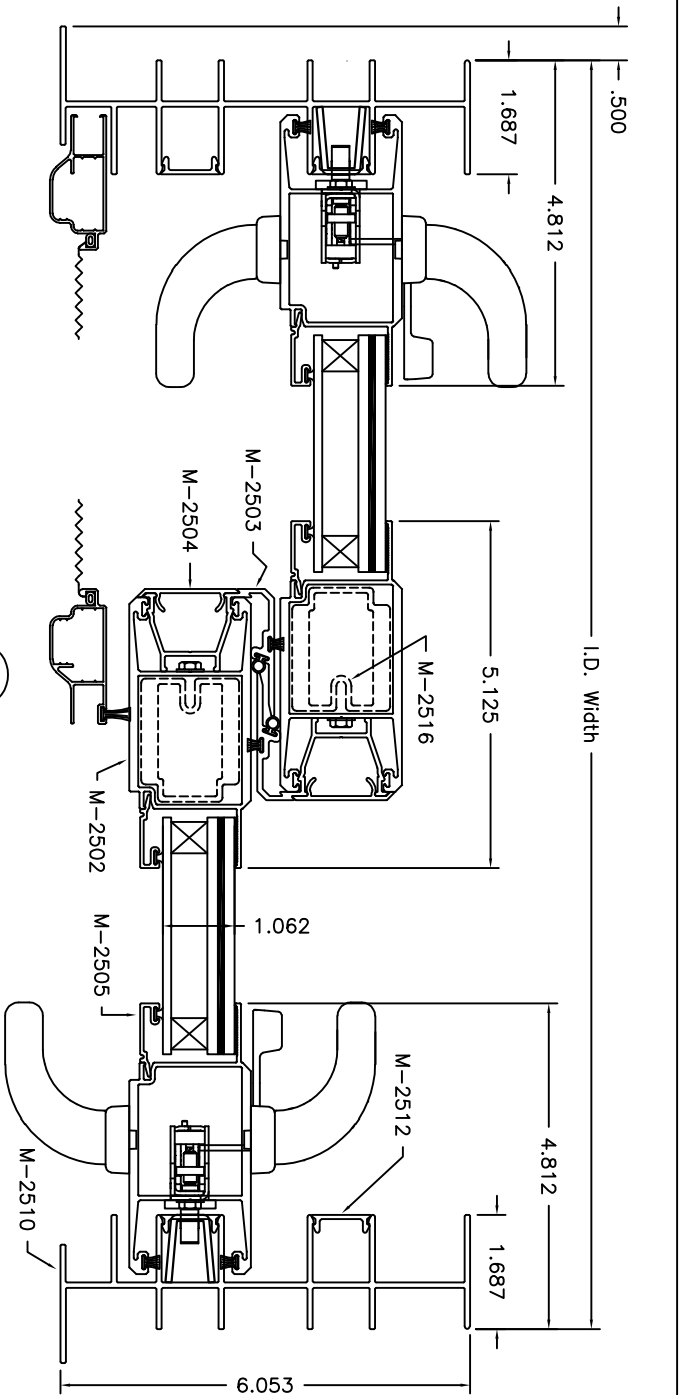
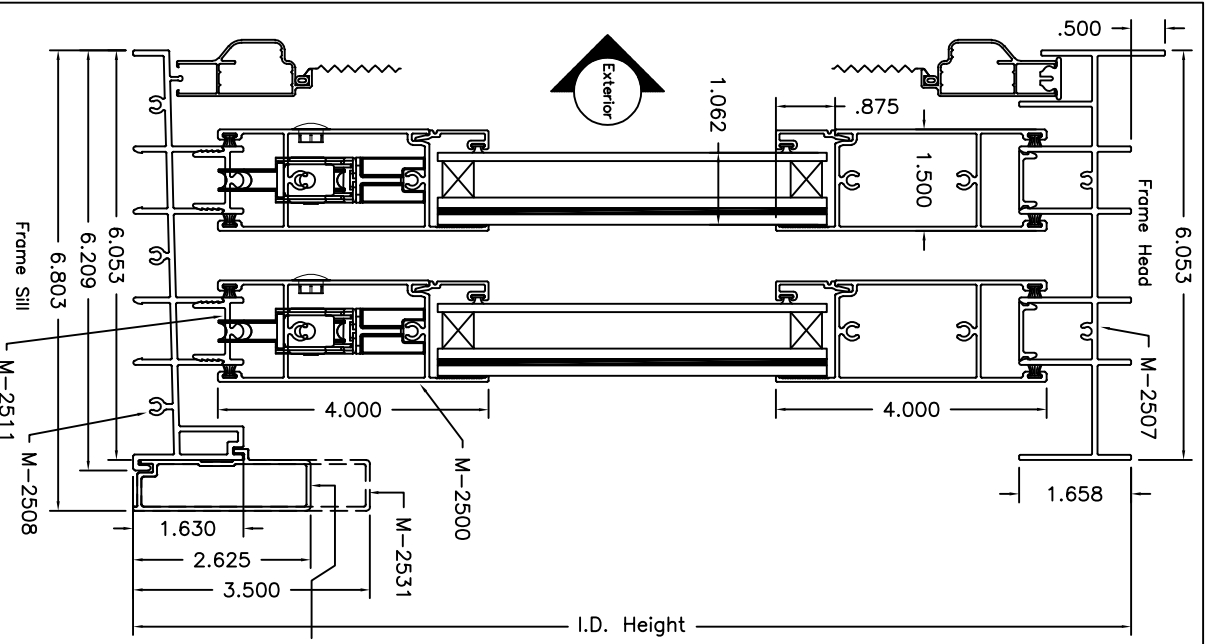
Coil Size	I.D. Size	Rough Opening
5-0 x 6-8	60" x 80"	60 1/2" x 80 1/2"
6-0 x 6-8	72" x 80"	72 1/2" x 80 1/2"
8-0 x 6-8	96" x 80"	96 1/2" x 80 1/2"
5-0 x 8-0	60" x 96"	60 1/2" x 96 1/2"
6-0 x 8-0	72" x 96"	72 1/2" x 96 1/2"
8-0 x 8-0	96" x 96"	96 1/2" x 96 1/2"
5-0 x 10-0	60" x 120"	60 1/2" x 120 1/2"
6-0 x 10-0	72" x 120"	72 1/2" x 120 1/2"
8-0 x 10-0	96" x 120"	96 1/2" x 120 1/2"

MATERIAL:		UNSPECIFIED WALL:		<b>MIWD</b> MI WINDOWS AND DOORS 600 WEST WILKES STREET GAITHERSBURG, MD 20878 The information, design or data shown on this document or electronic media is the exclusive property of MI Windows and Doors, LLC. It is considered confidential and proprietary and is made available for limited use only. Its use or reproduction without the expressed written consent of MI Windows and Doors, LLC., is prohibited.	
FINISH:		ARECA			
PERMETER:		BREKAK ALL CORNERS R.015, UNLESS OTHERWISE SPECIFIED			
DATE:		DATE:			
REVISIONS:		BY:		DESCRIPTION: Cross Sectional Drawing, IG Impact	
122A-17		Added 10-0 Heights		2-Track XX	
110C-16		Removed w-strip from panel interlock stiles		PRODUCT: Series 120 S.G.D.	
110B-16		Initial release of sectional drawing		SCALE: Half	
ECN #		REVISIONS		PART NUMBER:	
				DRAWING NUMBER: CS-000181	
				DATE: 07/31/15	



Call Size	I.D. Size	Rough Opening
5-0 x 6-8	60" x 80"	60 1/2" x 80 1/2"
6-0 x 6-8	72" x 80"	72 1/2" x 80 1/2"
8-0 x 6-8	96" x 80"	96 1/2" x 80 1/2"
5-0 x 8-0	60" x 96"	60 1/2" x 96 1/2"
6-0 x 8-0	72" x 96"	72 1/2" x 96 1/2"
8-0 x 8-0	96" x 96"	96 1/2" x 96 1/2"
5-0 x 10-0	60" x 120"	60 1/2" x 120 1/2"
6-0 x 10-0	72" x 120"	72 1/2" x 120 1/2"
8-0 x 10-0	96" x 120"	96 1/2" x 120 1/2"

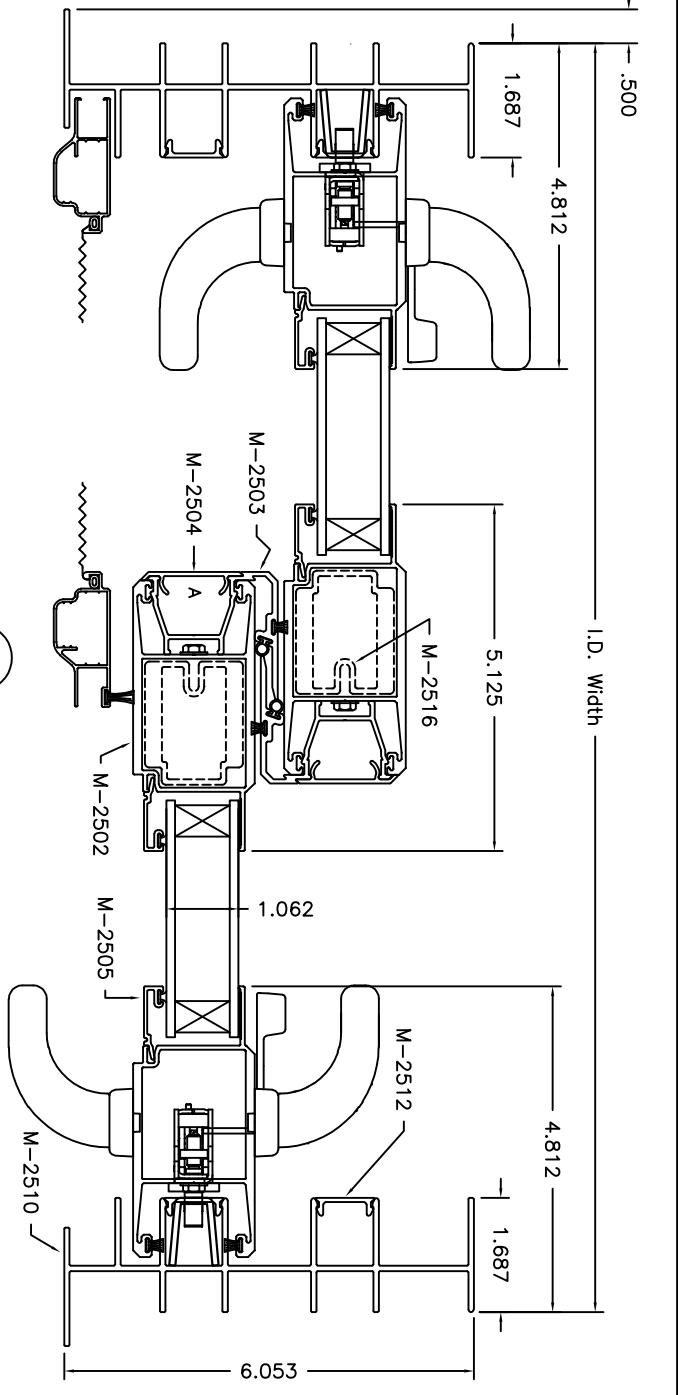
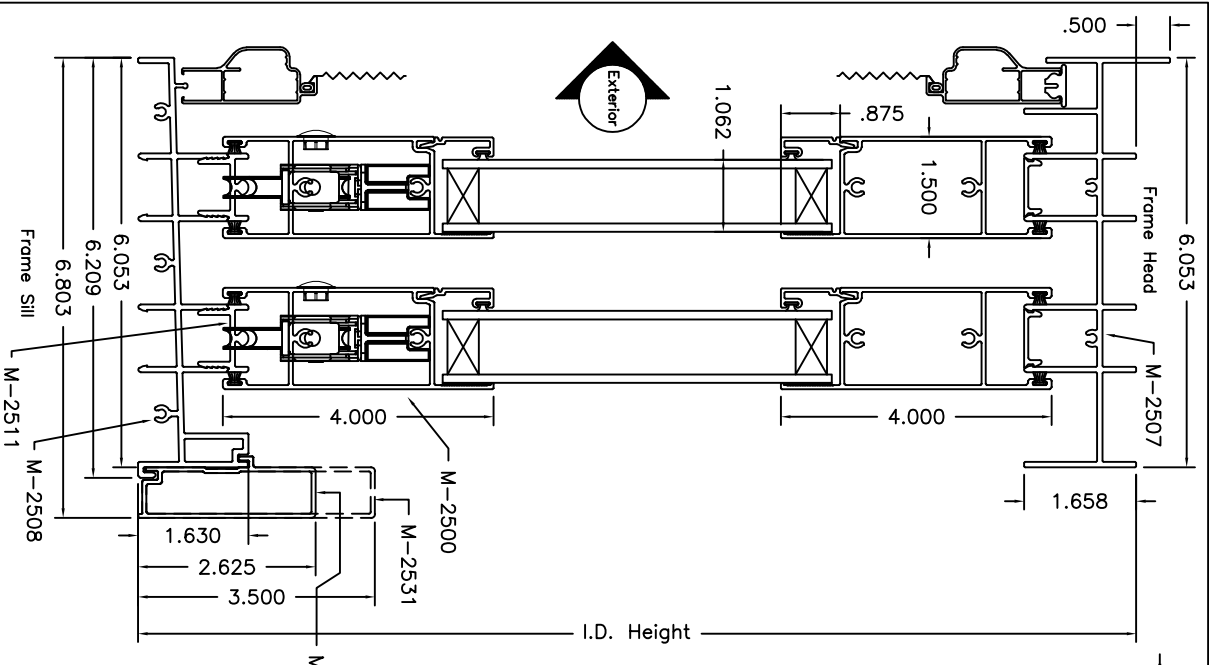
MATERIAL:		UNSPECIFIED WALL:		<p><b>MIWD</b> MI WINDOWS AND DOORS 400 WEST MARKET STREET GAITHERSBURG, MD 20878</p> <p>The information, design or data shown on this document or electronic media is the exclusive property of MI Windows and Doors, LLC. It is considered confidential and proprietary and is made available for limited use only. Its use or reproduction without the expressed written consent of MI Windows and Doors, LLC, is prohibited.</p>	
FINISH:		ARECA			
WEIGHT:		BREKAK ALL CORNERS R.015, UNLESS OTHERWISE SPECIFIED			
PERMETER:					
REVISIONS:		DATE	BY	DESCRIPTION:	
A		07/22/16	T.C.	Cross Sectional Drawing, IG Non-Impact	
B		10/11/17	T.C.	2-Track XX	
C		08/10/16	T.C.	PRODUCT: Series 120 S.G.D.	
D		07/31/15	T.C.	SCALE: Half	
E		07/31/15	T.C.	PART NUMBER:	
F		07/31/15	T.C.	DRAWING NUMBER: CS-000182	
G		07/31/15	T.C.	DATE: 07/31/15	
H		07/31/15	T.C.	SCALE: Half	
I		07/31/15	T.C.	PART NUMBER:	
J		07/31/15	T.C.	DRAWING NUMBER: CS-000182	



Call Size	I.D. Size	Rough Opening
5-0 x 6-8	60" x 80"	60 1/2" x 80 1/2"
6-0 x 6-8	72" x 80"	72 1/2" x 80 1/2"
8-0 x 6-8	96" x 80"	96 1/2" x 80 1/2"
5-0 x 8-0	60" x 96"	60 1/2" x 96 1/2"
6-0 x 8-0	72" x 96"	72 1/2" x 96 1/2"
8-0 x 8-0	96" x 96"	96 1/2" x 96 1/2"
5-0 x 10-0	60" x 120"	60 1/2" x 120 1/2"
6-0 x 10-0	72" x 120"	72 1/2" x 120 1/2"
8-0 x 10-0	96" x 120"	96 1/2" x 120 1/2"

MATERIAL:		UNSPECIFIED WALL:		<b>MIND</b> MI WINDOWS AND DOORS 600 WEST MARKET STREET GAITHERSBURG, MD 20878	DESCRIPTION: Cross Sectional Drawing, IG Impact	
FINISH:		ARECA			2-Track XX - Flange	
B	122A-17	Added 10-0 Heights	10/11/17	T.C.	PRODUCT: Series 120 S.G.D.	
A	110C-16	Removed w-strip from panel interlock stiles	08/10/16	T.C.	SCALE: Half	
-	110B-16	Initial release of sectional drawing	07/22/16	T.C.	PART NUMBER:	
REVISIONS		DATE	BY	PERMETER:	DRAWING NUMBER: CS-000184	
LITER		ECN #	DATE	BY	DATE: 07/31/2015	

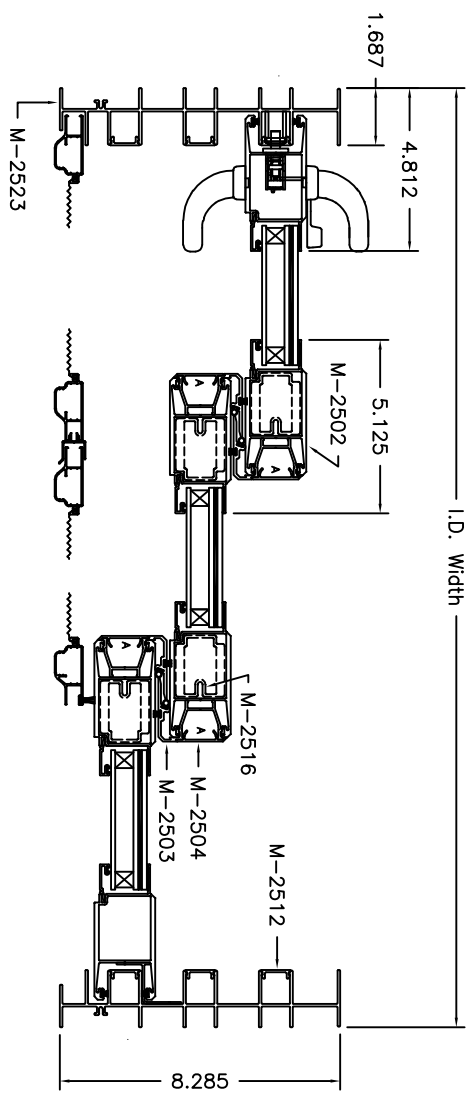
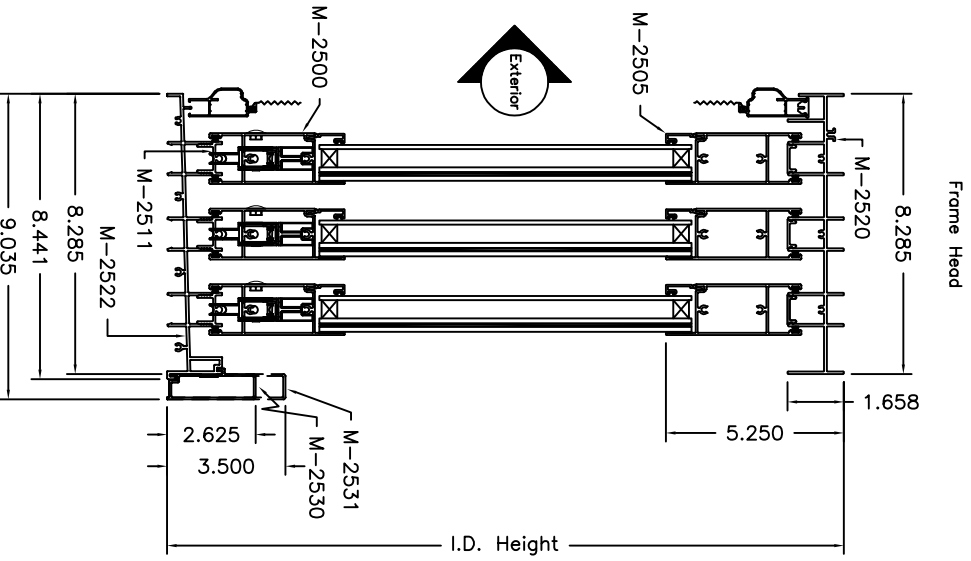
The information, design or data shown on this document or electronic media is the exclusive property of MI Windows and Doors, LLC. It is considered confidential and proprietary and is made available for limited use only. Its use or reproduction without the expressed written consent of MI Windows and Doors, LLC., is prohibited.



Coil Size	I.D. Size	Rough Opening
5-0 x 6-8	60" x 80"	60 1/2" x 80 1/2"
6-0 x 6-8	72" x 80"	72 1/2" x 80 1/2"
8-0 x 6-8	96" x 80"	96 1/2" x 80 1/2"
5-0 x 8-0	60" x 96"	60 1/2" x 96 1/2"
6-0 x 8-0	72" x 96"	72 1/2" x 96 1/2"
8-0 x 8-0	96" x 96"	96 1/2" x 96 1/2"
5-0 x 10-0	60" x 120"	60 1/2" x 120 1/2"
6-0 x 10-0	72" x 120"	72 1/2" x 120 1/2"
8-0 x 10-0	96" x 120"	96 1/2" x 120 1/2"

MATERIAL:		UNSPECIFIED WALL:		<p><b>MIND</b> MI WINDOWS AND DOORS 400 WEST MARKET STREET GAITHERSBURG, MD 20878</p> <p>The information, design or data shown on this document or electronic media is the exclusive property of MI Windows and Doors, LLC. It is considered confidential and proprietary and is made available for limited use only. Its use or reproduction without the expressed written consent of MI Windows and Doors, LLC., is prohibited.</p>	
FINISH:		AREC			
T.C.:		T.C.			
DATE:		DATE:			
REVISIONS:		PERMETERS:		BREAK ALL CORNERS R.015, UNLESS OTHERWISE SPECIFIED	
LITERATURE:		BY:		DATE:	
DESCRIPTION:		PRODUCT:		DATE:	
2-Track XX - Flange		Series 120 S.G.D.		07/31/15	
SCALE:		PART NUMBER:		DRAWING NUMBER:	
Half		CS-000185		CS-000185	





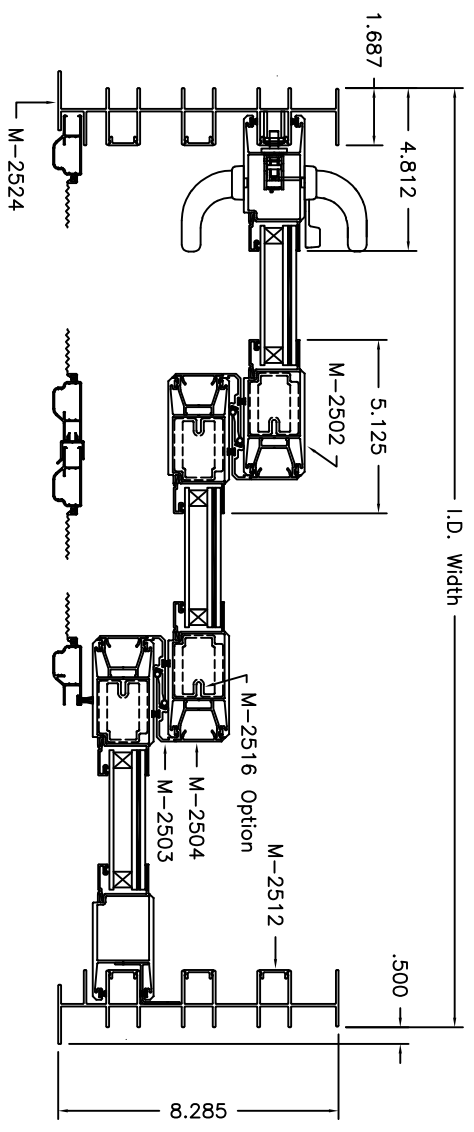
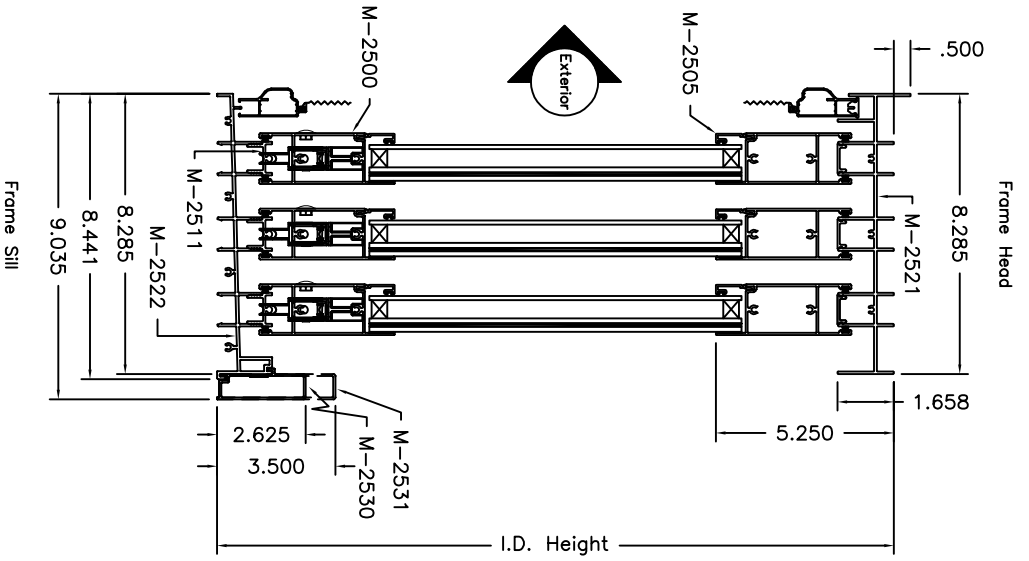
XIO Shown, OIX Opposite

Coil Size	I.D. Size	Rough Opening
7-6 x 6-8	87 3/4" x 80"	88 1/4" x 80 1/2"
9-0 x 6-8	105 3/4" x 80"	106 1/4" x 80 1/2"
12-0 x 6-8	141 3/4" x 80"	142 1/4" x 80 1/2"
7-6 x 8-0	87 3/4" x 96"	88 1/4" x 96 1/2"
9-0 x 8-0	105 3/4" x 96"	106 1/4" x 96 1/2"
12-0 x 8-0	141 3/4" x 96"	142 1/4" x 96 1/2"
7-6 x 10-0	87 3/4" x 120"	88 1/4" x 120 1/2"
9-0 x 10-0	105 3/4" x 120"	106 1/4" x 120 1/2"
12-0 x 10-0	141 3/4" x 120"	142 1/4" x 120 1/2"

MATERIAL:		UNSPECIFIED WALL:		DESCRIPTION: Cross Sectional Drawing, IG Impact	
FINISH:		AREC:		3-Track, XIO	
WEIGHT:		PERIMETER:		PRODUCT: 130	
DATE: 10/11/17		BY: T.C.		SCALE: 1 : 4	
REVISIONS:		DATE: 10/11/17		PART NUMBER:	
A		122A-17		DRAWING NUMBER: CS-000506	
ECN #		Added 10-0 Heights		DATE: 12/06/16	

**MIND** MI WINDOWS AND DOORS  
600 WEST MARKET STREET GAITHERSBURG, MD 20878

The information, design or data shown on this document or electronic media is the exclusive property of MI Windows and Doors, LLC. It is considered confidential and proprietary and is made available for limited use only. Its use or reproduction without the expressed written consent of MI Windows and Doors, LLC, is prohibited.



XIO Shown, OIX Opposite

Call Size	I.D. Size	Rough Opening
7-6 x 6-8	87 3/4" x 80"	88 1/4" x 80 1/2"
9-0 x 6-8	105 3/4" x 80"	106 1/4" x 80 1/2"
12-0 x 6-8	141 3/4" x 80"	142 1/4" x 80 1/2"
7-6 x 8-0	87 3/4" x 96"	88 1/4" x 96 1/2"
9-0 x 8-0	105 3/4" x 96"	106 1/4" x 96 1/2"
12-0 x 8-0	141 3/4" x 96"	142 1/4" x 96 1/2"
7-6 x 10-0	87 3/4" x 120"	88 1/4" x 120 1/2"
9-0 x 10-0	105 3/4" x 120"	106 1/4" x 120 1/2"
12-0 x 10-0	141 3/4" x 120"	142 1/4" x 120 1/2"

**MIND** MI WINDOWS AND DOORS  
 600 WEST MARKET STREET GAITHERSBURG, MD 20878

The information, design or data shown on this document or electronic media is the exclusive property of MI Windows and Doors, LLC. It is considered confidential and proprietary and is made available for limited use only. Its use or reproduction without the expressed written consent of MI Windows and Doors, LLC, is prohibited.

DESCRIPTION: Cross Sectional Drawing, IG Impact  
 3-Track, XIO, Flange Frame

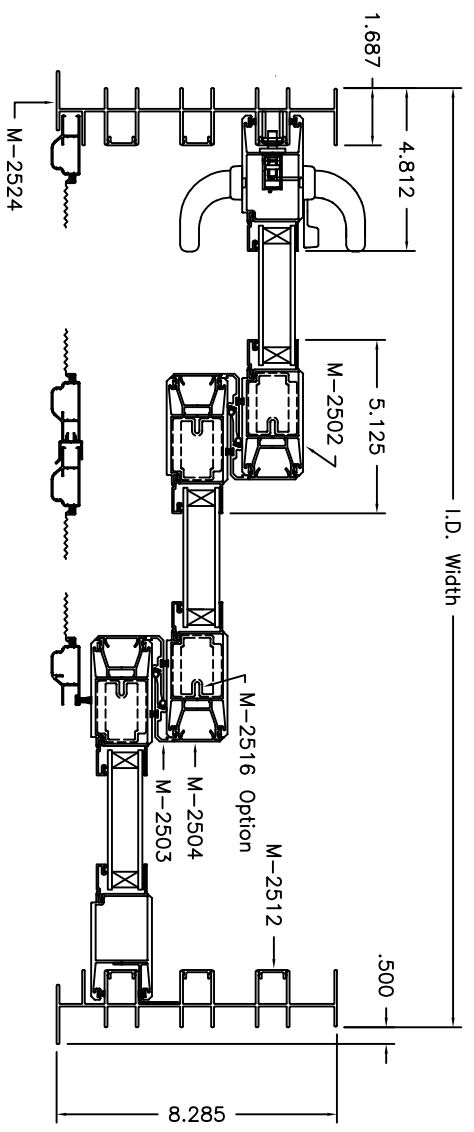
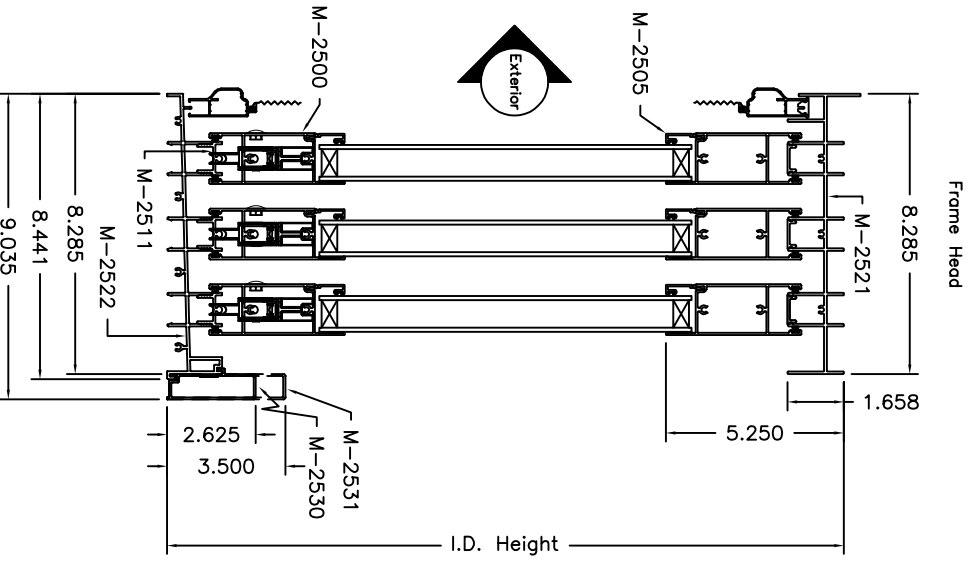
PRODUCT: 130  
 SCALE: 1 : 4  
 DATE: 12/06/16

PART NUMBER:  
 DRAWING NUMBER: CS-000508

MATERIAL:	
FINISH:	
AREA:	
WEIGHT:	
PERIMETER:	
UNSPECIFIED WALL:	BREAK ALL CORNERS R.015, UNLESS OTHERWISE SPECIFIED
DATE:	10/11/17
BY:	T.C.

122A-17	Added 10-0 Heights
ECN #	REVISIONS

LTR	
DATE	10/11/17
BY	T.C.
PERIMETER	
SCALE	1 : 4
DATE	12/06/16
PART NUMBER	
DRAWING NUMBER	CS-000508



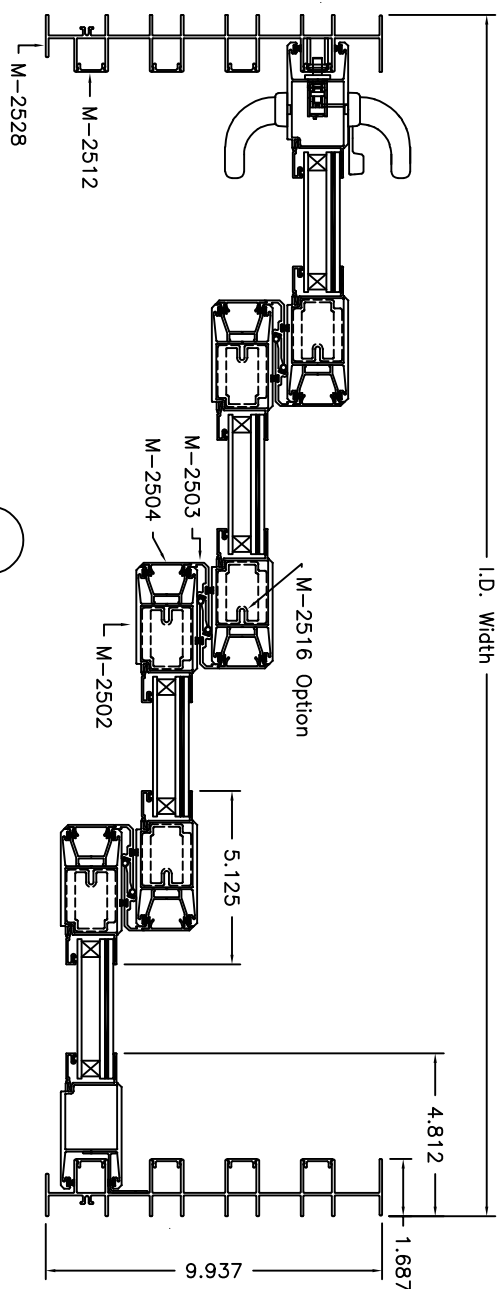
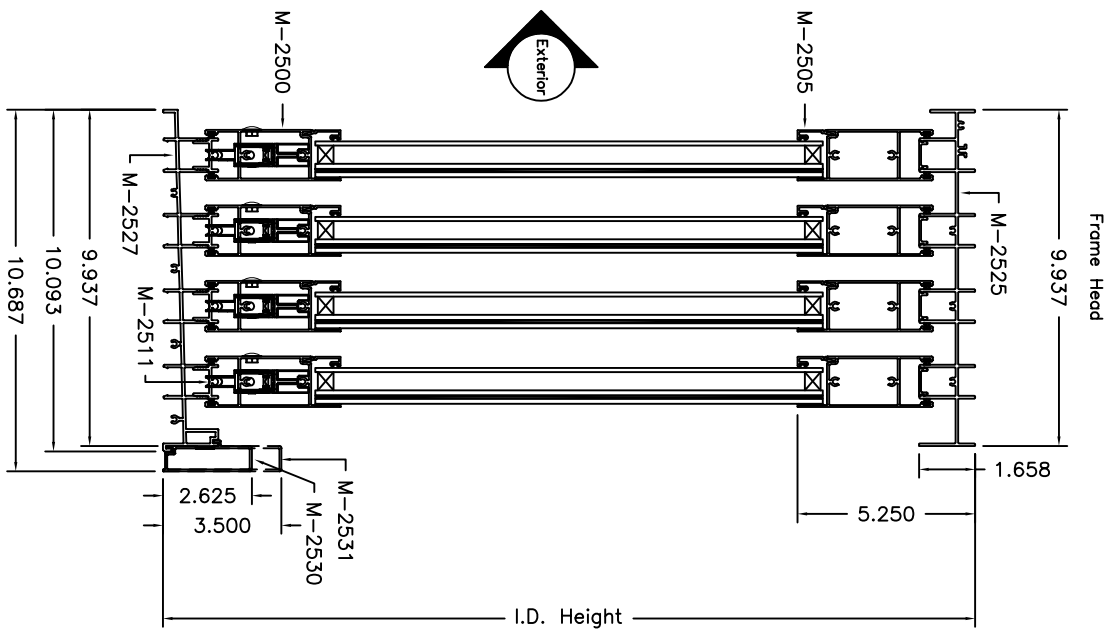
X10 shown, O1X Opposite

Call Size	I.D. Size	Rough Opening
7-6 x 6-8	87 3/4" x 80"	88 1/4" x 80 1/2"
9-0 x 6-8	105 3/4" x 80"	106 1/4" x 80 1/2"
12-0 x 6-8	141 3/4" x 80"	142 1/4" x 80 1/2"
7-6 x 8-0	87 3/4" x 96"	88 1/4" x 96 1/2"
9-0 x 8-0	105 3/4" x 96"	106 1/4" x 96 1/2"
12-0 x 8-0	141 3/4" x 96"	142 1/4" x 96 1/2"
7-6 x 10-0	87 3/4" x 120"	88 1/4" x 120 1/2"
9-0 x 10-0	105 3/4" x 120"	106 1/4" x 120 1/2"
12-0 x 10-0	141 3/4" x 120"	142 1/4" x 120 1/2"

MATERIAL:		UNSPECIFIED WALL:		DESCRIPTION: Cross Sectional Drawing, IG Non-Impact	
FINISH:		AREC:		3-Track, X10, Flange Frame	
WEIGHT:		PERIMETER:		PRODUCT: 130	
DATE: 10/11/17		BY: T.C.		SCALE: 1 : 4	
REVISIONS:		DATE: 10/11/17		PART NUMBER:	
A		122A-17		DRAWING NUMBER: CS-000509	
ECN #		Added 10-0 Heights		DATE: 12/06/16	

**MIND** MI WINDOWS AND DOORS  
600 WEST MARKET STREET SUITE 200  
GATZ, PA 17033-0370

The information, design or data shown on this document or electronic media is the exclusive property of MI Windows and Doors, LLC. It is considered confidential and proprietary and is made available for limited use only. Its use or reproduction without the expressed written consent of MI Windows and Doors, LLC, is prohibited.



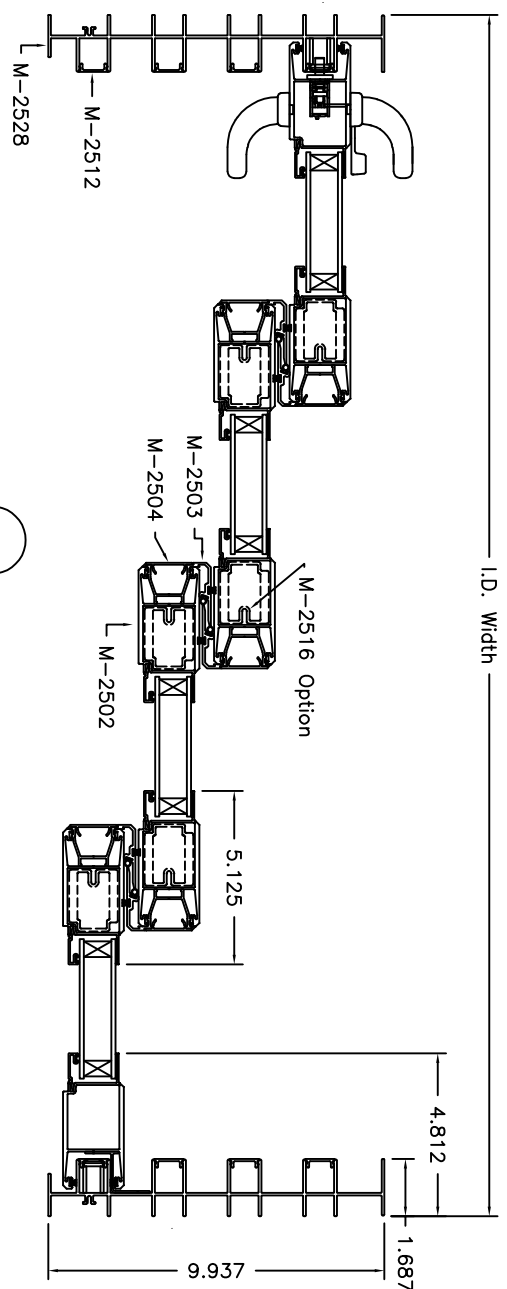
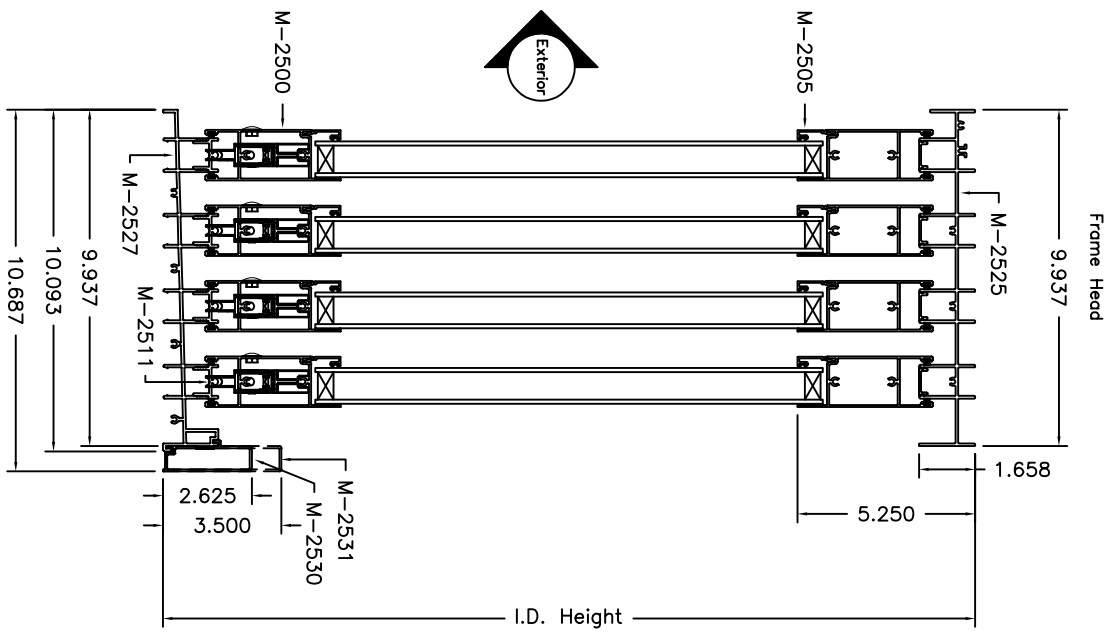
X110 Shown, OIX Opposite

Call Size	I.D. Size	Rough Opening
10-0 x 6-8	115 1/2" x 80"	116" x 80 1/2"
12-0 x 6-8	139 1/2" x 80"	140" x 80 1/2"
16-0 x 6-8	187 1/2" x 80"	188" x 80 1/2"
10-0 x 8-0	115 1/2" x 96"	116" x 96 1/2"
12-0 x 8-0	139 1/2" x 96"	140" x 96 1/2"
16-0 x 8-0	187 1/2" x 96"	188" x 96 1/2"
10-0 x 10-0	115 1/2" x 120"	116" x 120 1/2"
12-0 x 10-0	139 1/2" x 120"	140" x 120 1/2"
16-0 x 10-0	187 1/2" x 120"	188" x 120 1/2"

MATERIAL:		UNSPECIFIED WALL:		DESCRIPTION: Cross Sectional Drawing, IG Impact	
FINISH:		AREC:		4-Track, X110, Finless	
WEIGHT:		PERIMETER:		PRODUCT: 140	
DATE: 10/11/17		BY: T.C.		SCALE: 1 : 4	
REVISIONS:		DATE: 10/11/17		PART NUMBER:	
A		122A-17		DRAWING NUMBER: CS-000510	
EON #		Added 10-0 Height		DATE: 12/06/16	

**MIND** MI WINDOWS AND DOORS  
600 WEST MARKET STREET GAITHERSBURG, MD 20878

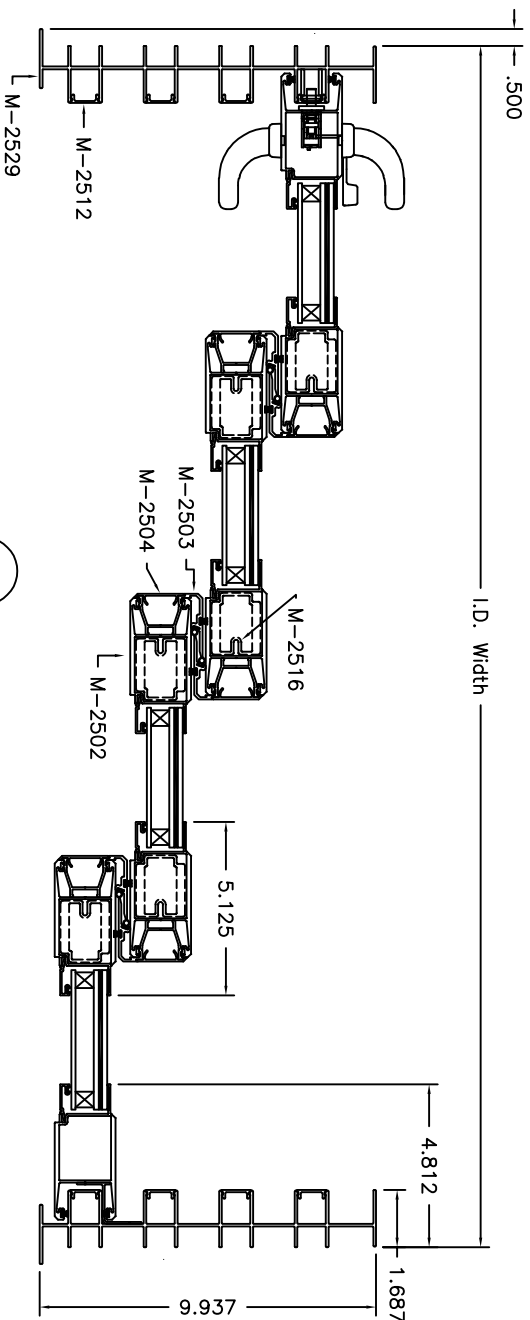
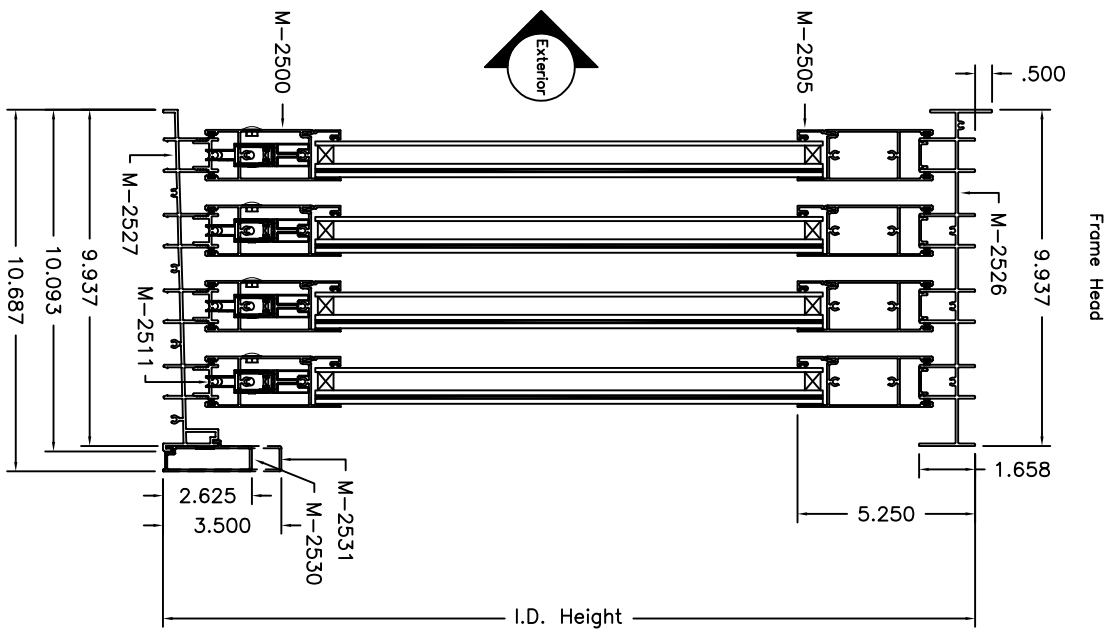
The information, design or data shown on this document or electronic media is the exclusive property of MI Windows and Doors, LLC. It is considered confidential and proprietary and is made available for limited use only. Its use or reproduction without the expressed written consent of MI Windows and Doors, LLC, is prohibited.



X110 shown, OIX Opposite

Call Size	I.D. Size	Rough Opening
10-0 x 6-8	115 1/2" x 80"	116" x 80 1/2"
12-0 x 6-8	139 1/2" x 80"	140" x 80 1/2"
16-0 x 6-8	187 1/2" x 80"	188" x 80 1/2"
10-0 x 8-0	115 1/2" x 96"	116" x 96 1/2"
12-0 x 8-0	139 1/2" x 96"	140" x 96 1/2"
16-0 x 8-0	187 1/2" x 96"	188" x 96 1/2"
10-0 x 10-0	115 1/2" x 120"	116" x 120 1/2"
12-0 x 10-0	139 1/2" x 120"	140" x 120 1/2"
16-0 x 10-0	187 1/2" x 120"	188" x 120 1/2"

MATERIAL:		UNSPECIFIED WALL:		<p><b>MIWD</b> MI WINDOWS AND DOORS 400 WEST MARKET STREET GAITHERSBURG, MD 20878-0370</p> <p>The information, design or data shown on this document or electronic media is the exclusive property of MI Windows and Doors, LLC. It is considered confidential and proprietary and is made available for limited use only. Its use or reproduction without the expressed written consent of MI Windows and Doors, LLC., is prohibited.</p>	
FINISH:		AREC:		<p>DESCRIPTION: Cross Sectional Drawing, IG Non-Impact 4-Track, X110, Finless</p>	
WEIGHT:		PERIMETER:		<p>PRODUCT: 140</p>	
DATE:		BY:		<p>SCALE: 1 : 4</p>	
REVISIONS:		T.C.:		<p>PART NUMBER:</p>	
ECN #		HEIGHTS		<p>DATE: 12/06/16</p>	
A		122A-17		<p>DFTM: T.C.</p>	
		Added 10-0 Heights		<p>DRAWING NUMBER: CS-000511</p>	



X10 Shown, O1X Opposite

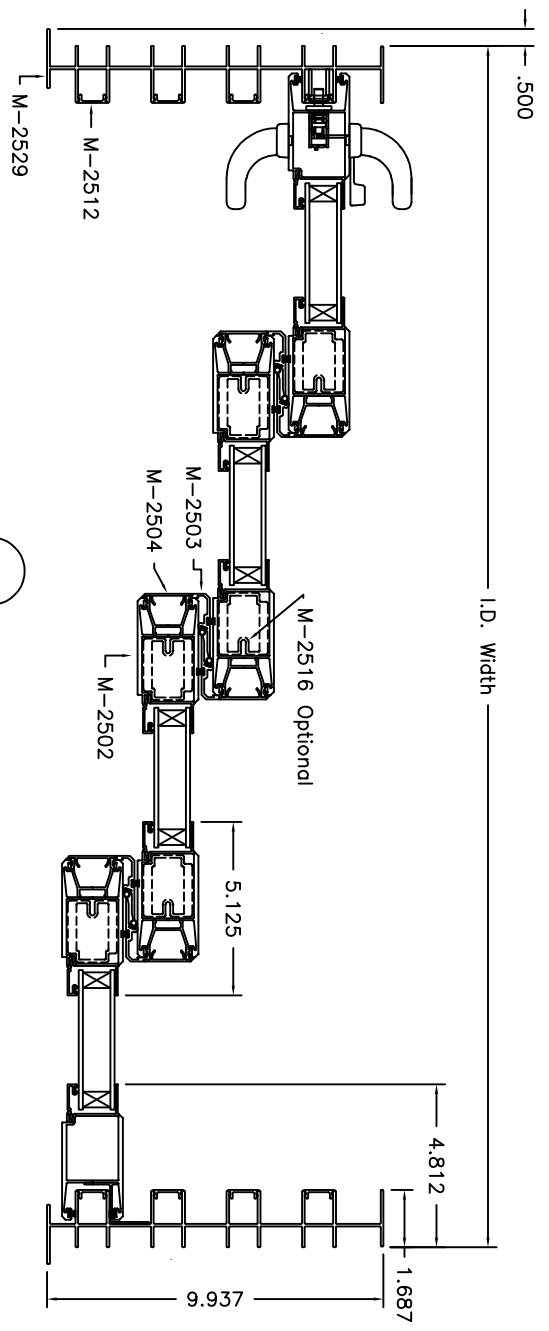
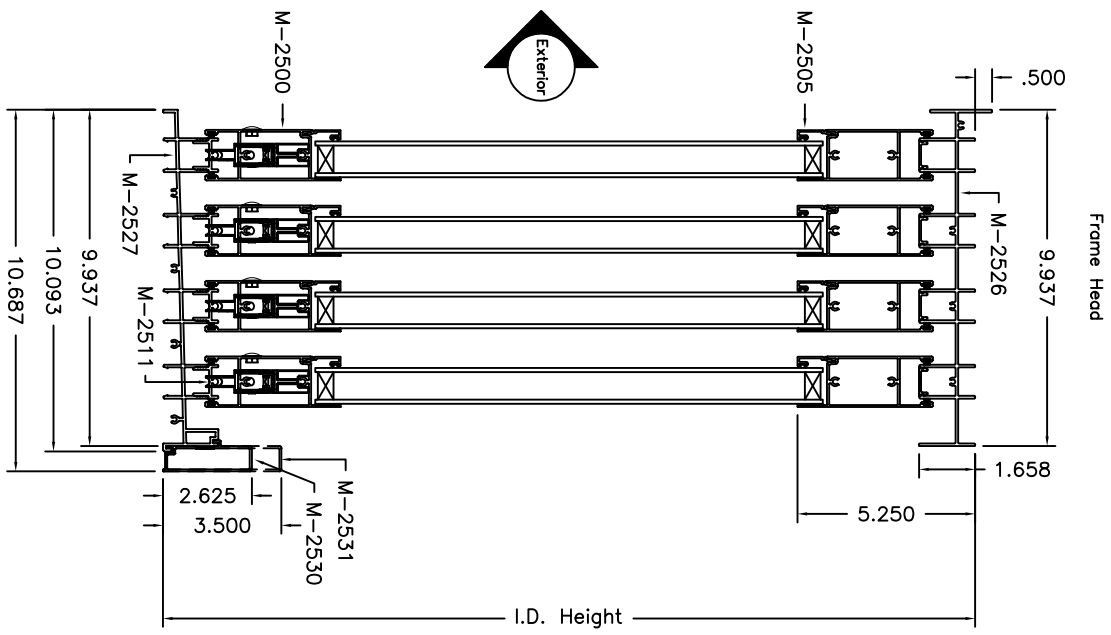
Coil Size	I.D. Size	Rough Opening
10-0 x 6-8	115 1/2" x 80"	116" x 80 1/2"
12-0 x 6-8	139 1/2" x 80"	140" x 80 1/2"
16-0 x 6-8	187 1/2" x 80"	188" x 80 1/2"
10-0 x 8-0	115 1/2" x 96"	116" x 96 1/2"
12-0 x 8-0	139 1/2" x 96"	140" x 96 1/2"
16-0 x 8-0	187 1/2" x 96"	188" x 96 1/2"
10-0 x 10-0	115 1/2" x 120"	116" x 120 1/2"
12-0 x 10-0	139 1/2" x 120"	140" x 120 1/2"
16-0 x 10-0	187 1/2" x 120"	188" x 120 1/2"

MATERIAL:		UNSPECIFIED WALL:		DESCRIPTION: Cross Sectional Drawing, IG Impact	
FINISH:		AREC:		4-Track, X10, Flange	
WEIGHT:		PERIMETER:		PRODUCT: 140	
T.C.:		DATE:		SCALE: 1 : 4	
BY:		DATE:		PART NUMBER:	
REVISIONS:		DATE:		DRAWING NUMBER: CS-000512	
A		122A-17		Added 10-0 Heights	
LITR		ECN #		DATE:	



The information, design or data shown on this document or electronic media is the exclusive property of MI Windows and Doors, LLC. It is considered confidential and proprietary and is made available for limited use only. Its use or reproduction without the expressed written consent of MI Windows and Doors, LLC., is prohibited.

DATE: 12/06/16



X110 Shown, O1X Opposite

Call Size	I.D. Size	Rough Opening
10-0 x 6-8	115 1/2" x 80"	116" x 80 1/2"
12-0 x 6-8	139 1/2" x 80"	140" x 80 1/2"
16-0 x 6-8	187 1/2" x 80"	188" x 80 1/2"
10-0 x 8-0	115 1/2" x 96"	116" x 96 1/2"
12-0 x 8-0	139 1/2" x 96"	140" x 96 1/2"
16-0 x 8-0	187 1/2" x 96"	188" x 96 1/2"
10-0 x 10-0	115 1/2" x 120"	116" x 120 1/2"
12-0 x 10-0	139 1/2" x 120"	140" x 120 1/2"
16-0 x 10-0	187 1/2" x 120"	188" x 120 1/2"

MATERIAL:		UNSPECIFIED WALL:		<p><b>MIWD</b> MI WINDOWS AND DOORS          600 WEST MARKET STREET GAITHERSBURG, MD 20878</p> <p>The information, design or data shown on this document or electronic media is the exclusive property of MI Windows and Doors, LLC. It is considered confidential and proprietary and is made available for limited use only. Its use or reproduction without the expressed written consent of MI Windows and Doors, LLC., is prohibited.</p>	
FINISH:		AREC:			
REVISIONS:		DATE:		PERIMETER:	
A		122A-17		Added 10-0 Heights	
LITR		ECN #		10/11/17	
DESCRIPTION: Cross Sectional Drawing, IG Non-Impact		4-Track, X110, Flange		DATE: 12/06/16	
SCALE: 1 : 4		PART NUMBER:		DRAWING NUMBER: CS-000513	
DFTM: T.C.					