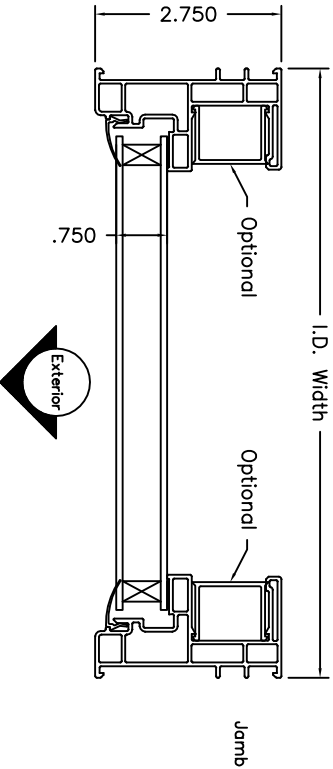
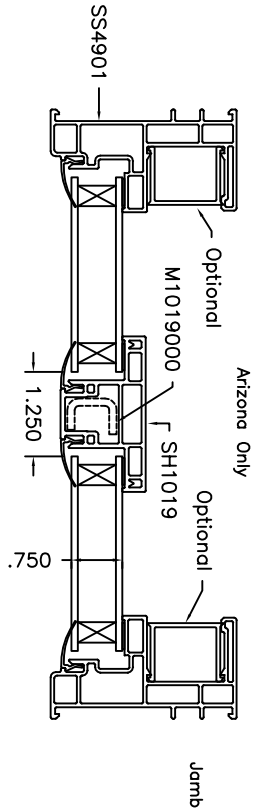
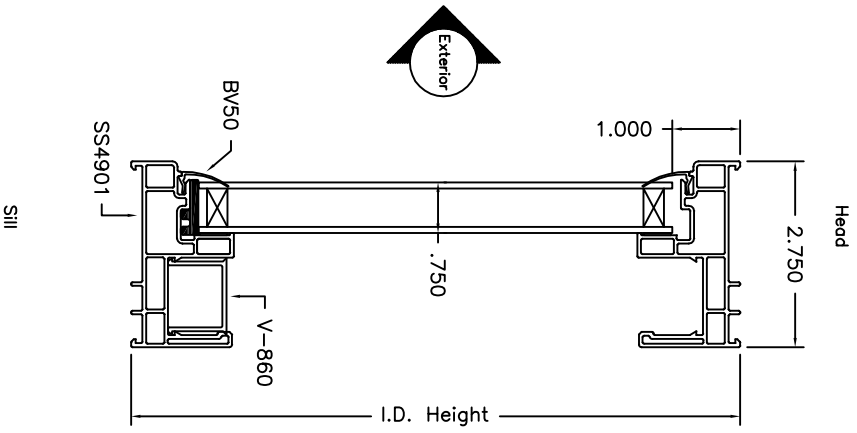
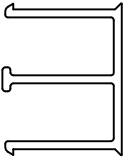


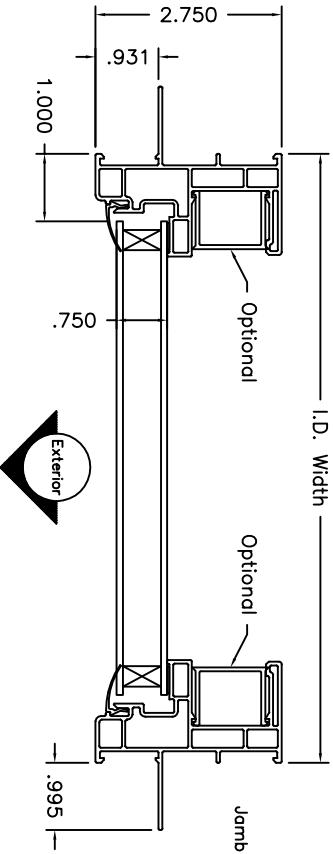
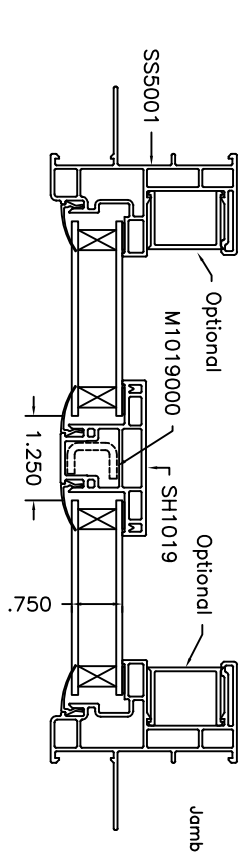
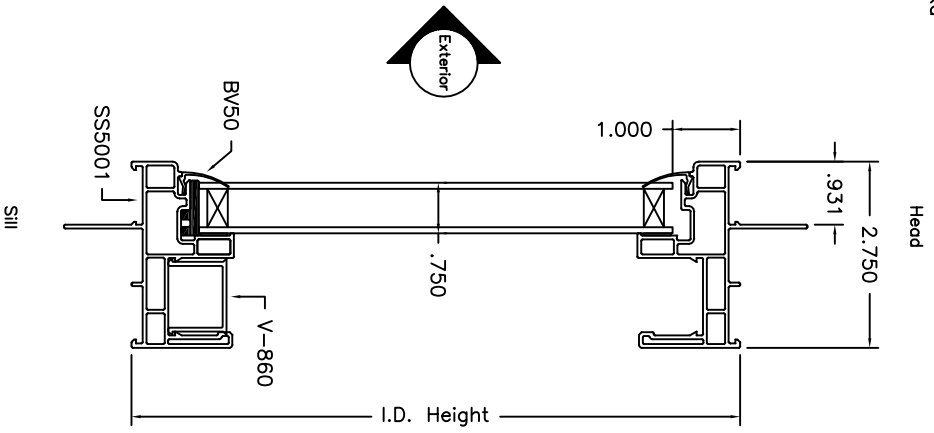
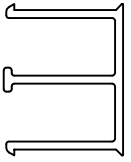
Track Filler
 Secondary Supplier Yeka
 Yeka Shape # AC02



5610 Rectangular Units
 5900 Specialty Bent Units

| | | | | |
|--------------|---------|--|-----------|---|
| MATERIAL: | | UNSPECIFIED WALL: | | <p>MIWD MI WINDOWS AND DOORS 600 WEST MARKET STREET GAITHERSBURG, MD 20878-1070</p> <p>The information, design or data shown on this document or electronic media is the exclusive property of MI Windows and Doors, LLC. It is considered confidential and proprietary and is made available for limited use only. Its use or reproduction without the expressed written consent of MI Windows and Doors, LLC., is prohibited.</p> |
| FINISH: | | AREC: | | |
| WEIGHT: | | PERMETER: | | |
| T.C.: | | DATE: | | |
| B | 053A-16 | Removed option for frame head track filler | 04/14/16 | T.C. |
| LITER | | ECN # | REVISIONS | DATE |
| DESCRIPTION: | | Cross Sectional Drawing | | |
| PRODUCT: | | 5610 and 5900 | | |
| SCALE: | | PART NUMBER: | | |
| DFTM: T.C. | | DRAWING NUMBER: CS-000317 | | |
| DATE: | | 10/14/09 | | |

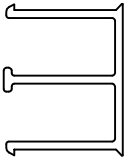
Track Filler
 Secondary Supplier Yeka
 Yeka Shape # ACO2



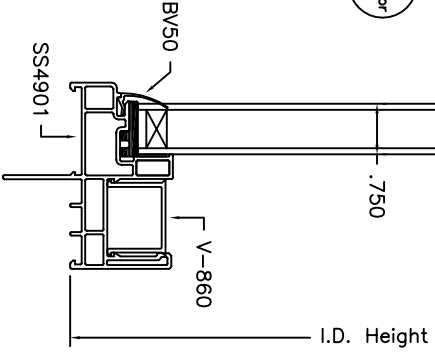
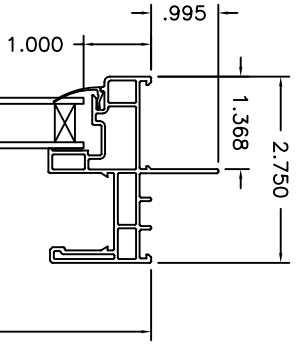
5610 Rectangular Units
 5900 Specialty Bent Units

| | | | | | | | |
|------------|---------|--|--|--|--------------|---|-----------|
| MATERIAL: | | UNSPECIFIED WALL: | | <p>MiWD MI WINDOWS AND DOORS 600 WEST MARKET STREET SUITE 201 PHILADELPHIA, PA 19106-3370</p> <p>The information, design or data shown on this document or electronic media is the exclusive property of Mi Windows and Doors, LLC. It is considered confidential and proprietary and is made available for limited use only; its use or reproduction without the expressed written consent of Mi Windows and Doors, LLC, is prohibited.</p> | DESCRIPTION: | Cross Sectional Drawing 1" Fin Setback | |
| FINISH: | | ARCK | | | PRODUCT: | 5610 and 5900 | DATE: |
| WEIGHT: | | PERMETER: | | SCALE: | Half | PART NUMBER: | |
| REVISIONS: | | DATE: | | DFTM: | T.C. | DRAWING NUMBER: | CS-000316 |
| B | 053A-16 | Removed option for frame head track filler | | | | | |
| LTR | ECN # | | | | | | |

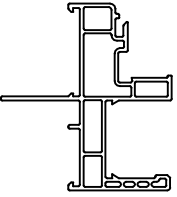
Track Filler
 Secondary Supplier Yeka
 Yeka Shape # ACO2



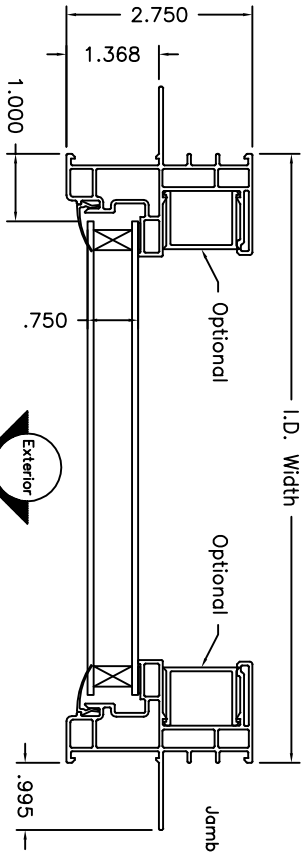
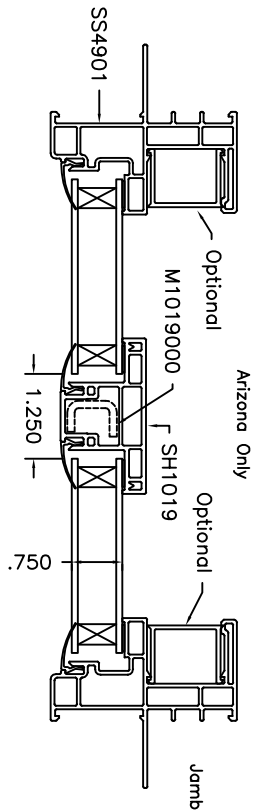
Head



Texas Only
 Use this shape to bend.
 SS4901-W/Ribs



Shown Half Scale

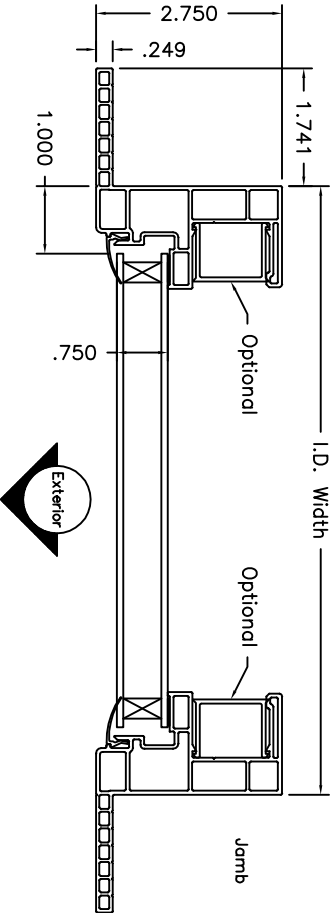
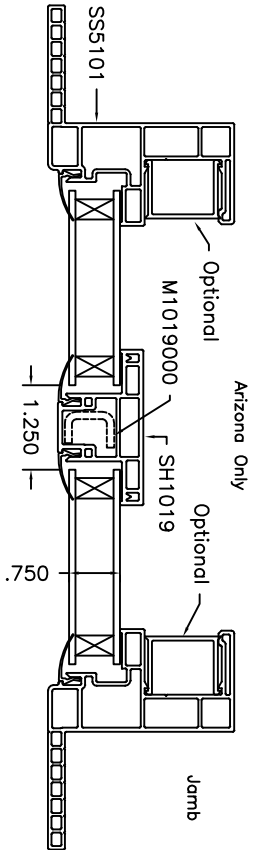
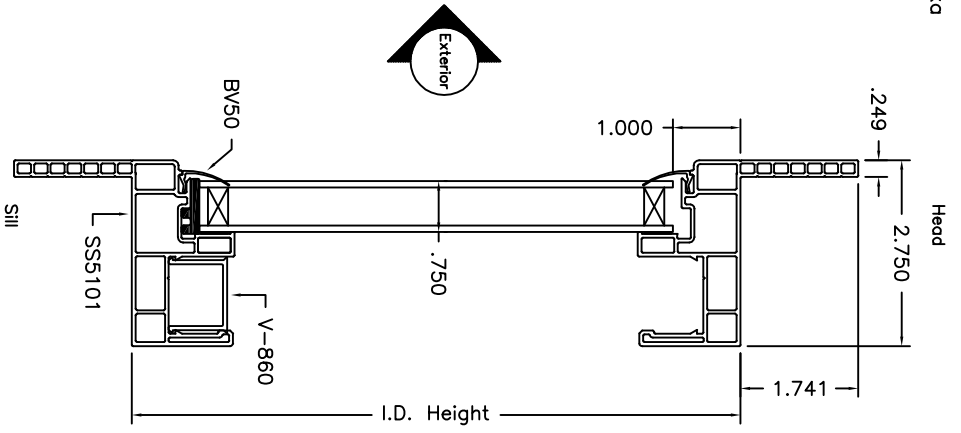
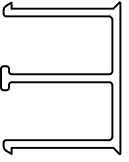


5610 Rectangular Units
 5900 Specialty Bent Units

| | | | | | | |
|------------|---------|--|--|--|-------------------------|--|
| MATERIAL: | | UNSPECIFIED WALL: | | MIWID MI WINDOWS AND DOORS <small>600 WEST MARKET STREET SUITE 200 PHILADELPHIA, PA 19106-3370</small> | DESCRIPTION: | |
| FINISH: | | ARCA | | | Cross Sectional Drawing | |
| WEIGHT: | | PERIMETER: | | | 1 3/8" Fin Setback | |
| REVISIONS: | | DATE: | | | DATE: 10/14/09 | |
| B | 053A-16 | Removed option for frame head track filler | | PRODUCT: 5610 and 5900 | | |
| LTR | ECN # | REVISIONS | | SCALE: Half | | |
| | | | | PART NUMBER: | | |
| | | | | DRAWING NUMBER: CS-000315 | | |

The information, design or data shown on this document or electronic media is the exclusive property of MI Windows and Doors, LLC. It is considered confidential and proprietary and is made available for limited use only. Its use or reproduction without the expressed written consent of MI Windows and Doors, LLC, is prohibited.

Track Filler
 Secondary Supplier Veka
 Veka Shape # ACC02

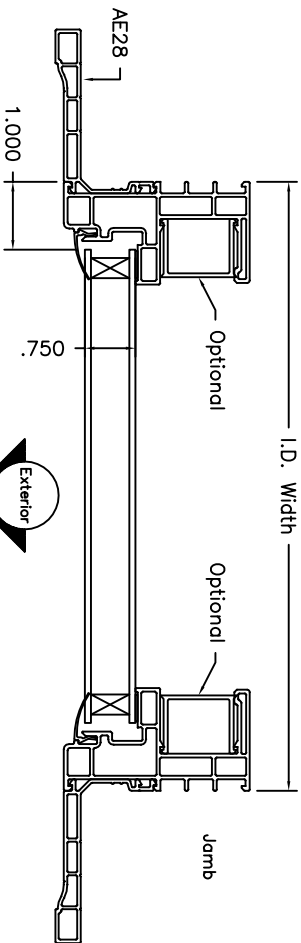
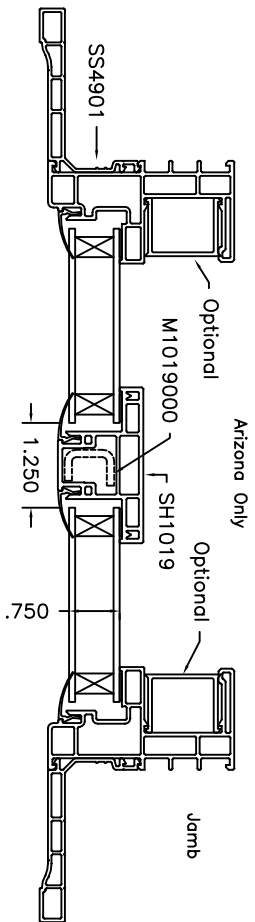
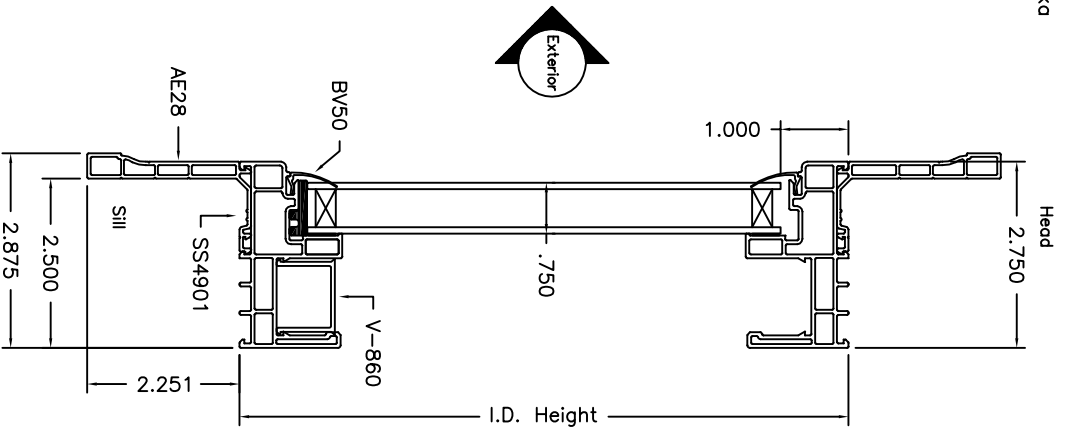
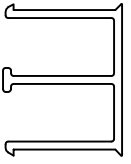


5610 Rectangular Units
 5900 Specialty Bent Units

| | | | | | | |
|------------|---------|---|--|---|-------------------------|---------------------------|
| MATERIAL: | | UNSPECIFIED WALL: | | MIWD MI WINDOWS AND DOORS <small>600 WEST MARKET STREET SUITE 201 PHILADELPHIA, PA 19106-3370</small> | DESCRIPTION: | |
| FINISH: | | ARBEK | | | Cross Sectional Drawing | |
| WEIGHT: | | BREAK ALL CORNERS R.015, UNLESS OTHERWISE SPECIFIED | | | 1 3/4" Flange | |
| PERIMETER: | | | | | DATE: 10/14/09 | |
| B | 053A-16 | Removed option for frame head track filler | | 04/14/16 | T.C. | PART NUMBER: |
| LTR | EON # | REVISIONS | | DATE | BY | DRAWING NUMBER: CS-000318 |

The information, design or data shown on this document or electronic media is the exclusive property of MI Windows and Doors, LLC. It is considered confidential and proprietary and is made available for limited use only; its use or reproduction without the expressed written consent of MI Windows and Doors, LLC, is prohibited.

Track Filler
 Secondary Supplier Yeka
 Yeka Shape # ACO2



5610 Rectangular Units
 5900 Specialty Bent Units

| | | | | |
|--------------|---------|---|---------------|---|
| MATERIAL: | | UNSPECIFIED WALL: | | <p>MIWD MI WINDOWS AND DOORS 600 WEST MARKET STREET SUITE 200 PHILADELPHIA, PA 19106-3370</p> <p>The information, design or data shown on this document or electronic media is the exclusive property of MI Windows and Doors, LLC. It is considered confidential and proprietary and is made available for limited use only. Its use or reproduction without the expressed written consent of MI Windows and Doors, LLC, is prohibited.</p> |
| FINISH: | | BREAk ALL CORNERS R.015, UNLESS OTHERWISE SPECIFIED | | |
| WEIGHT: | | PERIMETER: | | |
| DATE: | | BY: | | |
| B | 053A-16 | Removed option for frame head track filler | 04/14/16 T.C. | |
| LTR | EON # | REVISIONS | | |
| DESCRIPTION: | | Cross Sectional Drawing | | DATE: 03/20/13 |
| SCALE: Half | | PRODUCT: 5610 and 5900 | | PART NUMBER: |
| DFTM: T.C. | | DRAWING NUMBER: CS-000319 | | |