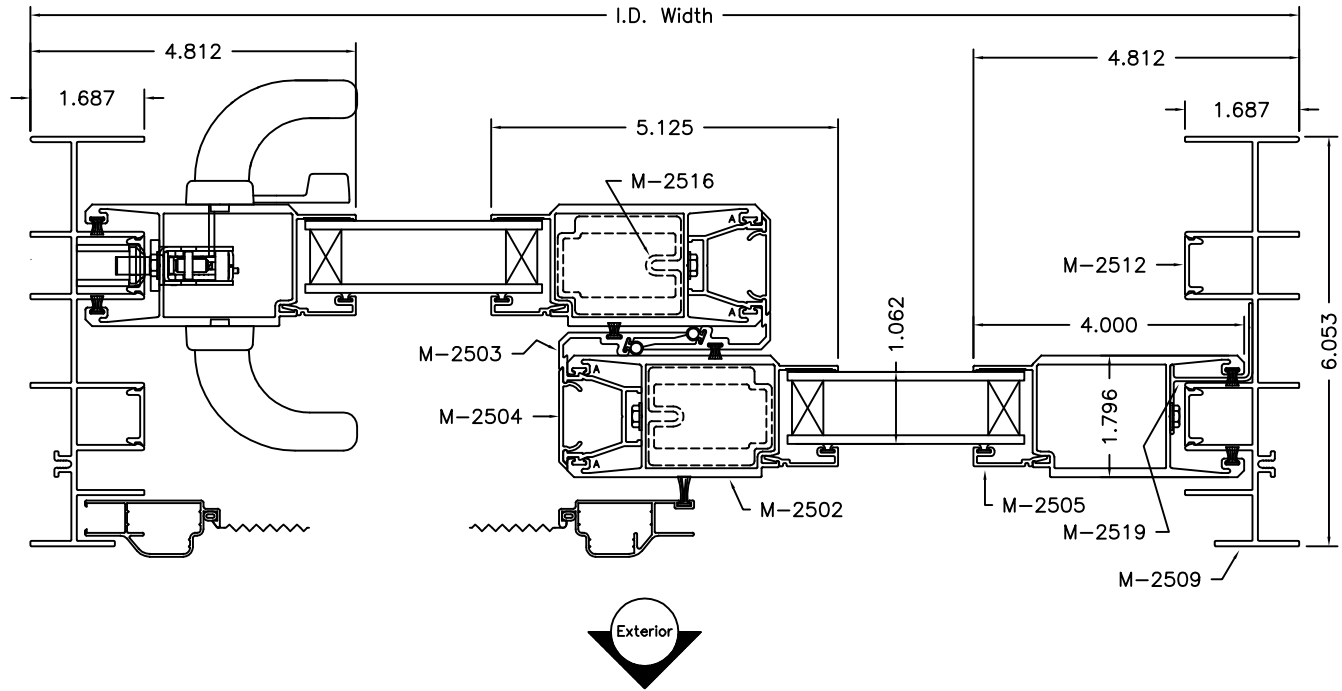
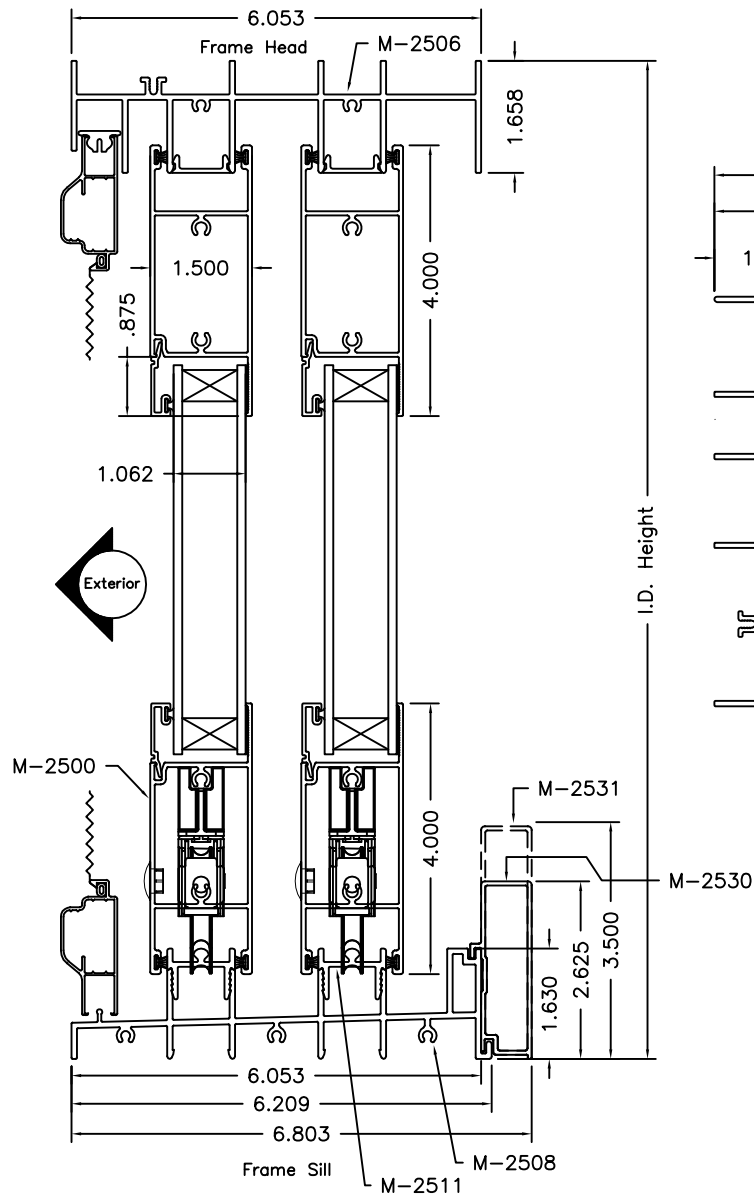


XO Shown, OX Opposite


Call Size	I.D. Size	Rough Opening
5-0 x 6-8	60" x 80"	60 1/2" x 80 1/2"
6-0 x 6-8	72" x 80"	72 1/2" x 80 1/2"
8-0 x 6-8	96" x 80"	96 1/2" x 80 1/2"
5-0 x 8-0	60" x 96"	60 1/2" x 96 1/2"
5-0 x 8-0	72" x 96"	72 1/2" x 96 1/2"
5-0 x 8-0	96" x 96"	96 1/2" x 96 1/2"

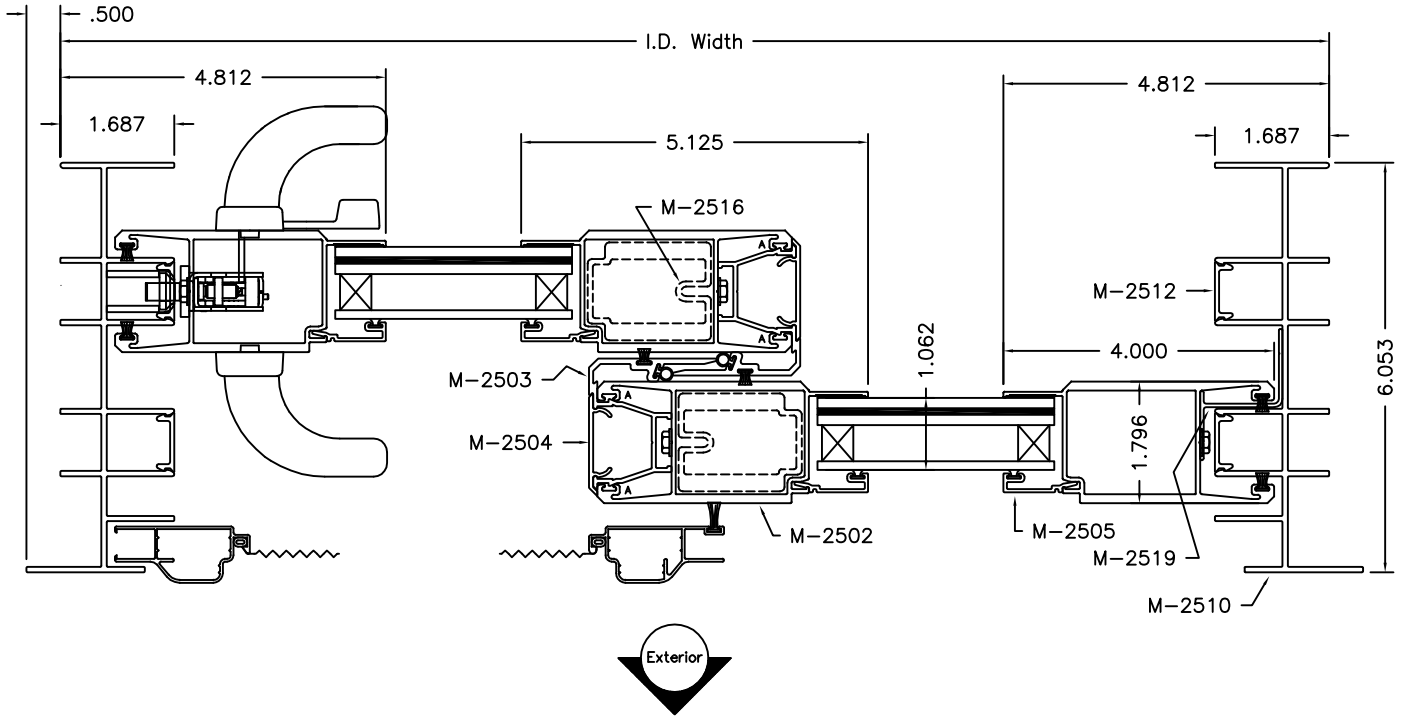
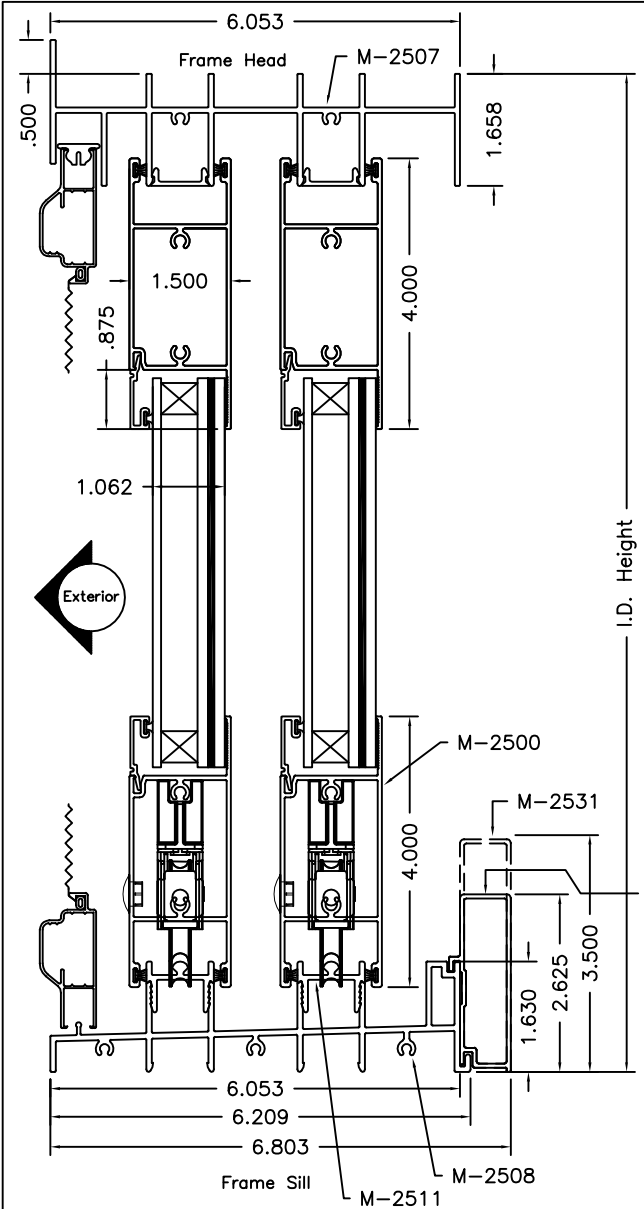
					MATERIAL: FINISH: UNSPECIFIED WALL: AREA: WEIGHT: BREAK ALL CORNERS R.015, UNLESS OTHERWISE SPECIFIED PERIMETER:		MIWD MI WINDOWS AND DOORS 650 WEST MARKET STREET GRATZ, PA 17030-0370 The information, design or data shown on this document or electronic media is the exclusive property of MI Windows and Doors, LLC. It is considered confidential and proprietary and is made available for limited use only. Its use or reproduction without the expressed written consent of MI Windows and Doors, LLC., is prohibited.		DESCRIPTION: Cross Sectional Drawing, IG Impact 2-Track XO, OX PRODUCT: Series 120 S.G.D. DATE: 06/23/2014 SCALE: Half PART NUMBER: DFTM: T.C. DRAWING NUMBER: CS-000093	
A	110C-16	Removed W-strip from Panel nterlock stile	08/09/16	T.C.						
-	110B-16	Initial release of cross sectional drawing	07/22/16	T.C.						
LTR	ECN #	REVISIONS	DATE	BY						



XO Shown, OX Opposite


Call Size	I.D. Size	Rough Opening
5-0 x 6-8	60" x 80"	60 1/2" x 80 1/2"
6-0 x 6-8	72" x 80"	72 1/2" x 80 1/2"
8-0 x 6-8	96" x 80"	96 1/2" x 80 1/2"
5-0 x 8-0	60" x 96"	60 1/2" x 96 1/2"
5-0 x 8-0	72" x 96"	72 1/2" x 96 1/2"
5-0 x 8-0	96" x 96"	96 1/2" x 96 1/2"

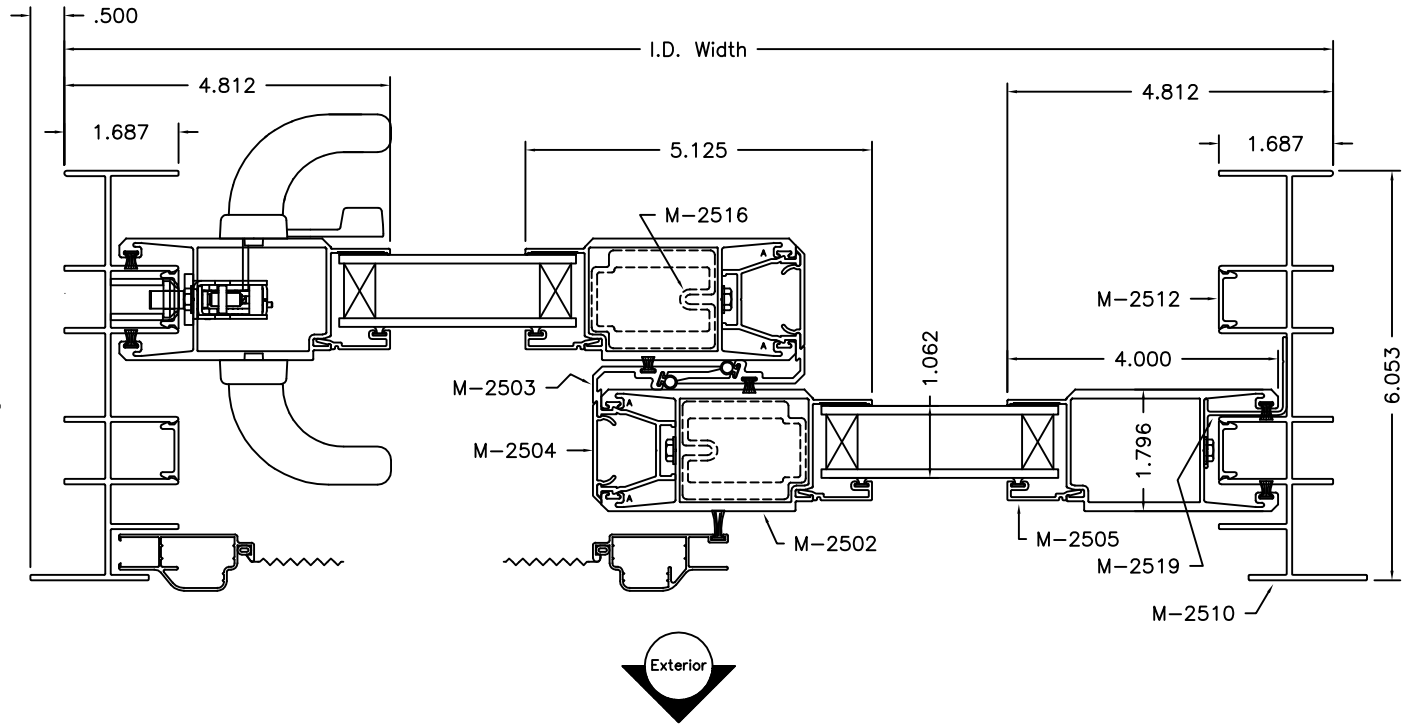
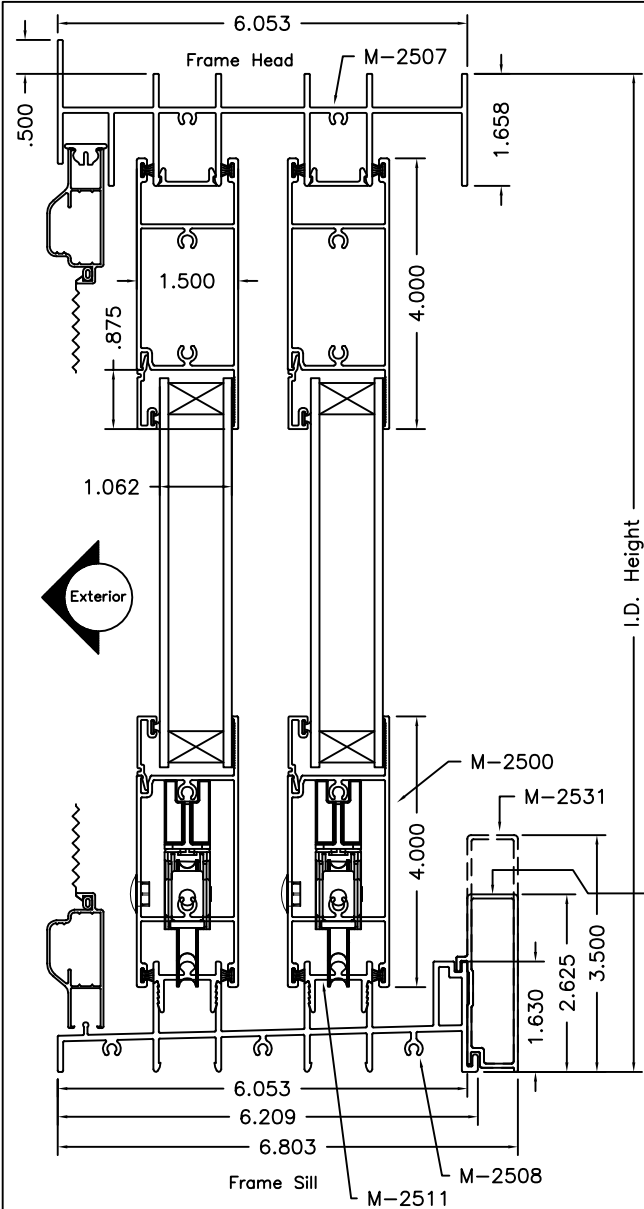
					MATERIAL: FINISH: AREA: WEIGHT: PERIMETER:		 <p>650 WEST MARKET STREET GRATZ, PA 17030-0370</p> <p>The information, design or data shown on this document or electronic media is the exclusive property of MI Windows and Doors, LLC. It is considered confidential and proprietary and is made available for limited use only. Its use or reproduction without the expressed written consent of MI Windows and Doors, LLC., is prohibited.</p>	DESCRIPTION: Cross Sectional Drawing, IG Non-Impact 2-Track XO, OX	
					UNSPECIFIED WALL: BREAK ALL CORNERS R.015, UNLESS OTHERWISE SPECIFIED			PRODUCT: Series 120 S.G.D.	
								DATE: 07/13/2015	
								SCALE: Half	
A	110C-16	Removed w-strip from panel interlock stile	08/09/16	T.C.			PART NUMBER:		
-	110B-16	Initial release of cross sectional drawing	07/22/16	T.C.			DFTM: T.C.		
LTR	ECN #	REVISIONS	DATE	BY			DRAWING NUMBER: CS-000097		



XO Shown, OX Opposite

Call Size	I.D. Size	Rough Opening
5-0 x 6-8	60" x 80"	60 1/2" x 80 1/2"
6-0 x 6-8	72" x 80"	72 1/2" x 80 1/2"
8-0 x 6-8	96" x 80"	96 1/2" x 80 1/2"
5-0 x 8-0	60" x 96"	60 1/2" x 96 1/2"
5-0 x 8-0	72" x 96"	72 1/2" x 96 1/2"
5-0 x 8-0	96" x 96"	96 1/2" x 96 1/2"

				MATERIAL: FINISH: AREA: WEIGHT: PERIMETER:		 MI WINDOWS AND DOORS 650 WEST MARKET STREET GRATZ, PA 17030-0370 The information, design or data shown on this document or electronic media is the exclusive property of MI Windows and Doors, LLC. It is considered confidential and proprietary and is made available for limited use only. Its use or reproduction without the expressed written consent of MI Windows and Doors, LLC., is prohibited.	DESCRIPTION: Cross Sectional Drawing, IG Impact 2-Track XO, OX - Flange	
				UNSPECIFIED WALL: BREAK ALL CORNERS R.015, UNLESS OTHERWISE SPECIFIED			PRODUCT: Series 120 S.G.D.	
							DATE: 07/14/2015	
							SCALE: Half	
REVISIONS						PART NUMBER:		
LTR						DFTM: T.C.		
ECN #						DRAWING NUMBER: CS-000099		
DATE								
BY								
REMOVED								
INITIAL RELEASE								
REMOVED								



XO Shown, OX Opposite

Call Size	I.D. Size	Rough Opening
5-0 x 6-8	60" x 80"	60 1/2" x 80 1/2"
6-0 x 6-8	72" x 80"	72 1/2" x 80 1/2"
8-0 x 6-8	96" x 80"	96 1/2" x 80 1/2"
5-0 x 8-0	60" x 96"	60 1/2" x 96 1/2"
5-0 x 8-0	72" x 96"	72 1/2" x 96 1/2"
5-0 x 8-0	96" x 96"	96 1/2" x 96 1/2"

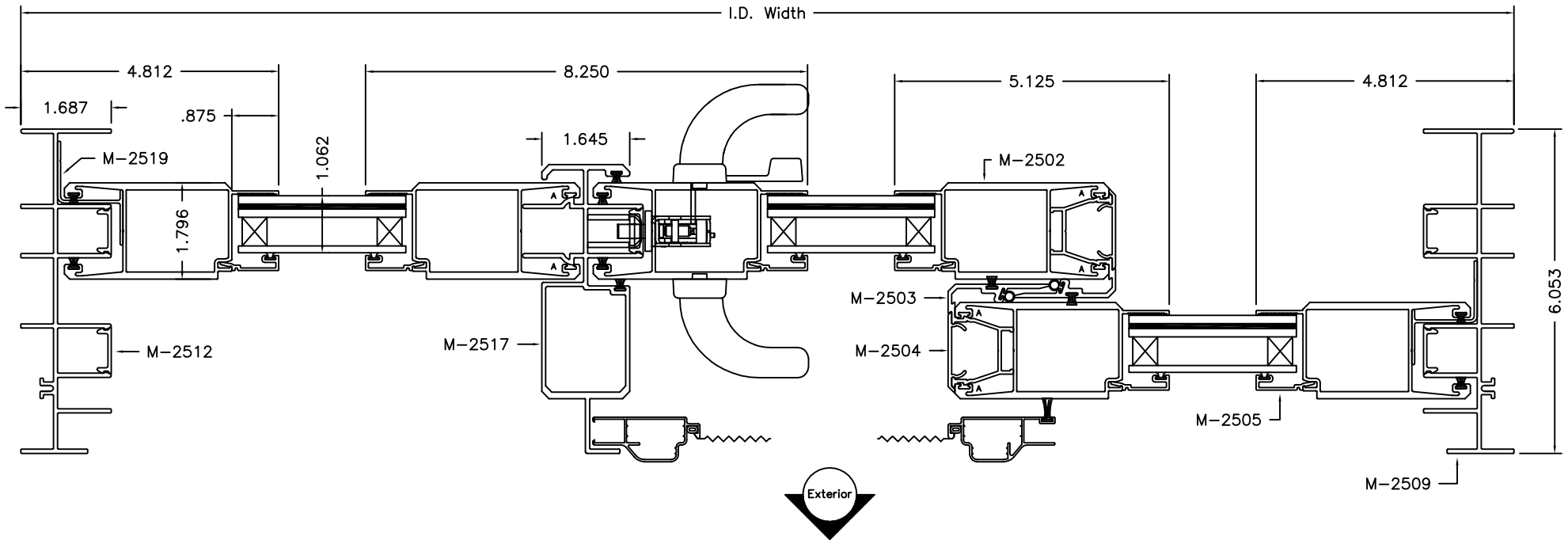
LTR	ECN #	REVISIONS	DATE	BY
A	110C-16	Removed w-strip from panel interlock stile	08/09/16	T.C.
-	110B-16	Initial release of cross sectional drawing	07/22/16	T.C.

MATERIAL:	UNSPECIFIED WALL:
FINISH:	
AREA:	
WEIGHT:	
PERIMETER:	

MIWD MI WINDOWS AND DOORS
 650 WEST MARKET STREET GRATZ, PA 17030-0370


The information, design or data shown on this document or electronic media is the exclusive property of MI Windows and Doors, LLC. It is considered confidential and proprietary and is made available for limited use only. Its use or reproduction without the expressed written consent of MI Windows and Doors, LLC., is prohibited.

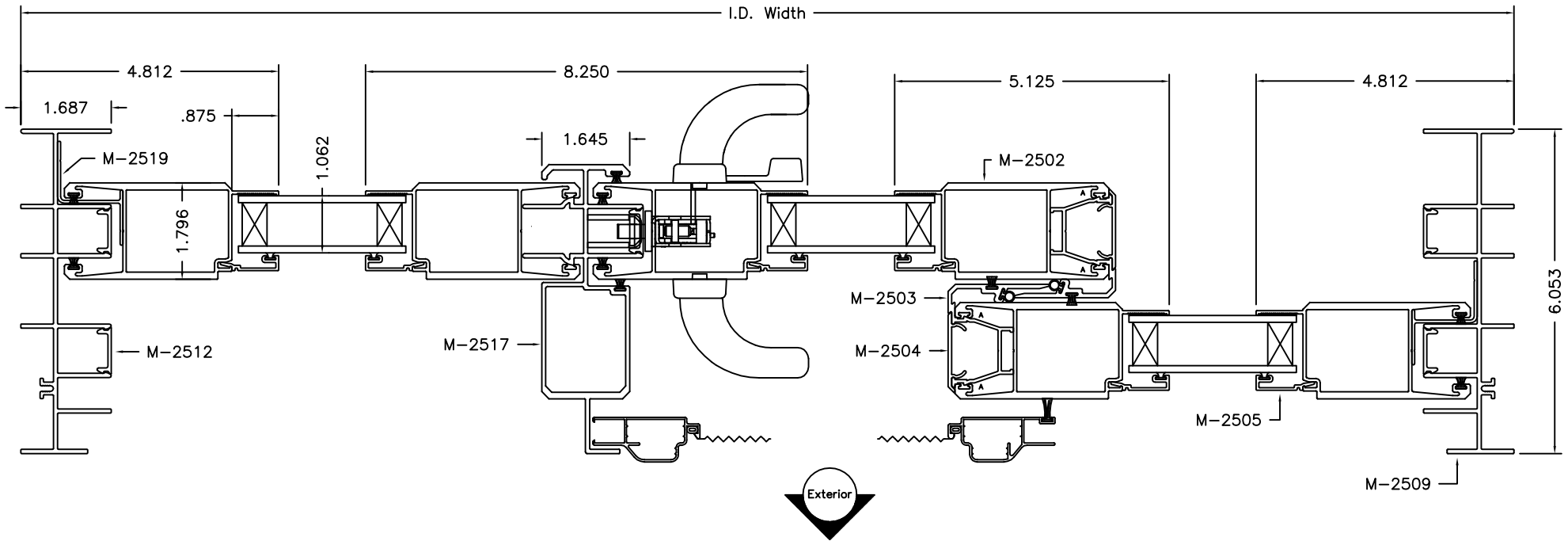
DESCRIPTION: Cross Sectional Drawing, IG Non-Impact 2-Track XO, OX - Flange	
PRODUCT: Series 120 S.G.D.	DATE: 07/14/2015
SCALE: Half	PART NUMBER:
DFTM: T.C.	DRAWING NUMBER: CS-000100



Call Size	I.D. Size	Rough Opening
7-6 x 6-8	90 7/8" x 80"	91 3/8" x 80 1/2"
9-0 x 6-8	108 7/8" x 80"	109 3/8" x 80 1/2"
12-0 x 6-8	144 7/8" x 80"	145 3/8" x 80 1/2"
7-6 x 8-0	90 7/8" x 96"	91 3/8" x 96 1/2"
9-0 x 8-0	108 7/8" x 96"	109 3/8" x 96 1/2"
12-0 x 8-0	144 7/8" x 96"	145 3/8" x 96 1/2"


For Vertical Sectional Drawing, see 2-panel drawing.

						MATERIAL:	 <small>650 WEST MARKET STREET GRATZ, PA 17030-0370</small>	DESCRIPTION: OXO Horizontal Cross Section IG Impact, Finless Frame				
						FINISH:		UNSPECIFIED WALL:	PRODUCT: 120	DATE: 07/14/2015		
						AREA:		BREAK ALL CORNERS R.015, UNLESS OTHERWISE SPECIFIED	SCALE: Half		PART NUMBER:	
A	110C-16	Removed w-strip from panel snap stiles	08/09/16	T.C.		WEIGHT:			DFTM: T.C.		DRAWING NUMBER: CS-000102	
-	110B-16	Initial release of cross sectional drawing	07/22/16	T.C.		PERIMETER:			The information, design or data shown on this document or electronic media is the exclusive property of MI Windows and Doors, LLC. It is considered confidential and proprietary and is made available for limited use only. Its use or reproduction without the expressed written consent of MI Windows and Doors, LLC., is prohibited.			
LTR	ECN #	REVISIONS	DATE	BY								

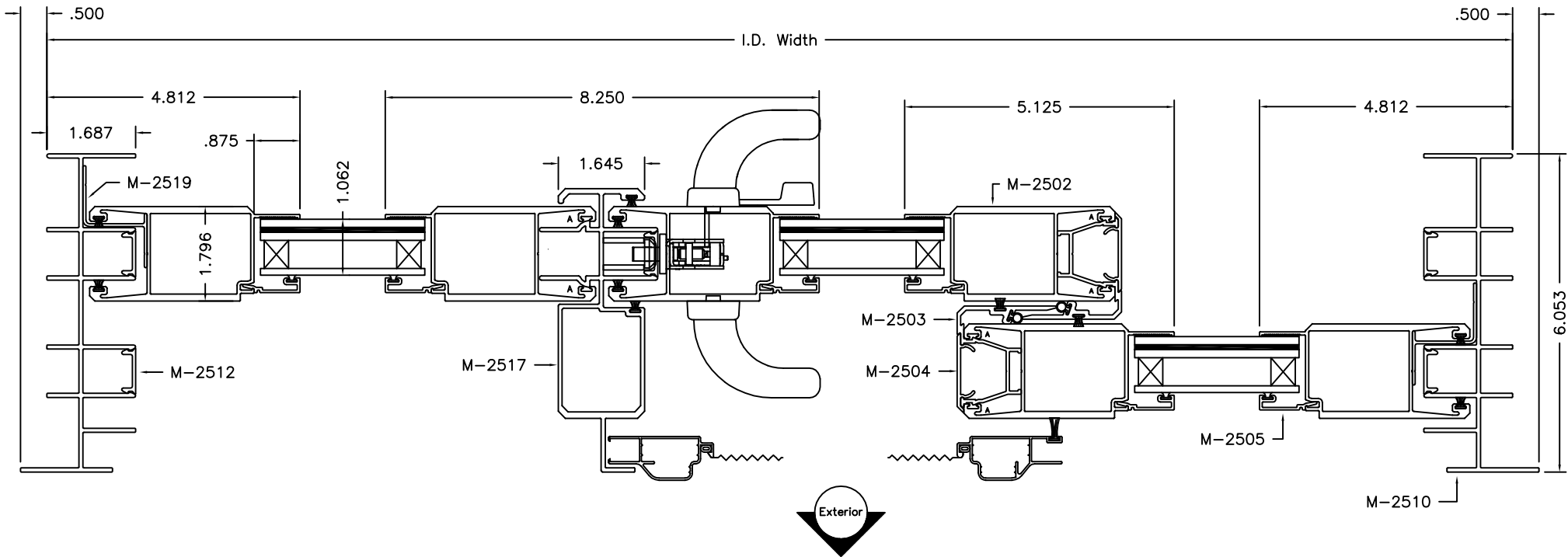


Call Size	I.D. Size	Rough Opening
7-6 x 6-8	90 7/8" x 80"	91 3/8" x 80 1/2"
9-0 x 6-8	108 7/8" x 80"	109 3/8" x 80 1/2"
12-0 x 6-8	144 7/8" x 80"	145 3/8" x 80 1/2"
7-6 x 8-0	90 7/8" x 96"	91 3/8" x 96 1/2"
9-0 x 8-0	108 7/8" x 96"	109 3/8" x 96 1/2"
12-0 x 8-0	144 7/8" x 96"	145 3/8" x 96 1/2"

For Vertical Sectional Drawing, see 2-panel drawing.


				MATERIAL:		 <small>650 WEST MARKET STREET GRATZ, PA 17030-0370</small>	DESCRIPTION: OXO Horizontal Cross Section IG Non-Impact, Finless Frame	
				FINISH:			PRODUCT: 120	
				AREA:			SCALE: Half	
				UNSPECIFIED WALL:			PART NUMBER:	
				WEIGHT:		DATE: 07/14/2015		
				PERIMETER:		DFTM: T.C.		
				BREAK ALL CORNERS R.015, UNLESS OTHERWISE SPECIFIED		DRAWING NUMBER: CS-000103		
A	110C-16	Removed w-strip from panel interlock stile	08/10/16	T.C.				
-	110B-16	Initial release of cross sectional drawing	07/22/16	T.C.				
LTR	ECN #	REVISIONS	DATE	BY				

The information, design or data shown on this document or electronic media is the exclusive property of MI Windows and Doors, LLC. It is considered confidential and proprietary and is made available for limited use only. Its use or reproduction without the expressed written consent of MI Windows and Doors, LLC., is prohibited.

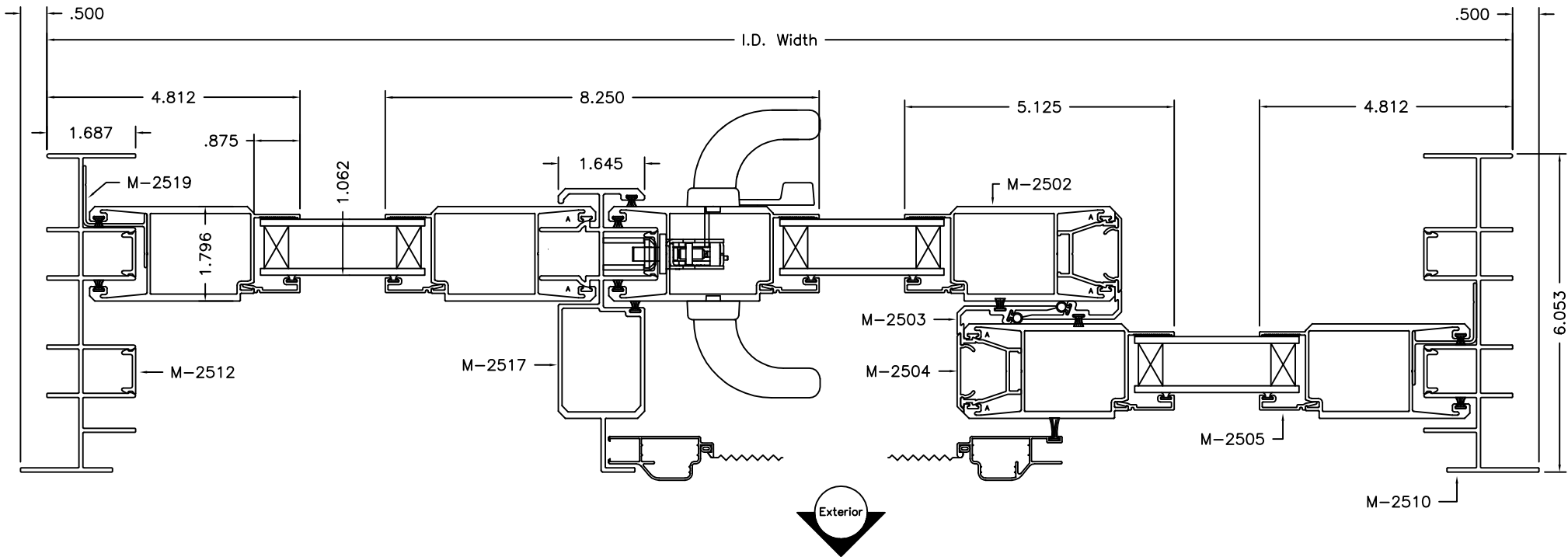


Call Size	I.D. Size	Rough Opening
7-6 x 6-8	90 7/8" x 80"	91 3/8" x 80 1/2"
9-0 x 6-8	108 7/8" x 80"	109 3/8" x 80 1/2"
12-0 x 6-8	144 7/8" x 80"	145 3/8" x 80 1/2"
7-6 x 8-0	90 7/8" x 96"	91 3/8" x 96 1/2"
9-0 x 8-0	108 7/8" x 96"	109 3/8" x 96 1/2"
12-0 x 8-0	144 7/8" x 96"	145 3/8" x 96 1/2"

For Vertical Sectional Drawing, see 2-panel drawing.


				MATERIAL:		 <small>650 WEST MARKET STREET GRATZ, PA 17030-0370</small>	DESCRIPTION: OXO Horizontal Cross Section IG Impact, Flange Frame	
				FINISH:			PRODUCT: 120	
				AREA:			DATE: 07/14/2015	
				UNSPECIFIED WALL:			SCALE: Half	
				BREAK ALL CORNERS R.015, UNLESS OTHERWISE SPECIFIED		PART NUMBER:		
A	110C-16	Removed w-strip form snap panel stiles	08/10/16	T.C.	PERIMETER:	DRAWING NUMBER: CS000105		
-	110B-16	Initial release of cross sectional drawing	07/22/16	T.C.		DFTM: T.C.		
LTR	ECN #	REVISIONS	DATE	BY				

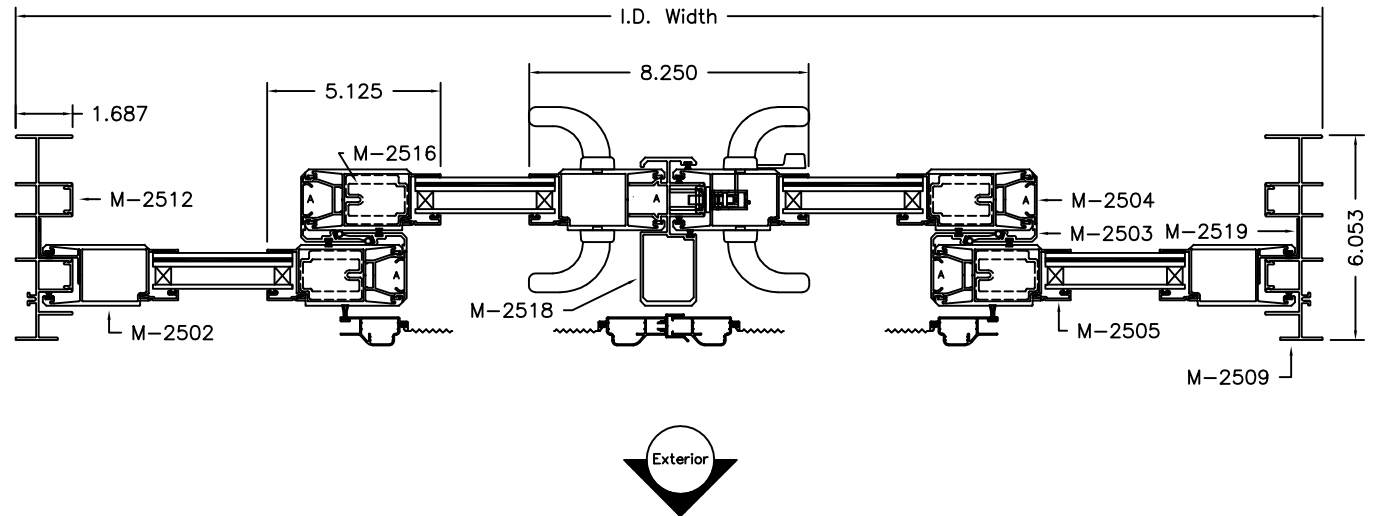
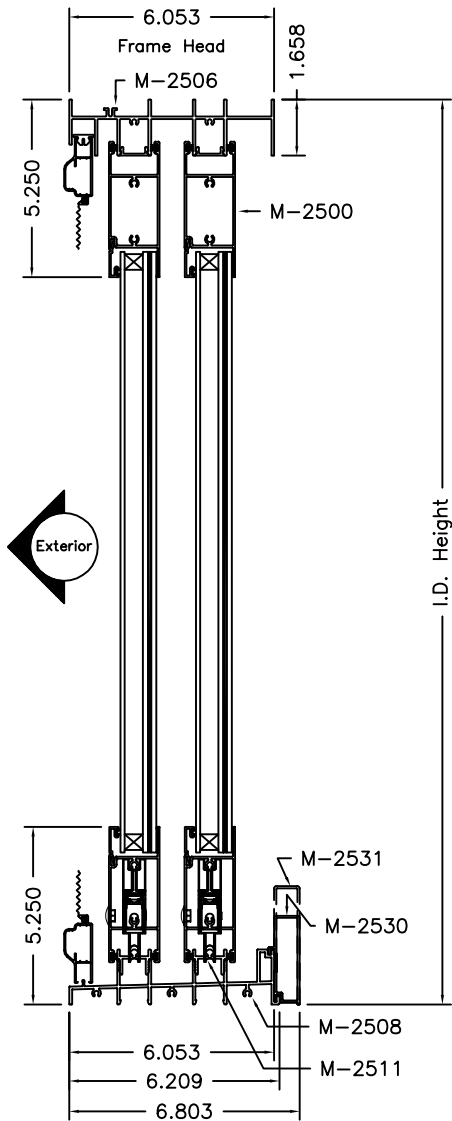
The information, design or data shown on this document or electronic media is the exclusive property of MI Windows and Doors, LLC. It is considered confidential and proprietary and is made available for limited use only. Its use or reproduction without the expressed written consent of MI Windows and Doors, LLC., is prohibited.




Call Size	I.D. Size	Rough Opening
7-6 x 6-8	90 7/8" x 80"	91 3/8" x 80 1/2"
9-0 x 6-8	108 7/8" x 80"	109 3/8" x 80 1/2"
12-0 x 6-8	144 7/8" x 80"	145 3/8" x 80 1/2"
7-6 x 8-0	90 7/8" x 96"	91 3/8" x 96 1/2"
9-0 x 8-0	108 7/8" x 96"	109 3/8" x 96 1/2"
12-0 x 8-0	144 7/8" x 96"	145 3/8" x 96 1/2"

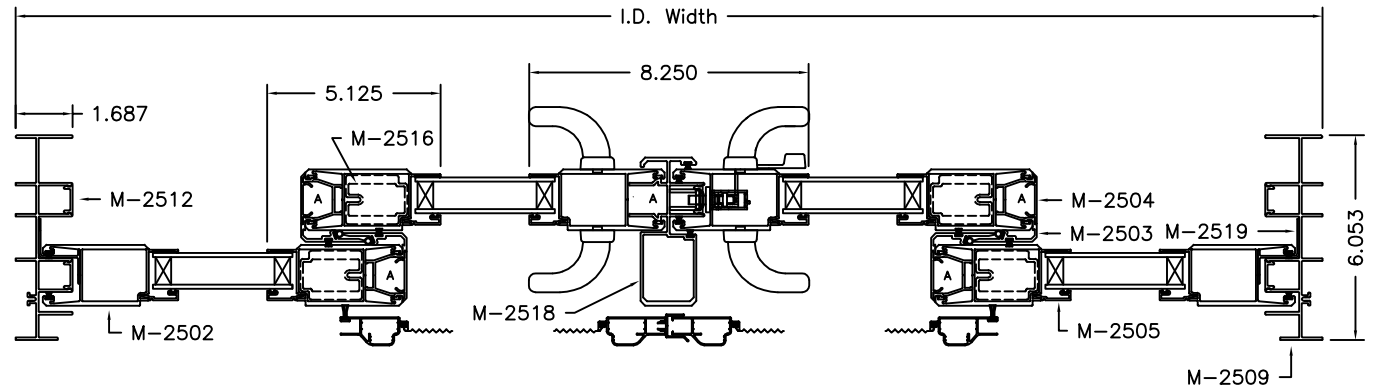
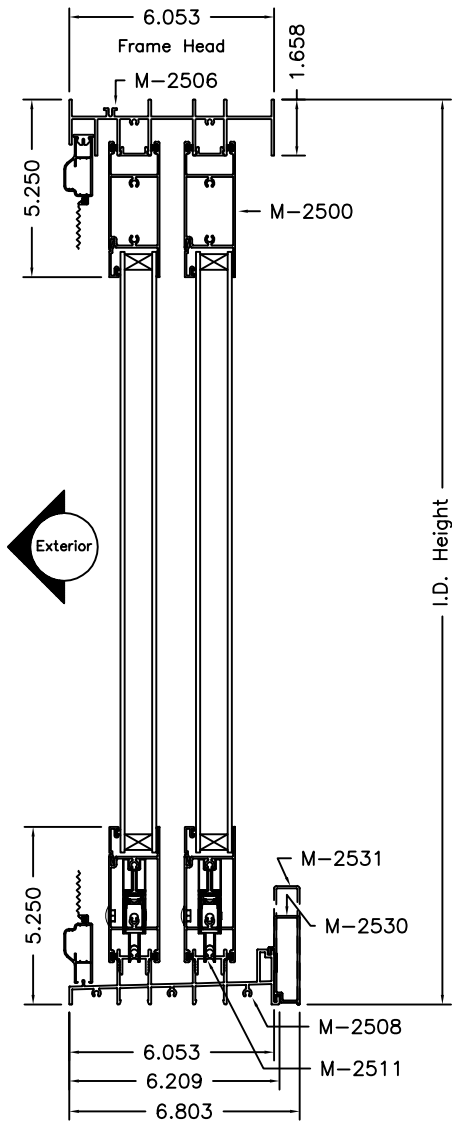
For Vertical Sectional Drawing, see 2-panel drawing.

				MATERIAL:		 <small>650 WEST MARKET STREET GRATZ, PA 17030-0370</small>	DESCRIPTION: OXO Horizontal Cross Section IG Non-Impact, Flange Frame	
				FINISH:			PRODUCT: 120	
				AREA:			DATE: 07/14/2015	
				UNSPECIFIED WALL:			SCALE: Half	
				WEIGHT:		PART NUMBER:		
				PERIMETER:		DFTM: T.C.		
				BREAK ALL CORNERS R.015, UNLESS OTHERWISE SPECIFIED		DRAWING NUMBER: CS-000106		
A	110C-16	Removed w-strip from panel snap stiles	08/10/16	T.C.				
-	110B-16	Initial cross sectional drawing release	07/22/16	T.C.				
LTR	ECN #	REVISIONS	DATE	BY				




Call Size	I.D. Size	Rough Opening
10-0 x 6-8	118 5/8" x 80"	119 1/8" x 80 1/2"
12-0 x 6-8	142 5/8" x 80"	143 1/8" x 80 1/2"
16-0 x 6-8	190 5/8" x 80"	191 1/8" x 80 1/2"
10-0 x 8-0	118 5/8" x 96"	119 1/8" x 96 1/2"
12-0 x 8-0	142 5/8" x 96"	143 1/8" x 96 1/2"
16-0 x 8-0	190 5/8" x 96"	191 1/8" x 96 1/2"

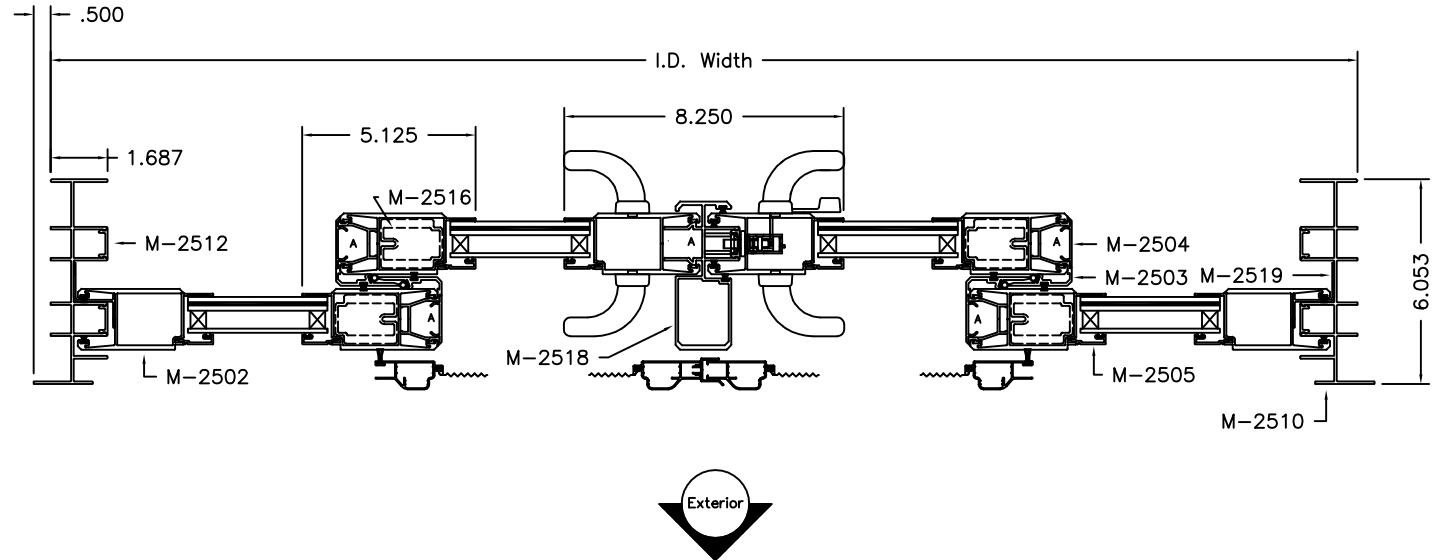
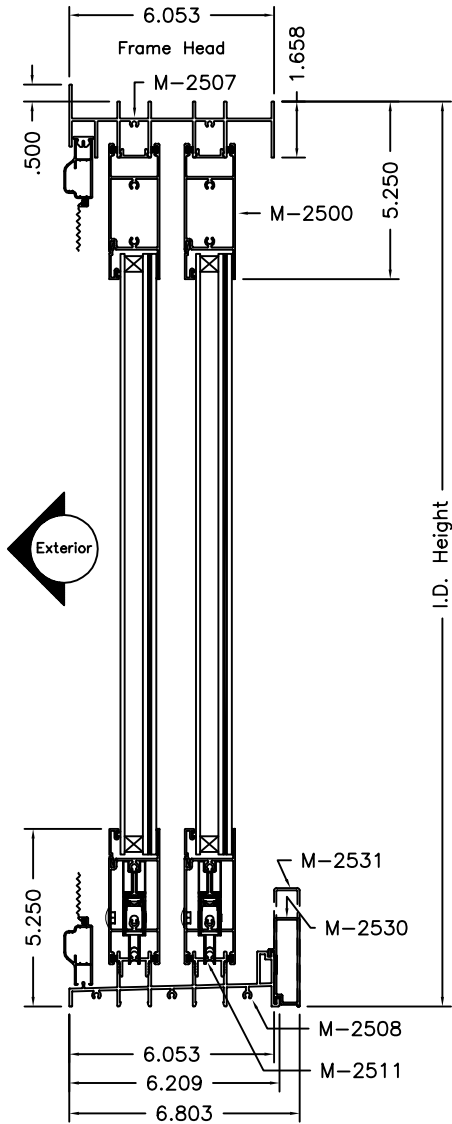
				MATERIAL:		 <small>650 WEST MARKET STREET GRATZ, PA 17030-0370</small>	DESCRIPTION: Cross Sectional Drawing, IG Impact 2-Track OXXO, Finless Frame	
				FINISH:			PRODUCT: 120	
				AREA:			SCALE: 1 : 4	
				UNSPECIFIED WALL:			PART NUMBER:	
				WEIGHT:		DATE: 07/14/2015		
				PERIMETER:		DFTM: T.C.		
A	110C-16	Removed w-strip from panel snap stiles	08/10/16	T.C.	The information, design or data shown on this document or electronic media is the exclusive property of MI Windows and Doors, LLC. It is considered confidential and proprietary and is made available for limited use only. Its use or reproduction without the expressed written consent of MI Windows and Doors, LLC., is prohibited.			
-	110B-16	Initial release of cross sectional drawing	07/22/16	T.C.				
LTR	ECN #	REVISIONS	DATE	BY				
								DRAWING NUMBER: CS-000108




Call Size	I.D. Size	Rough Opening
10-0 x 6-8	118 5/8" x 80"	119 1/8" x 80 1/2"
12-0 x 6-8	142 5/8" x 80"	143 1/8" x 80 1/2"
16-0 x 6-8	190 5/8" x 80"	191 1/8" x 80 1/2"
10-0 x 8-0	118 5/8" x 96"	119 1/8" x 96 1/2"
12-0 x 8-0	142 5/8" x 96"	143 1/8" x 96 1/2"
16-0 x 8-0	190 5/8" x 96"	191 1/8" x 96 1/2"

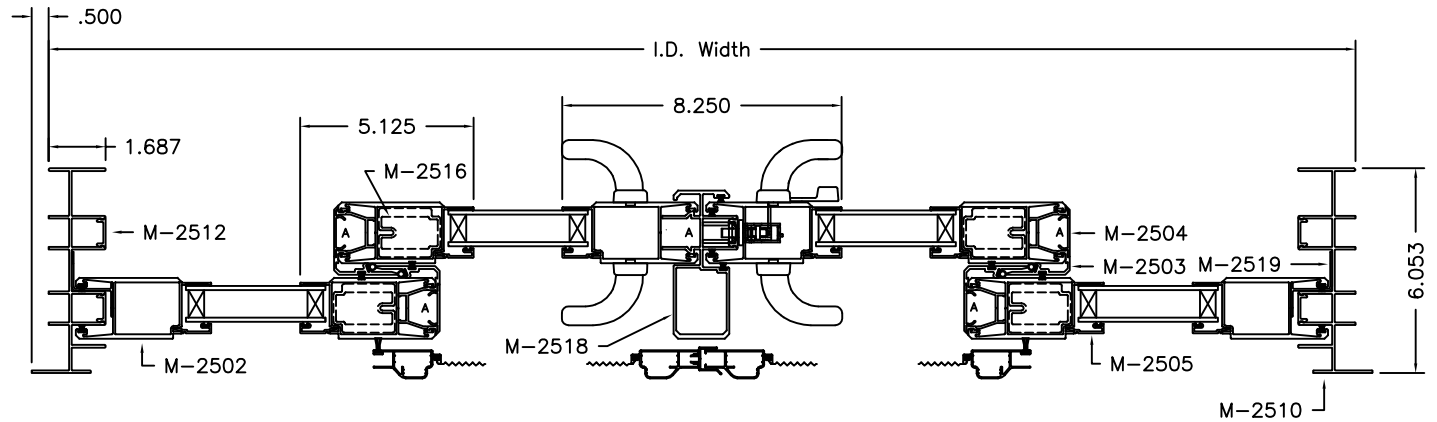
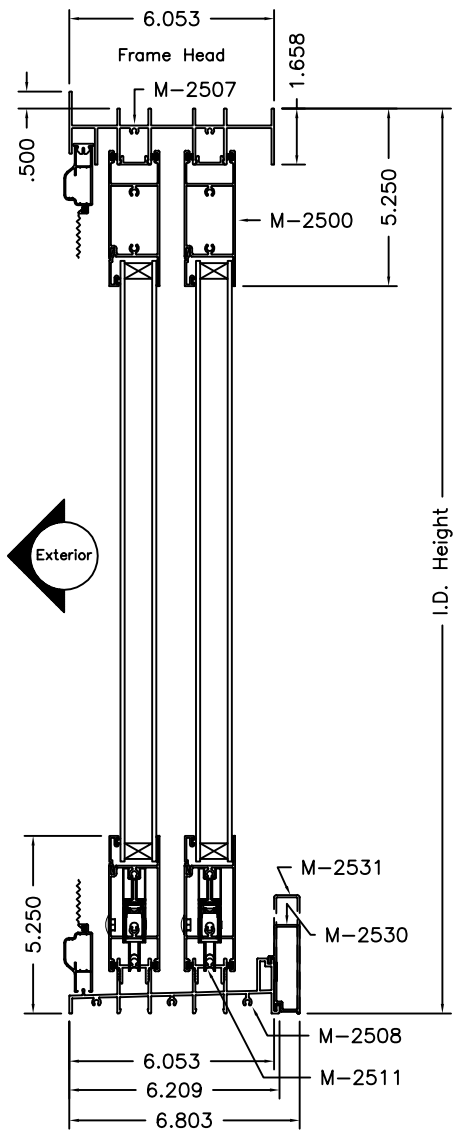
				MATERIAL:		 650 WEST MARKET STREET GRATZ, PA 17030-0370	DESCRIPTION: Cross Sectional Drawing, IG Non-Impact 2-Track OXXO, Finless Frame	
				FINISH:			PRODUCT: 120	
				UNSPECIFIED WALL:			DATE: 07/14/2015	
				AREA:			SCALE: 1 : 4	
				WEIGHT:			PART NUMBER:	
A	110C-16	Removed w-strip from panel snap stiles	08/10/16	T.C.	BREAK ALL CORNERS R.015, UNLESS OTHERWISE SPECIFIED	DFTM: T.C.		
-	110B-16	Initial release of cross sectional drawing	07/22/16	T.C.		DRAWING NUMBER: CS-000109		
LTR	ECN #	REVISIONS	DATE	BY				
				PERIMETER:				

The information, design or data shown on this document or electronic media is the exclusive property of MI Windows and Doors, LLC. It is considered confidential and proprietary and is made available for limited use only. Its use or reproduction without the expressed written consent of MI Windows and Doors, LLC., is prohibited.




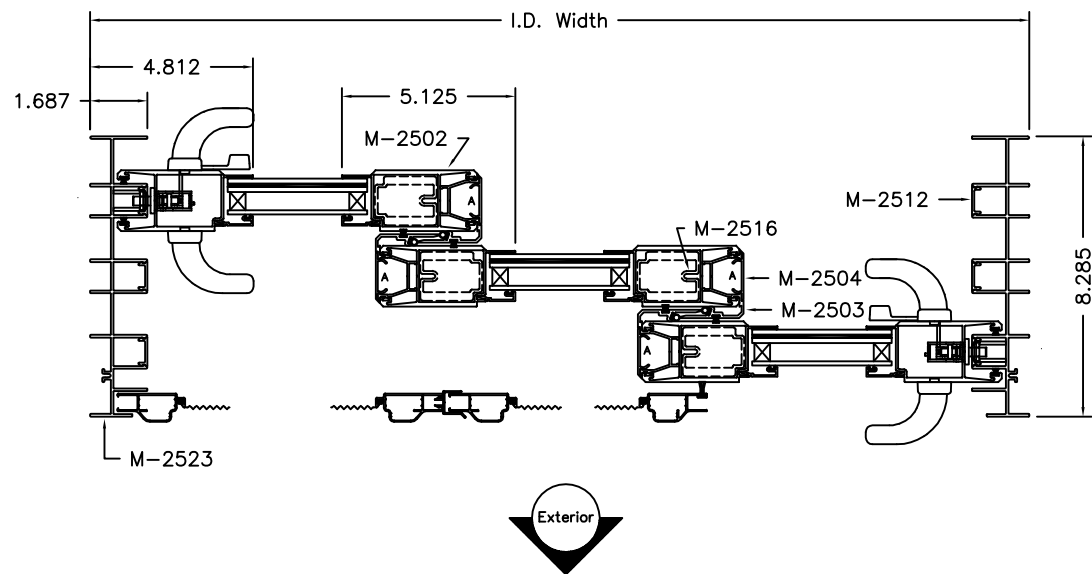
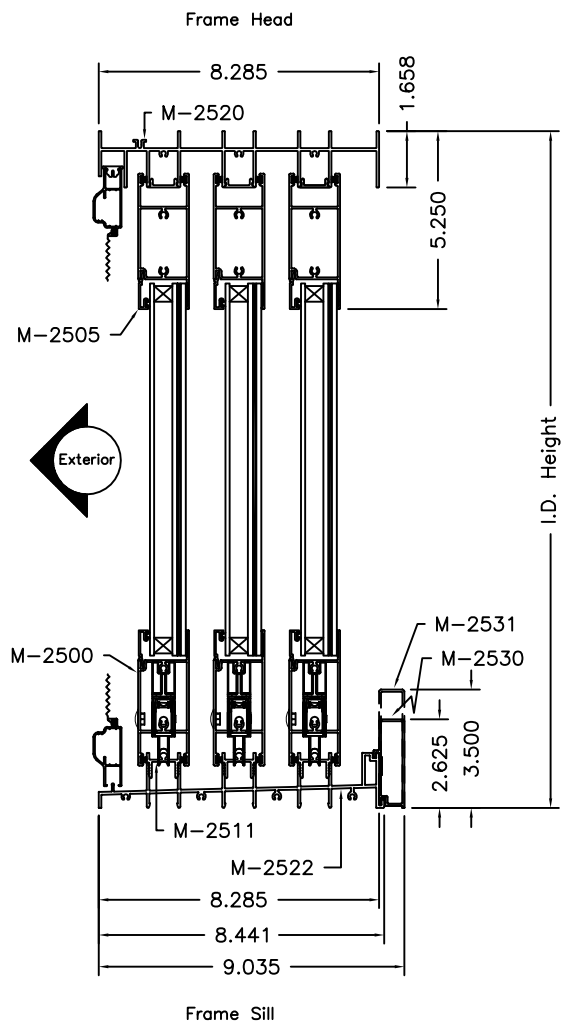
Call Size	I.D. Size	Rough Opening
10-0 x 6-8	118 5/8" x 80"	119 1/8" x 80 1/2"
12-0 x 6-8	142 5/8" x 80"	143 1/8" x 80 1/2"
16-0 x 6-8	190 5/8" x 80"	191 1/8" x 80 1/2"
10-0 x 8-0	118 5/8" x 96"	119 1/8" x 96 1/2"
12-0 x 8-0	142 5/8" x 96"	143 1/8" x 96 1/2"
16-0 x 8-0	190 5/8" x 96"	191 1/8" x 96 1/2"

				MATERIAL:		 <small>650 WEST MARKET STREET GRATZ, PA 17030-0370</small>	DESCRIPTION: Cross Sectional Drawing, IG Impact 2-Track OXXO, Flange Frame	
				FINISH:			PRODUCT: 120	
				AREA:			DATE: 07/15/2015	
				UNSPECIFIED WALL:			SCALE: 1 : 4	
				WEIGHT:		PART NUMBER:		
				PERIMETER:		DRAWING NUMBER: CS-000111		
				BREAK ALL CORNERS R.015, UNLESS OTHERWISE SPECIFIED		The information, design or data shown on this document or electronic media is the exclusive property of MI Windows and Doors, LLC. It is considered confidential and proprietary and is made available for limited use only. Its use or reproduction without the expressed written consent of MI Windows and Doors, LLC., is prohibited.		
A	110C-16	Removed w-strip from panel snap stiles	08/10/16	T.C.				
-	110B-16	Initial release of cross sectional drawing	07/22/16	T.C.				
LTR	ECN #	REVISIONS	DATE	BY				




Call Size	I.D. Size	Rough Opening
10-0 x 6-8	118 5/8" x 80"	119 1/8" x 80 1/2"
12-0 x 6-8	142 5/8" x 80"	143 1/8" x 80 1/2"
16-0 x 6-8	190 5/8" x 80"	191 1/8" x 80 1/2"
10-0 x 8-0	118 5/8" x 96"	119 1/8" x 96 1/2"
12-0 x 8-0	142 5/8" x 96"	143 1/8" x 96 1/2"
16-0 x 8-0	190 5/8" x 96"	191 1/8" x 96 1/2"

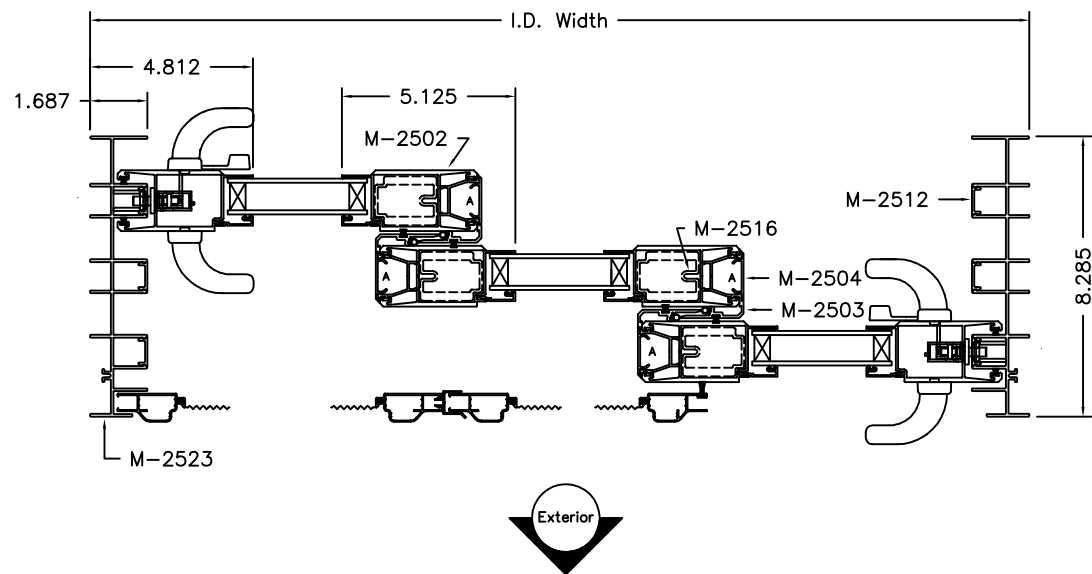
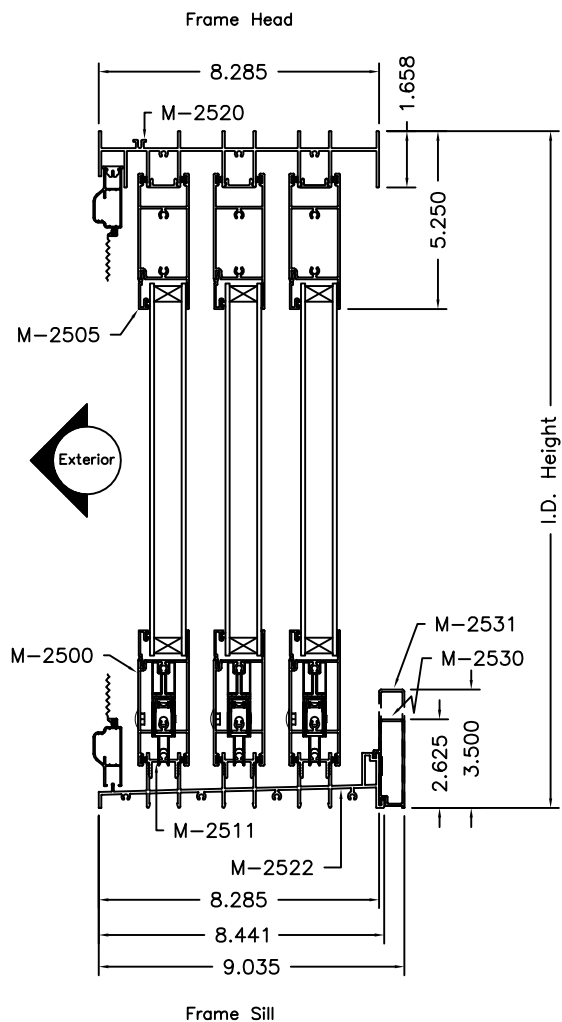
				MATERIAL:		 <small>650 WEST MARKET STREET GRATZ, PA 17030-0370</small>	DESCRIPTION: Cross Sectional Drawing, IG Non-Impact 2-Track OXXO, Flange Frame	
				FINISH:			PRODUCT: 120	
				AREA:			DATE: 07/14/2015	
				UNSPECIFIED WALL:			SCALE: 1 : 4	
				WEIGHT:		PART NUMBER:		
				PERIMETER:		DFTM: T.C.		
				BREAK ALL CORNERS R.015, UNLESS OTHERWISE SPECIFIED		DRAWING NUMBER: CS-000112		
A	110C-16	Removed w-strip from panel snap stiles	08/10/16	T.C.				
-	110B-16	Initial release of sectional drawing	07/22/16	T.C.				
LTR	ECN #	REVISIONS	DATE	BY				




Call Size	I.D. Size	Rough Opening
7-6 x 6-8	87 3/4" x 80"	88 1/4" x 80 1/2"
9-0 x 6-8	105 3/4" x 80"	106 1/4" x 80 1/2"
12-0 x 6-8	141 3/4" x 80"	142 1/4" x 80 1/2"
7-6 x 8-0	87 3/4" x 96"	88 1/4" x 96 1/2"
9-0 x 8-0	105 3/4" x 96"	106 1/4" x 96 1/2"
12-0 x 8-0	141 3/4" x 96"	142 1/4" x 96 1/2"

				MATERIAL:		 <small>650 WEST MARKET STREET GRATZ, PA 17030-0370</small>	DESCRIPTION: Cross Sectional Drawing, IG Impact 3-Track, XIX	
				FINISH:			PRODUCT: 130	
				UNSPECIFIED WALL:			DATE: 07/15/15	
				AREA:			SCALE: 1 : 4	
				WEIGHT:			PART NUMBER:	
A	110C-16	Removed w-strip from panel interlock stiles	08/10/16	T.C.	PERIMETER:		DRAWING NUMBER: CS-000114	
LTR	ECN #	REVISIONS	DATE	BY	BREAK ALL CORNERS R.015, UNLESS OTHERWISE SPECIFIED		DFTM: T.C.	

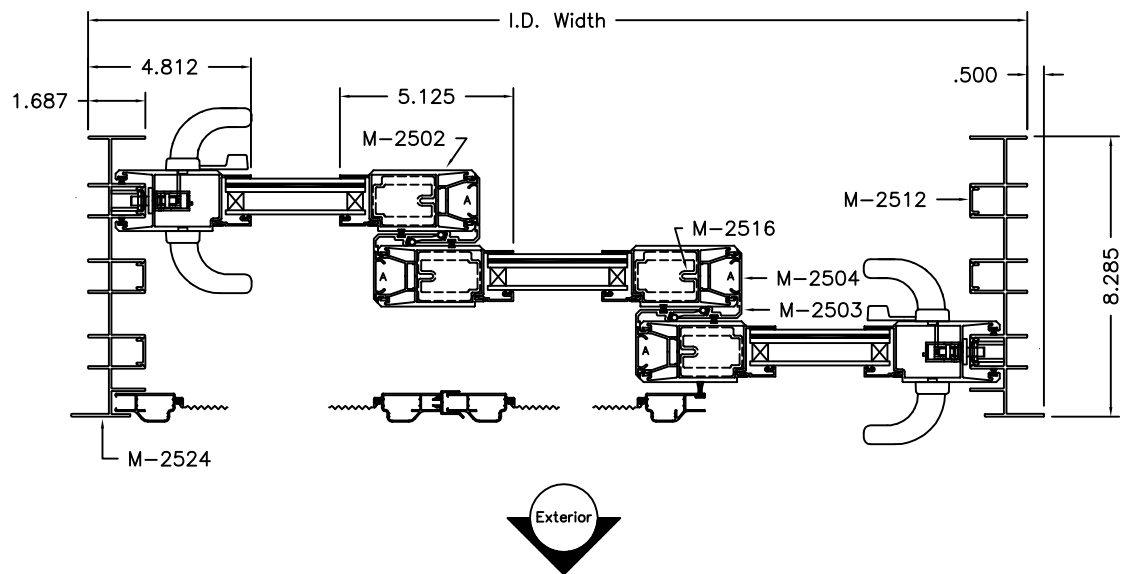
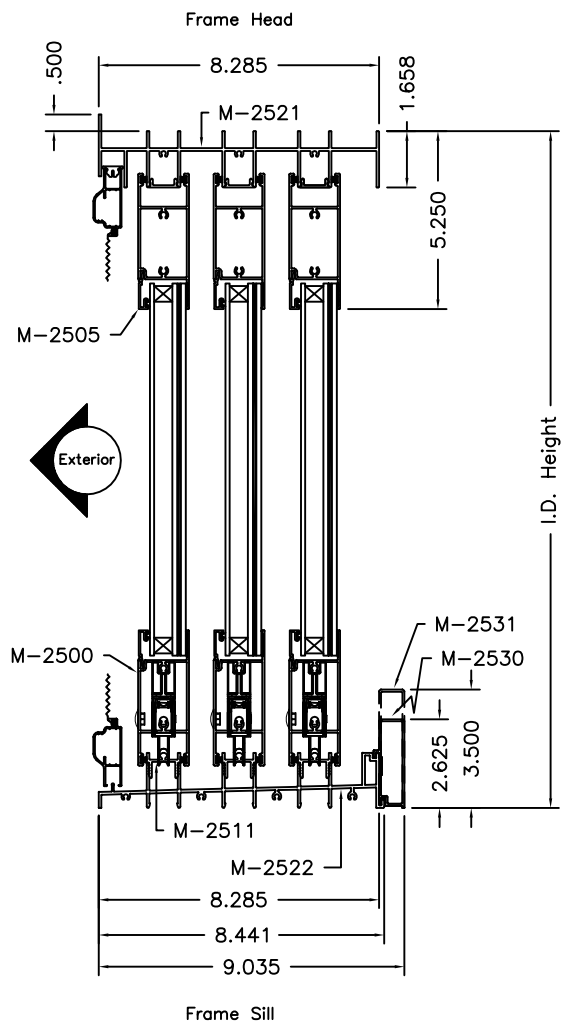
The information, design or data shown on this document or electronic media is the exclusive property of MI Windows and Doors, LLC. It is considered confidential and proprietary and is made available for limited use only. Its use or reproduction without the expressed written consent of MI Windows and Doors, LLC., is prohibited.




Call Size	I.D. Size	Rough Opening
7-6 x 6-8	87 3/4" x 80"	88 1/4" x 80 1/2"
9-0 x 6-8	105 3/4" x 80"	106 1/4" x 80 1/2"
12-0 x 6-8	141 3/4" x 80"	142 1/4" x 80 1/2"
7-6 x 8-0	87 3/4" x 96"	88 1/4" x 96 1/2"
9-0 x 8-0	105 3/4" x 96"	106 1/4" x 96 1/2"
12-0 x 8-0	141 3/4" x 96"	142 1/4" x 96 1/2"

				MATERIAL:		 650 WEST MARKET STREET GRATZ, PA 17030-0370	DESCRIPTION: Cross Sectional Drawing, IG Non-Impact 3-Track, XIX	
				FINISH:			PRODUCT: 130	
				UNSPECIFIED WALL:			DATE: 07/15/2015	
				AREA:			SCALE: 1 : 4	
				WEIGHT:			PART NUMBER:	
A	110C-16	Removed w-strip from panel interlock stiles	08/10/16	T.C.	PERIMETER:		DRAWING NUMBER: CS-000115	
LTR	ECN #	REVISIONS	DATE	BY				

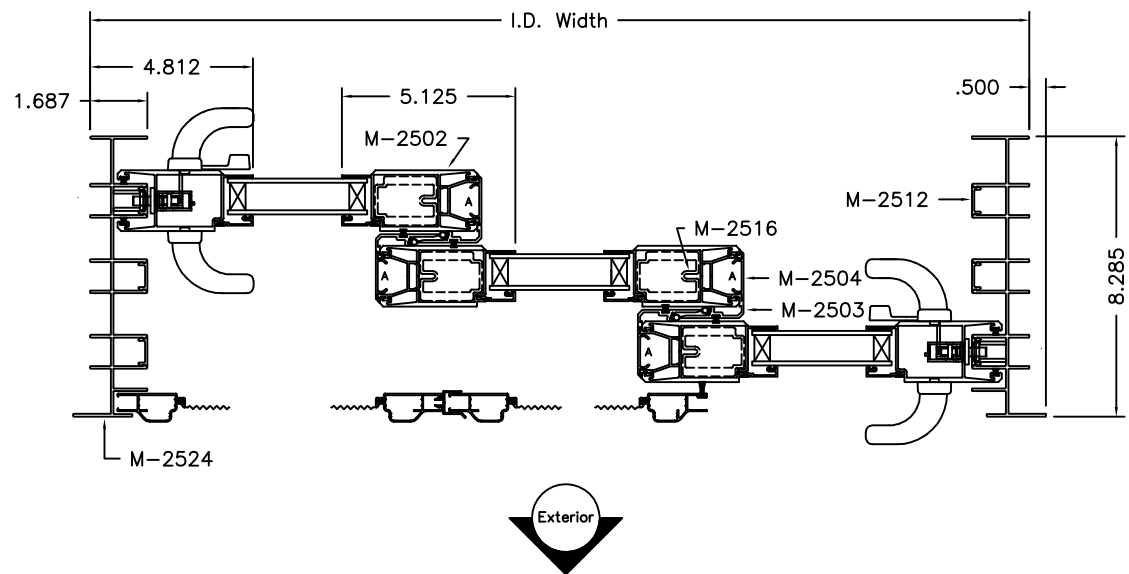
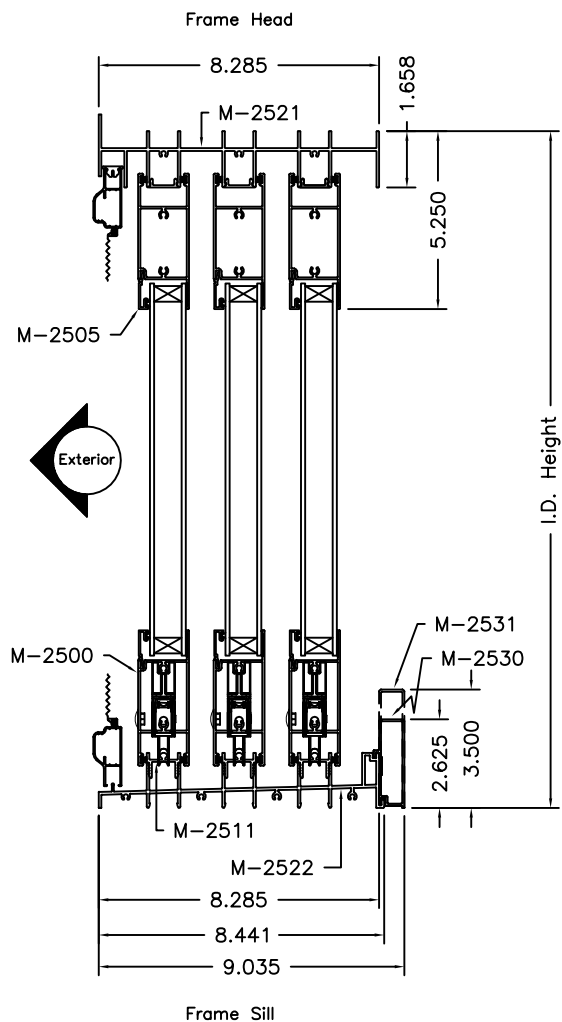
The information, design or data shown on this document or electronic media is the exclusive property of MI Windows and Doors, LLC. It is considered confidential and proprietary and is made available for limited use only. Its use or reproduction without the expressed written consent of MI Windows and Doors, LLC., is prohibited.




Call Size	I.D. Size	Rough Opening
7-6 x 6-8	87 3/4" x 80"	88 1/4" x 80 1/2"
9-0 x 6-8	105 3/4" x 80"	106 1/4" x 80 1/2"
12-0 x 6-8	141 3/4" x 80"	142 1/4" x 80 1/2"
7-6 x 8-0	87 3/4" x 96"	88 1/4" x 96 1/2"
9-0 x 8-0	105 3/4" x 96"	106 1/4" x 96 1/2"
12-0 x 8-0	141 3/4" x 96"	142 1/4" x 96 1/2"

				MATERIAL:		 MIWD MI WINDOWS AND DOORS 650 WEST MARKET STREET GRATZ, PA 17030-0370	DESCRIPTION: Cross Sectional Drawing, IG Impact 3-Track, XIX, Flange Frame	
				FINISH:			PRODUCT: 130	
				UNSPECIFIED WALL:			DATE: 07/15/2015	
				AREA:			SCALE: 1 : 4	
				WEIGHT:			PART NUMBER:	
A	110C-16	Removed w-strip from panel interlock stiles	08/10/16	T.C.	PERIMETER:		DRAWING NUMBER: CS-000117	
LTR	ECN #	REVISIONS	DATE	BY			DFTM: T.C.	

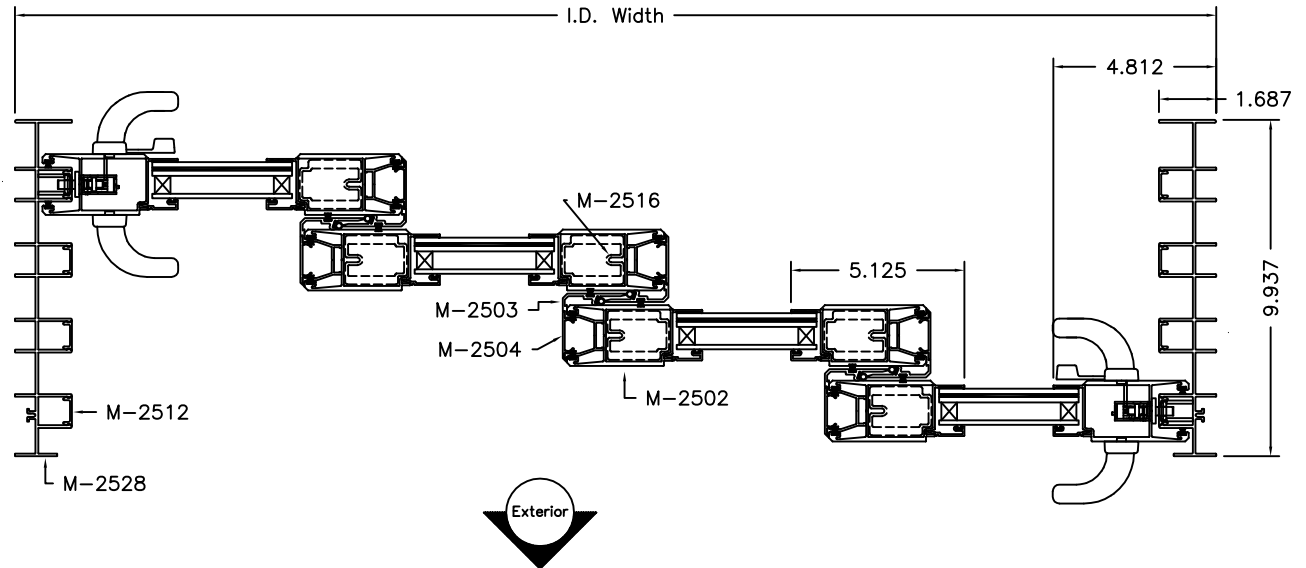
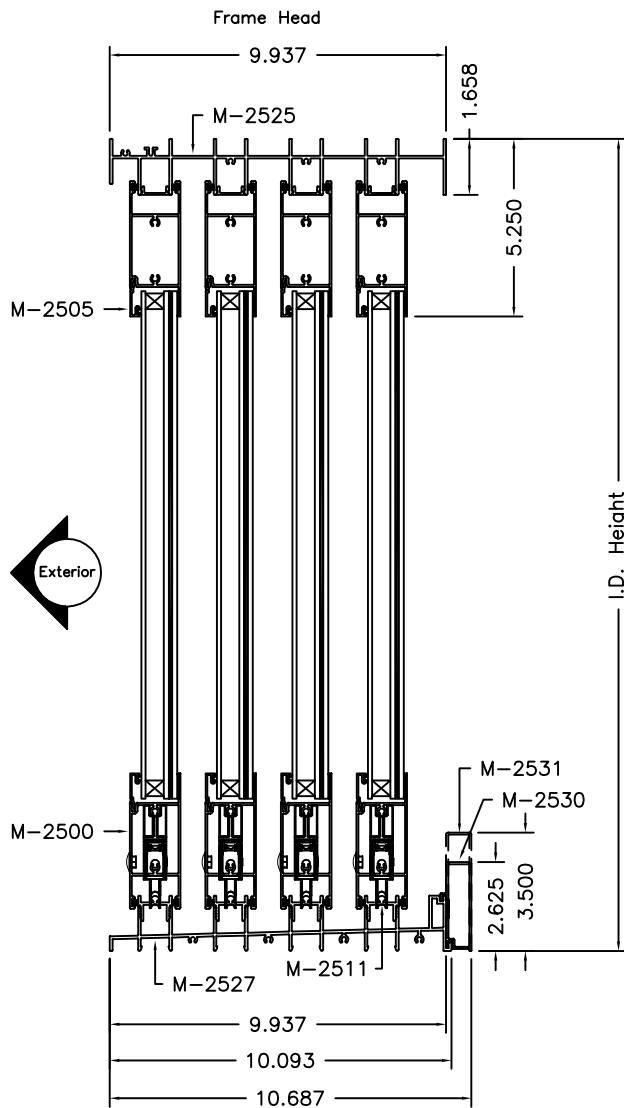
The information, design or data shown on this document or electronic media is the exclusive property of MI Windows and Doors, LLC. It is considered confidential and proprietary and is made available for limited use only. Its use or reproduction without the expressed written consent of MI Windows and Doors, LLC., is prohibited.



Call Size	I.D. Size	Rough Opening
7-6 x 6-8	87 3/4" x 80"	88 1/4" x 80 1/2"
9-0 x 6-8	105 3/4" x 80"	106 1/4" x 80 1/2"
12-0 x 6-8	141 3/4" x 80"	142 1/4" x 80 1/2"
7-6 x 8-0	87 3/4" x 96"	88 1/4" x 96 1/2"
9-0 x 8-0	105 3/4" x 96"	106 1/4" x 96 1/2"
12-0 x 8-0	141 3/4" x 96"	142 1/4" x 96 1/2"

				MATERIAL:		 650 WEST MARKET STREET GRATZ, PA 17030-0370	DESCRIPTION: Cross Sectional Drawing, IG Non-Impact 3-Track, XIX, Flange Frame	
				FINISH:			PRODUCT: 130	
				UNSPECIFIED WALL:			DATE: 07/15/2015	
				AREA:			SCALE: 1 : 4	
				WEIGHT:			PART NUMBER:	
A	110C-16	Removed w-strip from panel interlock stiles	08/10/16	T.C.	PERIMETER:		DRAWING NUMBER: CS-000118	
LTR	ECN #	REVISIONS	DATE	BY				

The information, design or data shown on this document or electronic media is the exclusive property of MI Windows and Doors, LLC. It is considered confidential and proprietary and is made available for limited use only. Its use or reproduction without the expressed written consent of MI Windows and Doors, LLC., is prohibited.



Call Size	I.D. Size	Rough Opening
10-0 x 6-8	115 1/2" x 80"	116" x 80 1/2"
12-0 x 6-8	139 1/2" x 80"	140" x 80 1/2"
16-0 x 6-8	187 1/2" x 80"	188" x 80 1/2"
10-0 x 8-0	115 1/2" x 96"	116" x 96 1/2"
12-0 x 8-0	139 1/2" x 96"	140" x 96 1/2"
16-0 x 8-0	187 1/2" x 96"	188" x 96 1/2"

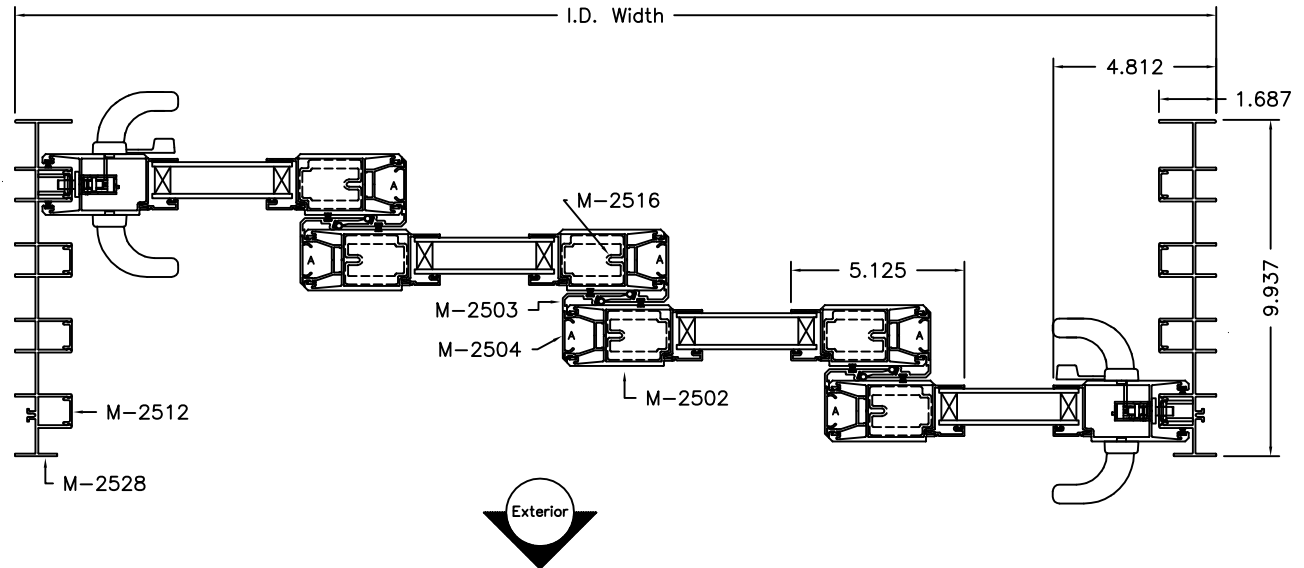
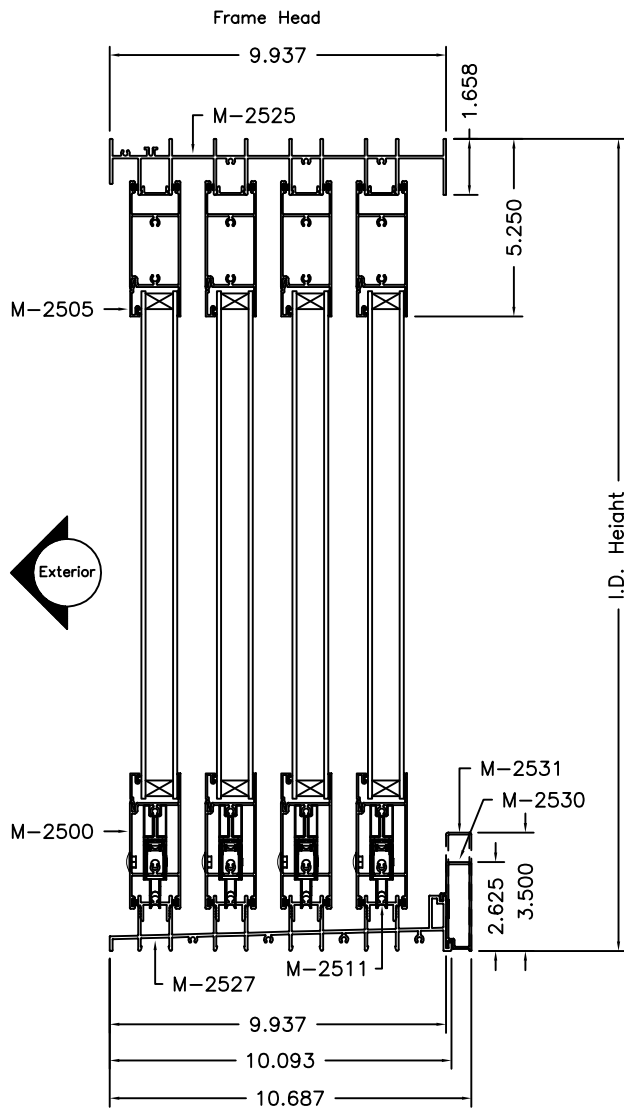
A	110C-16	Removed w-strip from panel interlock stile	08/10/16	T.C.	
LTR	ECN #	REVISIONS	DATE	BY	

MATERIAL:	
FINISH:	UNSPECIFIED WALL:
AREA:	
WEIGHT:	BREAK ALL CORNERS R.015, UNLESS OTHERWISE SPECIFIED
PERIMETER:	


MIWD MI WINDOWS AND DOORS
 650 WEST MARKET STREET GRATZ, PA 17030-0370

The information, design or data shown on this document or electronic media is the exclusive property of MI Windows and Doors, LLC. It is considered confidential and proprietary and is made available for limited use only. Its use or reproduction without the expressed written consent of MI Windows and Doors, LLC., is prohibited.

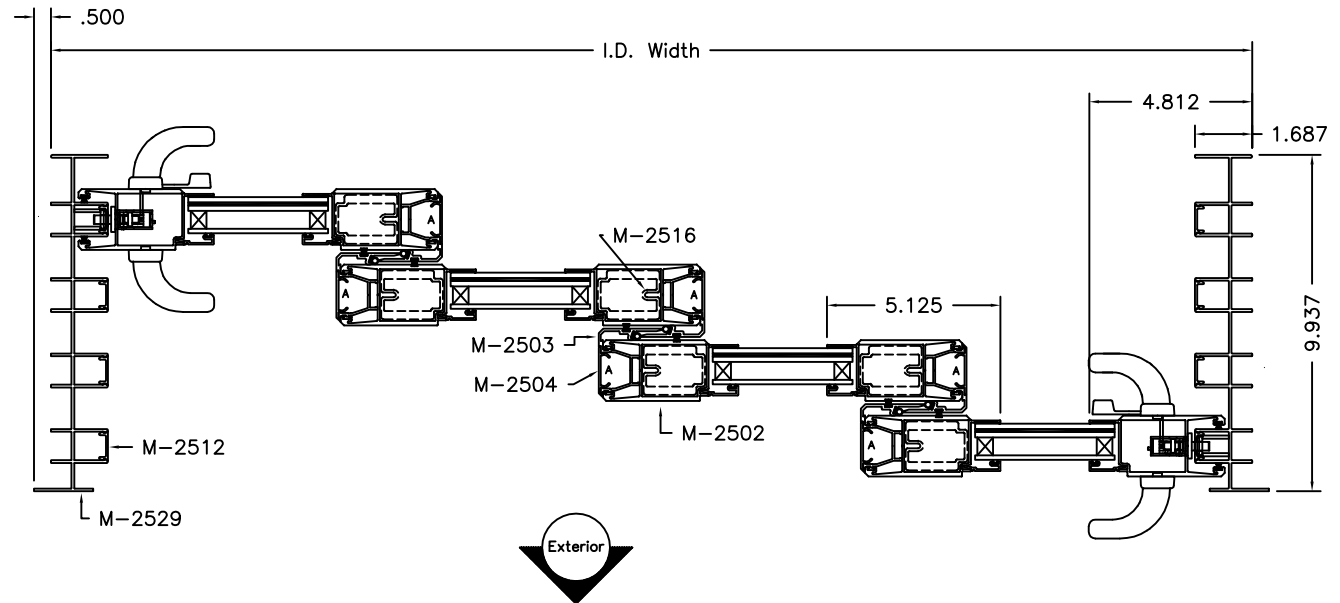
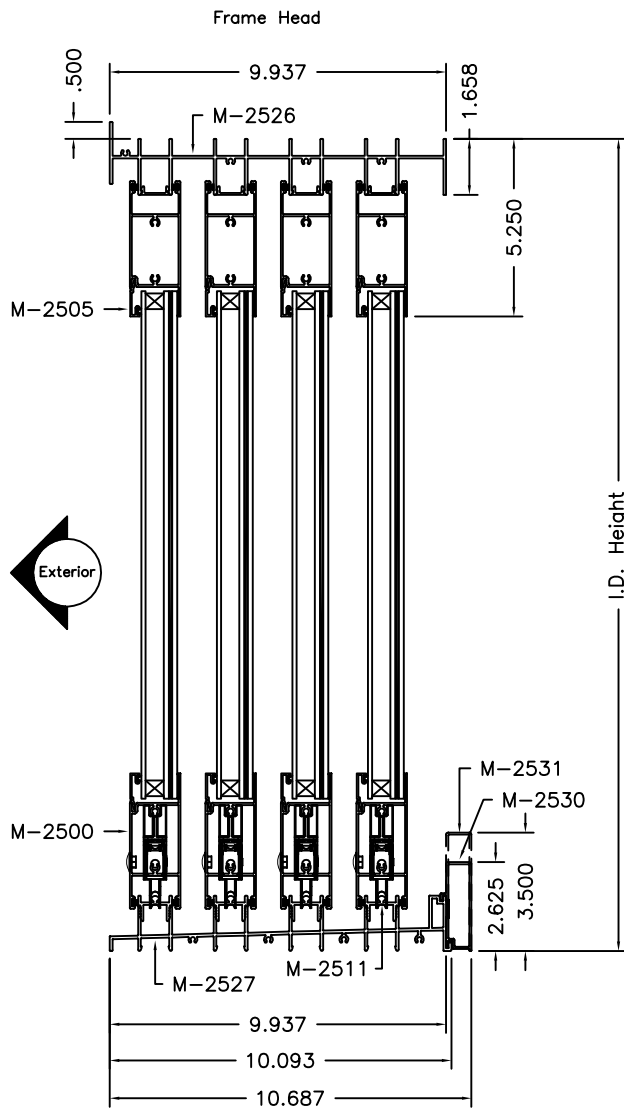
DESCRIPTION: Cross Sectional Drawing, IG Impact 4-Track, XIIX, Finless	
PRODUCT: 140	DATE: 07/16/2015
SCALE: 1 : 4	PART NUMBER:
DFTM: T.C.	DRAWING NUMBER: CS-000120




Call Size	I.D. Size	Rough Opening
10-0 x 6-8	115 1/2" x 80"	116" x 80 1/2"
12-0 x 6-8	139 1/2" x 80"	140" x 80 1/2"
16-0 x 6-8	187 1/2" x 80"	188" x 80 1/2"
10-0 x 8-0	115 1/2" x 96"	116" x 96 1/2"
12-0 x 8-0	139 1/2" x 96"	140" x 96 1/2"
16-0 x 8-0	187 1/2" x 96"	188" x 96 1/2"

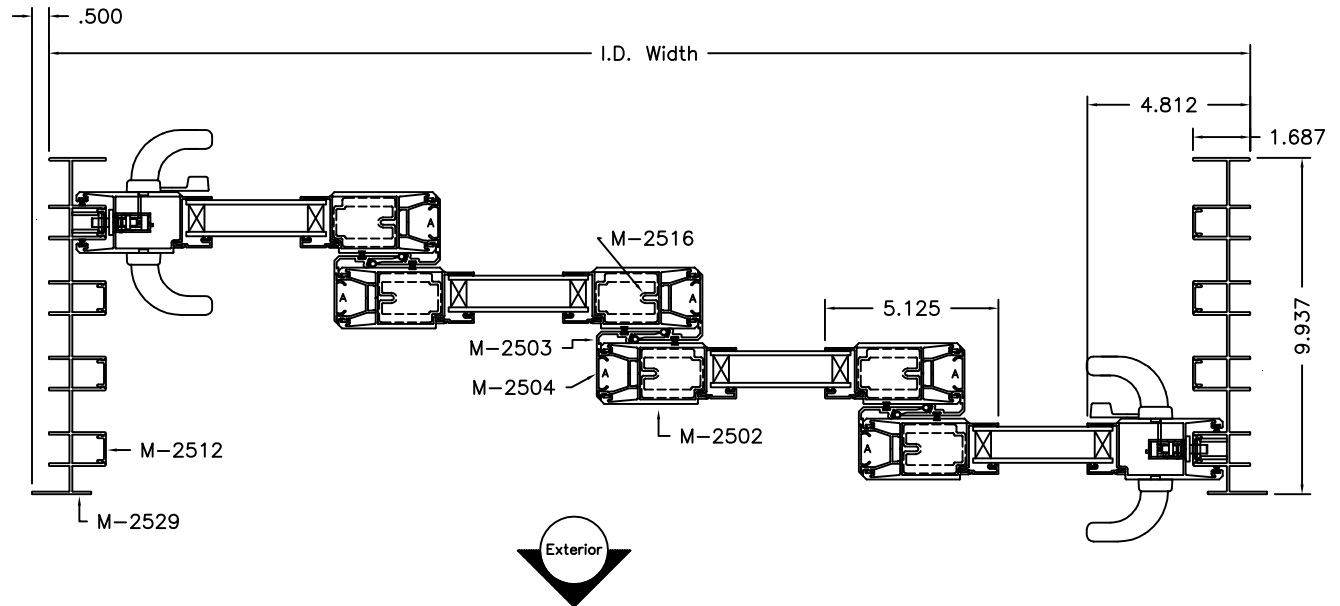
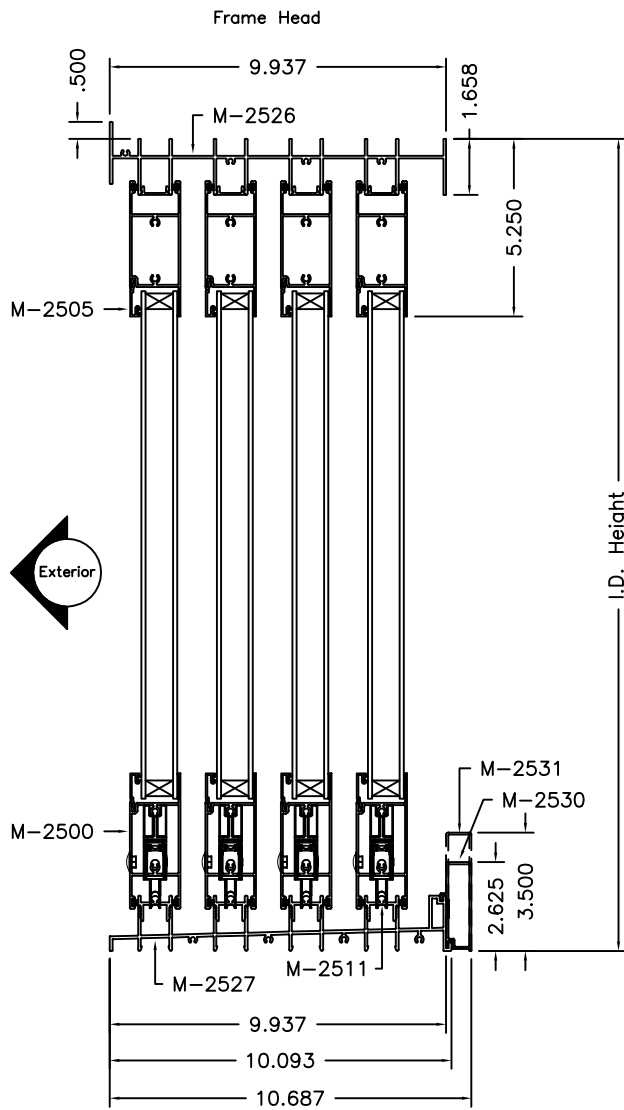
				MATERIAL:		 <small>650 WEST MARKET STREET GRATZ, PA 17030-0370</small>	DESCRIPTION: Cross Sectional Drawing, IG Non-Impact 4-Track, XIIX, Finless	
				FINISH:			PRODUCT: 140	
				UNSPECIFIED WALL:			DATE: 07/16/15	
				AREA:			SCALE: 1 : 4	
				WEIGHT:			PART NUMBER:	
A	110C-16	Removed w-strip for panel interlock stiles	08/10/16	T.C.	BREAK ALL CORNERS R.015, UNLESS OTHERWISE SPECIFIED	DFTM: T.C.		
LTR	ECN #	REVISIONS	DATE	BY	PERIMETER:	DRAWING NUMBER: CS-000121		

The information, design or data shown on this document or electronic media is the exclusive property of MI Windows and Doors, LLC. It is considered confidential and proprietary and is made available for limited use only. Its use or reproduction without the expressed written consent of MI Windows and Doors, LLC., is prohibited.




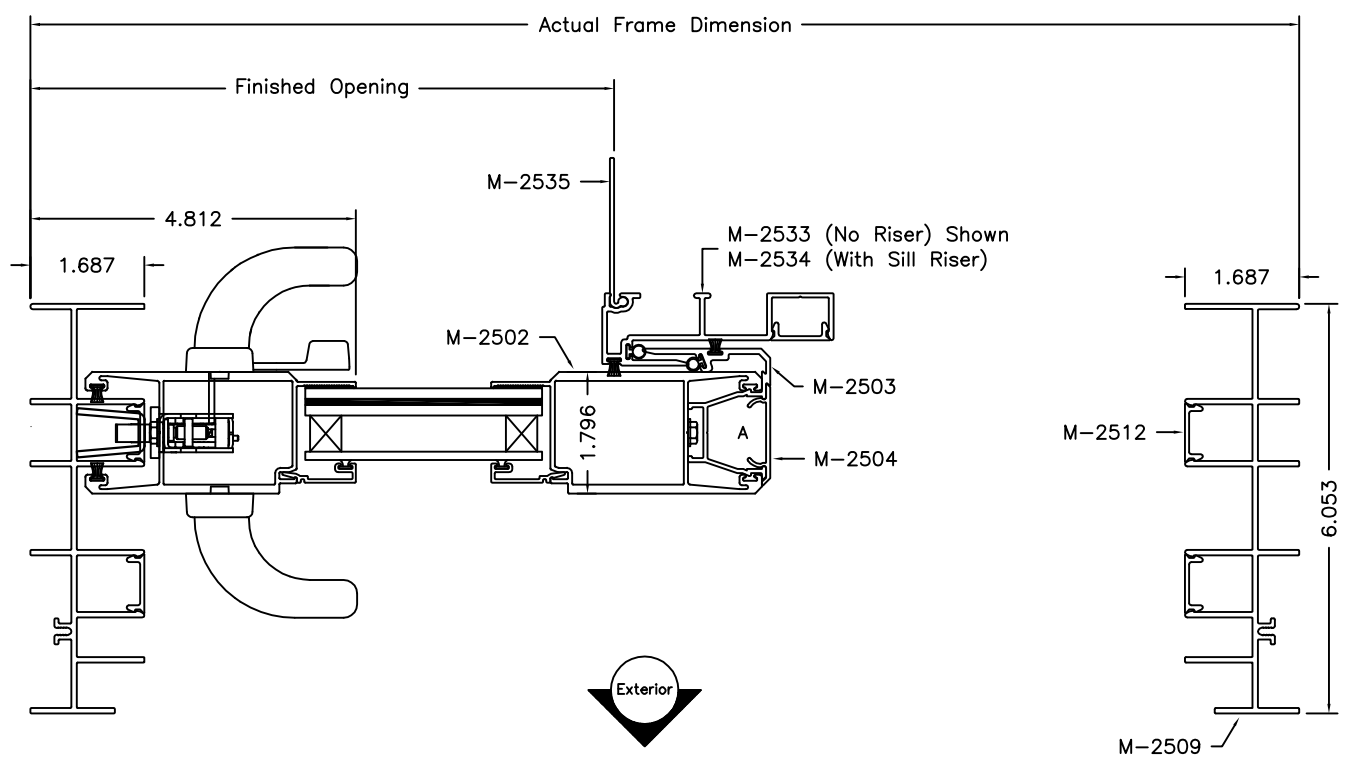
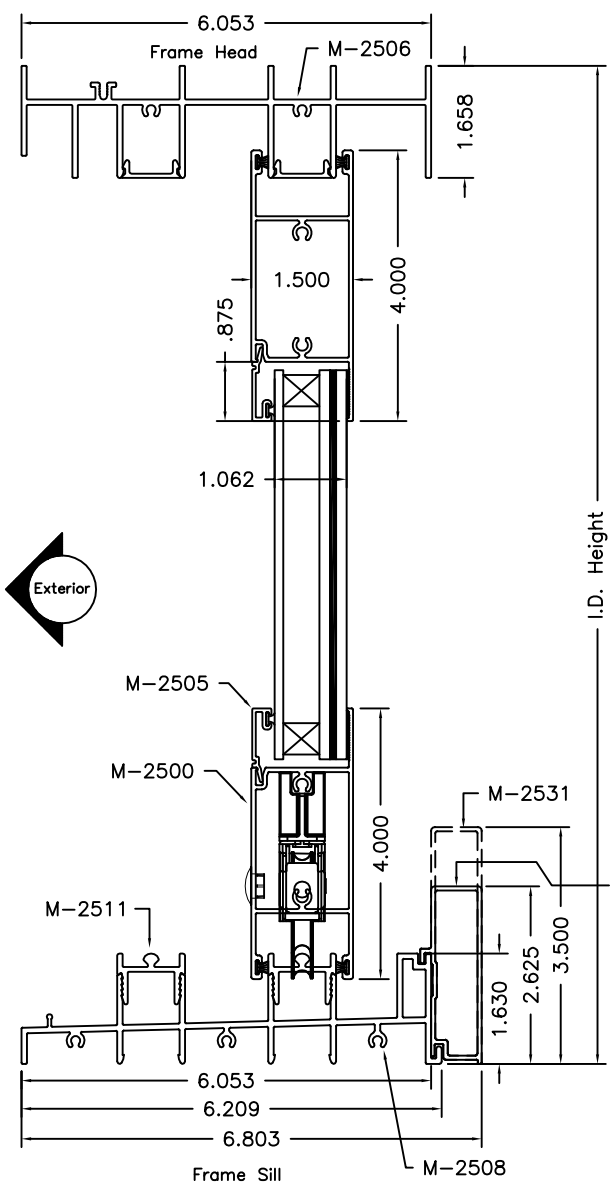
Call Size	I.D. Size	Rough Opening
10-0 x 6-8	115 1/2" x 80"	116" x 80 1/2"
12-0 x 6-8	139 1/2" x 80"	140" x 80 1/2"
16-0 x 6-8	187 1/2" x 80"	188" x 80 1/2"
10-0 x 8-0	115 1/2" x 96"	116" x 96 1/2"
12-0 x 8-0	139 1/2" x 96"	140" x 96 1/2"
16-0 x 8-0	187 1/2" x 96"	188" x 96 1/2"

				MATERIAL:		 <p>650 WEST MARKET STREET GRATZ, PA 17030-0370</p>	DESCRIPTION: Cross Sectional Drawing, IG Impact 4-Track, XIIX, Flange	
				FINISH:			PRODUCT: 140	
				AREA:			DATE: 07/16/15	
				WEIGHT:			SCALE: 1 : 4	
				PERIMETER:			PART NUMBER:	
A	110C-16	Removed w-strip from panel interlock stile	08/10/16	T.C.	The information, design or data shown on this document or electronic media is the exclusive property of MI Windows and Doors, LLC. It is considered confidential and proprietary and is made available for limited use only. Its use or reproduction without the expressed written consent of MI Windows and Doors, LLC., is prohibited.			
LTR	ECN #	REVISIONS	DATE	BY	PERIMETER:		DRAWING NUMBER: CS-000123	



Call Size	I.D. Size	Rough Opening
10-0 x 6-8	115 1/2" x 80"	116" x 80 1/2"
12-0 x 6-8	139 1/2" x 80"	140" x 80 1/2"
16-0 x 6-8	187 1/2" x 80"	188" x 80 1/2"
10-0 x 8-0	115 1/2" x 96"	116" x 96 1/2"
12-0 x 8-0	139 1/2" x 96"	140" x 96 1/2"
16-0 x 8-0	187 1/2" x 96"	188" x 96 1/2"

				MATERIAL:		 650 WEST MARKET STREET GRATZ, PA 17030-0370	DESCRIPTION: Cross Sectional Drawing, IG Non-Impact 4-Track, XIIX, Flange	
				FINISH:			PRODUCT: 140	
				UNSPECIFIED WALL:			DATE: 07/16/15	
				AREA:			SCALE: 1 : 4	
				WEIGHT:			PART NUMBER:	
				PERIMETER:		DFTM: T.C.		
				BREAK ALL CORNERS R.015, UNLESS OTHERWISE SPECIFIED		DRAWING NUMBER: CS-000124		
A	08/10/16	Removed w-swtrip from panel interlock stile	08/10/16	T.C.				
LTR	ECN #	REVISIONS	DATE	BY				



XP Shown, PX Opposite

Nominal Size	Door Frame Dimension	Rough Opening	Finished Opening
2-6 x 6-8	60" x 80"	60 1/2" x 80 1/2"	29 1/4"
3-0 x 6-8	72" x 80"	72 1/2" x 80 1/2"	35 1/4"
4-0 x 6-8	96" x 80"	96 1/2" x 80 1/2"	47 1/4"
2-6 x 8-0	60" x 96"	60 1/2" x 96 1/2"	29 1/4"
3-0 x 8-0	72" x 96"	72 1/2" x 96 1/2"	35 1/4"
4-0 x 8-0	96" x 96"	96 1/2" x 96 1/2"	47 1/4"

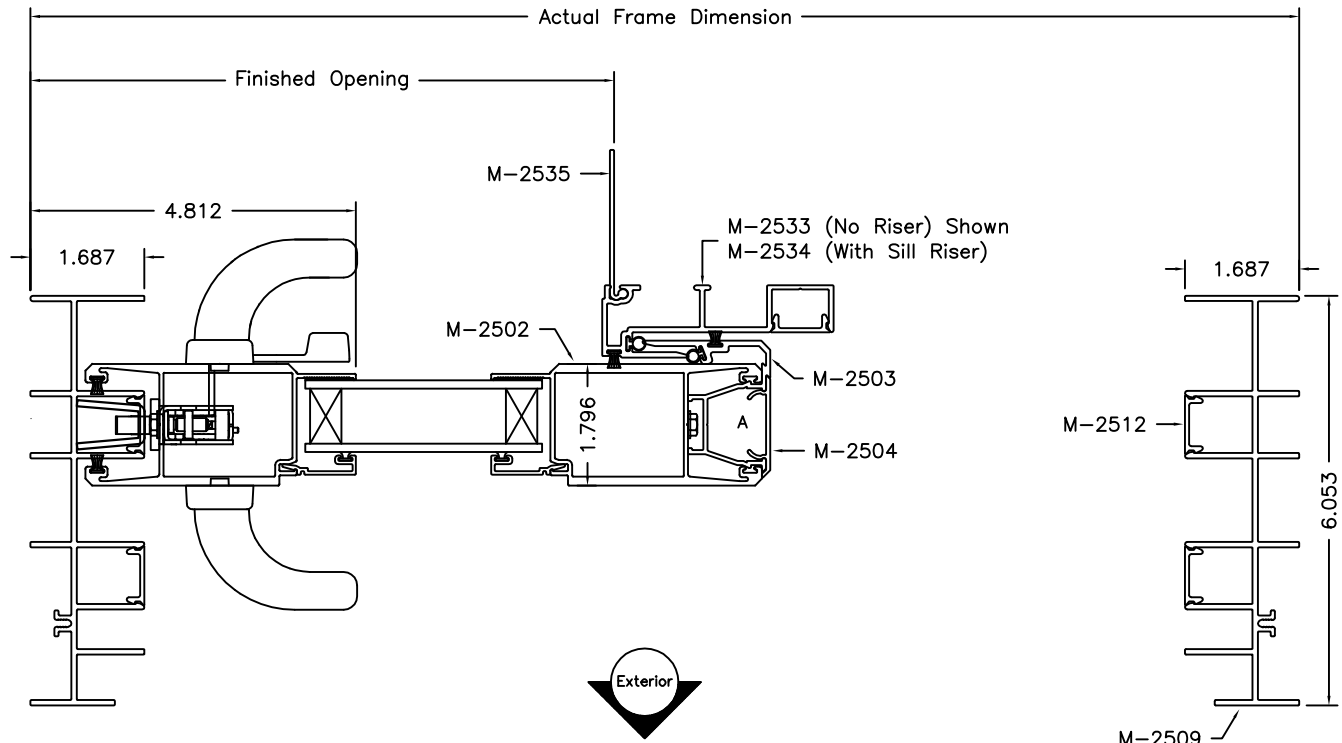
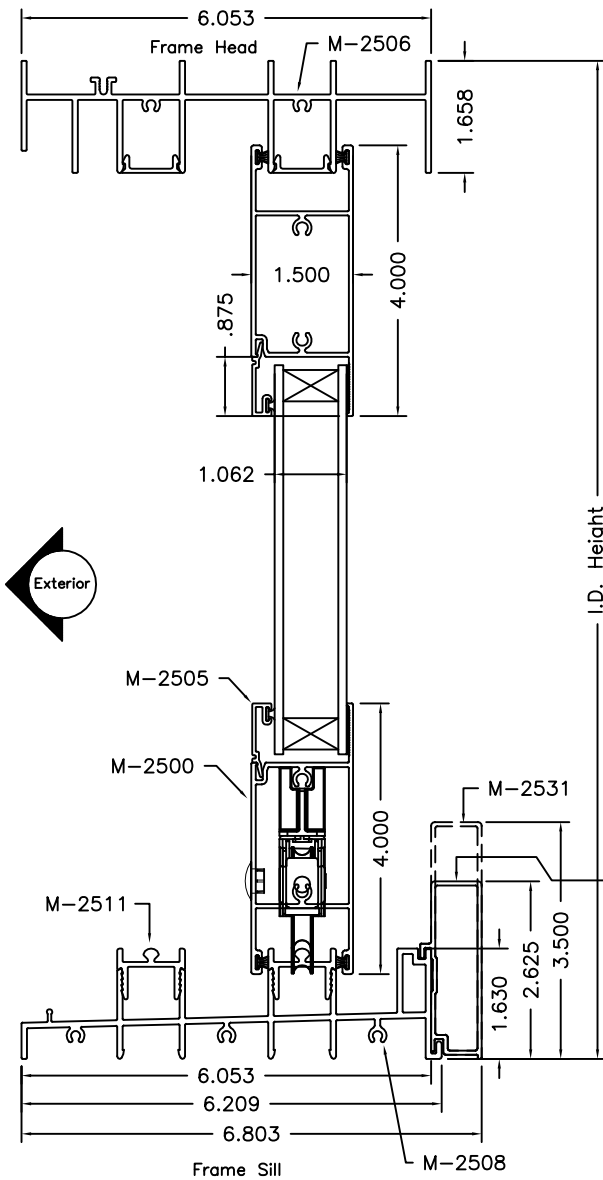
LTR	ECN #	REVISIONS	DATE	BY
A	110C-16	Removed w-strip from panel interlock stile	08/10/16	T.C.
-	110B-16	Initial release of sectional drawing	07/22/16	T.C.

MATERIAL:	UNSPECIFIED WALL: BREAK ALL CORNERS R.015, UNLESS OTHERWISE SPECIFIED
FINISH:	
AREA:	
WEIGHT:	
PERIMETER:	

MIWD MI WINDOWS AND DOORS
650 WEST MARKET STREET GRATZ, PA 17030-0370


The information, design or data shown on this document or electronic media is the exclusive property of MI Windows and Doors, LLC. It is considered confidential and proprietary and is made available for limited use only. Its use or reproduction without the expressed written consent of MI Windows and Doors, LLC., is prohibited.

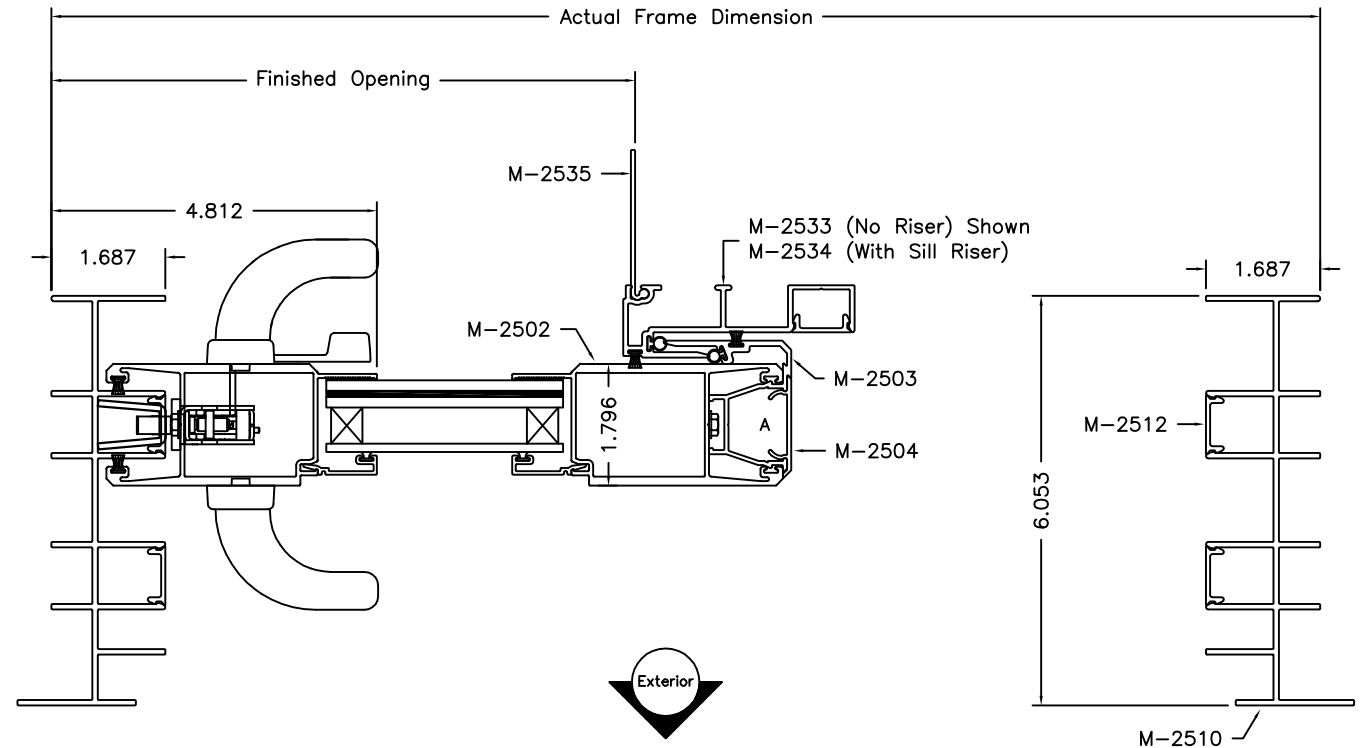
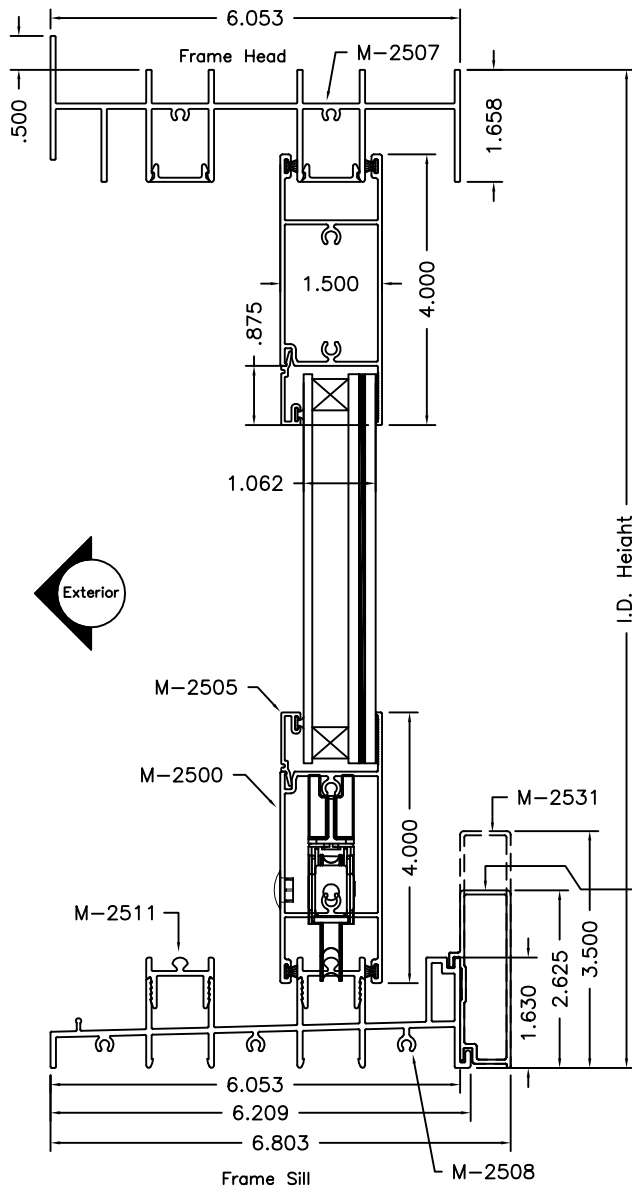
DESCRIPTION: Cross Sectional Drawing, IG Impact 2-Track XP, PX	
PRODUCT: Series 120P S.G.D.	DATE: 07/27/15
SCALE: Half	PART NUMBER:
DFTM: T.C.	DRAWING NUMBER: CS-000138



XP Shown, PX Opposite


Nominal Size	Door Frame Dimension	Rough Opening	Finished Opening
2-6 x 6-8	60" x 80"	60 1/2" x 80 1/2"	29 1/4"
3-0 x 6-8	72" x 80"	72 1/2" x 80 1/2"	35 1/4"
4-0 x 6-8	96" x 80"	96 1/2" x 80 1/2"	47 1/4"
2-6 x 8-0	60" x 96"	60 1/2" x 96 1/2"	29 1/4"
3-0 x 8-0	72" x 96"	72 1/2" x 96 1/2"	35 1/4"
4-0 x 8-0	96" x 96"	96 1/2" x 96 1/2"	47 1/4"

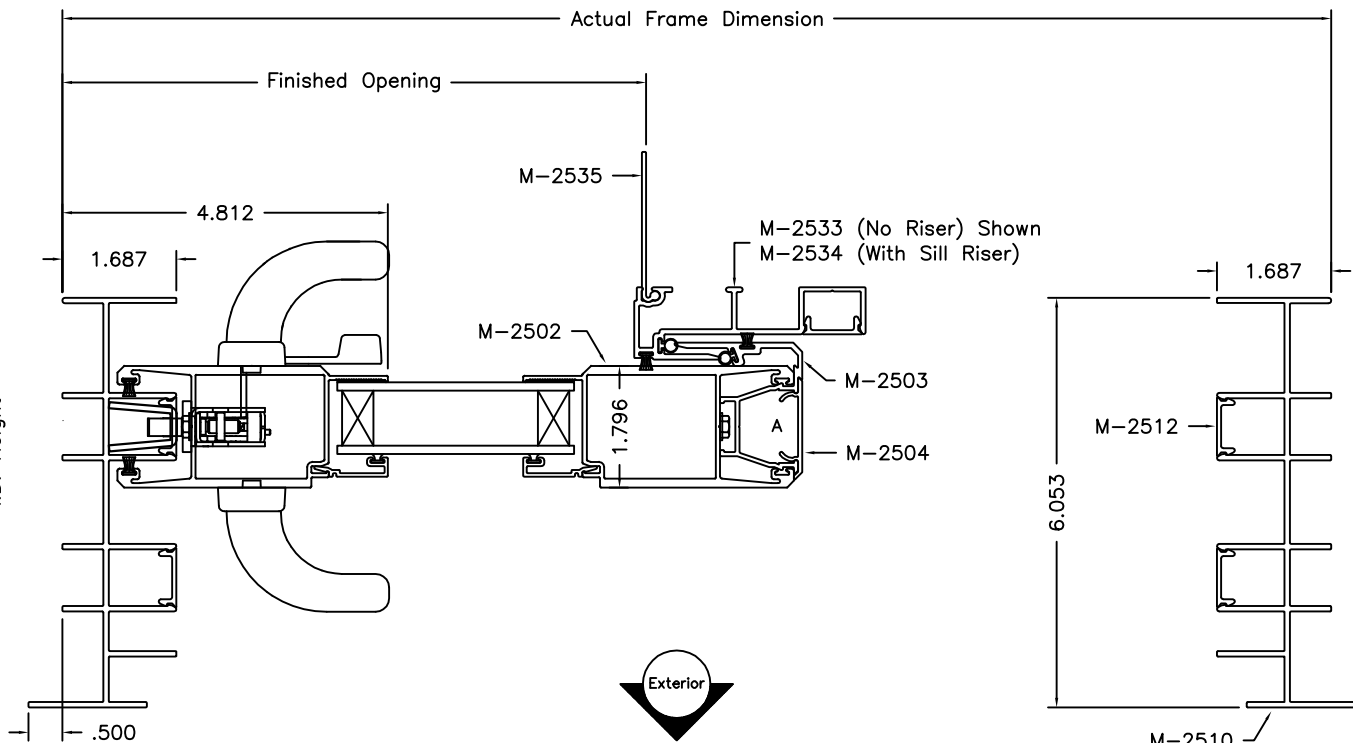
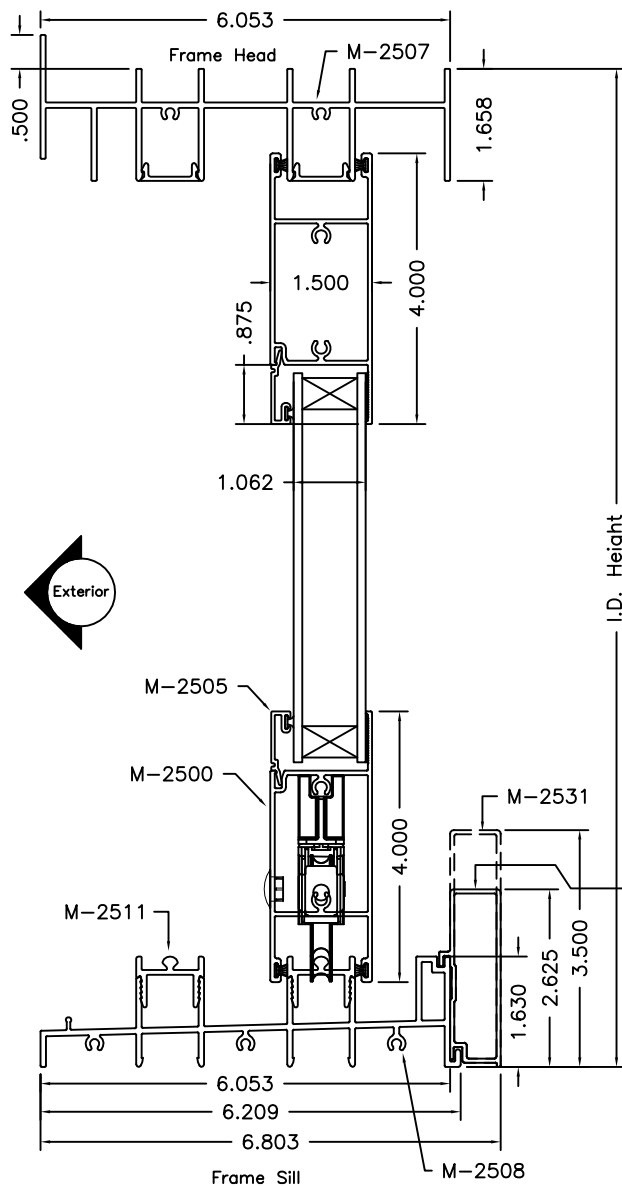
				MATERIAL:		 <p>650 WEST MARKET STREET GRATZ, PA 17030-0370</p>	DESCRIPTION: Cross Sectional Drawing, IG Non-Impact 2-Track XP, PX	
				FINISH:			PRODUCT: Series 120P S.G.D. DATE: 07/27/15	
				UNSPECIFIED WALL:			SCALE: Half PART NUMBER:	
				AREA:			DFTM: T.C. DRAWING NUMBER: CS-000139	
A	110C-16	Removed w-strip from panel interlock stile	08/10/16	T.C.	WEIGHT:		The information, design or data shown on this document or electronic media is the exclusive property of MI Windows and Doors, LLC. It is considered confidential and proprietary and is made available for limited use only. Its use or reproduction without the expressed written consent of MI Windows and Doors, LLC., is prohibited.	
-	110B-16	Initial release of sectional drawing	07/22/16	T.C.	PERIMETER:			
LTR	ECN #	REVISIONS	DATE	BY	BREAK ALL CORNERS R.015, UNLESS OTHERWISE SPECIFIED			



Nominal Size	Door Frame Dimension	Rough Opening	Finished Opening
2-6 x 6-8	60" x 80"	60 1/2" x 80 1/2"	29 1/4"
3-0 x 6-8	72" x 80"	72 1/2" x 80 1/2"	35 1/4"
4-0 x 6-8	96" x 80"	96 1/2" x 80 1/2"	47 1/4"
2-6 x 8-0	60" x 96"	60 1/2" x 96 1/2"	29 1/4"
3-0 x 8-0	72" x 96"	72 1/2" x 96 1/2"	35 1/4"
4-0 x 8-0	96" x 96"	96 1/2" x 96 1/2"	47 1/4"


XP Shown, PX Opposite

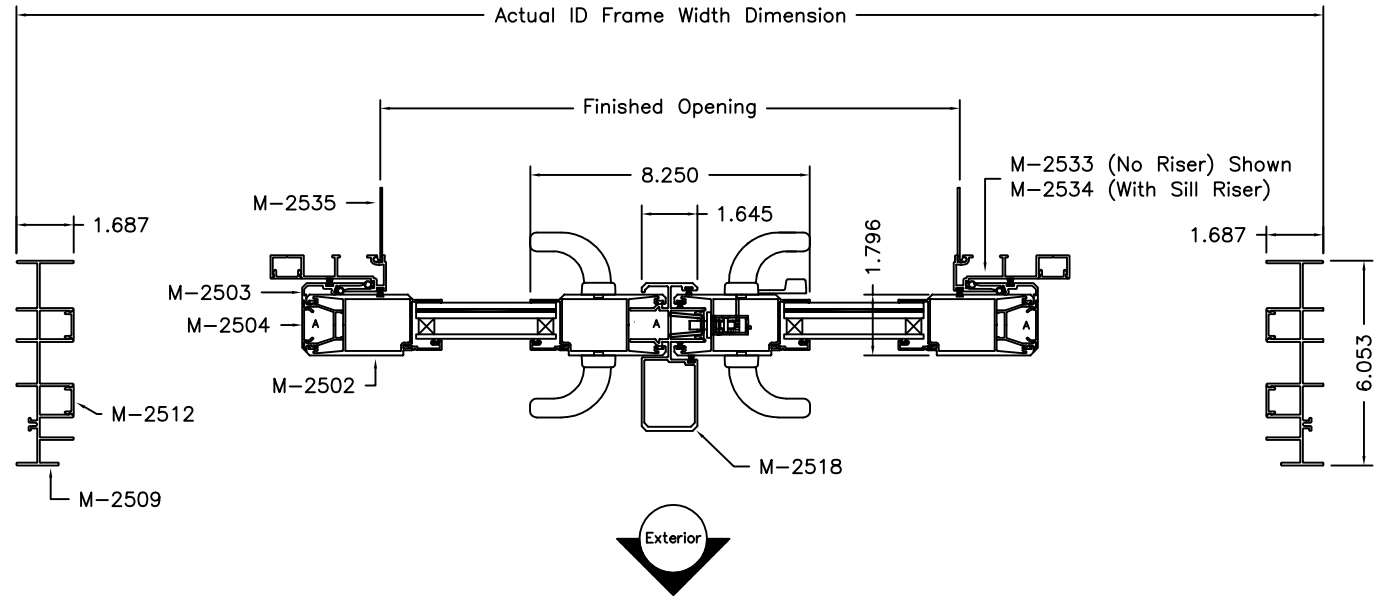
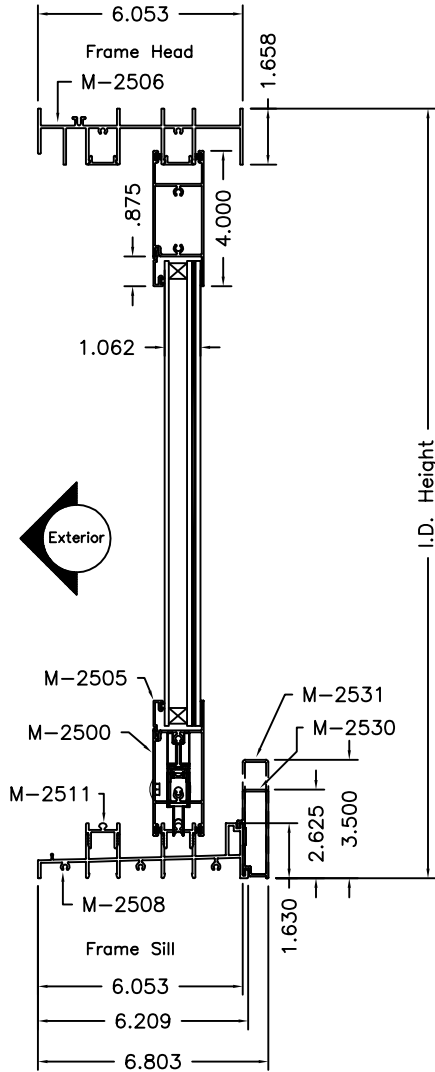
				MATERIAL:		 <small>650 WEST MARKET STREET GRATZ, PA 17030-0370</small>	DESCRIPTION: Cross Sectional Drawing, IG Impact 2-Track XP, PX Flange	
				FINISH:	UNSPECIFIED WALL:		PRODUCT: Series 120P S.G.D. DATE: 07/27/15	
				AREA:	BREAK ALL CORNERS R.015, UNLESS OTHERWISE SPECIFIED		SCALE: Half PART NUMBER:	
A	110C-16	Removed w-strip from panel interlock stile	08/10/16	T.C.			DFTM: T.C. DRAWING NUMBER: CS-000141	
-	110B-16	Initial release of sectional drawing	07/22/16	T.C.	The information, design or data shown on this document or electronic media is the exclusive property of MI Windows and Doors, LLC. It is considered confidential and proprietary and is made available for limited use only. Its use or reproduction without the expressed written consent of MI Windows and Doors, LLC., is prohibited.			
LTR	ECN #	REVISIONS	DATE	BY	PERIMETER:			



XP Shown, PX Opposite

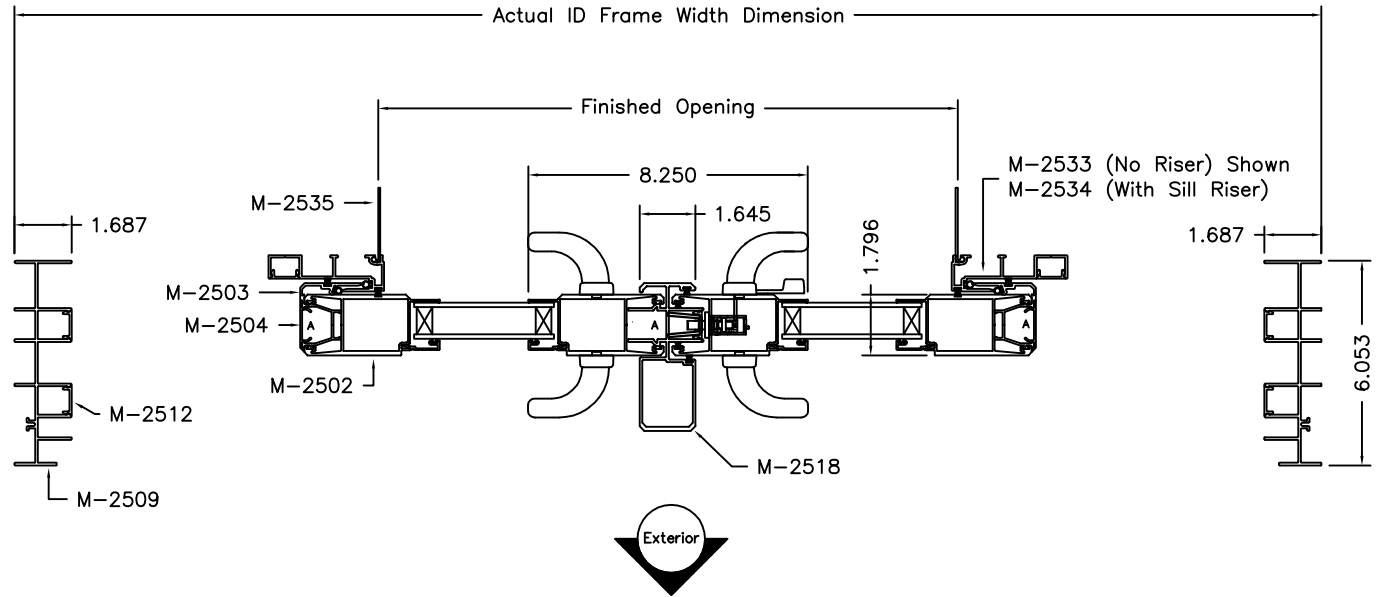
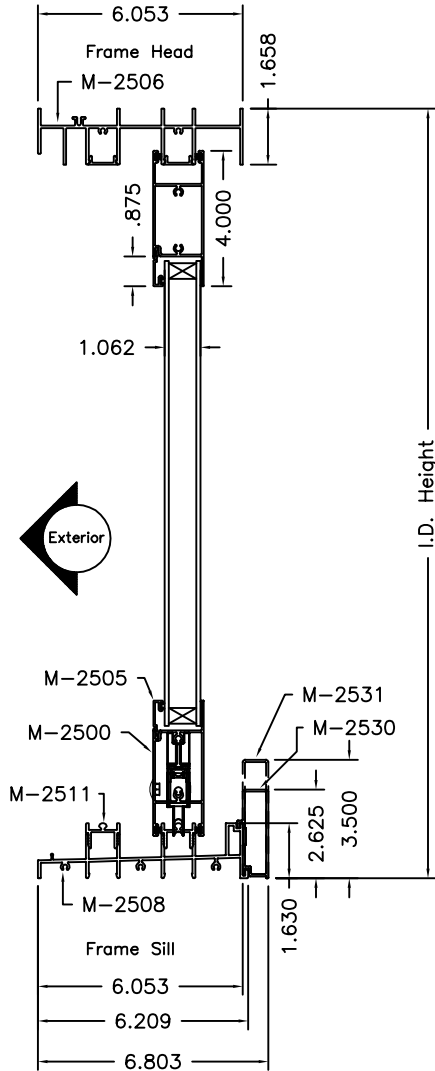
Nominal Size	Door Frame Dimension	Rough Opening	Finished Opening
2-6 x 6-8	60" x 80"	60 1/2" x 80 1/2"	29 1/4"
3-0 x 6-8	72" x 80"	72 1/2" x 80 1/2"	35 1/4"
4-0 x 6-8	96" x 80"	96 1/2" x 80 1/2"	47 1/4"
2-6 x 8-0	60" x 96"	60 1/2" x 96 1/2"	29 1/4"
3-0 x 8-0	72" x 96"	72 1/2" x 96 1/2"	35 1/4"
4-0 x 8-0	96" x 96"	96 1/2" x 96 1/2"	47 1/4"

				MATERIAL:		 <small>650 WEST MARKET STREET GRATZ, PA 17030-0370</small>	DESCRIPTION: Cross Sectional Drawing, IG Non-Impact 2-Track XP, PX Flange	
				FINISH:			PRODUCT: Series 120P S.G.D. DATE: 07/27/15	
				UNSPECIFIED WALL:			SCALE: Half PART NUMBER:	
				AREA:			DFTM: T.C. DRAWING NUMBER: CS-000142	
A	110C-16	Removed w-strip from panel interlock stile	08/10/16	T.C.	BREAK ALL CORNERS R.015, UNLESS OTHERWISE SPECIFIED		The information, design or data shown on this document or electronic media is the exclusive property of MI Windows and Doors, LLC. It is considered confidential and proprietary and is made available for limited use only. Its use or reproduction without the expressed written consent of MI Windows and Doors, LLC., is prohibited.	
-	110B-16	Initial release of sectional drawing	07/22/16	T.C.				
LTR	ECN #	REVISIONS	DATE	BY				




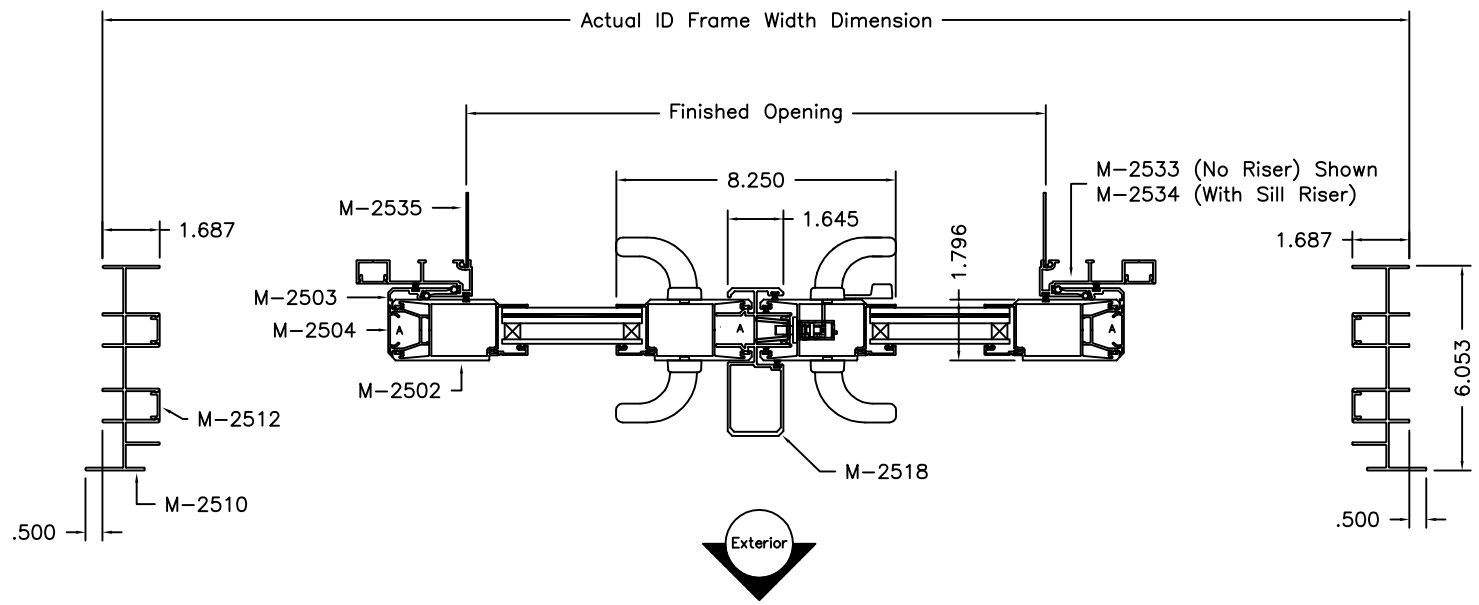
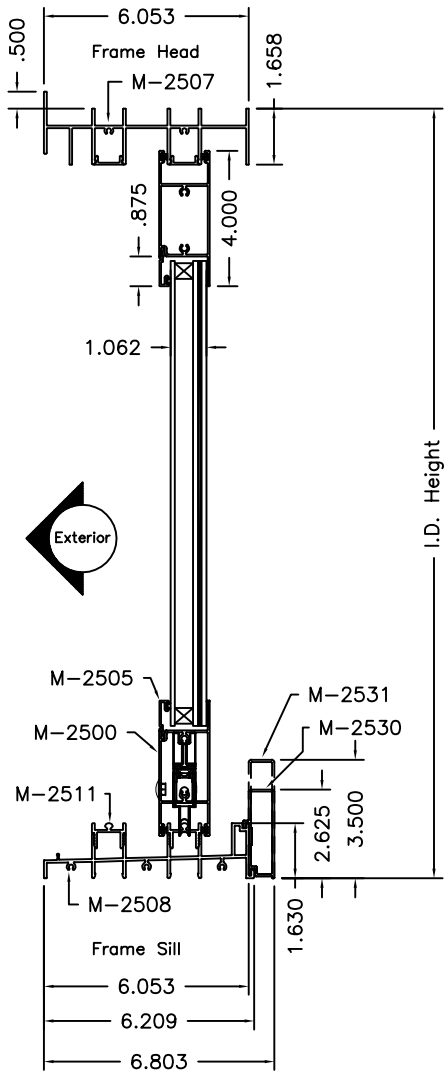
Nominal Size	Door Frame Dimension	Rough Opening	Finished Opening
5-0 x 6-8	118 5/8" x 80"	119 1/8" x 80 1/2"	57 1/8"
6-0 x 6-8	142 5/8" x 80"	143 1/8" x 80 1/2"	69 1/8"
8-0 x 6-8	190 5/8" x 80"	191 1/8" x 80 1/2"	93 1/8"
5-0 x 8-0	118 5/8" x 96"	119 1/8" x 96 1/2"	57 1/8"
6-0 x 8-0	142 5/8" x 96"	143 1/8" x 96 1/2"	69 1/8"
8-0 x 8-0	190 5/8" x 96"	191 1/8" x 96 1/2"	93 1/8"

					MATERIAL: Aluminum	 <small>650 WEST MARKET STREET GRATZ, PA 17030-0370</small>	DESCRIPTION: Cross Sectional Drawing PXXP, Finless, IG Impact				
					FINISH:		The information, design or data shown on this document or electronic media is the exclusive property of MI Windows and Doors, LLC. It is considered confidential and proprietary and is made available for limited use only. Its use or reproduction without the expressed written consent of MI Windows and Doors, LLC., is prohibited.	PRODUCT: 120P		DATE: 07/28/15	
					AREA:			BREAK ALL CORNERS R.015, UNLESS OTHERWISE SPECIFIED	SCALE: 1 : 4	PART NUMBER:	
A	110C-16	Removed w-strip from panel snap stiles	08/10/16	T.C.	WEIGHT:				DFTM: T.C.	DRAWING NUMBER: CS-000144	
-	110B-16	Initial release of sectional drawing	07/22/16	T.C.	PERIMETER:						
LTR	ECN #	REVISIONS	DATE	BY							



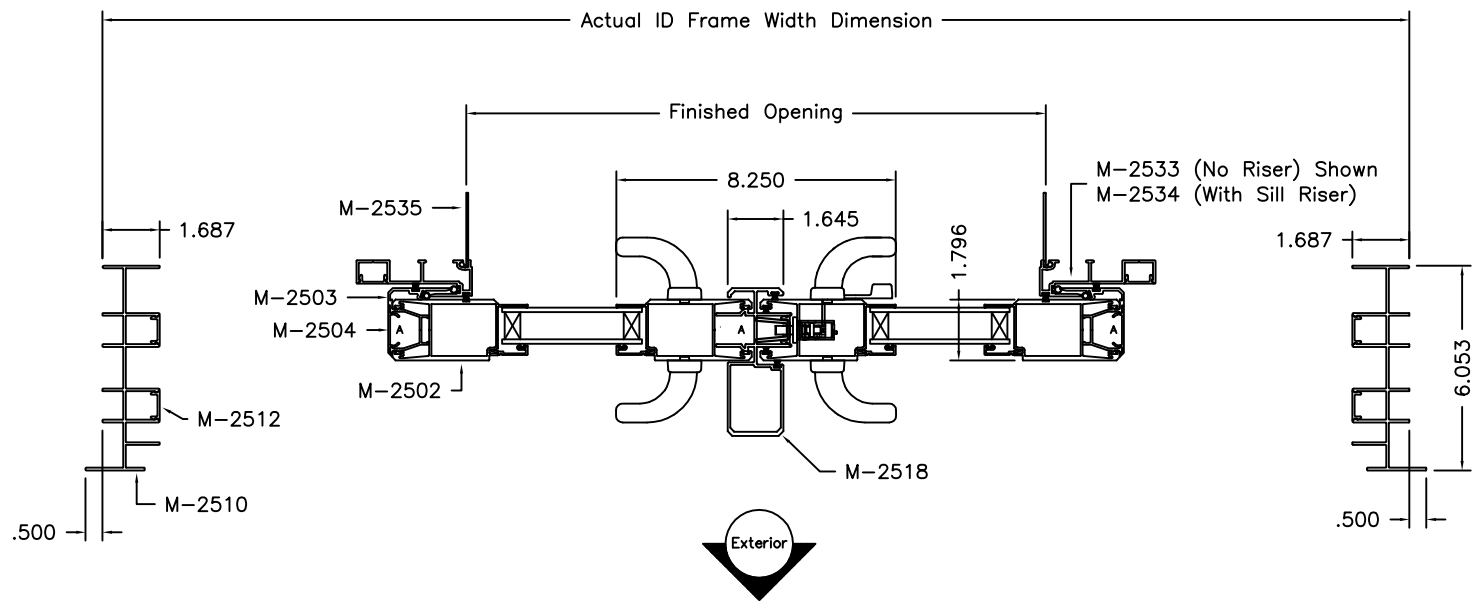
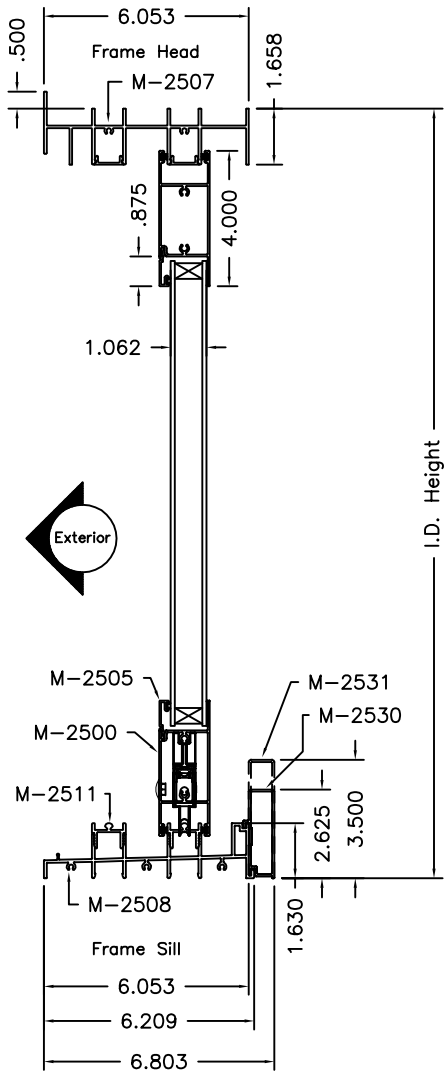
Nominal Size	Door Frame Dimension	Rough Opening	Finished Opening
5-0 x 6-8	118 5/8" x 80"	119 1/8" x 80 1/2"	57 1/8"
6-0 x 6-8	142 5/8" x 80"	143 1/8" x 80 1/2"	69 1/8"
8-0 x 6-8	190 5/8" x 80"	191 1/8" x 80 1/2"	93 1/8"
5-0 x 8-0	118 5/8" x 96"	119 1/8" x 96 1/2"	57 1/8"
6-0 x 8-0	142 5/8" x 96"	143 1/8" x 96 1/2"	69 1/8"
8-0 x 8-0	190 5/8" x 96"	191 1/8" x 96 1/2"	93 1/8"

				MATERIAL: Aluminum		 <small>650 WEST MARKET STREET GRATZ, PA 17030-0370</small>		DESCRIPTION: Cross Sectional Drawing	
				FINISH: UNSPECIFIED WALL:				PXXP, Finless, IG Non-Impact	
				AREA:		The information, design or data shown on this document or electronic media is the exclusive property of MI Windows and Doors, LLC. It is considered confidential and proprietary and is made available for limited use only. Its use or reproduction without the expressed written consent of MI Windows and Doors, LLC., is prohibited.		PRODUCT: 120P	
				WEIGHT:				DATE: 07/28/15	
				PERIMETER:		BREAK ALL CORNERS R.015, UNLESS OTHERWISE SPECIFIED		SCALE: 1 : 4	
								PART NUMBER:	
								DRAWING NUMBER: CS-000145	
A	110C-16	Removed w-strip from panel snap stiles	08/10/16	T.C.					
-	110B-16	Initial release of sectional drawing	07/22/16	T.C.					
LTR	ECN #	REVISIONS	DATE	BY					



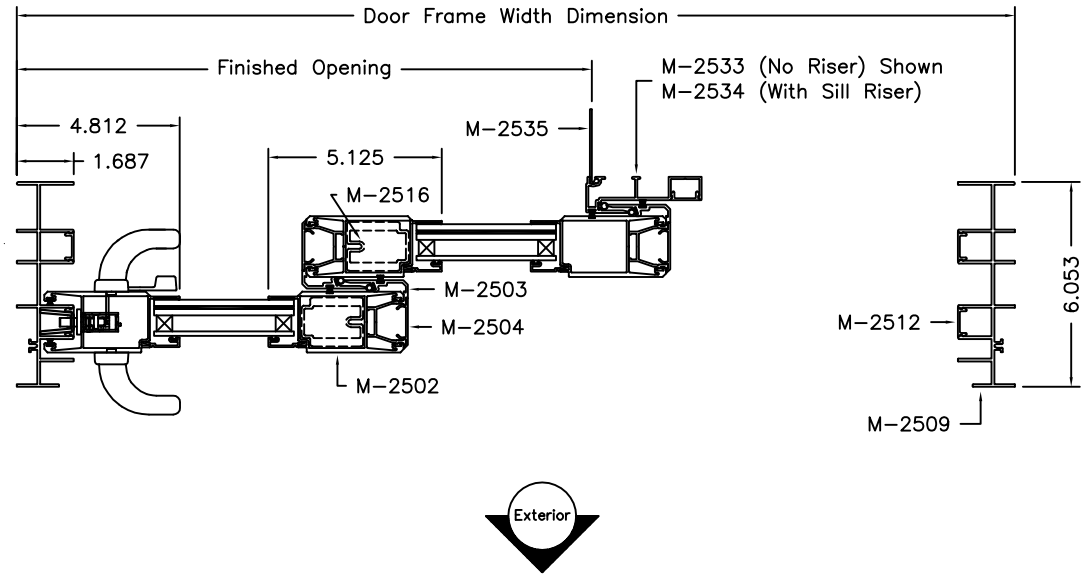
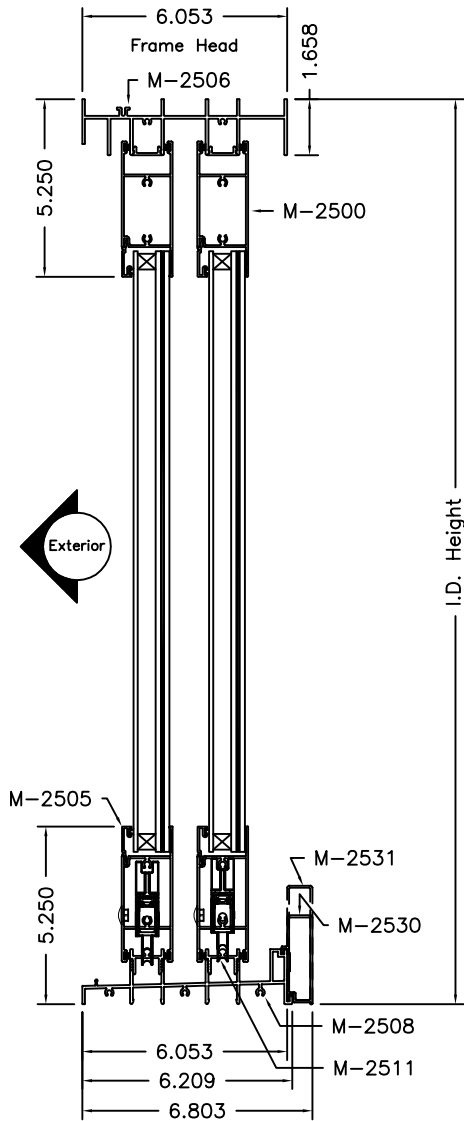
Nominal Size	Door Frame Dimension	Rough Opening	Finished Opening
5-0 x 6-8	118 5/8" x 80"	119 1/8" x 80 1/2"	57 1/8"
6-0 x 6-8	142 5/8" x 80"	143 1/8" x 80 1/2"	69 1/8"
8-0 x 6-8	190 5/8" x 80"	191 1/8" x 80 1/2"	93 1/8"
5-0 x 8-0	118 5/8" x 96"	119 1/8" x 96 1/2"	57 1/8"
6-0 x 8-0	142 5/8" x 96"	143 1/8" x 96 1/2"	69 1/8"
8-0 x 8-0	190 5/8" x 96"	191 1/8" x 96 1/2"	93 1/8"

				MATERIAL: Aluminum		MIWD MI WINDOWS AND DOORS 650 WEST MARKET STREET GRATZ, PA 17030-0370		DESCRIPTION: Cross Sectional Drawing PXXP, Flange, IG Impact					
				FINISH: UNSPECIFIED WALL:				PRODUCT: 120P		DATE: 07/28/15			
				AREA:		The information, design or data shown on this document or electronic media is the exclusive property of MI Windows and Doors, LLC. It is considered confidential and proprietary and is made available for limited use only. Its use or reproduction without the expressed written consent of MI Windows and Doors, LLC., is prohibited.		SCALE: 1 : 4		PART NUMBER:			
A 110C-16				Removed w-strip from panel snap styles				08/10/16		T.C.			
- 110B-16				Initial release of sectional drawing				07/22/16		T.C.			
LTR				ECN #		REVISIONS		DATE		BY			
				PERIMETER:		BREAK ALL CORNERS R.015, UNLESS OTHERWISE SPECIFIED				DRAWING NUMBER: CS-000147			




Nominal Size	Door Frame Dimension	Rough Opening	Finished Opening
5-0 x 6-8	118 5/8" x 80"	119 1/8" x 80 1/2"	57 1/8"
6-0 x 6-8	142 5/8" x 80"	143 1/8" x 80 1/2"	69 1/8"
8-0 x 6-8	190 5/8" x 80"	191 1/8" x 80 1/2"	93 1/8"
5-0 x 8-0	118 5/8" x 96"	119 1/8" x 96 1/2"	57 1/8"
6-0 x 8-0	142 5/8" x 96"	143 1/8" x 96 1/2"	69 1/8"
8-0 x 8-0	190 5/8" x 96"	191 1/8" x 96 1/2"	93 1/8"

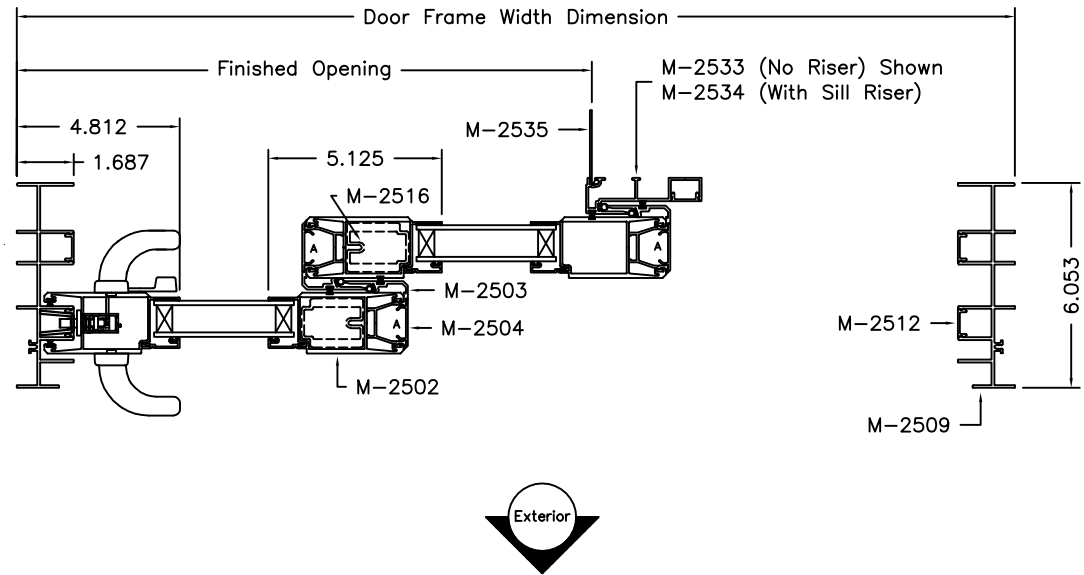
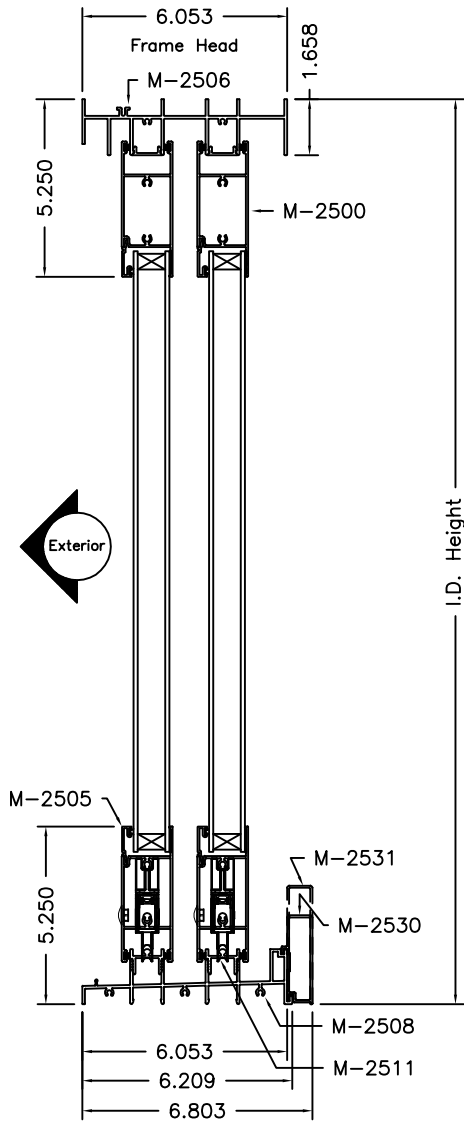
				MATERIAL: Aluminum		MIWD MI WINDOWS AND DOORS 650 WEST MARKET STREET GRATZ, PA 17030-0370		DESCRIPTION: Cross Sectional Drawing PXXP, Flange, IG Non-Impact					
				FINISH: UNSPECIFIED WALL:				PRODUCT: 120P		DATE: 07/28/15			
				AREA:		The information, design or data shown on this document or electronic media is the exclusive property of MI Windows and Doors, LLC. It is considered confidential and proprietary and is made available for limited use only. Its use or reproduction without the expressed written consent of MI Windows and Doors, LLC., is prohibited.		SCALE: 1 : 4		PART NUMBER:			
A 110C-16				Removed w-strip from panel snap stiles				08/10/16		T.C.			
- 110B-16				Initial release of sectionnal drawing				07/22/16		T.C.			
LTR				ECN #		REVISIONS		DATE		BY			
				PERIMETER:		BREAK ALL CORNERS R.015, UNLESS OTHERWISE SPECIFIED		DFTM: T.C.		DRAWING NUMBER: CS-000148			



XIP Shown, PIX Opposite


Nominal Size	Door Frame Dimension	Rough Opening	Finished Opening
5-0 x 6-8	89 1/2" x 80"	90" x 80 1/2"	57"
6-0 x 6-8	107 1/2" x 80"	108" x 80 1/2"	69"
8-0 x 6-8	143 1/2" x 80"	144" x 80 1/2"	93"
5-0 x 8-0	89 1/2" x 96"	90" x 96 1/2"	57"
6-0 x 8-0	107 1/2" x 96"	108" x 96 1/2"	69"
8-0 x 8-0	143 1/2" x 96"	144" x 96 1/2"	93"

				MATERIAL: Aluminum		 <small>650 WEST MARKET STREET GRATZ, PA 17030-0370</small>		DESCRIPTION: Cross Sectional Drawing			
				FINISH: UNSPECIFIED WALL:				XIP or PIX, Finless, IG Impact			
				AREA:		The information, design or data shown on this document or electronic media is the exclusive property of MI Windows and Doors, LLC. It is considered confidential and proprietary and is made available for limited use only. Its use or reproduction without the expressed written consent of MI Windows and Doors, LLC., is prohibited.		PRODUCT: 120P			
				WEIGHT:				DATE: 07/28/15			
A	110C-16	Removed w-strip snap panel snap stiles	08/10/16	T.C.	BREAK ALL CORNERS R.015, UNLESS OTHERWISE SPECIFIED		SCALE: 1 : 4		PART NUMBER:		
-	110B-16	Initial release of sectional drawing	07/22/16	T.C.			DFTM: T.C.		DRAWING NUMBER: CS-000150		
LTR	ECN #	REVISIONS	DATE	BY	PERIMETER:						

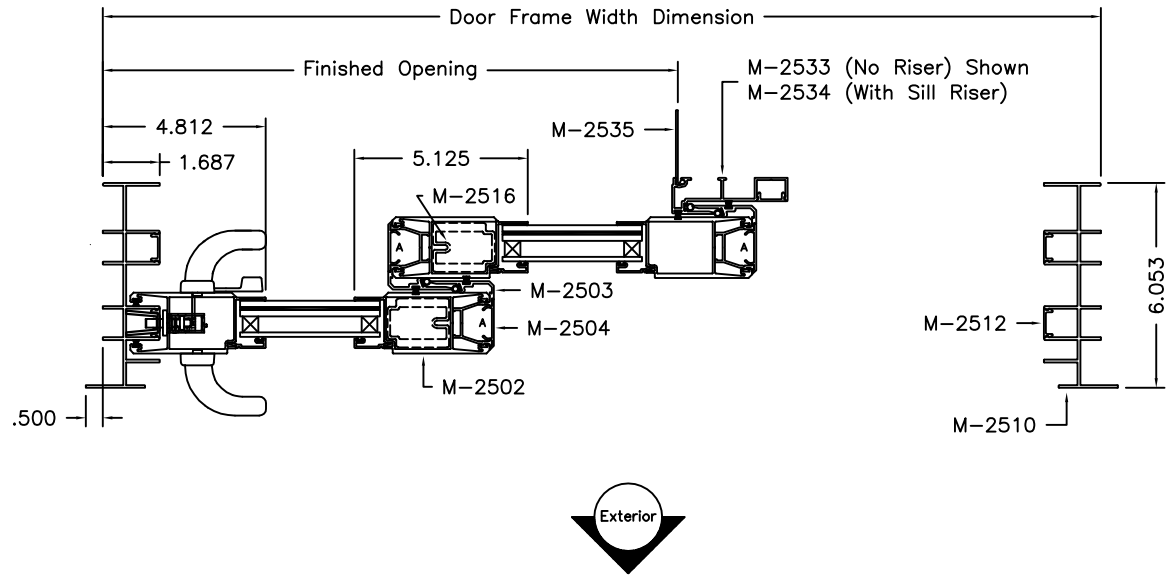
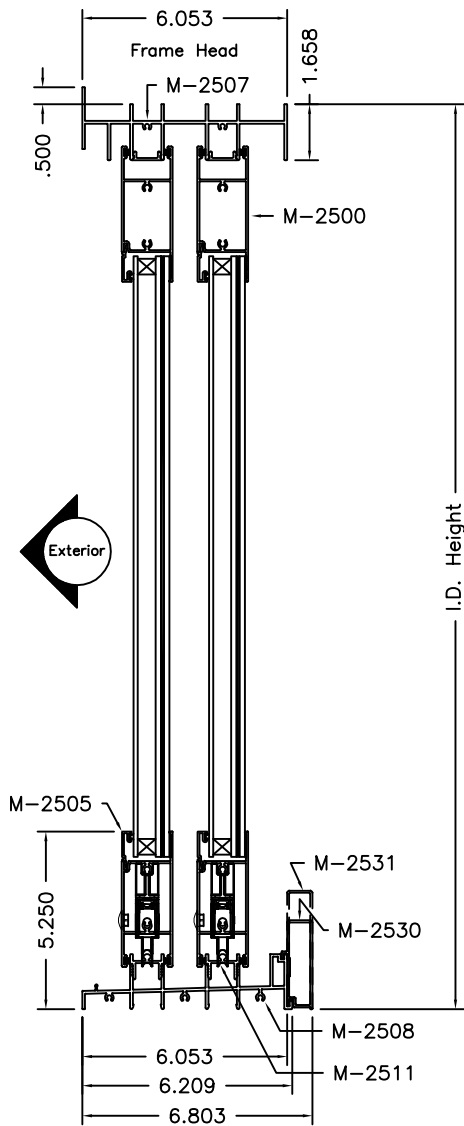


XIP Shown, PIX Opposite

Nominal Size	Door Frame Dimension	Rough Opening	Finished Opening
5-0 x 6-8	89 1/2" x 80"	90" x 80 1/2"	57"
6-0 x 6-8	107 1/2" x 80"	108" x 80 1/2"	69"
8-0 x 6-8	143 1/2" x 80"	144" x 80 1/2"	93"
5-0 x 8-0	89 1/2" x 96"	90" x 96 1/2"	57"
6-0 x 8-0	107 1/2" x 96"	108" x 96 1/2"	69"
8-0 x 8-0	143 1/2" x 96"	144" x 96 1/2"	93"


				MATERIAL: Aluminum		 <small>650 WEST MARKET STREET GRATZ, PA 17030-0370</small>		DESCRIPTION: Cross Sectional Drawing			
				FINISH:				UNSPECIFIED WALL:		XIP or PIX, Finless, IG Non-Impact	
				AREA:				PERIMETER:		PRODUCT: 120P	
A	110C-16	Removed w-strip from panel snap stiles	08/10/16	T.C.	WEIGHT:		DATE: 07/28/15		SCALE: 1 : 4		
-	110B-16	Initial release of sectional drawing	07/22/16	T.C.	BREAK ALL CORNERS R.015, UNLESS OTHERWISE SPECIFIED		PART NUMBER:		DRAWING NUMBER: CS-000151		
LTR	ECN #	REVISIONS	DATE	BY			DFTM: T.C.				

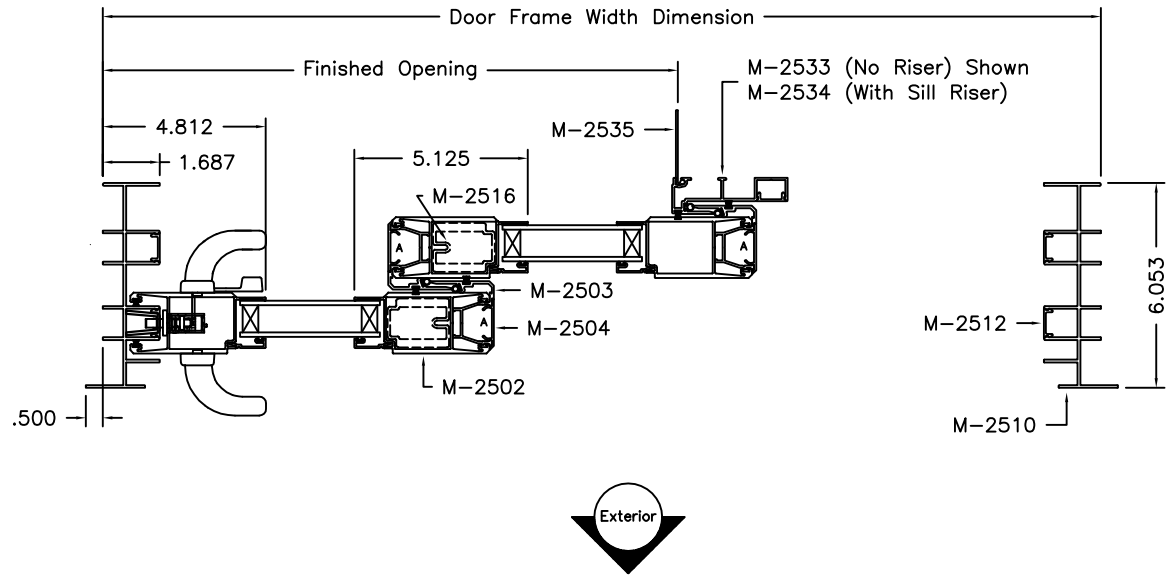
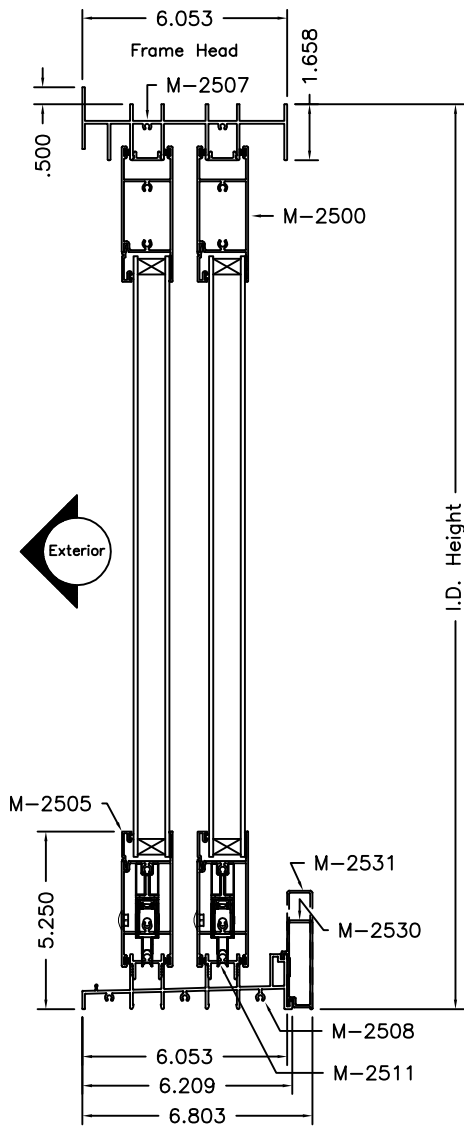
The information, design or data shown on this document or electronic media is the exclusive property of MI Windows and Doors, LLC. It is considered confidential and proprietary and is made available for limited use only. Its use or reproduction without the expressed written consent of MI Windows and Doors, LLC., is prohibited.



XIP Shown, PIX Opposite

Nominal Size	Door Frame ID Dimension	Rough Opening	Finished Opening
5-0 x 6-8	89 1/2" x 80"	90" x 80 1/2"	57"
6-0 x 6-8	107 1/2" x 80"	108" x 80 1/2"	69"
8-0 x 6-8	143 1/2" x 80"	144" x 80 1/2"	93"
5-0 x 8-0	89 1/2" x 96"	90" x 96 1/2"	57"
6-0 x 8-0	107 1/2" x 96"	108" x 96 1/2"	69"
8-0 x 8-0	143 1/2" x 96"	144" x 96 1/2"	93"

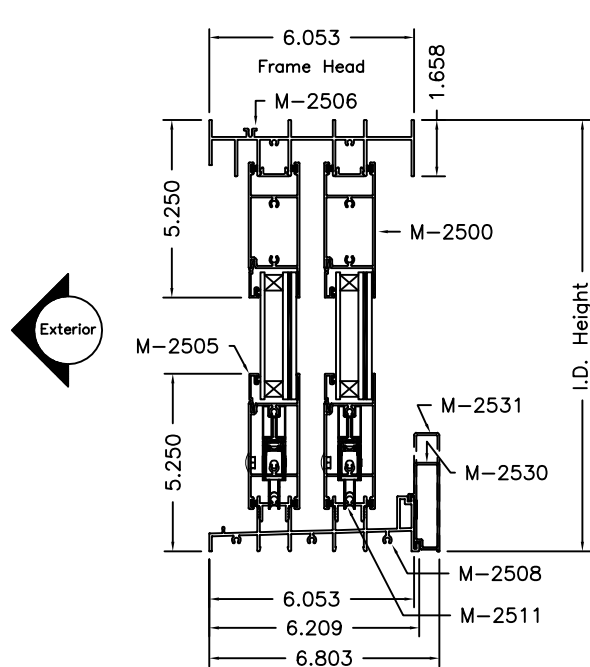
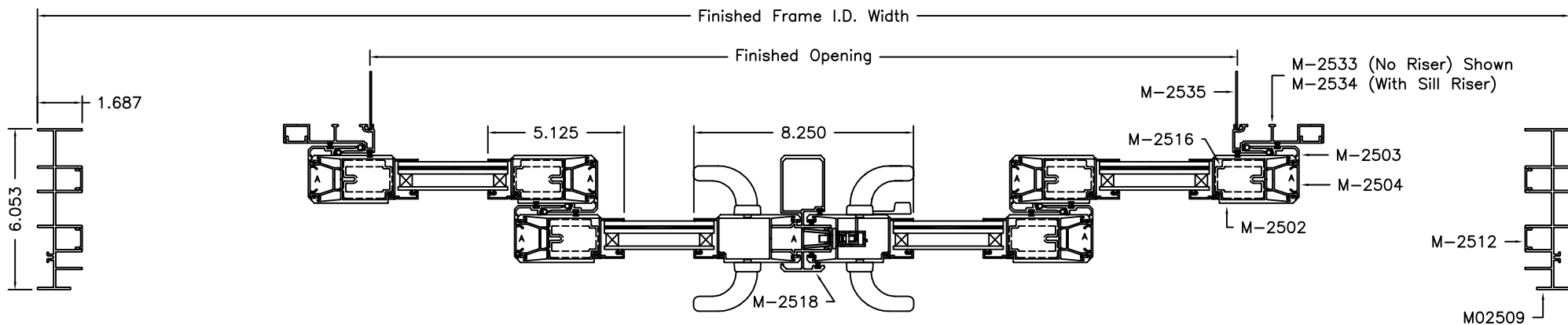
				MATERIAL: Aluminum		 <small>650 WEST MARKET STREET GRATZ, PA 17030-0370</small>		DESCRIPTION: Cross Sectional Drawing			
				FINISH:				UNSPECIFIED WALL:		XIP or PIX, Flange, IG Impact	
				AREA:				BREAK ALL CORNERS R.015, UNLESS OTHERWISE SPECIFIED		PRODUCT: 120P	
A	110C-16	Removed w-strip from panel interlock stile	08/10/16	T.C.	WEIGHT:		The information, design or data shown on this document or electronic media is the exclusive property of MI Windows and Doors, LLC. It is considered confidential and proprietary and is made available for limited use only. Its use or reproduction without the expressed written consent of MI Windows and Doors, LLC., is prohibited.		DATE: 07/29/15		
-	110B-16	Initial release of sectional drawing	07/22/16	T.C.	PERIMETER:		SCALE: 1 : 4		PART NUMBER:		
LTR	ECN #	REVISIONS	DATE	BY			DFTM: T.C.		DRAWING NUMBER: CS-000153		



XIP Shown, PIX Opposite

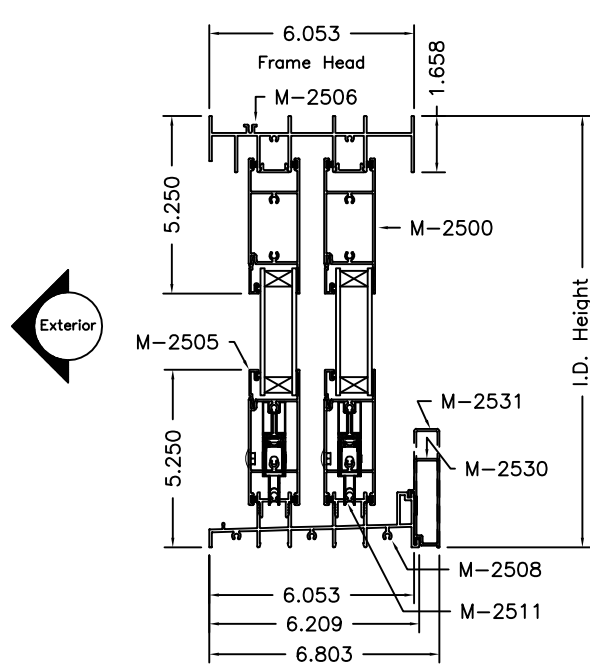
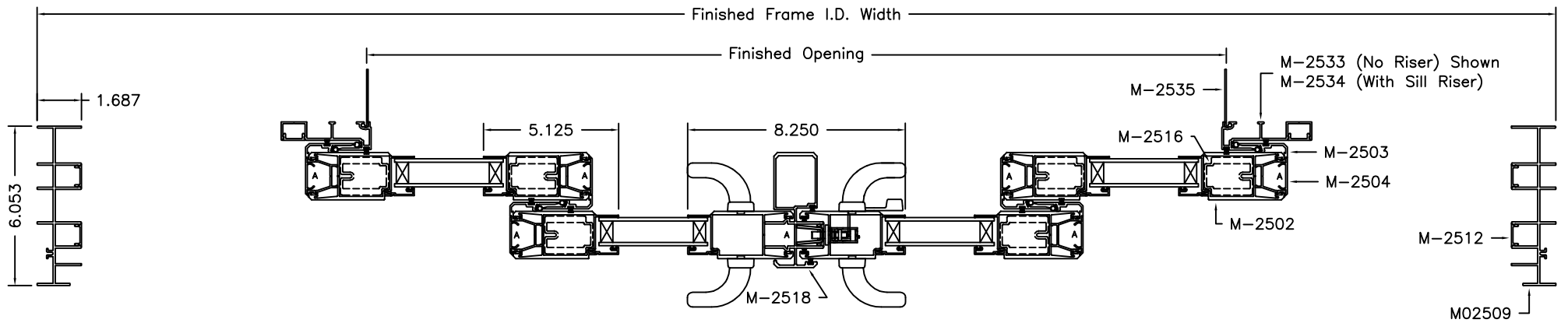
Nominal Size	Door Frame ID Dimension	Rough Opening	Finished Opening
5-0 x 6-8	89 1/2" x 80"	90" x 80 1/2"	57"
6-0 x 6-8	107 1/2" x 80"	108" x 80 1/2"	69"
8-0 x 6-8	143 1/2" x 80"	144" x 80 1/2"	93"
5-0 x 8-0	89 1/2" x 96"	90" x 96 1/2"	57"
6-0 x 8-0	107 1/2" x 96"	108" x 96 1/2"	69"
8-0 x 8-0	143 1/2" x 96"	144" x 96 1/2"	93"

				MATERIAL: Aluminum		MIWD MI WINDOWS AND DOORS 650 WEST MARKET STREET GRATZ, PA 17030-0370		DESCRIPTION: Cross Sectional Drawing		
				FINISH: UNSPECIFIED WALL:				XIP or PIX, Flange, IG Non-Impact		
				AREA:		The information, design or data shown on this document or electronic media is the exclusive property of MI Windows and Doors, LLC. It is considered confidential and proprietary and is made available for limited use only. Its use or reproduction without the expressed written consent of MI Windows and Doors, LLC., is prohibited.		PRODUCT: 120P		
				WEIGHT:				DATE: 07/29/15		
A	110C-16	Removed w-strip from panel interlock stile	08/11/16	T.C.	BREAK ALL CORNERS R.015, UNLESS OTHERWISE SPECIFIED		SCALE: 1 : 4		PART NUMBER:	
-	110B-16	Initial release of sectional drawing	07/22/16	T.C.			DFTM: T.C.		DRAWING NUMBER: CS-000154	
LTR	ECN #	REVISIONS	DATE	BY	PERIMETER:					



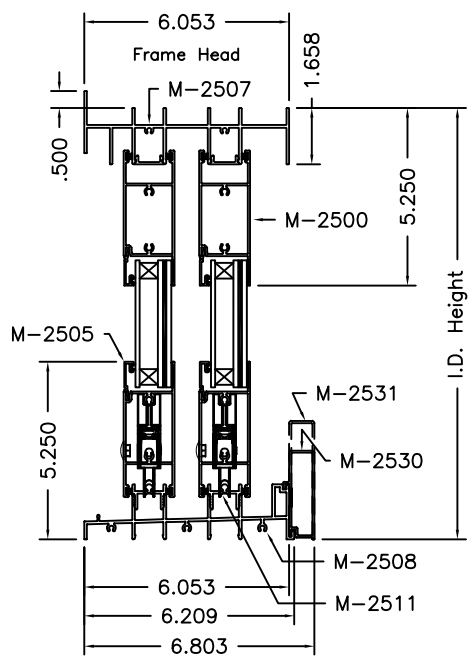
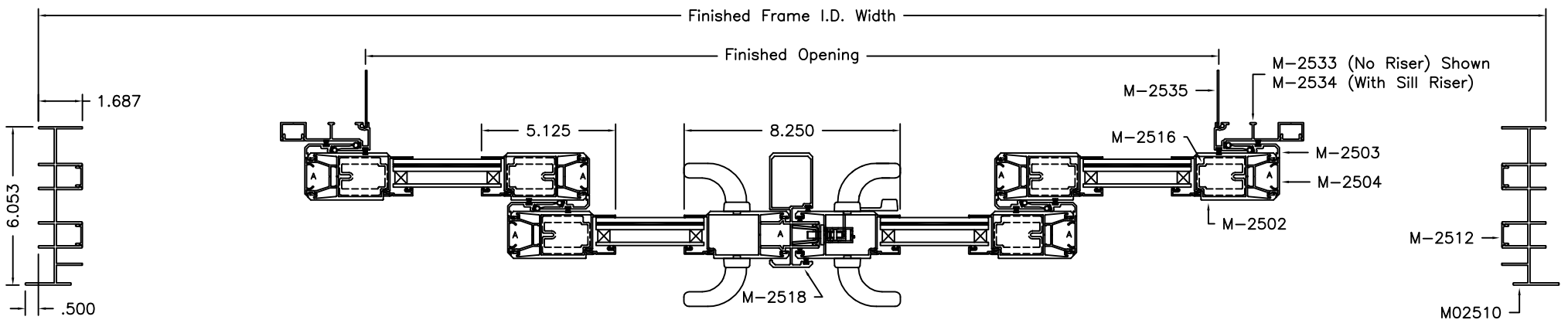
Nominal Size	Door Frame ID Dimension	Rough Opening	Finished Opening
10-0 x 6-8	177 5/8" x 80"	178 1/8" x 80 1/2"	112 5/8"
12-0 x 6-8	213 5/8" x 80"	214 1/8" x 80 1/2"	136 5/8"
16-0 x 6-8	285 5/8" x 80"	286 1/8" x 80 1/2"	184 5/8"
10-0 x 8-0	177 5/8" x 96"	178 1/8" x 96 1/2"	112 5/8"
12-0 x 8-0	213 5/8" x 96"	214 1/8" x 96 1/2"	136 5/8"
16-0 x 8-0	285 5/8" x 96"	286 1/8" x 96 1/2"	184 5/8"

				MATERIAL: Aluminum		MIWD MI WINDOWS AND DOORS 650 WEST MARKET STREET GRATZ, PA 17030-0370		DESCRIPTION: Cross Sectional Drawing PIXXP, Finless, IG Impact			
				FINISH: UNSPECIFIED WALL:				PRODUCT: 120P		DATE: 07/29/15	
				AREA:		The information, design or data shown on this document or electronic media is the exclusive property of MI Windows and Doors, LLC. It is considered confidential and proprietary and is made available for limited use only. Its use or reproduction without the expressed written consent of MI Windows and Doors, LLC., is prohibited.		SCALE: 1 : 4		PART NUMBER:	
A 110C-16				Removed w-strip from panel snap stiles				08/10/16		T.C.	
-				110B-16		Initial release of sectional drawing		07/22/16		T.C.	
LTR				ECN #		REVISIONS		DATE		BY	



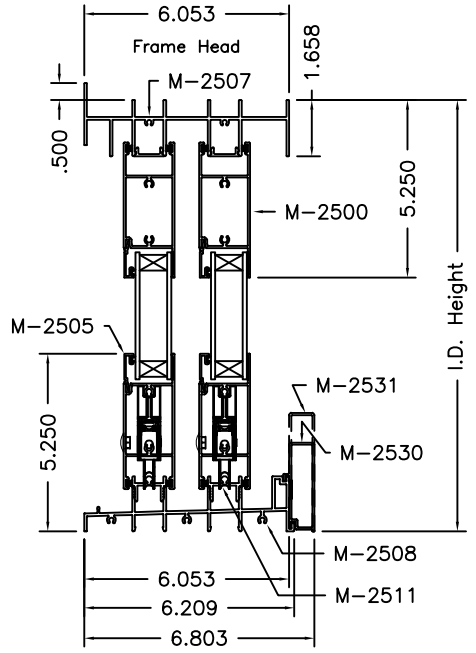
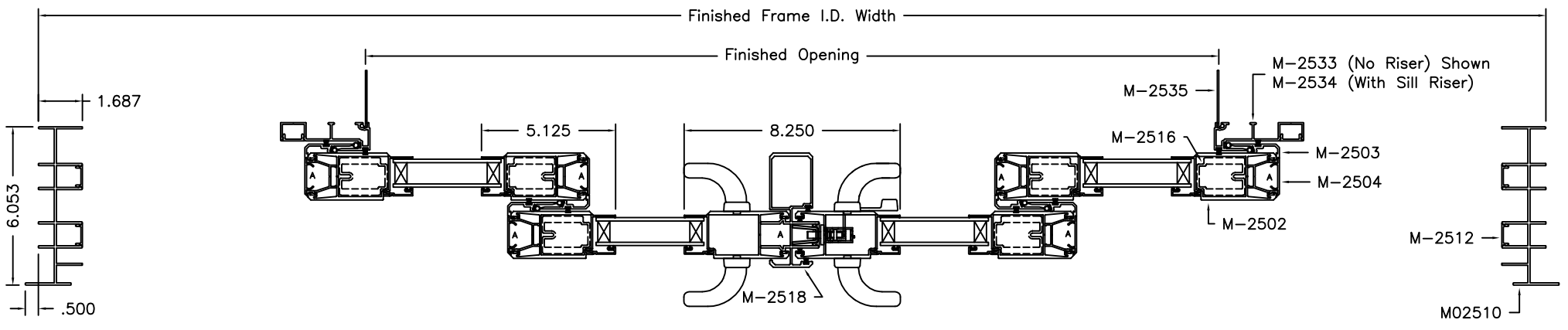
Nominal Size	Door Frame ID Dimension	Rough Opening	Finished Opening
10-0 x 6-8	177 5/8" x 80"	178 1/8" x 80 1/2"	112 5/8"
12-0 x 6-8	213 5/8" x 80"	214 1/8" x 80 1/2"	136 5/8"
16-0 x 6-8	285 5/8" x 80"	286 1/8" x 80 1/2"	184 5/8"
10-0 x 8-0	177 5/8" x 96"	178 1/8" x 96 1/2"	112 5/8"
12-0 x 8-0	213 5/8" x 96"	214 1/8" x 96 1/2"	136 5/8"
16-0 x 8-0	285 5/8" x 96"	286 1/8" x 96 1/2"	184 5/8"

				MATERIAL: Aluminum		MIWD MI WINDOWS AND DOORS 650 WEST MARKET STREET GRATZ, PA 17030-0370		DESCRIPTION: Cross Sectional Drawing PIXXP, Finless, IG Non-Impact			
				FINISH: UNSPECIFIED WALL:				PRODUCT: 120P		DATE: 07/29/15	
				AREA:		The information, design or data shown on this document or electronic media is the exclusive property of MI Windows and Doors, LLC. It is considered confidential and proprietary and is made available for limited use only. Its use or reproduction without the expressed written consent of MI Windows and Doors, LLC., is prohibited.		SCALE: 1 : 4		PART NUMBER:	
A 110C-16				Removed w-strip from panel snap stile				08/10/11 T.C.		DFTM: T.C.	
- 110B-16				Initial release of sectional drawing		07/22/16 T.C.					
LTR				ECN #		REVISIONS		DATE		BY	




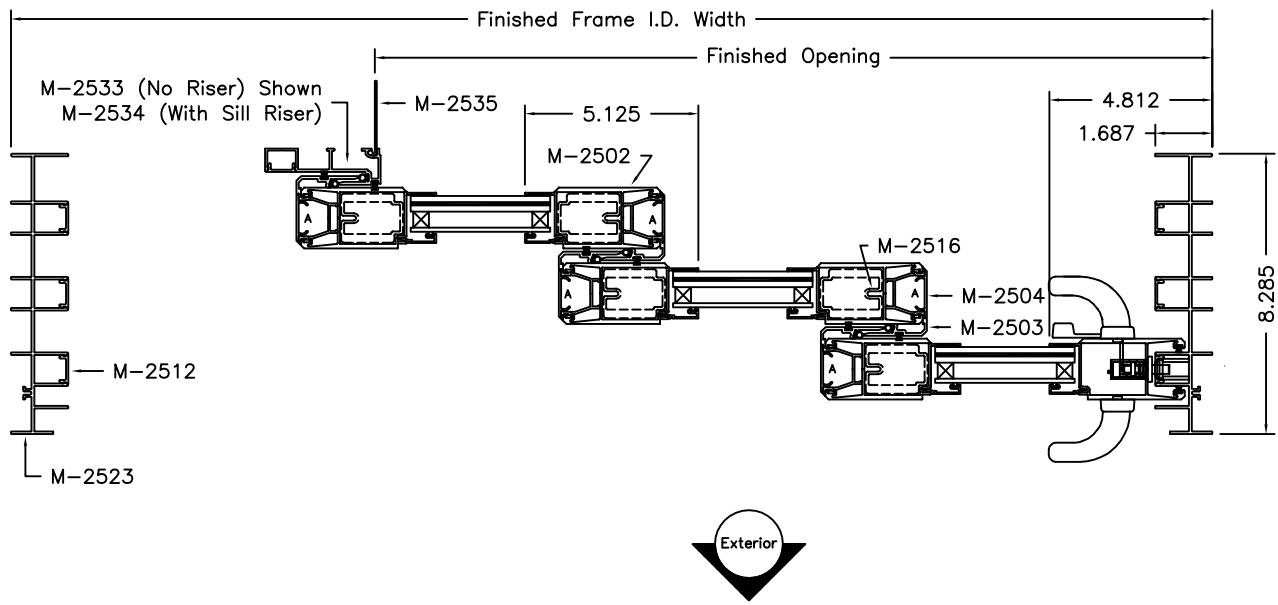
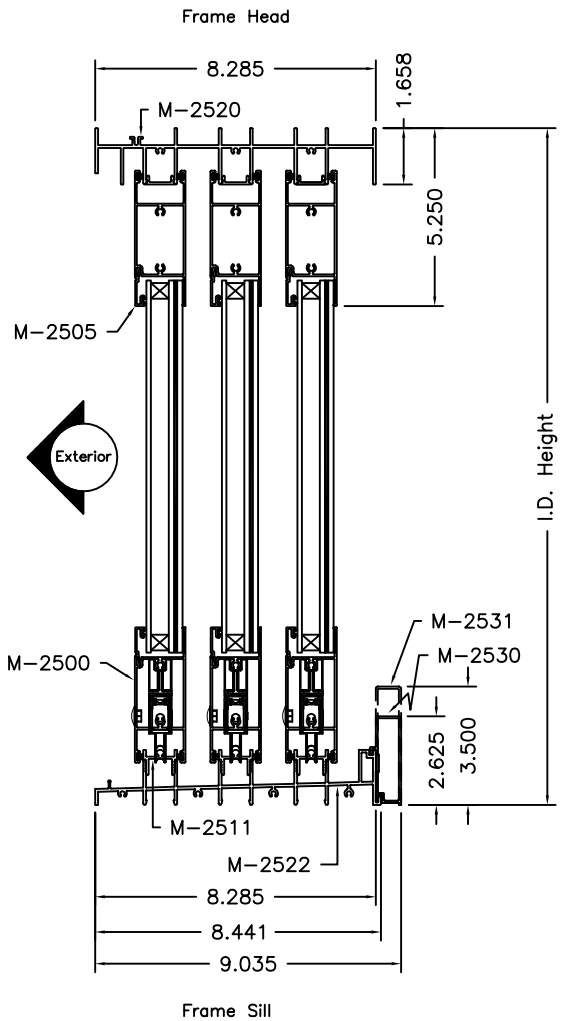
Nominal Size	Door Frame ID Dimension	Rough Opening	Finished Opening
10-0 x 6-8	177 5/8" x 80"	178 1/8" x 80 1/2"	112 5/8"
12-0 x 6-8	213 5/8" x 80"	214 1/8" x 80 1/2"	136 5/8"
16-0 x 6-8	285 5/8" x 80"	286 1/8" x 80 1/2"	184 5/8"
10-0 x 8-0	177 5/8" x 96"	178 1/8" x 96 1/2"	112 5/8"
12-0 x 8-0	213 5/8" x 96"	214 1/8" x 96 1/2"	136 5/8"
16-0 x 8-0	285 5/8" x 96"	286 1/8" x 96 1/2"	184 5/8"

				MATERIAL: Aluminum		MIWD MI WINDOWS AND DOORS 650 WEST MARKET STREET GRATZ, PA 17030-0370		DESCRIPTION: Cross Sectional Drawing PIXXP, Flange, IG Impact			
				FINISH: UNSPECIFIED WALL:				PRODUCT: 120P		DATE: 07/29/15	
				AREA:		The information, design or data shown on this document or electronic media is the exclusive property of MI Windows and Doors, LLC. It is considered confidential and proprietary and is made available for limited use only. Its use or reproduction without the expressed written consent of MI Windows and Doors, LLC., is prohibited.		SCALE: 1 : 4		PART NUMBER:	
A 110C-16				Removed w-strip from panel snap stiles				08/10/16		T.C.	
-				110B-16		Initial release of sectional drawing		07/22/16		T.C.	
LTR				ECN #		REVISIONS		DATE		BY	



Nominal Size	Door Frame ID Dimension	Rough Opening	Finished Opening
10-0 x 6-8	177 5/8" x 80"	178 1/8" x 80 1/2"	112 5/8"
12-0 x 6-8	213 5/8" x 80"	214 1/8" x 80 1/2"	136 5/8"
16-0 x 6-8	285 5/8" x 80"	286 1/8" x 80 1/2"	184 5/8"
10-0 x 8-0	177 5/8" x 96"	178 1/8" x 96 1/2"	112 5/8"
12-0 x 8-0	213 5/8" x 96"	214 1/8" x 96 1/2"	136 5/8"
16-0 x 8-0	285 5/8" x 96"	286 1/8" x 96 1/2"	184 5/8"

				MATERIAL: Aluminum		 <small>650 WEST MARKET STREET GRATZ, PA 17030-0370</small>		DESCRIPTION: Cross Sectional Drawing			
				FINISH: UNSPECIFIED WALL:				PIXXP, Flange, IG Non-Impact			
				AREA:				PRODUCT: 120P			
A	110C-16	Removed w-strip from panel snap stiles	08/10/16	T.C.	BREAK ALL CORNERS R.015, UNLESS OTHERWISE SPECIFIED	The information, design or data shown on this document or electronic media is the exclusive property of MI Windows and Doors, LLC. It is considered confidential and proprietary and is made available for limited use only. Its use or reproduction without the expressed written consent of MI Windows and Doors, LLC., is prohibited.		DATE: 07/29/15			
-	110B-16	Initial release of sectional drawing	07/22/16	T.C.		WEIGHT:		SCALE: 1 : 4		PART NUMBER:	
LTR	ECN #	REVISIONS	DATE	BY		PERIMETER:		DFTM: T.C.		DRAWING NUMBER: CS-000160	



Nominal Size	Door Frame ID Dimension	Rough Opening	Finished Opening
7-6 x 6-8	115 1/2" x 80"	116" x 80 1/2"	84 3/4"
9-0 x 6-8	139 1/2" x 80"	140" x 80 1/2"	102 3/4"
12-0 x 6-8	187 1/2" x 80"	188" x 80 1/2"	138 3/4"
7-6 x 8-0	115 1/2" x 96"	116" x 96 1/2"	84 3/4"
9-0 x 8-0	139 1/2" x 96"	140" x 96 1/2"	102 3/4"
12-0 x 8-0	187 1/2" x 96"	188" x 96 1/2"	138 3/4"

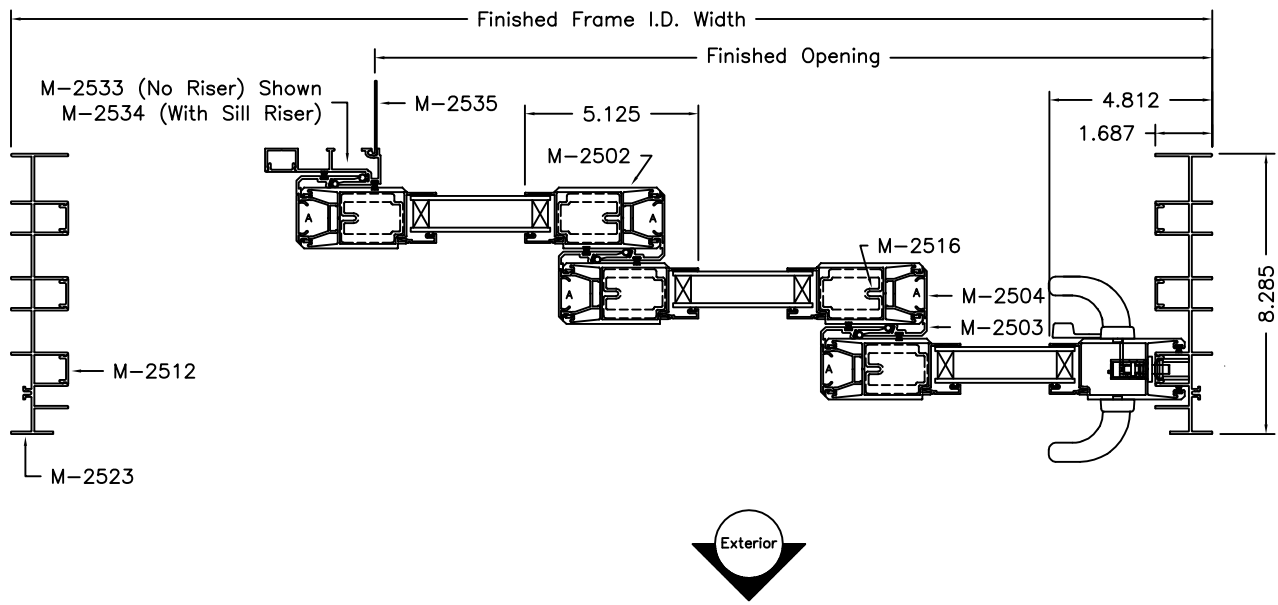
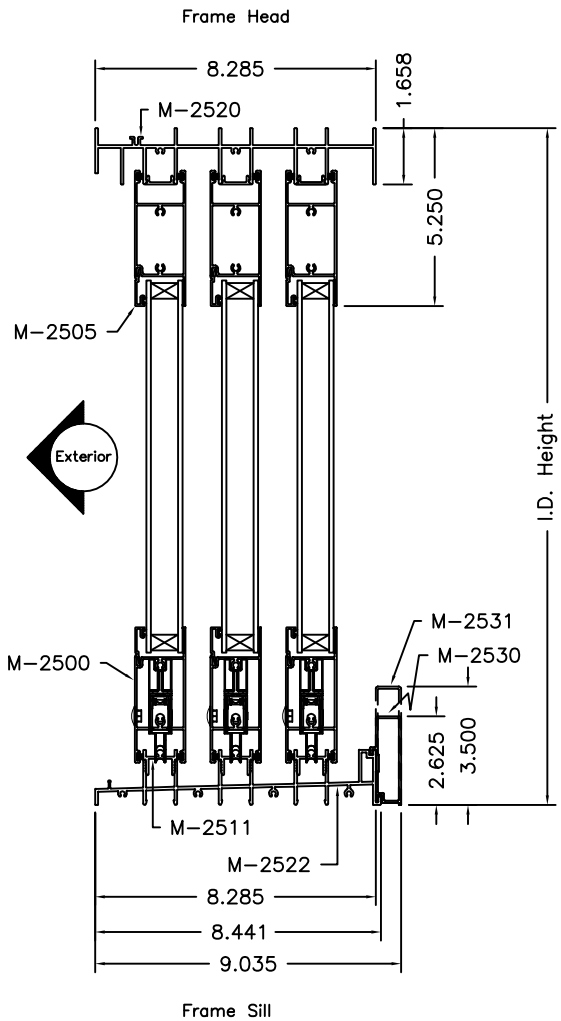
A	110C-16	Removed w-strip from panel interlock stiles	08/10/16	T.C.	
LTR	ECN #	REVISIONS	DATE	BY	

MATERIAL:	
FINISH:	UNSPECIFIED WALL:
AREA:	
WEIGHT:	BREAK ALL CORNERS R.015, UNLESS OTHERWISE SPECIFIED
PERIMETER:	


MIWD MI WINDOWS AND DOORS
 650 WEST MARKET STREET GRATZ, PA 17030-0370

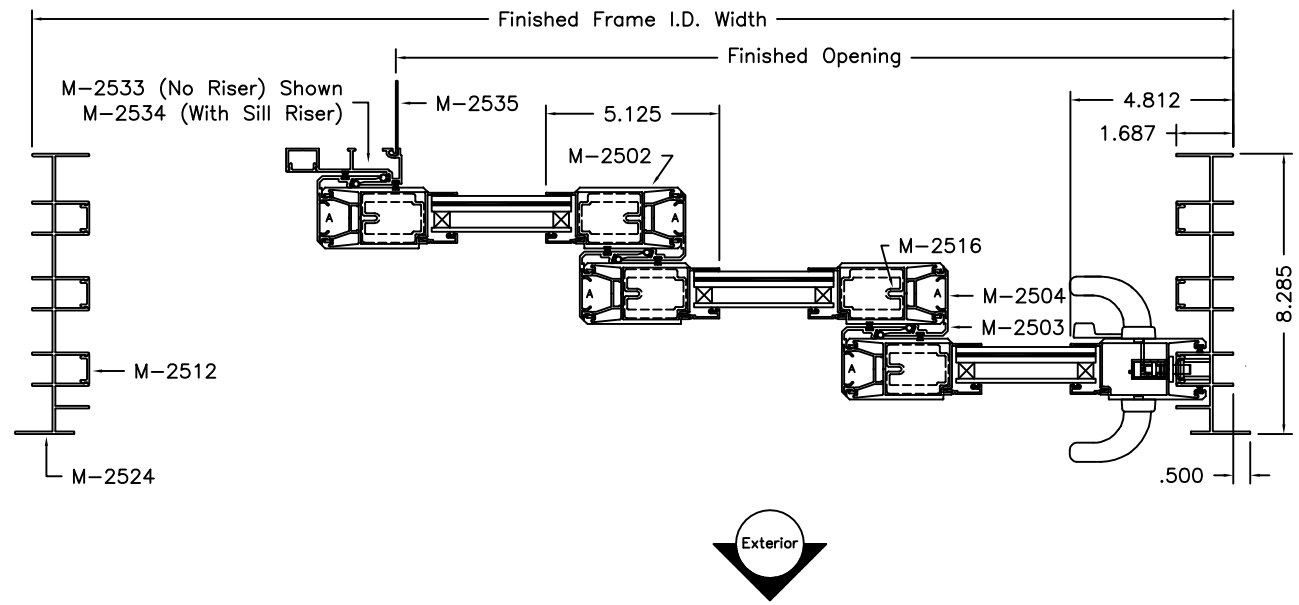
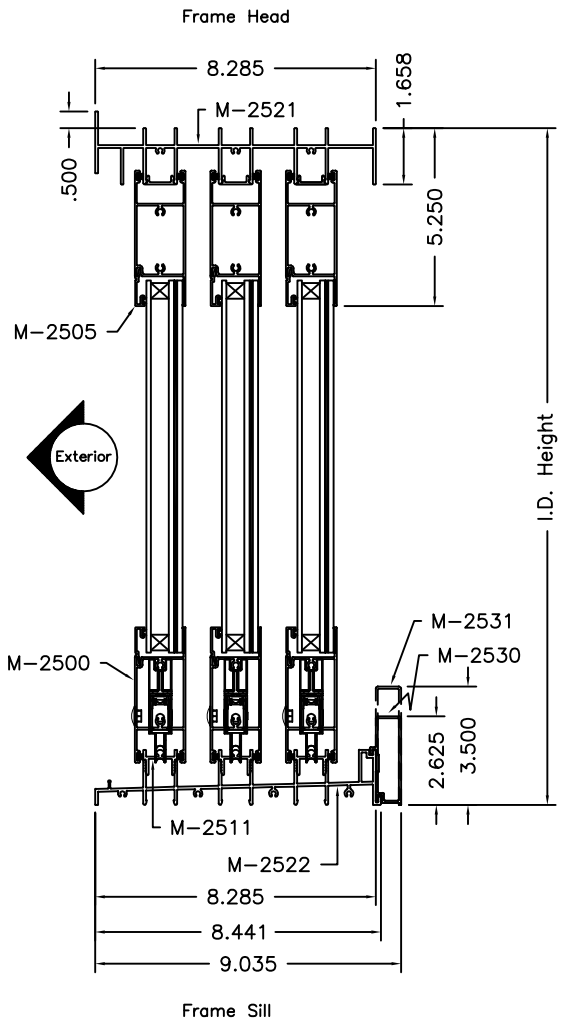
The information, design or data shown on this document or electronic media is the exclusive property of MI Windows and Doors, LLC. It is considered confidential and proprietary and is made available for limited use only. Its use or reproduction without the expressed written consent of MI Windows and Doors, LLC., is prohibited.

DESCRIPTION: Cross Sectional Drawing, IG Impact PIIX or XIIP, Finless, IG Impact	
PRODUCT: 130P	DATE: 07/29/15
SCALE: 1 : 4	PART NUMBER:
DFTM: T.C.	DRAWING NUMBER: CS-000167




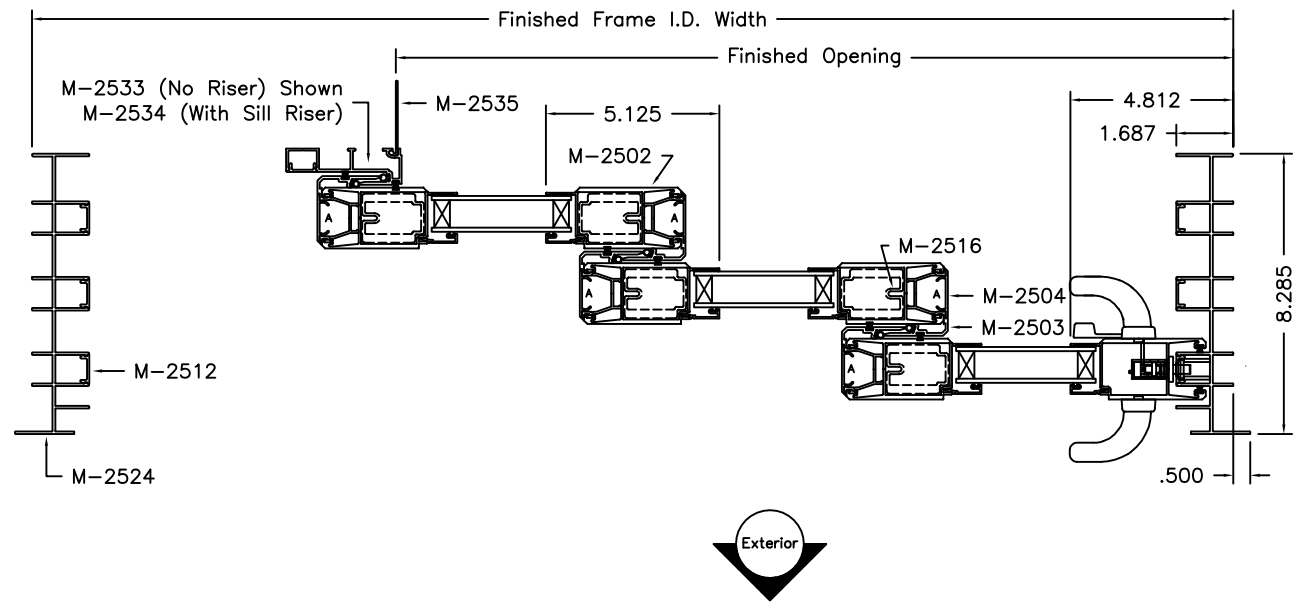
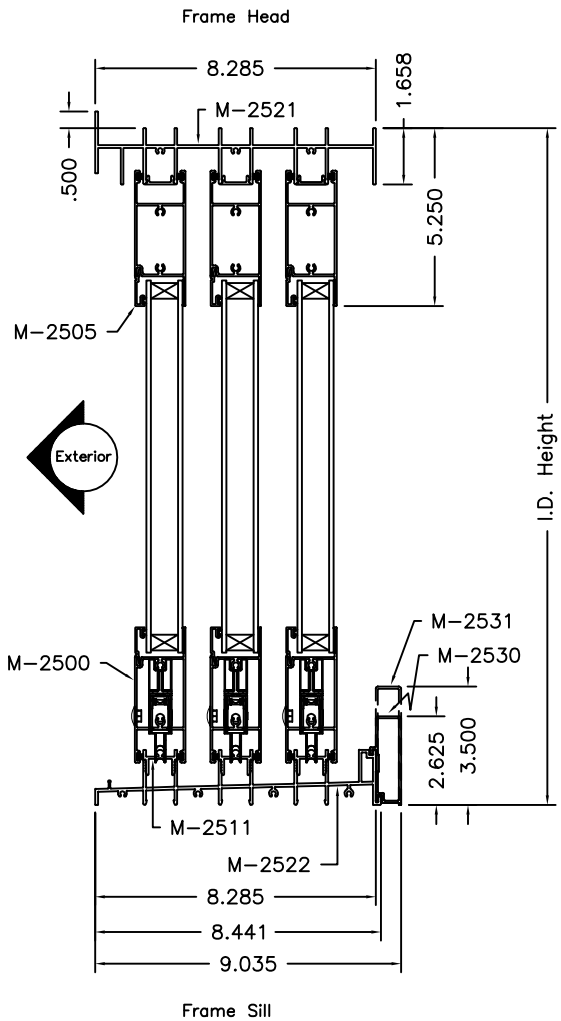
Nominal Size	Door Frame ID Dimension	Rough Opening	Finished Opening
7-6 x 6-8	115 1/2" x 80"	116" x 80 1/2"	84 3/4"
9-0 x 6-8	139 1/2" x 80"	140" x 80 1/2"	102 3/4"
12-0 x 6-8	187 1/2" x 80"	188" x 80 1/2"	138 3/4"
7-6 x 8-0	115 1/2" x 96"	116" x 96 1/2"	84 3/4"
9-0 x 8-0	139 1/2" x 96"	140" x 96 1/2"	102 3/4"
12-0 x 8-0	187 1/2" x 96"	188" x 96 1/2"	138 3/4"

				MATERIAL:		 <small>650 WEST MARKET STREET GRATZ, PA 17030-0370</small>		DESCRIPTION: Cross Sectional Drawing		
				FINISH:				PIIX or XIIP, Finless, IG Non-Impact		
				UNSPECIFIED WALL:				PRODUCT: 130P		
				AREA:				DATE: 07/29/15		
				WEIGHT:		BREAK ALL CORNERS R.015, UNLESS OTHERWISE SPECIFIED		SCALE: 1 : 4		
				PERIMETER:		The information, design or data shown on this document or electronic media is the exclusive property of MI Windows and Doors, LLC. It is considered confidential and proprietary and is made available for limited use only. Its use or reproduction without the expressed written consent of MI Windows and Doors, LLC., is prohibited.		PART NUMBER:		
A	110C-16	Removed w-strip from panel interlock stiles	08/10/16	T.C.			DFTM: T.C.		DRAWING NUMBER: CS-000168	
LTR	ECN #	REVISIONS	DATE	BY						




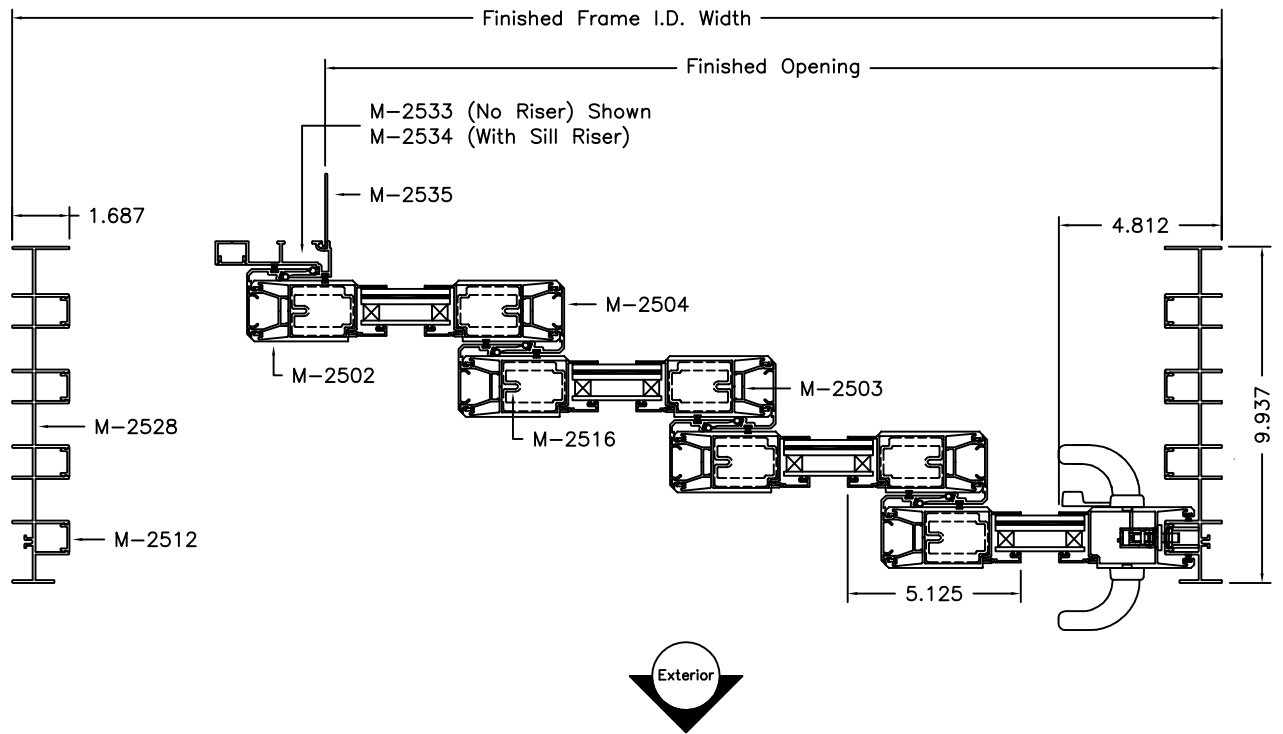
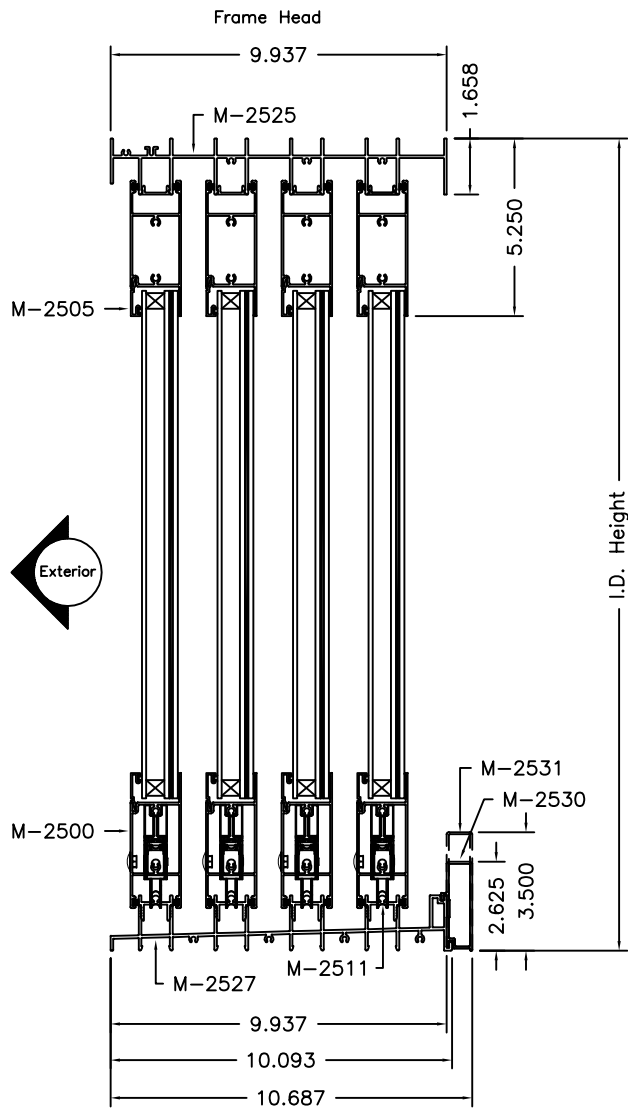
Nominal Size	Door Frame ID Dimension	Rough Opening	Finished Opening
7-6 x 6-8	115 1/2" x 80"	116" x 80 1/2"	84 3/4"
9-0 x 6-8	139 1/2" x 80"	140" x 80 1/2"	102 3/4"
12-0 x 6-8	187 1/2" x 80"	188" x 80 1/2"	138 3/4"
7-6 x 8-0	115 1/2" x 96"	116" x 96 1/2"	84 3/4"
9-0 x 8-0	139 1/2" x 96"	140" x 96 1/2"	102 3/4"
12-0 x 8-0	187 1/2" x 96"	188" x 96 1/2"	138 3/4"

		MATERIAL:		 650 WEST MARKET STREET GRATZ, PA 17030-0370		DESCRIPTION: Cross Sectional Drawing, IG Impact PIIX or XIIP, Flange, IG Impact			
		FINISH:				PRODUCT: 130P		DATE: 07/29/15	
		AREA:				SCALE: 1 : 4		PART NUMBER:	
		WEIGHT:				DFTM: T.C.		DRAWING NUMBER: CS-000170	
		UNSPECIFIED WALL:		The information, design or data shown on this document or electronic media is the exclusive property of MI Windows and Doors, LLC. It is considered confidential and proprietary and is made available for limited use only. Its use or reproduction without the expressed written consent of MI Windows and Doors, LLC., is prohibited.					
		BREAK ALL CORNERS R.015, UNLESS OTHERWISE SPECIFIED							
		PERIMETER:							
A	110C-16	Removed w'strip from panel interlock stiles	08/10/16	T.C.					
LTR	ECN #	REVISIONS	DATE	BY					




Nominal Size	Door Frame ID Dimension	Rough Opening	Finished Opening
7-6 x 6-8	115 1/2" x 80"	116" x 80 1/2"	84 3/4"
9-0 x 6-8	139 1/2" x 80"	140" x 80 1/2"	102 3/4"
12-0 x 6-8	187 1/2" x 80"	188" x 80 1/2"	138 3/4"
7-6 x 8-0	115 1/2" x 96"	116" x 96 1/2"	84 3/4"
9-0 x 8-0	139 1/2" x 96"	140" x 96 1/2"	102 3/4"
12-0 x 8-0	187 1/2" x 96"	188" x 96 1/2"	138 3/4"

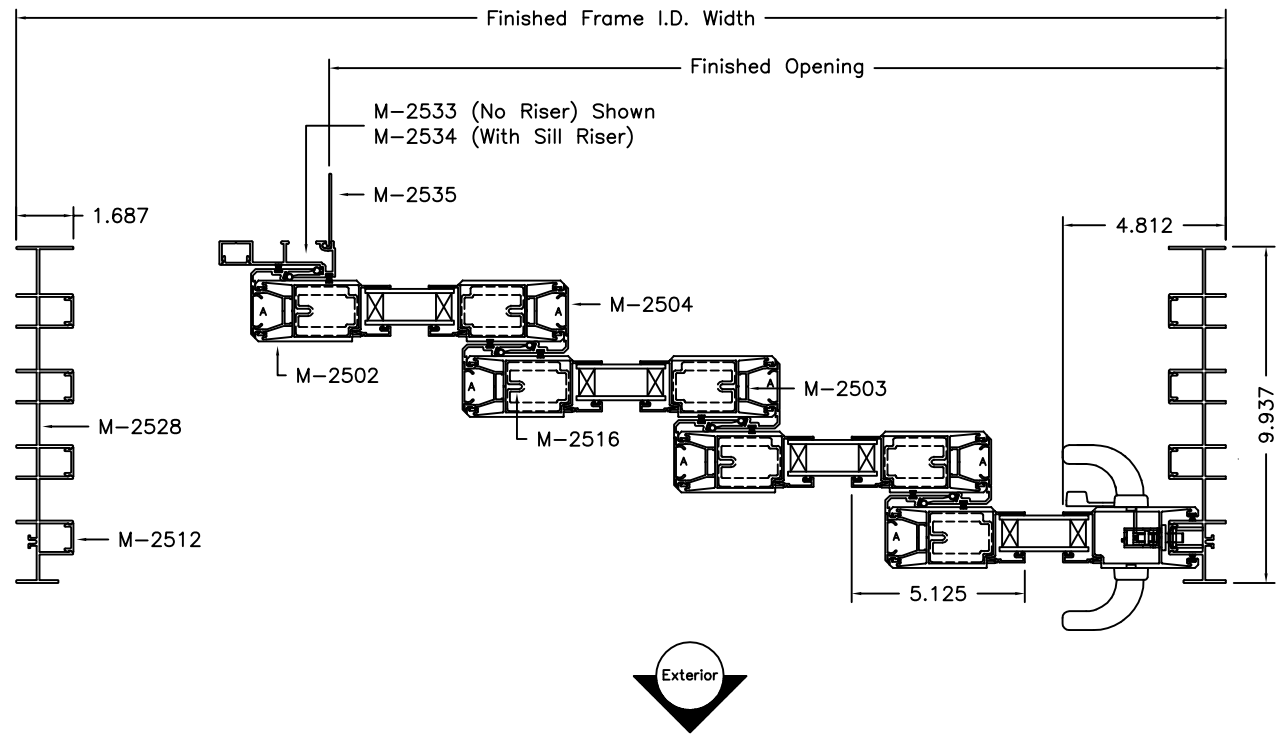
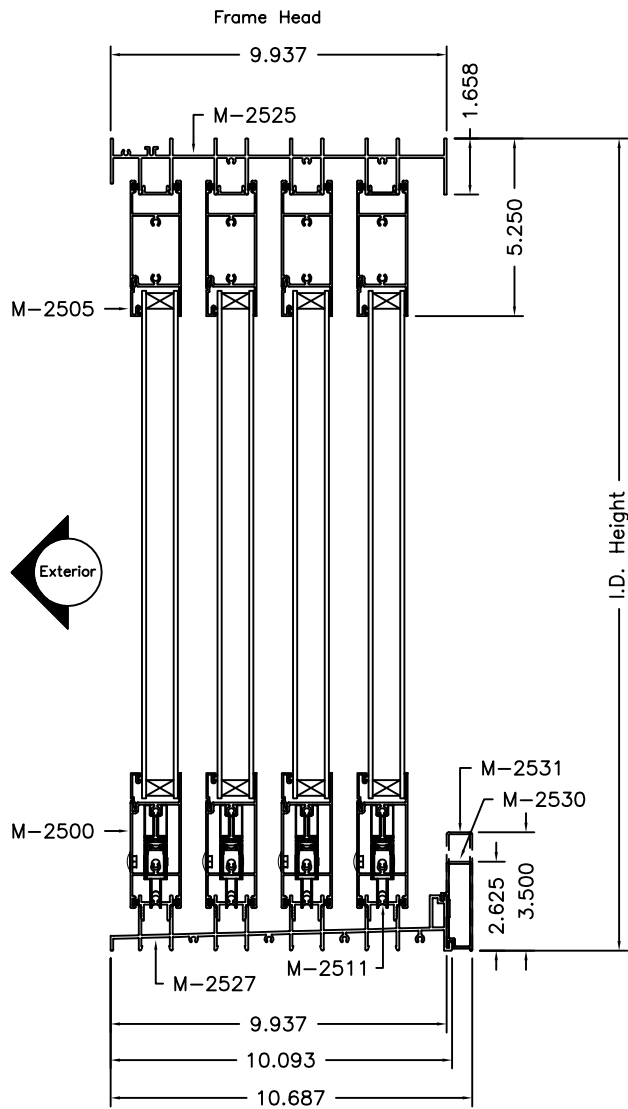
				MATERIAL:		 <small>650 WEST MARKET STREET GRATZ, PA 17030-0370</small>		DESCRIPTION: Cross Sectional Drawing		
				FINISH:				PIIX or XIIP, Flange, IG Non-Impact		
				AREA:				PRODUCT: 130P		DATE: 07/29/15
				WEIGHT:				SCALE: 1 : 4		PART NUMBER:
				PERIMETER:		The information, design or data shown on this document or electronic media is the exclusive property of MI Windows and Doors, LLC. It is considered confidential and proprietary and is made available for limited use only. Its use or reproduction without the expressed written consent of MI Windows and Doors, LLC., is prohibited.		DFTM: T.C.		
A	110C-16	Removed w'strip from panel interlock stile	08/10/16	T.C.	BREAK ALL CORNERS R.015, UNLESS OTHERWISE SPECIFIED		DRAWING NUMBER: CS-000171			
LTR	ECN #	REVISIONS	DATE	BY						




Nominal Size	Door Frame ID Dimension	Rough Opening	Finished Opening
10-0 x 6-8	143 1/4" x 80"	143 3/4" x 80 1/2"	112 1/2"
12-0 x 6-8	173 1/4" x 80"	173 3/4" x 80 1/2"	136 1/2"
16-0 x 6-8	233 1/4" x 80"	233 3/4" x 80 1/2"	184 1/2"
10-0 x 8-0	143 1/4" x 96"	143 3/4" x 96 1/2"	112 1/2"
12-0 x 8-0	173 1/4" x 96"	173 3/4" x 96 1/2"	136 1/2"
16-0 x 8-0	233 1/4" x 96"	233 3/4" x 96 1/2"	184 1/2"

				MATERIAL: Aluminum		 <small>650 WEST MARKET STREET GRATZ, PA 17030-0370</small>		DESCRIPTION: Cross Sectional Drawing		
				FINISH: UNSPECIFIED WALL:				PIIX or XIIP, Finless, IG Impact		
				AREA:				PRODUCT: 140P		DATE: 07/30/15
				WEIGHT:				SCALE: 1 : 4		PART NUMBER:
A	110C-16	Removed w'strip from panel interlock stiles	08/10/16	T.C.	PERIMETER: BREAK ALL CORNERS R.015, UNLESS OTHERWISE SPECIFIED		DFTM: T.C.		DRAWING NUMBER: CS-000175	
LTR	ECN #	REVISIONS	DATE	BY						

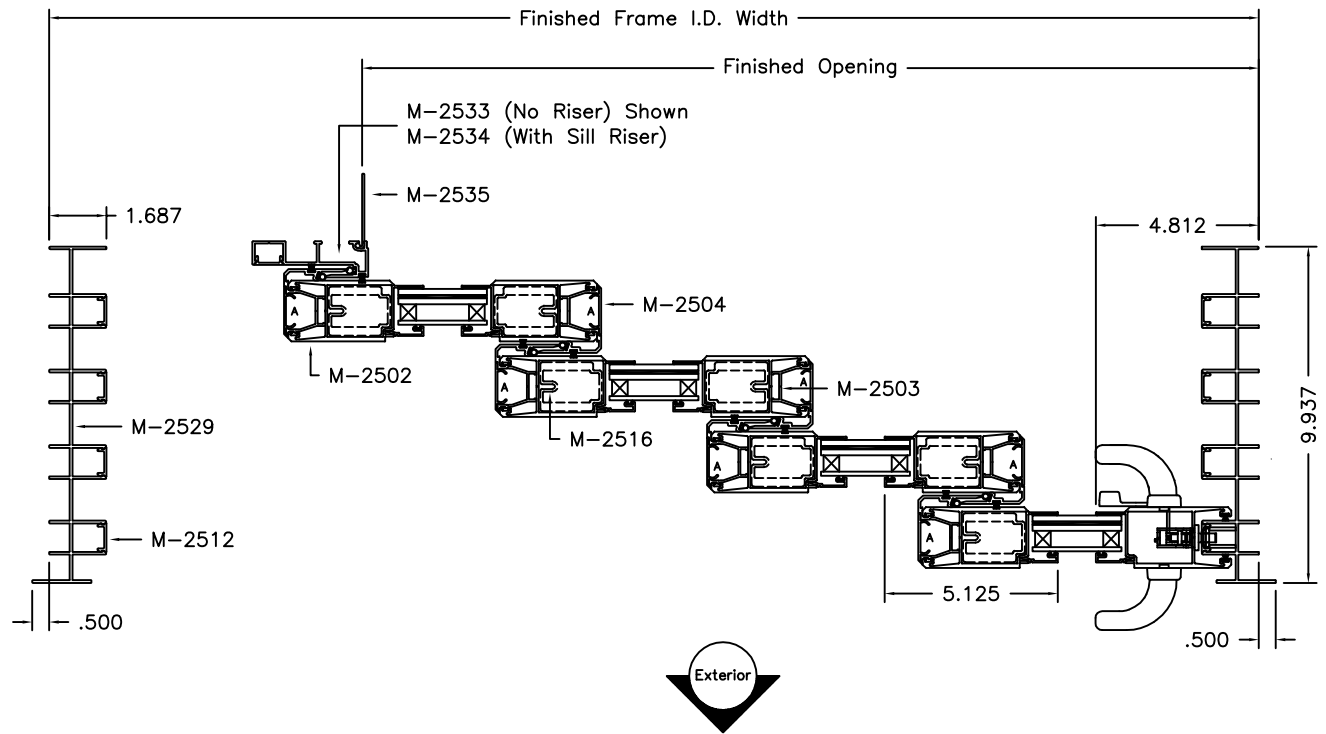
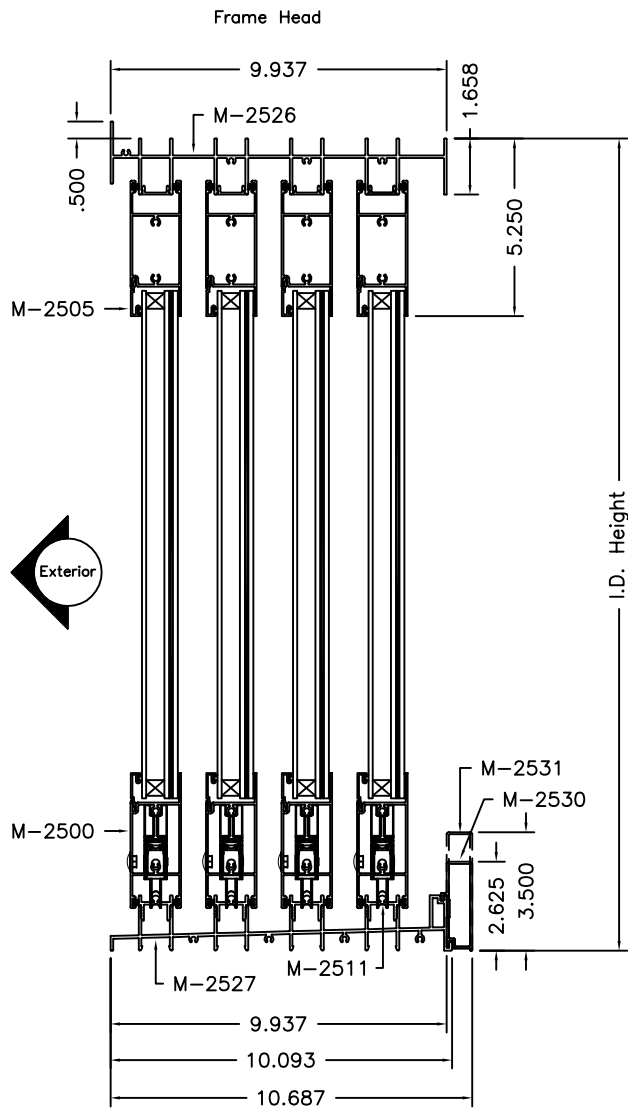
The information, design or data shown on this document or electronic media is the exclusive property of MI Windows and Doors, LLC. It is considered confidential and proprietary and is made available for limited use only. Its use or reproduction without the expressed written consent of MI Windows and Doors, LLC., is prohibited.




Nominal Size	Door Frame ID Dimension	Rough Opening	Finished Opening
10-0 x 6-8	143 1/4" x 80"	143 3/4" x 80 1/2"	112 1/2"
12-0 x 6-8	173 1/4" x 80"	173 3/4" x 80 1/2"	136 1/2"
16-0 x 6-8	233 1/4" x 80"	233 3/4" x 80 1/2"	184 1/2"
10-0 x 8-0	143 1/4" x 96"	143 3/4" x 96 1/2"	112 1/2"
12-0 x 8-0	173 1/4" x 96"	173 3/4" x 96 1/2"	136 1/2"
16-0 x 8-0	233 1/4" x 96"	233 3/4" x 96 1/2"	184 1/2"

				MATERIAL: Aluminum		 <small>650 WEST MARKET STREET GRATZ, PA 17030-0370</small>		DESCRIPTION: Cross Sectional Drawing	
				FINISH: UNSPECIFIED WALL:				PIIX or XIIP, Finless, IG Non-Impact	
				AREA:				PRODUCT: 140P	
				WEIGHT:				DATE: 07/30/15	
				PERIMETER:		SCALE: 1 : 4		PART NUMBER:	
				BREAK ALL CORNERS R.015, UNLESS OTHERWISE SPECIFIED		DFTM: T.C.		DRAWING NUMBER: CS-000176	
A	110C-16	Removed w'strip from panel interlock stiles	08/11/16	T.C.					
LTR	ECN #	REVISIONS	DATE	BY					

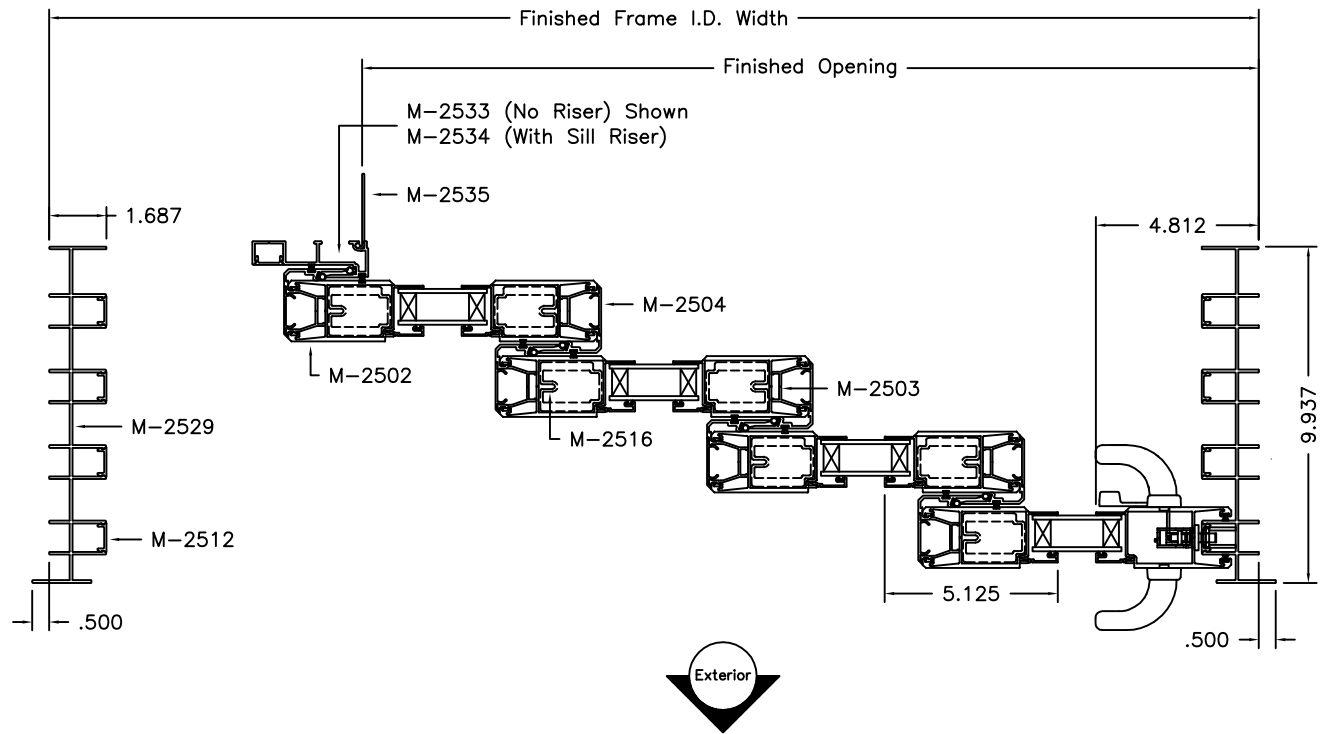
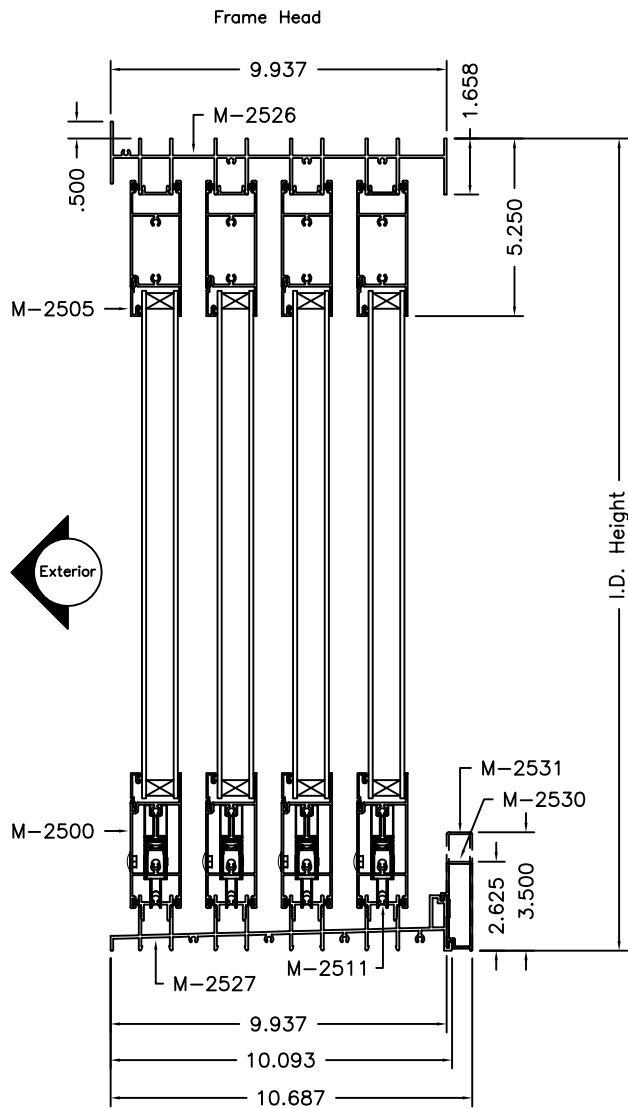
The information, design or data shown on this document or electronic media is the exclusive property of MI Windows and Doors, LLC. It is considered confidential and proprietary and is made available for limited use only. Its use or reproduction without the expressed written consent of MI Windows and Doors, LLC., is prohibited.




Nominal Size	Door Frame ID Dimension	Rough Opening	Finished Opening
10-0 x 6-8	143 1/4" x 80"	143 3/4" x 80 1/2"	112 1/2"
12-0 x 6-8	173 1/4" x 80"	173 3/4" x 80 1/2"	136 1/2"
16-0 x 6-8	233 1/4" x 80"	233 3/4" x 80 1/2"	184 1/2"
10-0 x 8-0	143 1/4" x 96"	143 3/4" x 96 1/2"	112 1/2"
12-0 x 8-0	173 1/4" x 96"	173 3/4" x 96 1/2"	136 1/2"
16-0 x 8-0	233 1/4" x 96"	233 3/4" x 96 1/2"	184 1/2"

			MATERIAL: Aluminum		 650 WEST MARKET STREET GRATZ, PA 17030-0370		DESCRIPTION: Cross Sectional Drawing		
			FINISH: UNSPECIFIED WALL:				PIIX or XIIP, Flange, IG Impact		
			AREA:				PRODUCT: 140P		DATE: 07/30/15
			WEIGHT:				SCALE: 1 : 4	PART NUMBER:	
A 110C-16			Removed w'strip from panel interlock stiles	08/11/16	T.C.	DFTM: T.C.		DRAWING NUMBER: CS-000178	
LTR	ECN #	REVISIONS		DATE	BY	PERIMETER:			

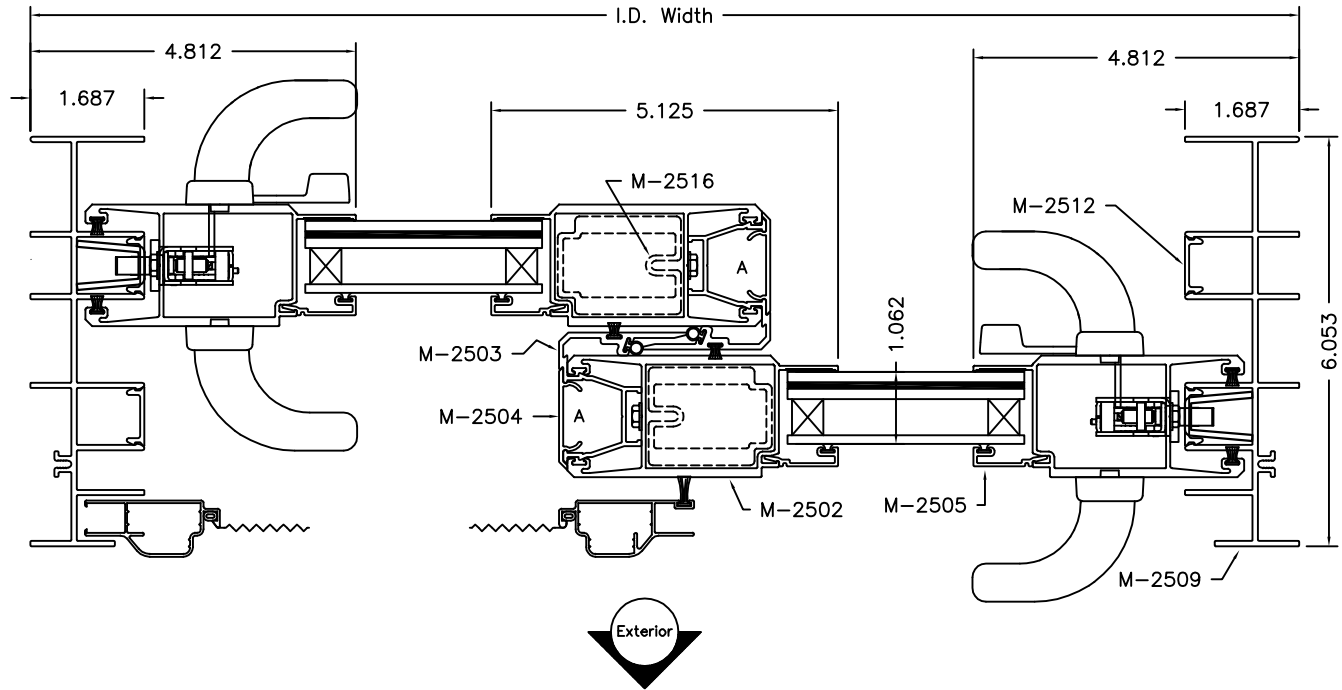
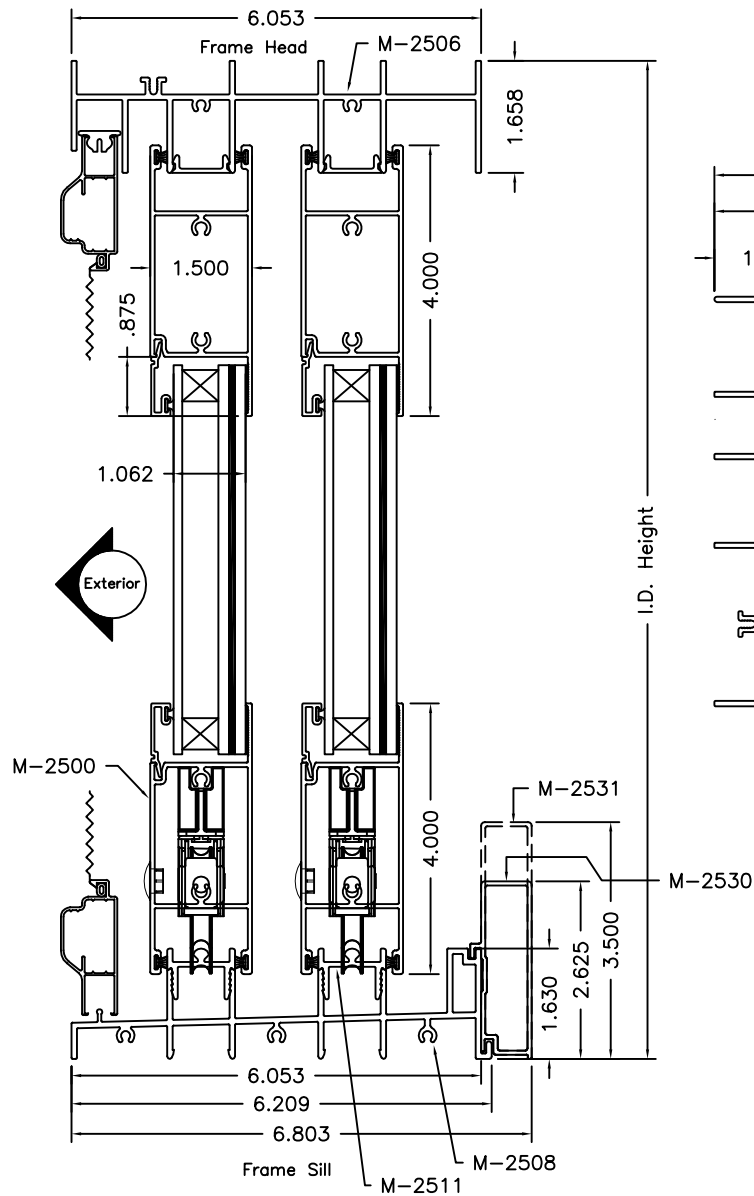
The information, design or data shown on this document or electronic media is the exclusive property of MI Windows and Doors, LLC. It is considered confidential and proprietary and is made available for limited use only. Its use or reproduction without the expressed written consent of MI Windows and Doors, LLC., is prohibited.



Nominal Size	Door Frame ID Dimension	Rough Opening	Finished Opening
10-0 x 6-8	143 1/4" x 80"	143 3/4" x 80 1/2"	112 1/2"
12-0 x 6-8	173 1/4" x 80"	173 3/4" x 80 1/2"	136 1/2"
16-0 x 6-8	233 1/4" x 80"	233 3/4" x 80 1/2"	184 1/2"
10-0 x 8-0	143 1/4" x 96"	143 3/4" x 96 1/2"	112 1/2"
12-0 x 8-0	173 1/4" x 96"	173 3/4" x 96 1/2"	136 1/2"
16-0 x 8-0	233 1/4" x 96"	233 3/4" x 96 1/2"	184 1/2"

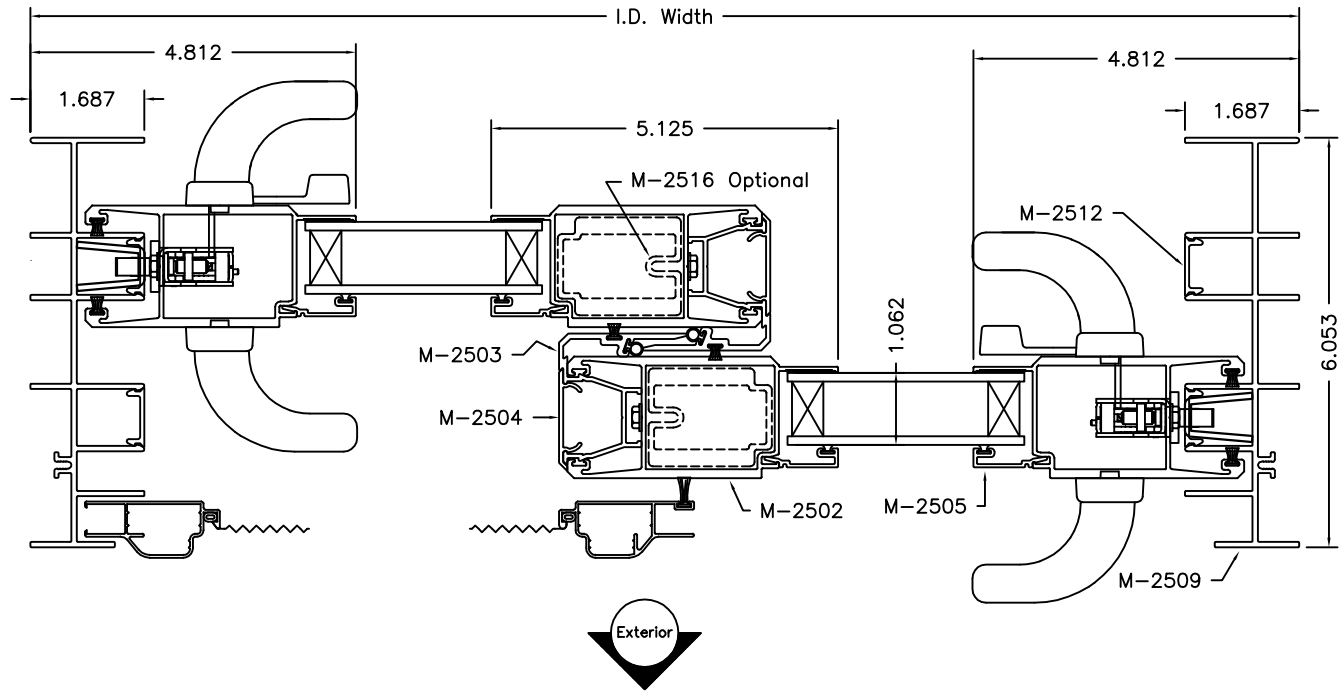
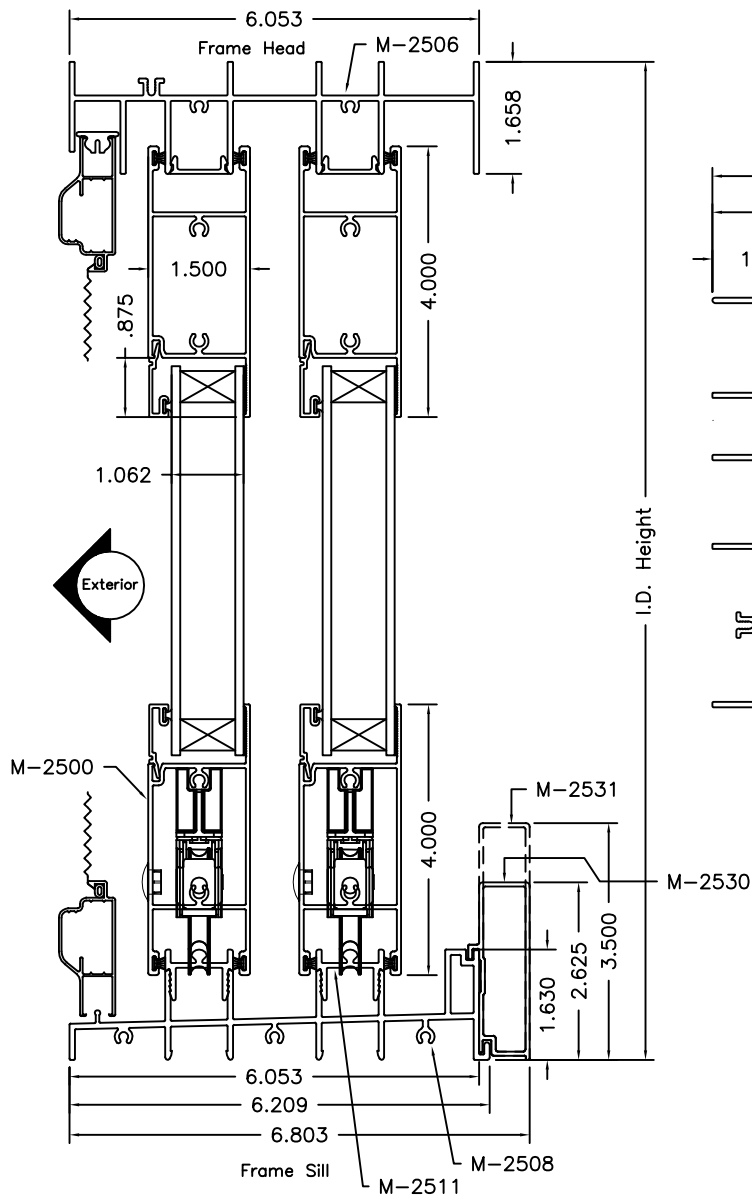
				MATERIAL: Aluminum		 <small>650 WEST MARKET STREET GRATZ, PA 17030-0370</small>		DESCRIPTION: Cross Sectional Drawing		
				FINISH: UNSPECIFIED WALL:				PIIIX or XIIP, Flange, IG Non-Impact		
				AREA:				PRODUCT: 140P		DATE: 07/30/15
				WEIGHT:				SCALE: 1 : 4		PART NUMBER:
A	110C-16	Removed w'strip from panel interlock stiles	08/11/16	T.C.	PERIMETER: BREAK ALL CORNERS R.015, UNLESS OTHERWISE SPECIFIED		DFTM: T.C.		DRAWING NUMBER: CS-000179	
LTR	ECN #	REVISIONS	DATE	BY						

The information, design or data shown on this document or electronic media is the exclusive property of MI Windows and Doors, LLC. It is considered confidential and proprietary and is made available for limited use only. Its use or reproduction without the expressed written consent of MI Windows and Doors, LLC., is prohibited.




Call Size	I.D. Size	Rough Opening
5-0 x 6-8	60" x 80"	60 1/2" x 80 1/2"
6-0 x 6-8	72" x 80"	72 1/2" x 80 1/2"
8-0 x 6-8	96" x 80"	96 1/2" x 80 1/2"
5-0 x 8-0	60" x 96"	60 1/2" x 96 1/2"
5-0 x 8-0	72" x 96"	72 1/2" x 96 1/2"
5-0 x 8-0	96" x 96"	96 1/2" x 96 1/2"

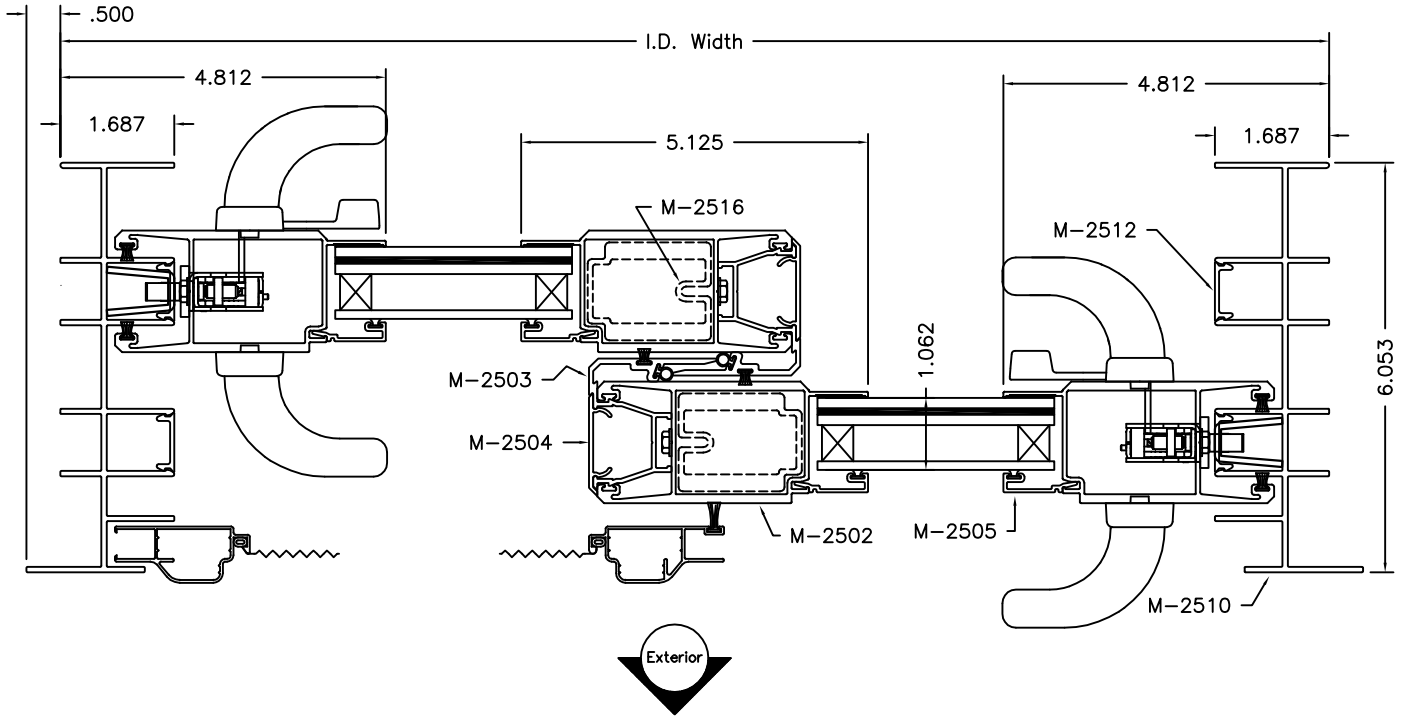
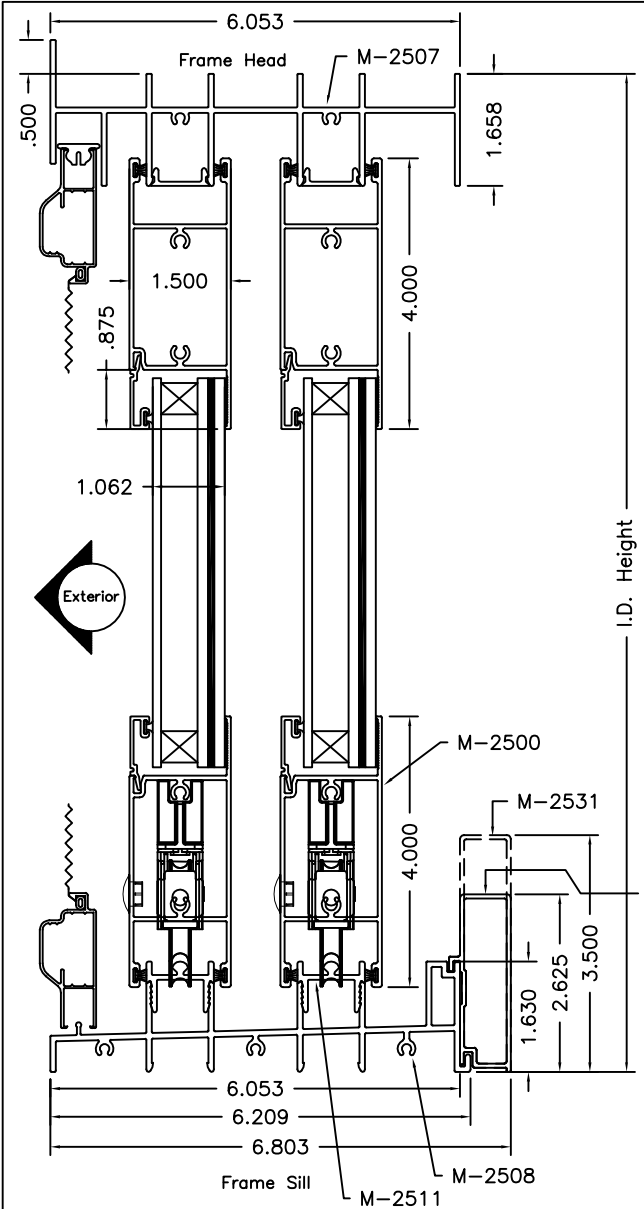
				MATERIAL: FINISH: UNSPECIFIED WALL: AREA: WEIGHT: BREAK ALL CORNERS R.015, UNLESS OTHERWISE SPECIFIED PERIMETER:		MIWD MI WINDOWS AND DOORS 650 WEST MARKET STREET GRATZ, PA 17030-0370 The information, design or data shown on this document or electronic media is the exclusive property of MI Windows and Doors, LLC. It is considered confidential and proprietary and is made available for limited use only. Its use or reproduction without the expressed written consent of MI Windows and Doors, LLC., is prohibited.		DESCRIPTION: Cross Sectional Drawing, IG Impact 2-Track XX PRODUCT: Series 120 S.G.D. DATE: 07/31/15 SCALE: Half PART NUMBER: DFTM: T.C. DRAWING NUMBER: CS-000181	
A	110C-16	Removed w-strip from panel interlock stiles	08/10/16	T.C.					
-	110B-16	Initial release of sectional drawing	07/22/16	T.C.					
LTR	ECN #	REVISIONS	DATE	BY					



Call Size	I.D. Size	Rough Opening
5-0 x 6-8	60" x 80"	60 1/2" x 80 1/2"
6-0 x 6-8	72" x 80"	72 1/2" x 80 1/2"
8-0 x 6-8	96" x 80"	96 1/2" x 80 1/2"
5-0 x 8-0	60" x 96"	60 1/2" x 96 1/2"
5-0 x 8-0	72" x 96"	72 1/2" x 96 1/2"
5-0 x 8-0	96" x 96"	96 1/2" x 96 1/2"

				MATERIAL: FINISH: AREA: WEIGHT: PERIMETER:		 <p>650 WEST MARKET STREET GRATZ, PA 17030-0370</p> <p>The information, design or data shown on this document or electronic media is the exclusive property of MI Windows and Doors, LLC. It is considered confidential and proprietary and is made available for limited use only. Its use or reproduction without the expressed written consent of MI Windows and Doors, LLC., is prohibited.</p>	DESCRIPTION: Cross Sectional Drawing, IG Non-Impact 2-Track XX	
				UNSPECIFIED WALL: BREAK ALL CORNERS R.015, UNLESS OTHERWISE SPECIFIED			PRODUCT: Series 120 S.G.D.	
							DATE: 07/31/15	
							SCALE: Half	
						PART NUMBER:		
						DFTM: T.C.		
						DRAWING NUMBER: CS-000182		

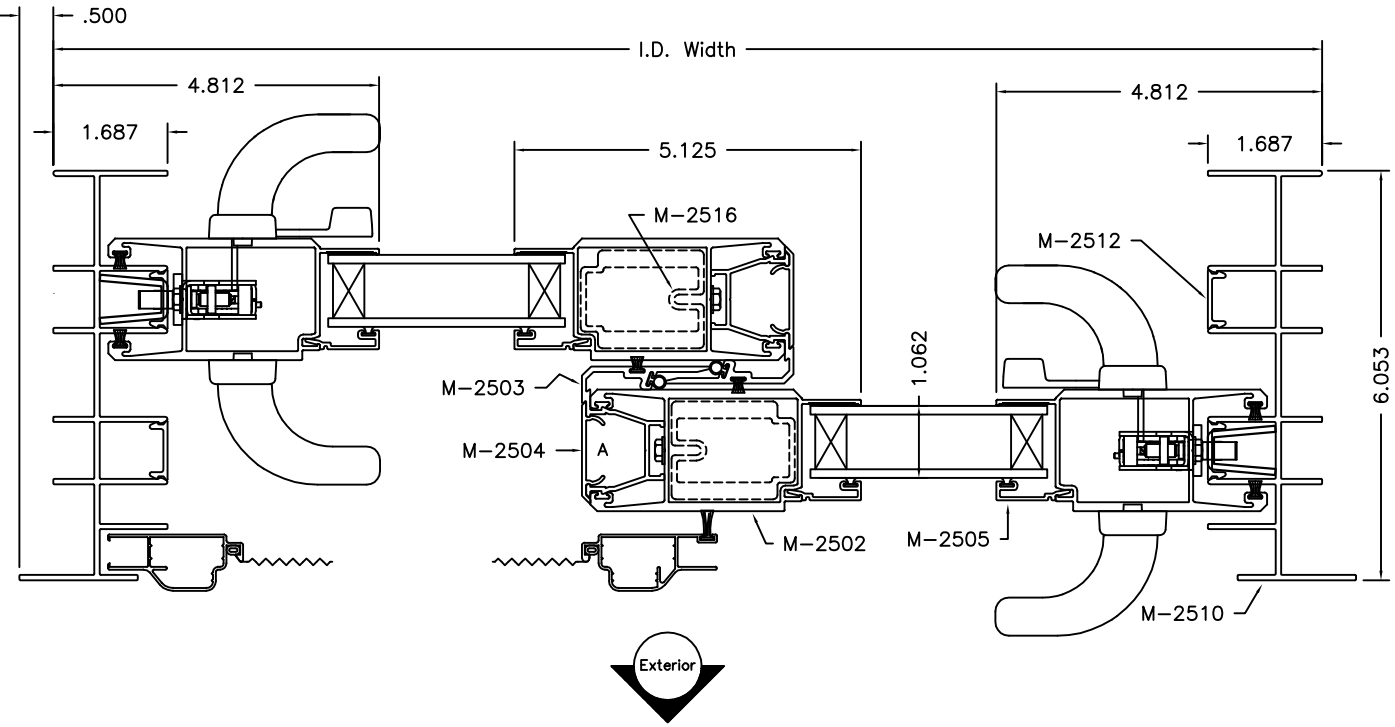
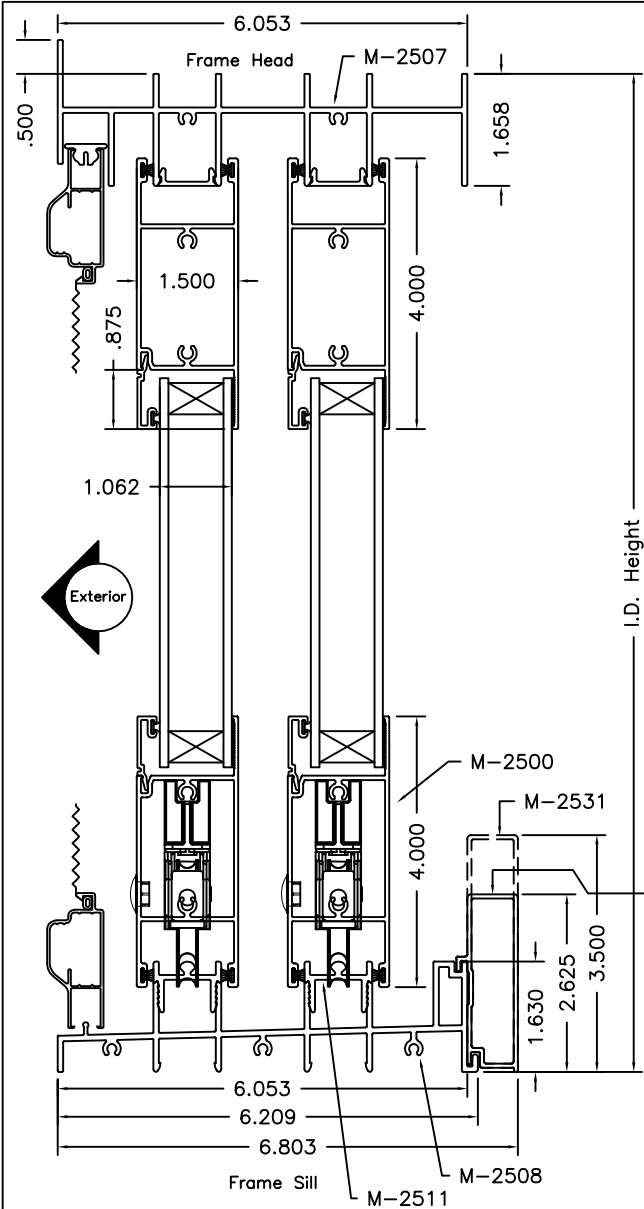
LTR	ECN #	REVISIONS	DATE	BY
A	110C-16	Removed w-strip from panel interlock stiles	08/10/16	T.C.
-	110B-16	Initial release of sectional drawing	07/22/16	T.C.



Call Size	I.D. Size	Rough Opening
5-0 x 6-8	60" x 80"	60 1/2" x 80 1/2"
6-0 x 6-8	72" x 80"	72 1/2" x 80 1/2"
8-0 x 6-8	96" x 80"	96 1/2" x 80 1/2"
5-0 x 8-0	60" x 96"	60 1/2" x 96 1/2"
5-0 x 8-0	72" x 96"	72 1/2" x 96 1/2"
5-0 x 8-0	96" x 96"	96 1/2" x 96 1/2"

				MATERIAL: FINISH: UNSPECIFIED WALL: AREA: WEIGHT: BREAK ALL CORNERS R.015, UNLESS OTHERWISE SPECIFIED PERIMETER:		MIWD MI WINDOWS AND DOORS <small>650 WEST MARKET STREET GRATZ, PA 17030-0370</small>		DESCRIPTION: Cross Sectional Drawing, IG Impact 2-Track XX - Flange	
A	110C-16	Removed w-strip from panel interlock stiles	08/10/16	T.C.	PRODUCT: Series 120 S.G.D.				DATE: 07/31/2015
-	110B-16	Initial release of sectional drawing	07/22/16	T.C.	SCALE: Half				PART NUMBER:
LTR	ECN #	REVISIONS	DATE	BY	DFTM: T.C.				DRAWING NUMBER: CS-000184

The information, design or data shown on this document or electronic media is the exclusive property of MI Windows and Doors, LLC. It is considered confidential and proprietary and is made available for limited use only. Its use or reproduction without the expressed written consent of MI Windows and Doors, LLC., is prohibited.



Call Size	I.D. Size	Rough Opening
5-0 x 6-8	60" x 80"	60 1/2" x 80 1/2"
6-0 x 6-8	72" x 80"	72 1/2" x 80 1/2"
8-0 x 6-8	96" x 80"	96 1/2" x 80 1/2"
5-0 x 8-0	60" x 96"	60 1/2" x 96 1/2"
5-0 x 8-0	72" x 96"	72 1/2" x 96 1/2"
5-0 x 8-0	96" x 96"	96 1/2" x 96 1/2"

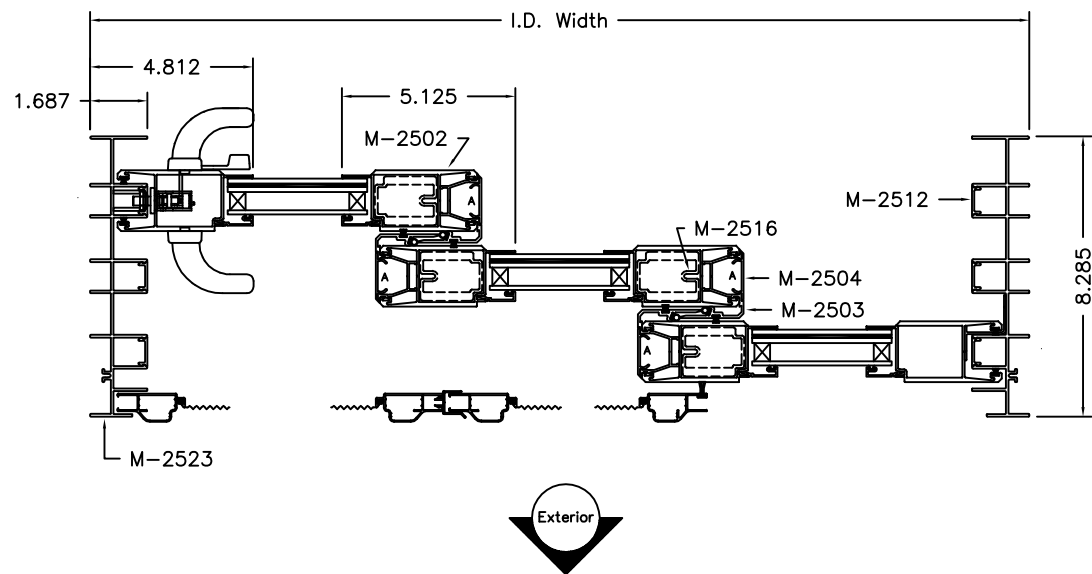
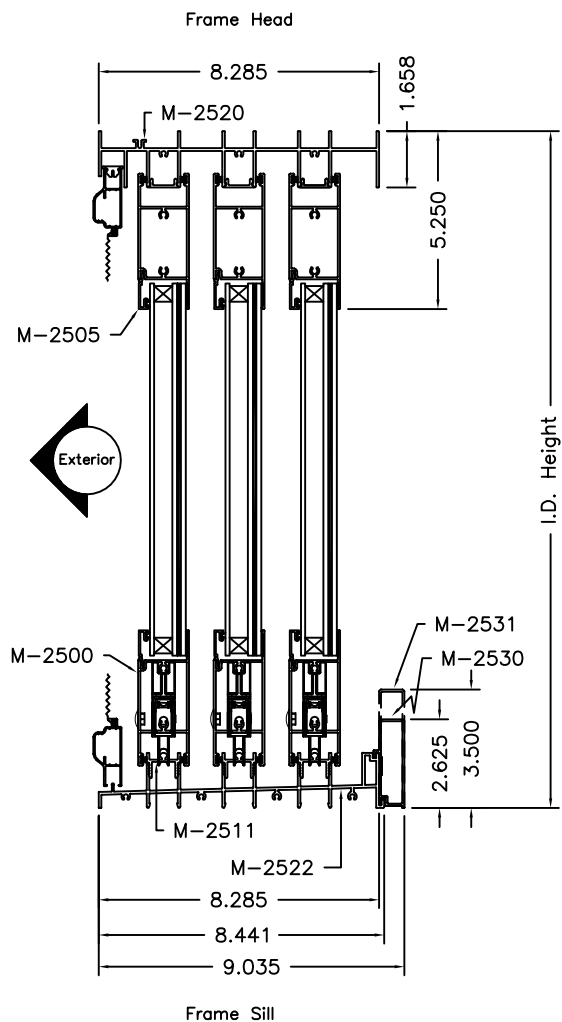
LTR	ECN #	REVISIONS	DATE	BY
A	110C-16	Removed w-strip from panel interlock stiles	08/10/16	T.C.
-	110B-16	Initial release of sectional drawing	07/22/16	T.C.

MATERIAL:	UNSPECIFIED WALL:
FINISH:	
AREA:	
WEIGHT:	
PERIMETER:	

MIWD MI WINDOWS AND DOORS
 650 WEST MARKET STREET GRATZ, PA 17030-0370

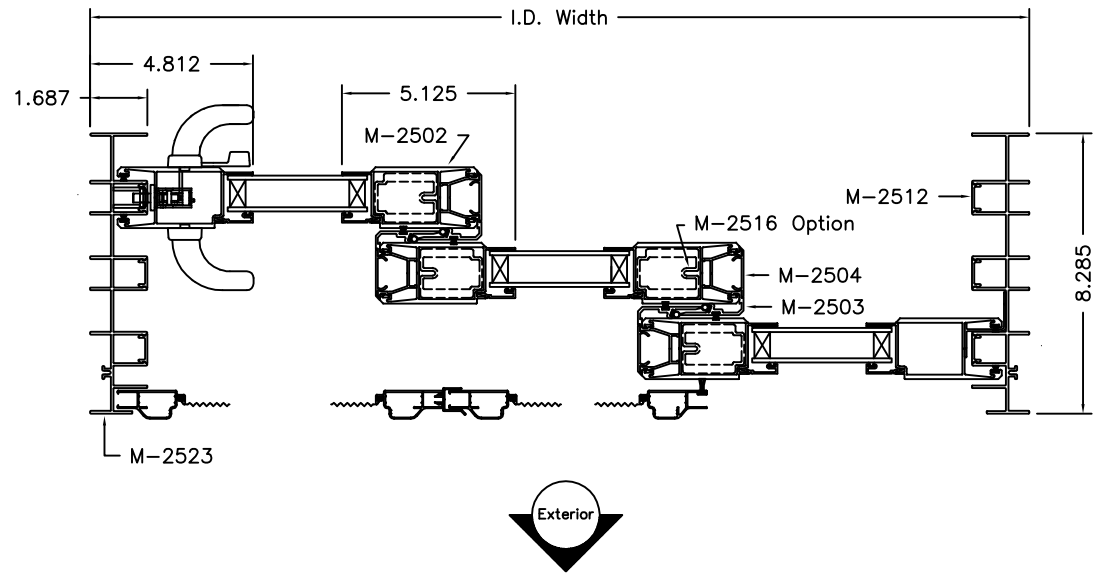
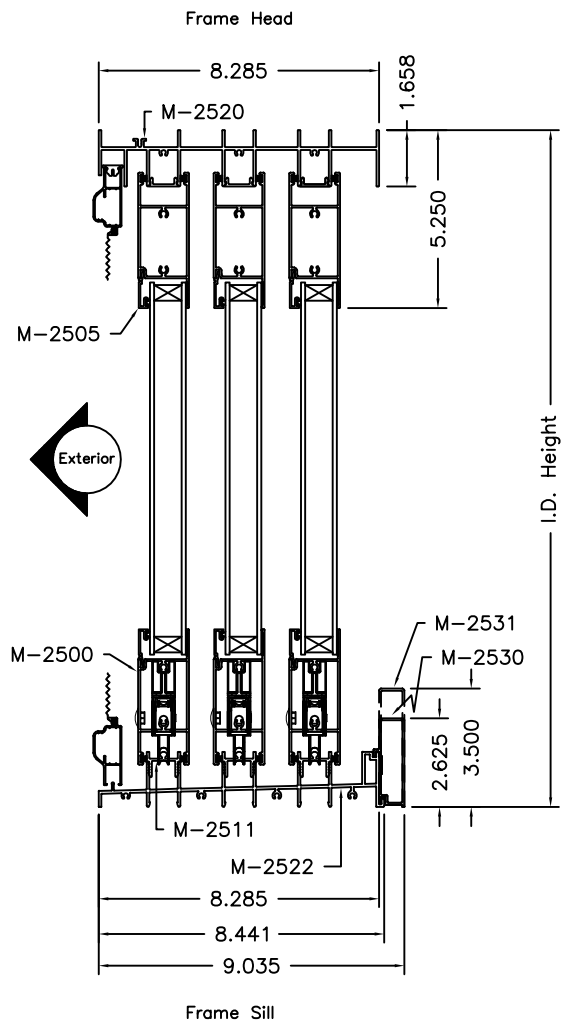
The information, design or data shown on this document or electronic media is the exclusive property of MI Windows and Doors, LLC. It is considered confidential and proprietary and is made available for limited use only. Its use or reproduction without the expressed written consent of MI Windows and Doors, LLC., is prohibited.

DESCRIPTION: Cross Sectional Drawing, IG Non-Impact 2-Track XX - Flange	
PRODUCT: Series 120 S.G.D.	DATE: 07/31/15
SCALE: Half	PART NUMBER:
DFTM: T.C.	DRAWING NUMBER: CS-000185




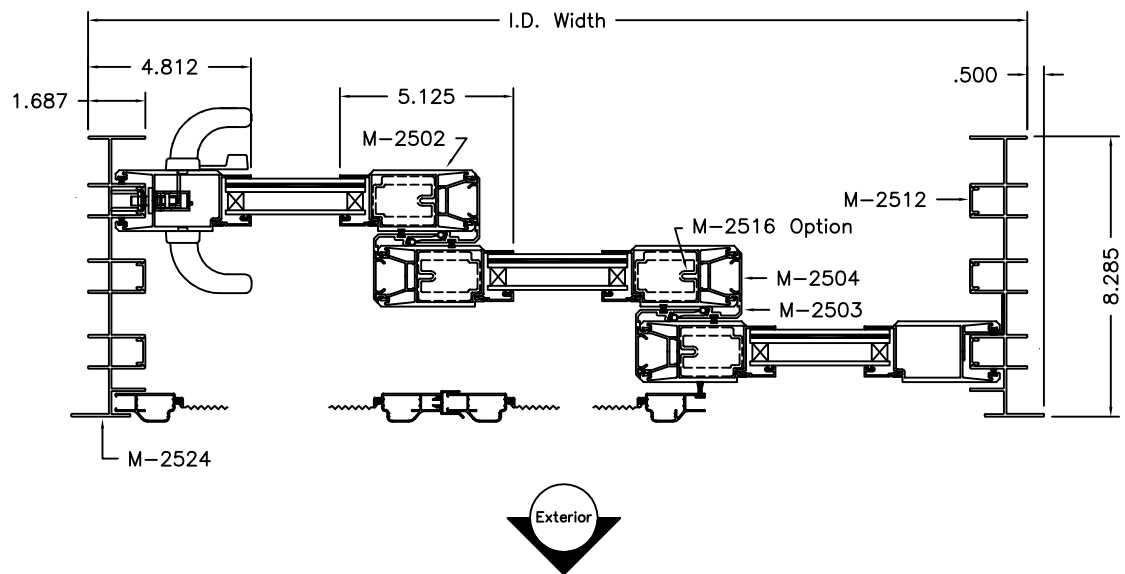
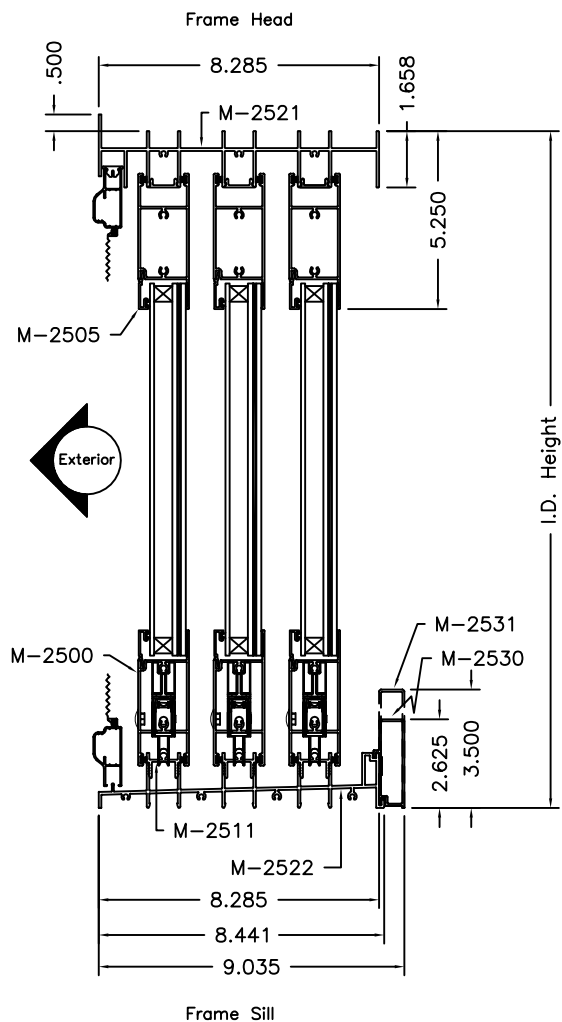
Call Size	I.D. Size	Rough Opening
7-6 x 6-8	87 3/4" x 80"	88 1/4" x 80 1/2"
9-0 x 6-8	105 3/4" x 80"	106 1/4" x 80 1/2"
12-0 x 6-8	141 3/4" x 80"	142 1/4" x 80 1/2"
7-6 x 8-0	87 3/4" x 96"	88 1/4" x 96 1/2"
9-0 x 8-0	105 3/4" x 96"	106 1/4" x 96 1/2"
12-0 x 8-0	141 3/4" x 96"	142 1/4" x 96 1/2"

				MATERIAL: FINISH: UNSPECIFIED WALL: AREA: WEIGHT: BREAK ALL CORNERS R.015, UNLESS OTHERWISE SPECIFIED PERIMETER:		MIWD MI WINDOWS AND DOORS 650 WEST MARKET STREET GRATZ, PA 17030-0370 The information, design or data shown on this document or electronic media is the exclusive property of MI Windows and Doors, LLC. It is considered confidential and proprietary and is made available for limited use only. Its use or reproduction without the expressed written consent of MI Windows and Doors, LLC., is prohibited.		DESCRIPTION: Cross Sectional Drawing, IG Impact 3-Track, XIO PRODUCT: 130 DATE: 12/06/16 SCALE: 1 : 4 PART NUMBER: DFTM: T.C. DRAWING NUMBER: CS-000506	
LTR	ECN #	REVISIONS	DATE	BY					



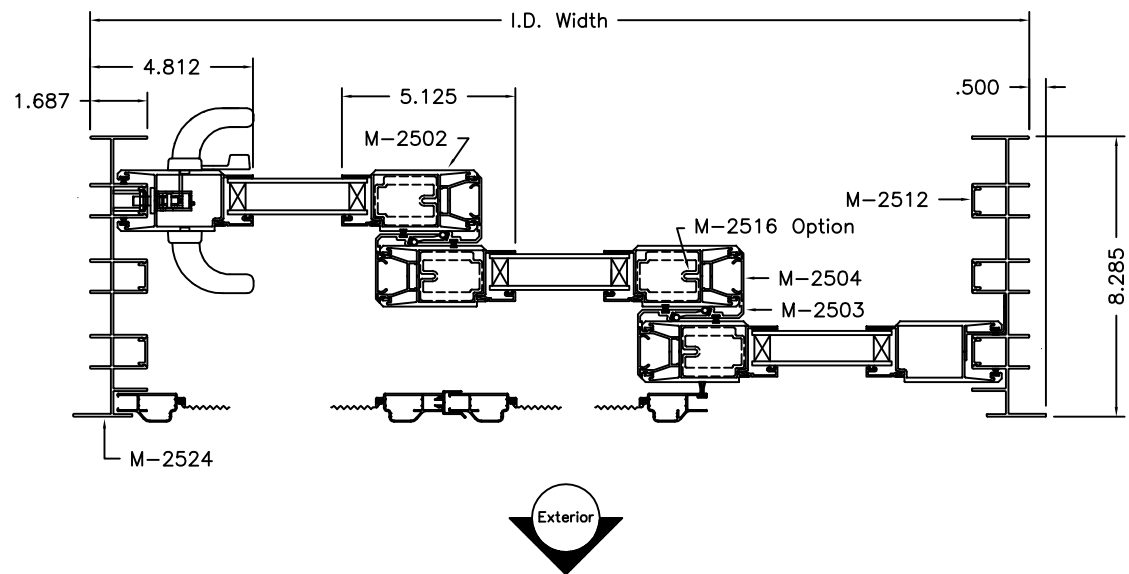
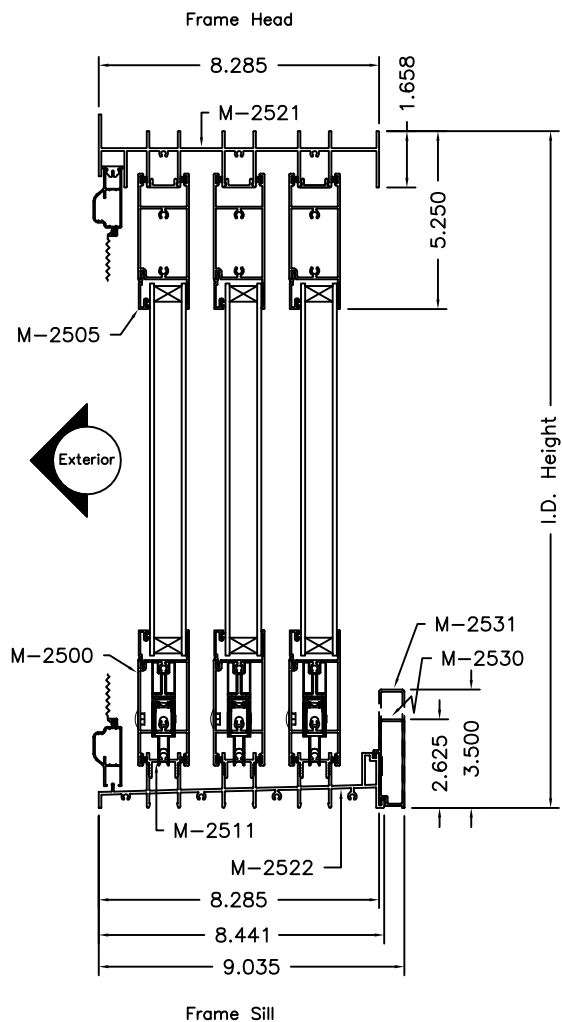
Call Size	I.D. Size	Rough Opening
7-6 x 6-8	87 3/4" x 80"	88 1/4" x 80 1/2"
9-0 x 6-8	105 3/4" x 80"	106 1/4" x 80 1/2"
12-0 x 6-8	141 3/4" x 80"	142 1/4" x 80 1/2"
7-6 x 8-0	87 3/4" x 96"	88 1/4" x 96 1/2"
9-0 x 8-0	105 3/4" x 96"	106 1/4" x 96 1/2"
12-0 x 8-0	141 3/4" x 96"	142 1/4" x 96 1/2"

		MATERIAL:		 <p>650 WEST MARKET STREET GRATZ, PA 17030-0370</p> <p>The information, design or data shown on this document or electronic media is the exclusive property of MI Windows and Doors, LLC. It is considered confidential and proprietary and is made available for limited use only. Its use or reproduction without the expressed written consent of MI Windows and Doors, LLC., is prohibited.</p>	DESCRIPTION: Cross Sectional Drawing, IG Non-Impact 3-Track, XIO	
		FINISH:	UNSPECIFIED WALL:		PRODUCT: 130	
		AREA:	BREAK ALL CORNERS R.015, UNLESS OTHERWISE SPECIFIED		DATE: 12/06/16	
		WEIGHT:			SCALE: 1 : 4	
		PERIMETER:			PART NUMBER:	
LTR	ECN #	REVISIONS	DATE	BY	DFTM: T.C.	DRAWING NUMBER: CS-000507




Call Size	I.D. Size	Rough Opening
7-6 x 6-8	87 3/4" x 80"	88 1/4" x 80 1/2"
9-0 x 6-8	105 3/4" x 80"	106 1/4" x 80 1/2"
12-0 x 6-8	141 3/4" x 80"	142 1/4" x 80 1/2"
7-6 x 8-0	87 3/4" x 96"	88 1/4" x 96 1/2"
9-0 x 8-0	105 3/4" x 96"	106 1/4" x 96 1/2"
12-0 x 8-0	141 3/4" x 96"	142 1/4" x 96 1/2"

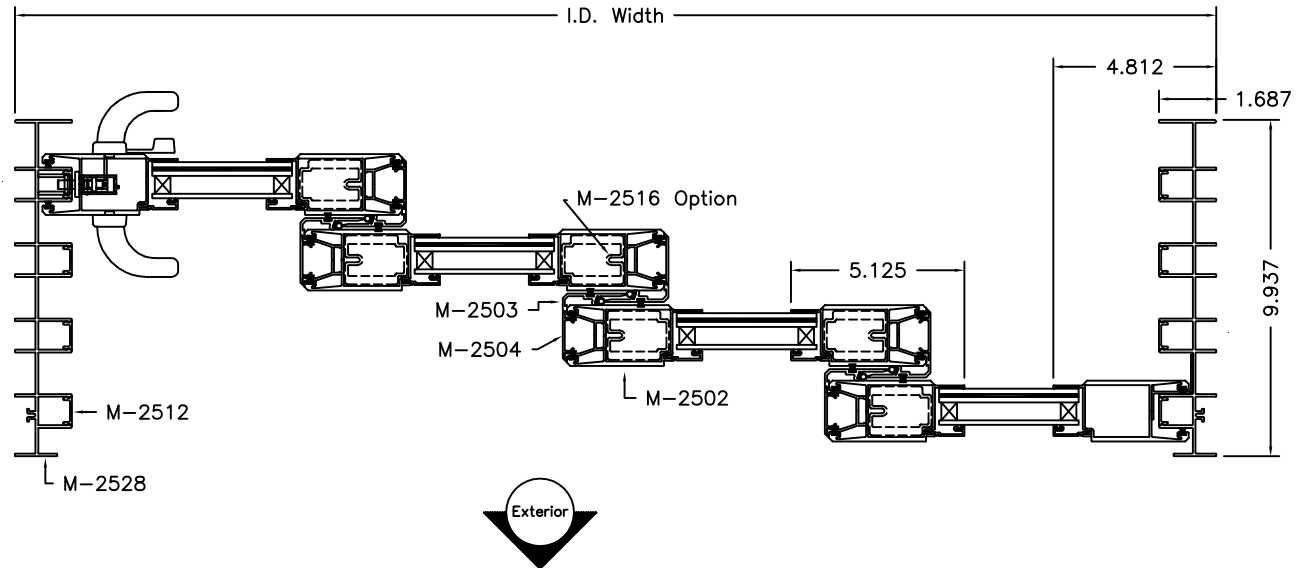
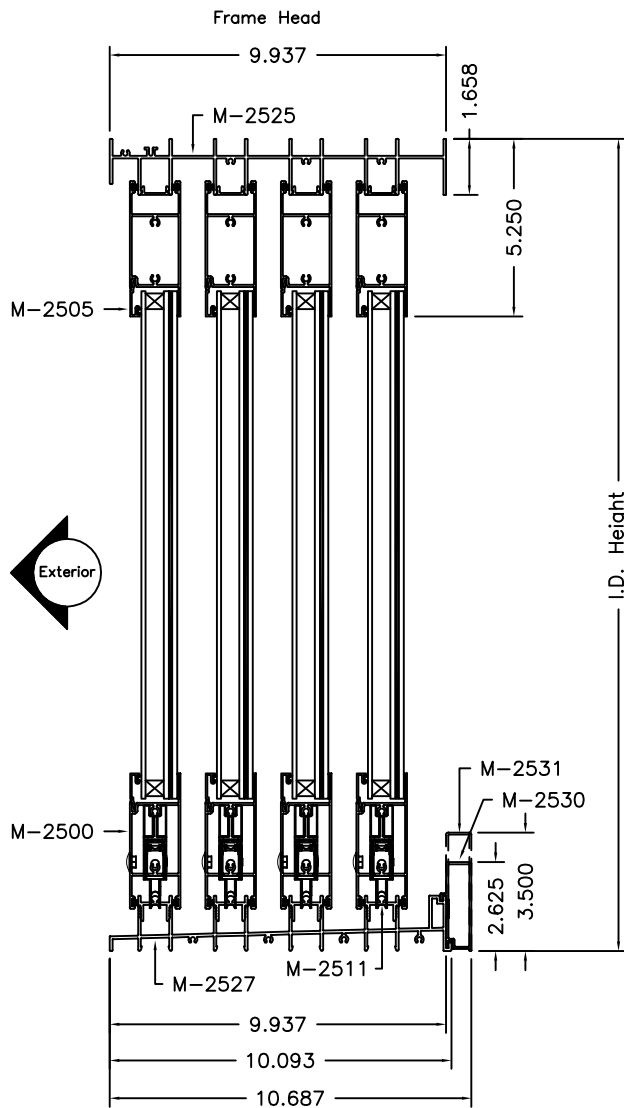
				MATERIAL: FINISH: UNSPECIFIED WALL: AREA: WEIGHT: BREAK ALL CORNERS R.015, UNLESS OTHERWISE SPECIFIED PERIMETER:		MIWD MI WINDOWS AND DOORS 650 WEST MARKET STREET GRATZ, PA 17030-0370 The information, design or data shown on this document or electronic media is the exclusive property of MI Windows and Doors, LLC. It is considered confidential and proprietary and is made available for limited use only. Its use or reproduction without the expressed written consent of MI Windows and Doors, LLC., is prohibited.		DESCRIPTION: Cross Sectional Drawing, IG Impact 3-Track, XIO, Flange Frame PRODUCT: 130 DATE: 12/06/16 SCALE: 1 : 4 PART NUMBER: DFTM: T.C. DRAWING NUMBER: CS-000508	
LTR	ECN #	REVISIONS	DATE	BY					



XIO shown, OIX Opposite

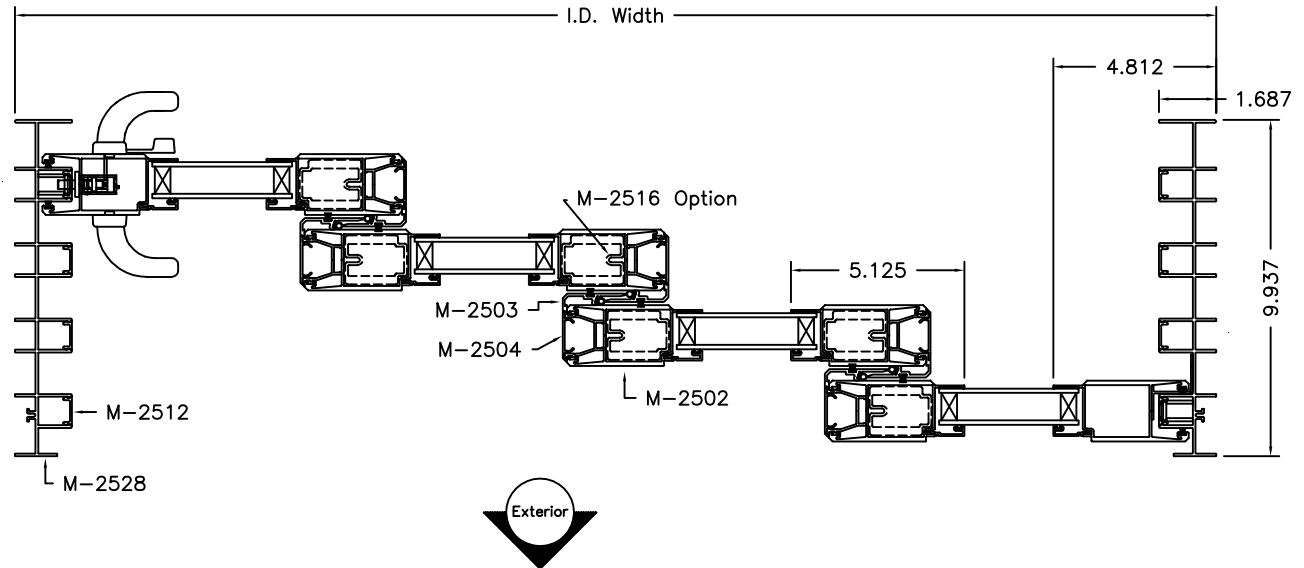
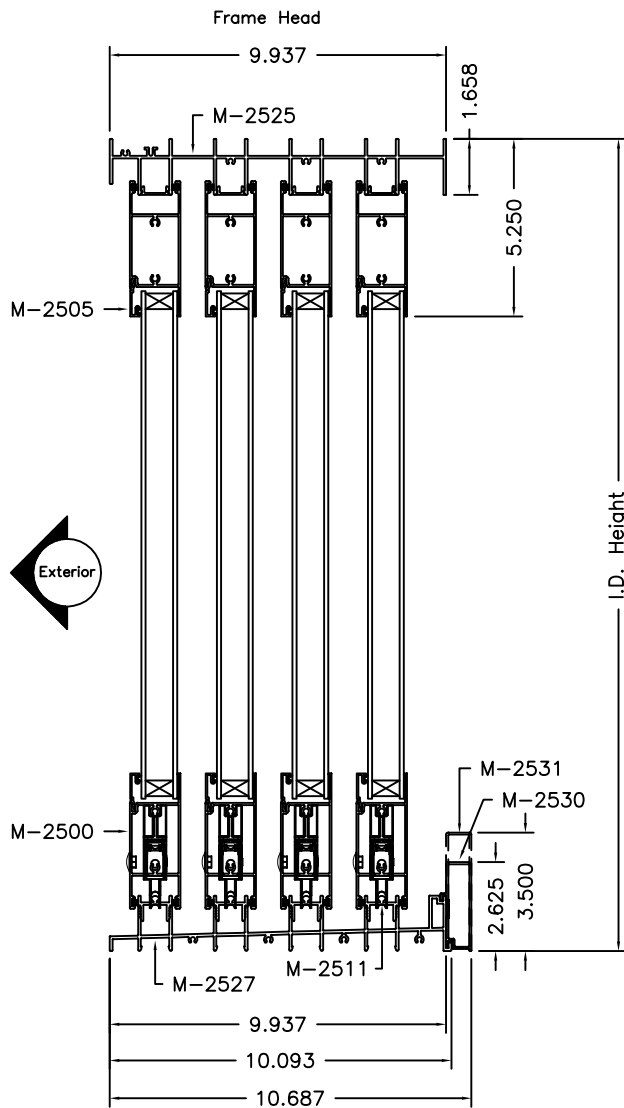
Call Size	I.D. Size	Rough Opening
7-6 x 6-8	87 3/4" x 80"	88 1/4" x 80 1/2"
9-0 x 6-8	105 3/4" x 80"	106 1/4" x 80 1/2"
12-0 x 6-8	141 3/4" x 80"	142 1/4" x 80 1/2"
7-6 x 8-0	87 3/4" x 96"	88 1/4" x 96 1/2"
9-0 x 8-0	105 3/4" x 96"	106 1/4" x 96 1/2"
12-0 x 8-0	141 3/4" x 96"	142 1/4" x 96 1/2"

				MATERIAL: FINISH: UNSPECIFIED WALL: AREA: WEIGHT: BREAK ALL CORNERS R.015, UNLESS OTHERWISE SPECIFIED PERIMETER:		 DESCRIPTION: Cross Sectional Drawing, IG Non-Impact 3-Track, XIO, Flange Frame PRODUCT: 130 DATE: 12/06/16 SCALE: 1 : 4 PART NUMBER: DFTM: T.C. DRAWING NUMBER: CS-000509	
LTR	ECN #	REVISIONS	DATE	BY			



Call Size	I.D. Size	Rough Opening
10-0 x 6-8	115 1/2" x 80"	116" x 80 1/2"
12-0 x 6-8	139 1/2" x 80"	140" x 80 1/2"
16-0 x 6-8	187 1/2" x 80"	188" x 80 1/2"
10-0 x 8-0	115 1/2" x 96"	116" x 96 1/2"
12-0 x 8-0	139 1/2" x 96"	140" x 96 1/2"
16-0 x 8-0	187 1/2" x 96"	188" x 96 1/2"

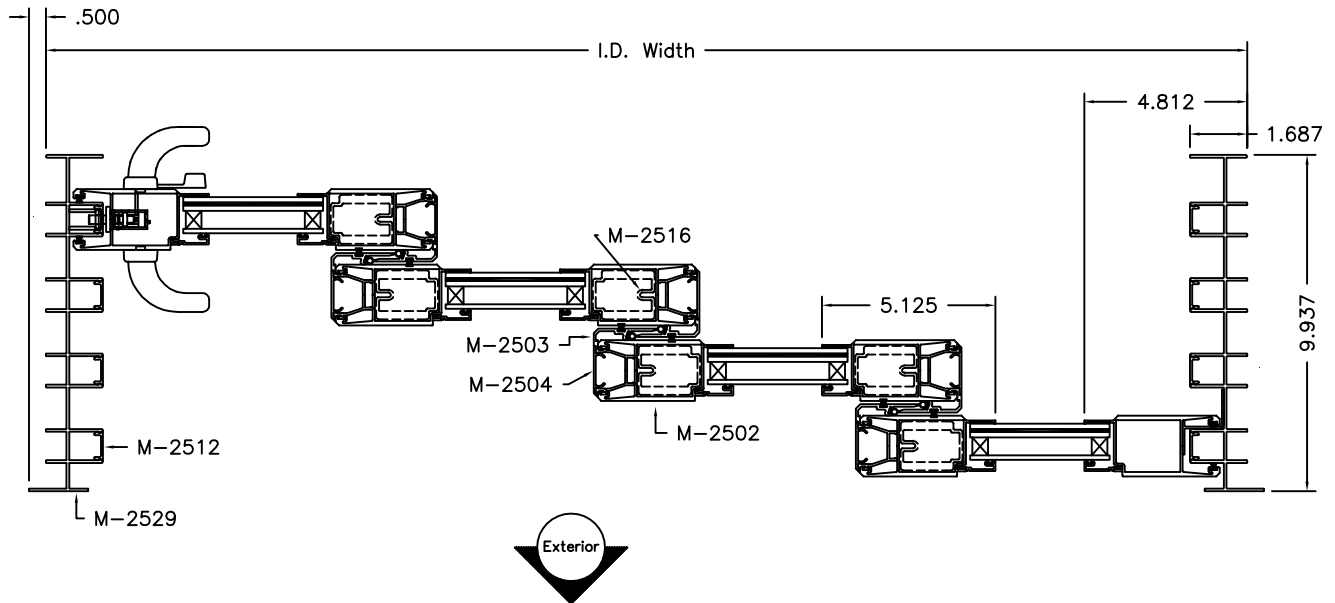
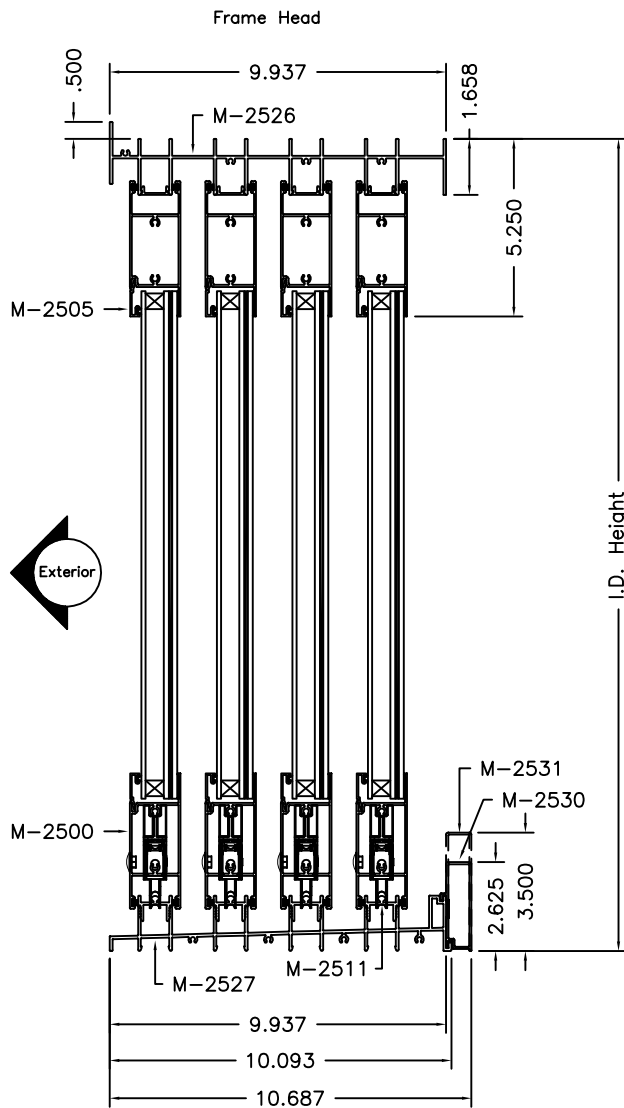
				MATERIAL: FINISH: UNSPECIFIED WALL: AREA: WEIGHT: BREAK ALL CORNERS R.015, UNLESS OTHERWISE SPECIFIED PERIMETER:		MIWD MI WINDOWS AND DOORS <small>650 WEST MARKET STREET GRATZ, PA 17030-0370</small> The information, design or data shown on this document or electronic media is the exclusive property of MI Windows and Doors, LLC. It is considered confidential and proprietary and is made available for limited use only. Its use or reproduction without the expressed written consent of MI Windows and Doors, LLC., is prohibited.		DESCRIPTION: Cross Sectional Drawing, IG Impact 4-Track, X110, Finless PRODUCT: 140 SCALE: 1 : 4 DFTM: T.C.		DATE: 12/06/16 PART NUMBER: DRAWING NUMBER: CS-000510		
LTR	ECN #	REVISIONS	DATE	BY								



XIIO shown, OIIX Opposite

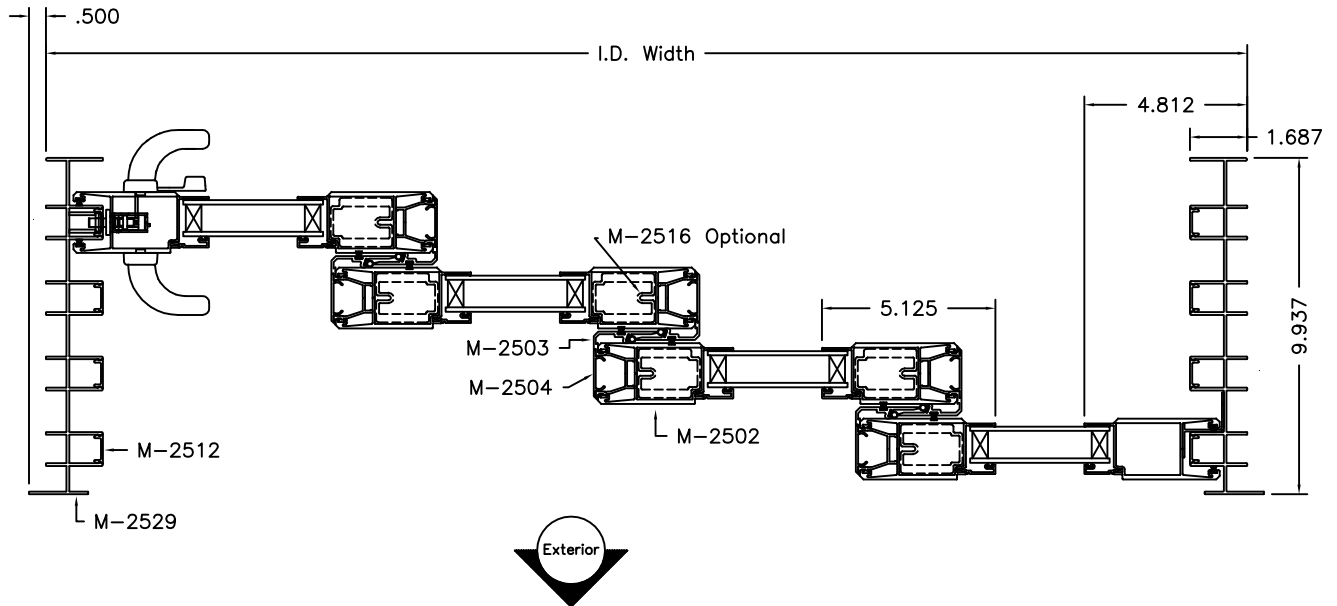
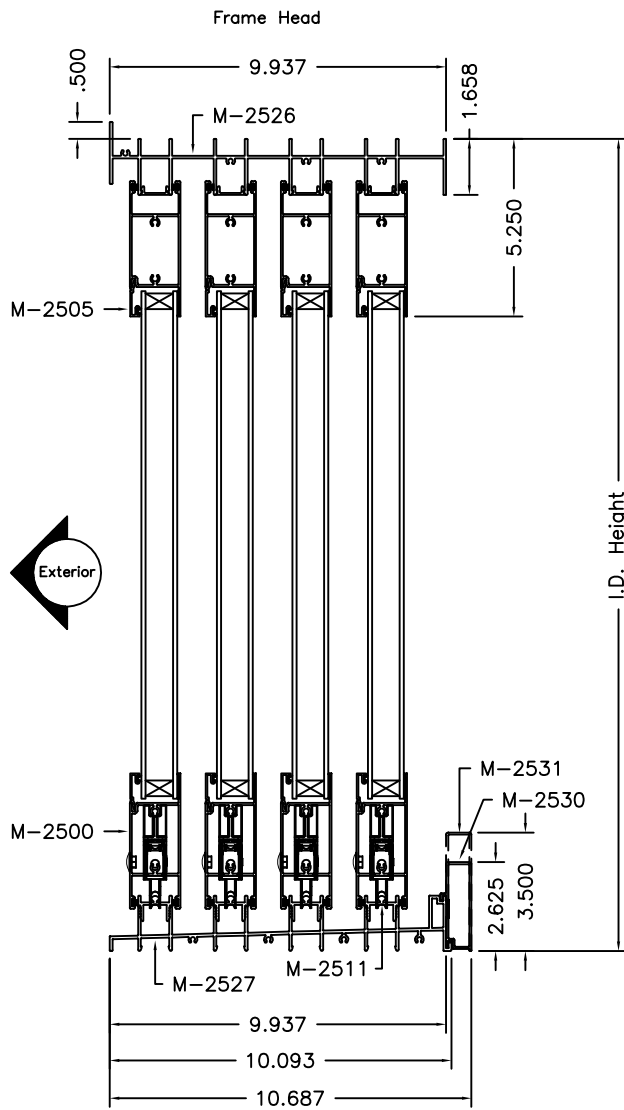
Call Size	I.D. Size	Rough Opening
10-0 x 6-8	115 1/2" x 80"	116" x 80 1/2"
12-0 x 6-8	139 1/2" x 80"	140" x 80 1/2"
16-0 x 6-8	187 1/2" x 80"	188" x 80 1/2"
10-0 x 8-0	115 1/2" x 96"	116" x 96 1/2"
12-0 x 8-0	139 1/2" x 96"	140" x 96 1/2"
16-0 x 8-0	187 1/2" x 96"	188" x 96 1/2"

				MATERIAL: FINISH: UNSPECIFIED WALL: AREA: WEIGHT: BREAK ALL CORNERS R.015, UNLESS OTHERWISE SPECIFIED PERIMETER:		MIWD MI WINDOWS AND DOORS 650 WEST MARKET STREET GRATZ, PA 17030-0370 The information, design or data shown on this document or electronic media is the exclusive property of MI Windows and Doors, LLC. It is considered confidential and proprietary and is made available for limited use only. Its use or reproduction without the expressed written consent of MI Windows and Doors, LLC., is prohibited.		DESCRIPTION: Cross Sectional Drawing, IG Non-Impact 4-Track, XIIO, Finless PRODUCT: 140 SCALE: 1 : 4 DFTM: T.C.		DATE: 12/06/16 PART NUMBER: DRAWING NUMBER: CS-000511		
LTR	ECN #	REVISIONS	DATE	BY								




Call Size	I.D. Size	Rough Opening
10-0 x 6-8	115 1/2" x 80"	116" x 80 1/2"
12-0 x 6-8	139 1/2" x 80"	140" x 80 1/2"
16-0 x 6-8	187 1/2" x 80"	188" x 80 1/2"
10-0 x 8-0	115 1/2" x 96"	116" x 96 1/2"
12-0 x 8-0	139 1/2" x 96"	140" x 96 1/2"
16-0 x 8-0	187 1/2" x 96"	188" x 96 1/2"

				MATERIAL: FINISH: UNSPECIFIED WALL: AREA: WEIGHT: BREAK ALL CORNERS R.015, UNLESS OTHERWISE SPECIFIED PERIMETER:		MIWD MI WINDOWS AND DOORS <small>650 WEST MARKET STREET GRATZ, PA 17030-0370</small> The information, design or data shown on this document or electronic media is the exclusive property of MI Windows and Doors, LLC. It is considered confidential and proprietary and is made available for limited use only. Its use or reproduction without the expressed written consent of MI Windows and Doors, LLC., is prohibited.		DESCRIPTION: Cross Sectional Drawing, IG Impact 4-Track, X110, Flange PRODUCT: 140 SCALE: 1 : 4 DFTM: T.C.		DATE: 12/06/16 PART NUMBER: DRAWING NUMBER: CS-000512	
LTR	ECN #	REVISIONS	DATE	BY							



XIIO Shown, OIIX Opposite

Call Size	I.D. Size	Rough Opening
10-0 x 6-8	115 1/2" x 80"	116" x 80 1/2"
12-0 x 6-8	139 1/2" x 80"	140" x 80 1/2"
16-0 x 6-8	187 1/2" x 80"	188" x 80 1/2"
10-0 x 8-0	115 1/2" x 96"	116" x 96 1/2"
12-0 x 8-0	139 1/2" x 96"	140" x 96 1/2"
16-0 x 8-0	187 1/2" x 96"	188" x 96 1/2"

MATERIAL:		 <small>650 WEST MARKET STREET GRATZ, PA 17030-0370</small>	DESCRIPTION: Cross Sectional Drawing, IG Non-Impact 4-Track, XIIO, Flange	
FINISH:	UNSPECIFIED WALL:		PRODUCT: 140	
AREA:	BREAK ALL CORNERS R.015, UNLESS OTHERWISE SPECIFIED		DATE: 12/06/16	
WEIGHT:			SCALE: 1 : 4	PART NUMBER:
PERIMETER:			DFTM: T.C.	DRAWING NUMBER: CS-000513
LTR	ECN #	REVISIONS	DATE	BY

The information, design or data shown on this document or electronic media is the exclusive property of MI Windows and Doors, LLC. It is considered confidential and proprietary and is made available for limited use only. Its use or reproduction without the expressed written consent of MI Windows and Doors, LLC., is prohibited.