



- Read entire instructions and make sure you have all components prior to attempting assembly and installation.
- Be sure of the overall size of the door and check rough opening to allow for  $\frac{1}{4}$ " clearance at sides and top.
- Also check the rough opening to be sure it is square and plumb.
- Installation fasteners are not provided as some areas such as Florida and Texas require fastener quantities and spacing much more stringent than those employed on a physical test unit. For fastener information, visit [www.floridabuilding.org](http://www.floridabuilding.org) or [www.tdi.texas.gov](http://www.tdi.texas.gov). Search for the series product you have.
- Main frames are pre-punched for fasteners, fasten through each pre-punched hole.
- Make sure floor is flat, level, and free of surface irregularities such as lumps in concrete.
- Two people are recommended for assembly and installation. Use proper safety equipment!
- Install in general guidelines. Refer to MI Windows and Doors website for more detailed instructions.

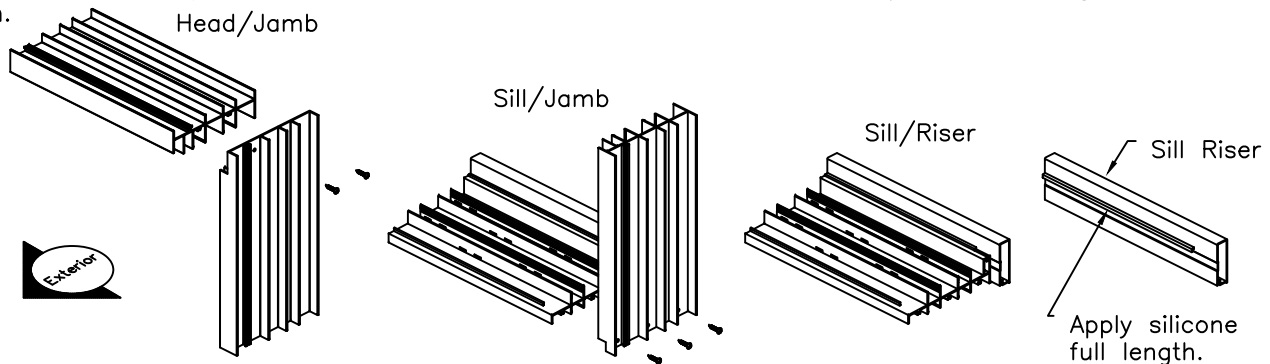
#### TOOLS REQUIRED

- Drill or screw gun with Phillips and hex drivers and masonry drill bit for masonry screws/tapcons.
- Tape measure long enough to measure frame diagonally for squareness.
- Level.
- Caulk gun and high quality sealant such as silicone, polyurethane, etc.
- #3 hand-held Phillips screwdriver for roller adjustment.
- Vacuum glazing cups are recommended for heavy panels, especially impact units.
- Air compressor with air nozzle recommended - to blow concrete dust out of sill holes.
- Rubber Mallet

#### STEP 1 - ASSEMBLE FRAME (HANDLE CAREFULLY TO AVOID DAMAGE)

- Remove outer frame parts from carton and check corner gaskets on jambs to be sure they are properly positioned.
- Inspect frame members for damage.
- Before assembling frame with #8 x  $\frac{3}{4}$ " screws, put a dab of silicone in all holes in the gaskets.
- After assembling, put another dab of silicone over screw heads and exposed screw threads.
- If sill riser is included, apply full length silicone to riser before installing onto frame sill as shown. Riser must be attached to frame sill prior to attaching pocket hook strip, if included.

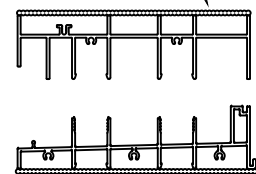
Note: The added depth of the riser must be accounted for, or there may not be enough room for full depth.



#### STEP 2 - INSTALLING FRAME IN OPENING

- Make sure rough opening is the proper size by measuring ends and center points, and is free from debris. Also insure opening is level, plumb and square.
- Dry fit frame into rough opening to insure proper clearance.
- Once frame fits opening properly, seal entire depth and length of frame sill as shown at right. Also seal over frame assembly screws.
- Set frame in opening and shim as necessary to make frame level, plumb and square. Shim at each installation holes on frame head and jambs and at keeper location to prevent distortion.
- Frame head and sill tracks must be in alignment for proper operation.
- Attach with fasteners as outlined on fastener schedule, sealing under fasteners.

Seal entire Width and Length of Frame



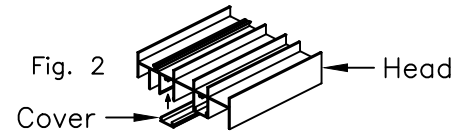
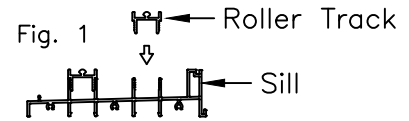
Seal entire Width and Length of Frame



**STEP 3 – INSTALLING FRAME IN OPENING**

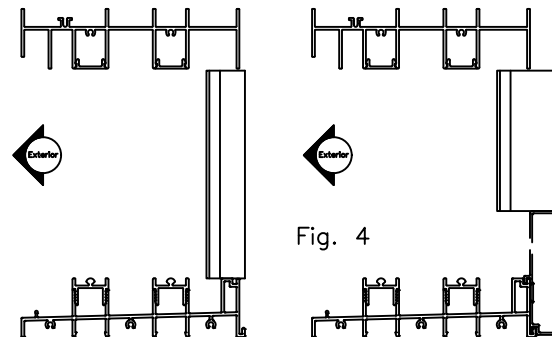
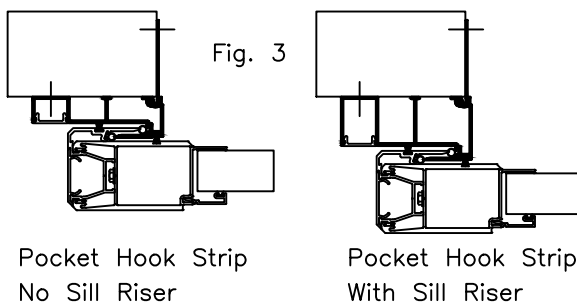
- g) After making sure all fasteners were sealed, Install roller tracks as shown at right, Fig. 1.
- h) Install main frame head screw covers as shown in Fig 2.

Note: Screw covers for frame jambs to be installed after keepers are properly located. These covers to be field cut to length after final keeper install and adjustments are made.



**STEP 4 – Pocket Preparation, Only If Pocket Door**

- a) Hook strips are not notched and must be field trimmed to the proper length as shown in Fig. 4.
- b) Attach pocket hook strips to substrate as shown in Fig. 3. Note there are two different types. One designed for use with standard frame sill and another if a sill riser is used. Refer to the Florida website documents for fastener type and spacing. Then install pocket hook strip screw covers.

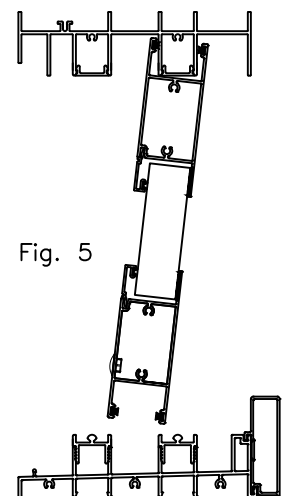


**STEP 5 – PREPARATION OF PANELS**

- a) MI Windows and Doors offers many track and panel configurations. Refer to the horizontal cross sectional drawings at the back to determine correct placement of panels in the frame. Circle the door type you are working with for quick reference.
- b) Working from the outside, determine which panel goes in the inner track and work outward. Note that glazing beads are on the exterior as well as roller adjustment holes at bottom of panels.
- c) Pre-stage the panels so that you will be looking at the exterior of the panels, glazing beads outward, roller adjustment holes at bottom, and with interlocks oriented properly. Place panels so that last panel to be installed goes in the stack first, then remaining panels in order, so that the last panel will be the first to be installed.
- d) Note: Do not install roller adjustment hole plugs until all panels are installed and adjusted properly.

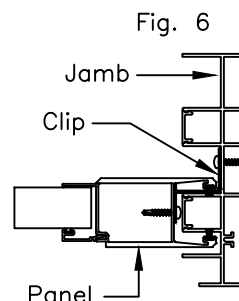
**STEP 6 – INSTALLATION OF PANELS**

- a) Lift innermost panel into the frame, straddling the innermost track as shown in Fig 5, swing bottom of panel inward, sit panel down onto innermost roller track.
- b) Install remaining panels and adjust rollers as necessary so all panels align properly with jambs and each other. To avoid damage to the roller adjustment mechanism, have an assistant lift the panel with a glass cup, or other means, to take the weight off the roller. Turn adjustment cam clockwise to lower rollers (which raises the panel).



**STEP 7 – FIXED PANEL RETAINER CLIP INSTALLATION**

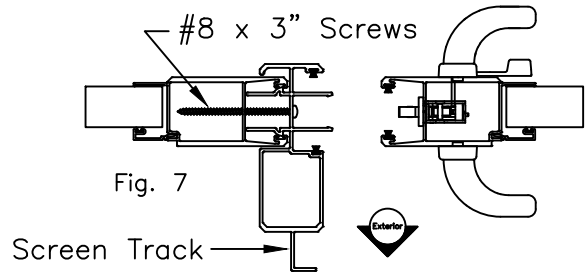
- a) "O" and "OO" Fixed Panels require fixed panel retainer clips to attach panel to frame jambs.
- b) Before sliding panel into frame jamb, attach fixed panel retainer clips for panel stile located 12" from top and bottom using #8 x 1" pan head screws as shown in Fig. 6.
- c) Install frame jamb filler into jamb track. Gently slide fixed panel toward frame jamb until fixed panel clip touches the frame jamb. Attach clip to frame jamb using # 8 x 1" pan head screws.





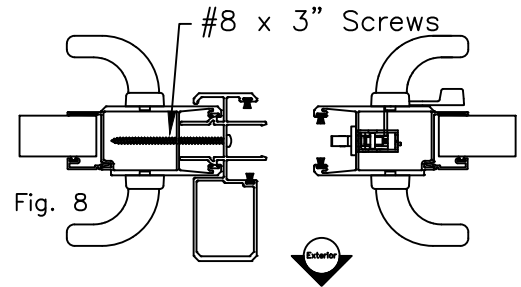
**STEP 8 – INSTALLING ASTRAGAL (OXO Only)**

- After installing OO (Fixed) panel, orient astragal as shown in Fig. 7 with screen track outward and sloped end at bottom.
- With a rubber mallet, pound astragal onto panel until snap legs catch.
- Astragal is pre-drilled. Using these holes as a guide, drill  $\frac{1}{8}$ " diameter holes in the panel.
- Attach Astragal to panel using #8 x 3" screws.



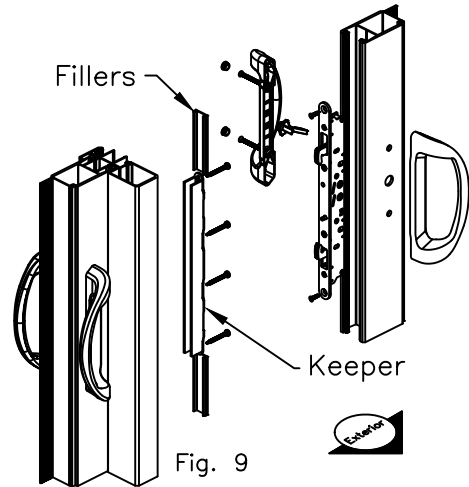
**STEP 9 – INSTALLING PANEL ADAPTER, Bi-Parting Doors**

- Orient adapter as shown in Fig. 8 with even gap at top and bottom.
- With a rubber mallet, pound adapter onto panel until snap legs catch.
- Adapter is pre-drilled. Using these holes as a guide, drill  $\frac{1}{8}$ " diameter hole in the panel.
- Attach adapter to panel using #8 x 3" screws.



**STEP 10 – INSTALLING LOCK PULLS**

- Note that lock is installed into the panel at the factory and that holes are pre-drilled for the pulls.
- Attach pulls as shown in Fig. 9 using hardware provided in the plastic bag.

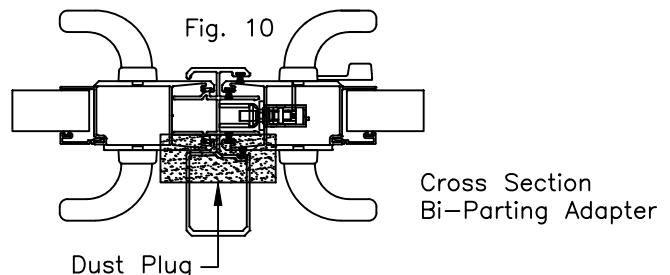
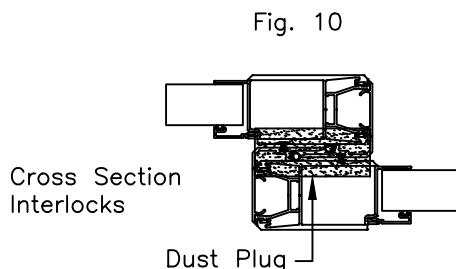


**STEP 11 – INSTALLING KEEPERS AND FILLERS**

- Frame jambs, panel astragal and panel adapter have pre-punched dimples to locate keeper. Using screws provided in the keeper bag, attach keeper. Snug fit only until adjustments are made.
- Close panel and lock to insure lock to keeper engagement. Adjust keeper up or down until lock engages the keeper.
- If needed, lock throw can be adjusted.
- Install vertical track fillers. Fillers for keeper track must be field cut to fit as shown in Fig. 9.
- Once panels are adjusted properly, and lock/interlock correctly, install plastic plugs into panel adjustment holes.

**STEP 12 – INSTALLING DUST PLUGS**

- Install stick-on dust plugs onto frame head and frame sill directly over and under interlocks and panel adapter as shown in Fig. 10. These should be centered so as to bridge weather seals on panels and adapter.





**STEP 10 – INSTALLING SCREEN, IF AVAILABLE**

- a) From outside, lift screen into the screen track and swing bottom of the screen inward until the bottom of the screen aligns with the screen track on the frame sill AS SHOWN IN Fig. 11. Lower screen onto screen track.
- b) Adjust screen rollers and attach keeper onto the frame jamb as shown in separate instructions that came with the screen.
- c) Configurations OXXO, XIX, OIX, and XIO require a screen adapter. Attach screen adapter shown in Fig. 12 as described in separate instruction that came with the screen.

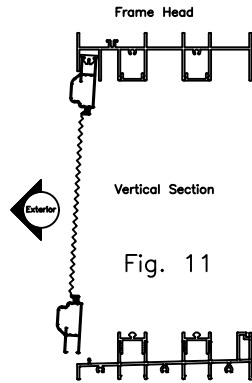


Fig. 11

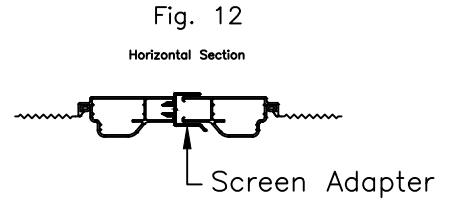


Fig. 12

Horizontal Section

**STEP 11 – INSTALLING DUST PLUGS, POCKETS**

- a) Dust plugs are used top and bottom of pocket hook strips to bridge voids in weatherstrip contacts. Place stick-on dust plugs as shown in Fig. 13.

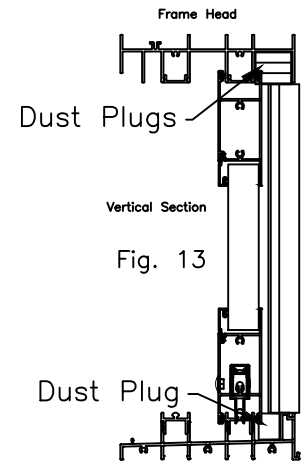


Fig. 13

**STEP 12 – INSTALLING PANEL BUMP STOPS**

- a) Panel Bump Stops are used to stop movement of panels before handle sets clash or interlocks clash. Locate bump stop 1 3/8" down from top interior of panel and in alignment with panel corner joinery as shown in Fig 14 and Fig 15. To insure no damage to glass, attach with two #8 x 1" Self Drilling screws per bump stop.
- b) Bump stops are provided in quantities as needed for all configurations.

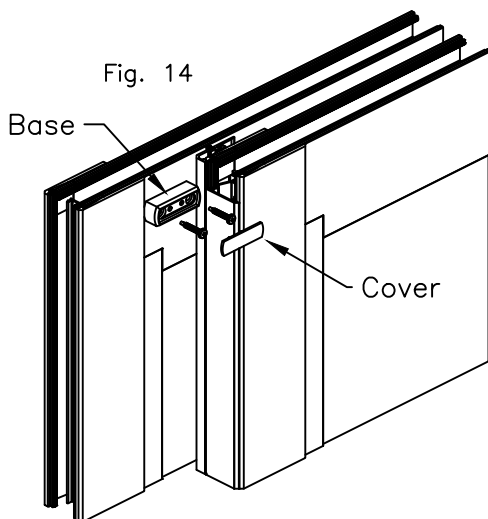


Fig. 14

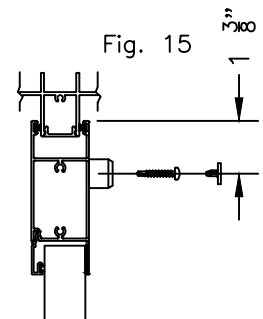
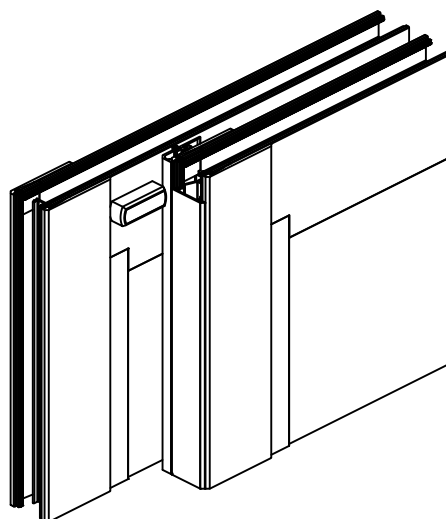


Fig. 15

