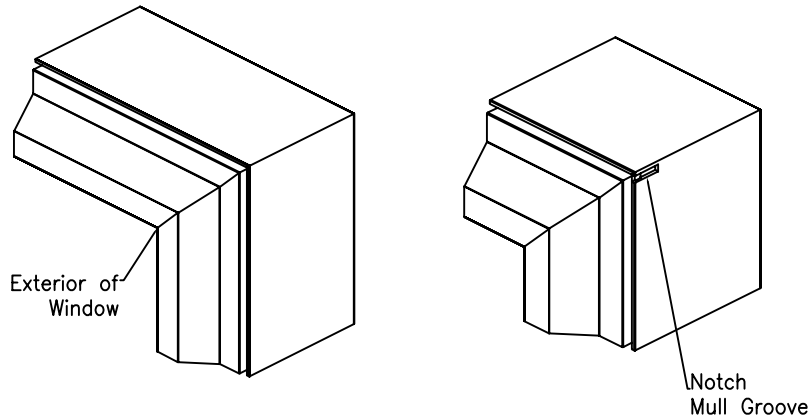
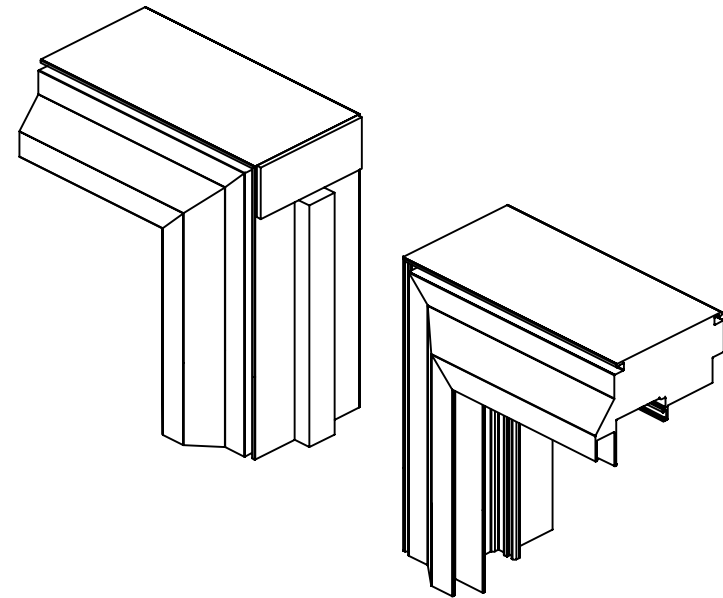


# Series 1650 Double Hung Mulling Instructions

## Step 1



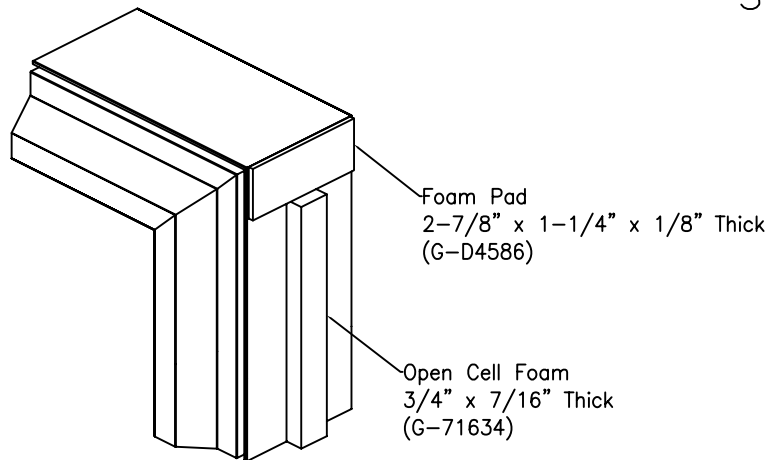
## Step 3



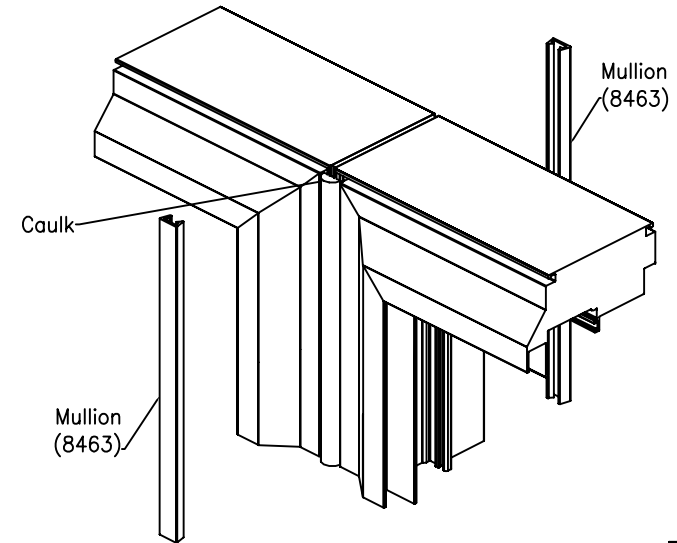
Notch mullion grooves at top for drip cap return.

Align frames.

## Step 2



## Step 4

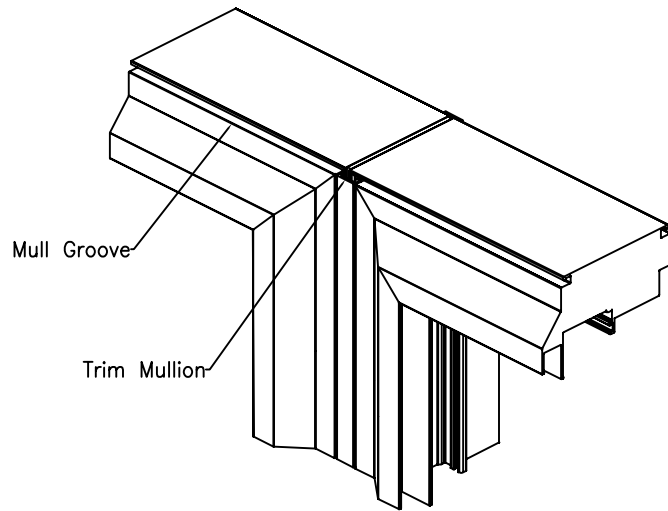


Apply (1) foam pad at top and bottom as shown.  
(Apply pads to one window only).  
Apply full length open cell foam between foam pads.  
(Apply foam to one window only).

Slide Frames together and apply inside mullion.  
Apply caulk along joint between frames.  
Apply outside mullion.

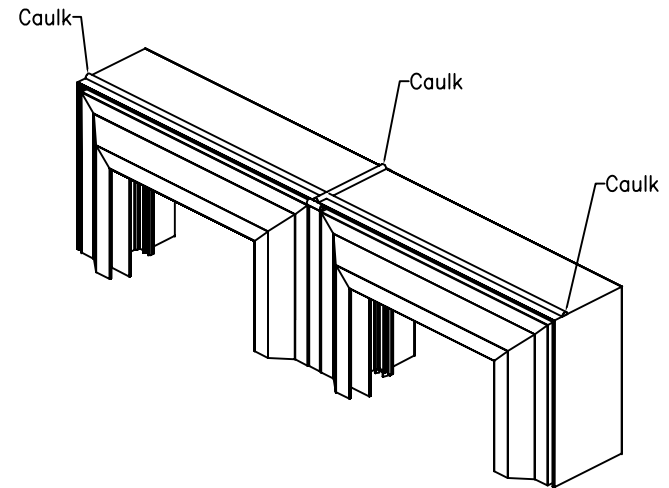
# Series 1650 Double Hung Mulling Instructions

Step 5



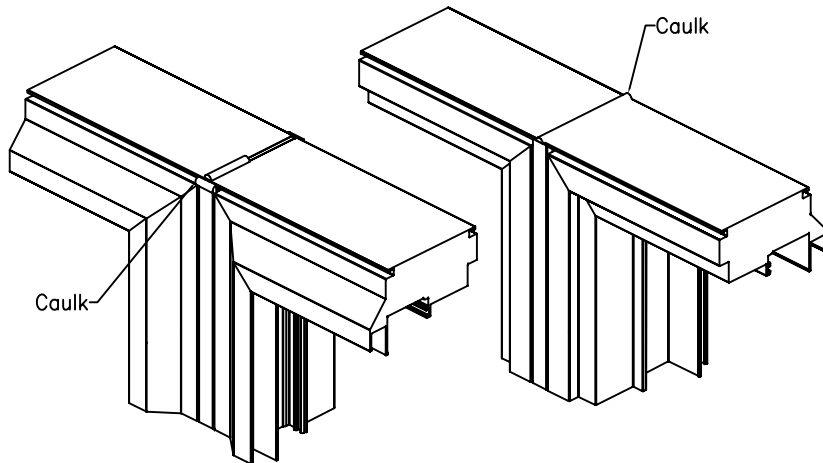
Trim outside mullion even with mull groove at the top.  
(To allow drip cap to be installed).  
Trim outside mullion even with the sill at the bottom.

Step 7



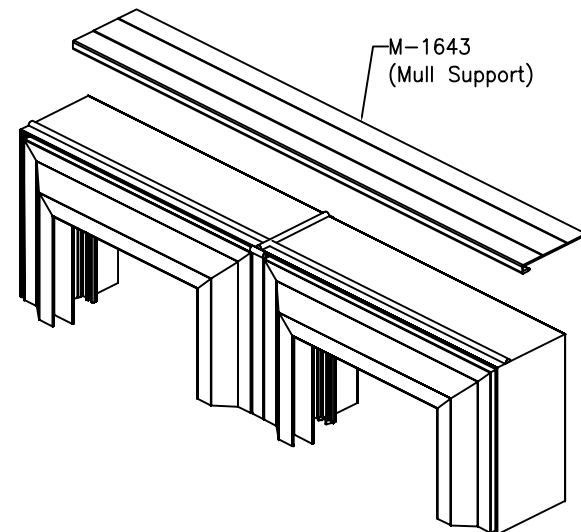
**IMPORTANT:** Use a quality exterior grade silicone caulk. Apply a 1/4" bead of caulk across head of both windows as shown, before applying drip cap (Approx. 1/4" away from outside edge of frame). Apply caulk across ends of frames.

Step 6



**IMPORTANT:** Use a quality silicone when caulking.  
Apply caulk across joint where frames meet. (Head & Sill)  
Apply caulk into mull grooves and across top of mull.

Step 8



Apply continuous drip cap to head.